



US00D888772S

(12) **United States Design Patent**
Sato et al.

(10) **Patent No.:** **US D888,772 S**

(45) **Date of Patent:** **** Jun. 30, 2020**

(54) **FLUID PRESSURE CYLINDER**

(71) Applicant: **SMC CORPORATION**, Tokyo (JP)

(72) Inventors: **Soichi Sato**, Kashiwa (JP); **Ken Tamura**, Noda (JP); **Tsukasa Odaka**, Tsukubamirai (JP); **Kenta Onuki**, Tsukuba (JP)

(73) Assignee: **SMC CORPORATION**, Tokyo (JP)

(**) Term: **15 Years**

(21) Appl. No.: **29/678,138**

(22) Filed: **Jan. 25, 2019**

(30) **Foreign Application Priority Data**

Aug. 3, 2018 (JP) 2018-017075
Aug. 3, 2018 (JP) 2018-017076

(51) **LOC (12) Cl.** **15-02**

(52) **U.S. Cl.**
USPC **D15/7**

(58) **Field of Classification Search**
USPC D15/7-9; D23/231, 232, 225
CPC F02M 37/04; F02M 31/14; F04D 29/4286;
F15B 15/149; F15B 15/16; F15B
15/1414; F15B 14/1919; F15B 15/26
See application file for complete search history.

(56) **References Cited**

U.S. PATENT DOCUMENTS

D295,753 S * 5/1988 LaBair D15/7
D301,583 S * 6/1989 Herner D15/7
D303,393 S * 9/1989 Stoll D15/7
D370,683 S * 6/1996 Stahlman D15/7
D378,214 S * 2/1997 Ikumi D15/143
D378,680 S * 4/1997 Ikumi D15/7
D380,217 S * 6/1997 Jermeay D15/5
D408,420 S * 4/1999 Buter D15/7

D417,457 S * 12/1999 Asahara D15/7
D420,683 S * 2/2000 Suzuki D15/7
D428,617 S * 7/2000 Hariwara D15/7

(Continued)

FOREIGN PATENT DOCUMENTS

JP 1178954 S 7/2003

Primary Examiner — Mitchell I. Siegel

(74) *Attorney, Agent, or Firm* — Birch, Stewart, Kolasch & Birch, LLP

(57) **CLAIM**

The ornamental design for a fluid pressure cylinder, as shown and described.

DESCRIPTION

FIG. 1 is a front, top and left side perspective view of a fluid pressure cylinder showing a first embodiment of our new design;

FIG. 2 is a rear, bottom and right side perspective view thereof;

FIG. 3 is a front view thereof;

FIG. 4 is a rear view thereof;

FIG. 5 is a top plan view thereof;

FIG. 6 is a bottom plan view thereof;

FIG. 7 is a left side view thereof;

FIG. 8 is a right side view thereof;

FIG. 9 is a front, top and left side perspective view of a fluid pressure cylinder showing a second embodiment of our new design;

FIG. 10 is a rear, bottom and right side perspective view of FIG. 9;

FIG. 11 is a front view of FIG. 9;

FIG. 12 is a rear view of FIG. 9;

FIG. 13 is a top plan view of FIG. 9;

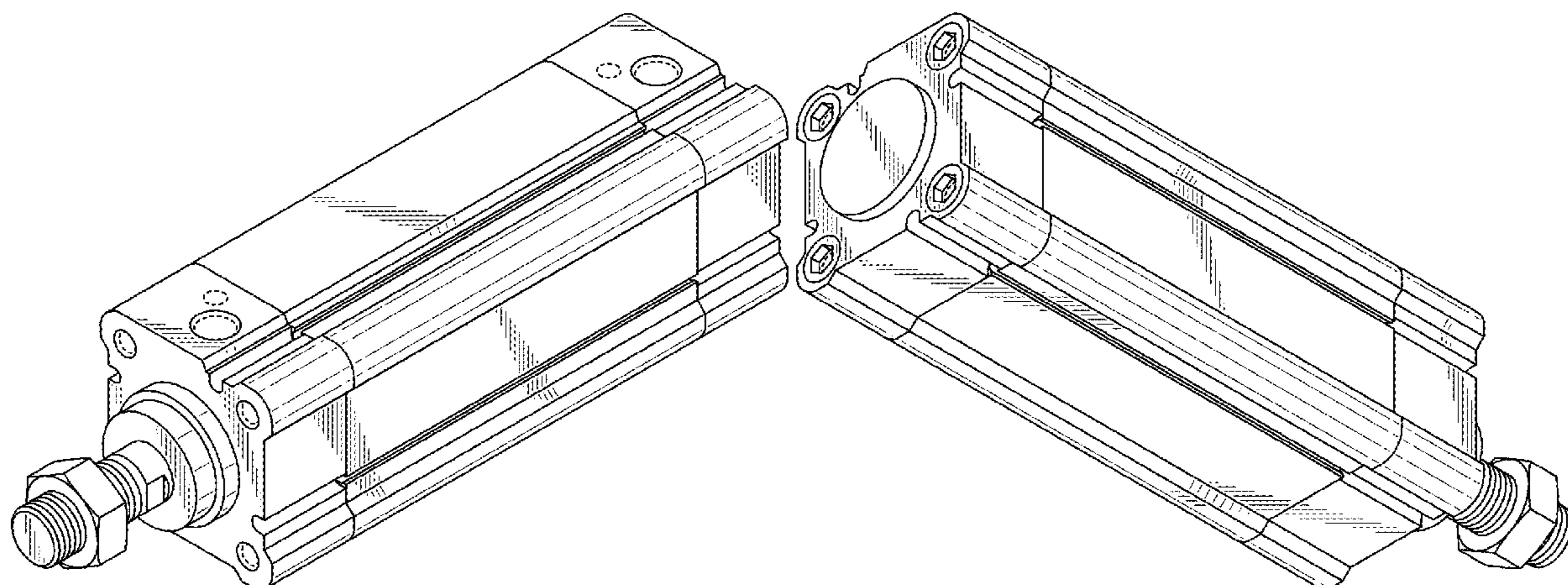
FIG. 14 is a bottom plan view of FIG. 9;

FIG. 15 is a left side view of FIG. 9; and,

FIG. 16 is a right side view of FIG. 9.

The broken lines depict portions of the fluid pressure cylinder that form no part of the claimed design.

1 Claim, 16 Drawing Sheets



(56)

References Cited

U.S. PATENT DOCUMENTS

D480,405	S	10/2003	Kleffmann et al.	
D572,282	S *	7/2008	Yaegashi	D15/143
D584,324	S *	1/2009	Yaegashi	D15/143
D643,855	S *	8/2011	Taniguchi	D15/7
D643,856	S *	8/2011	Taniguchi	D15/7
D669,097	S *	10/2012	Hariwara	D15/7
D669,098	S *	10/2012	Hariwara	D15/7
D682,901	S *	5/2013	Peschel	D15/143
D699,759	S *	2/2014	Peschel	D15/7
D699,760	S *	2/2014	Peschel	D15/7
D699,761	S *	2/2014	Peschel	D15/7
D757,120	S *	5/2016	Kudo	D15/7
D760,805	S *	7/2016	Monden	D15/7
D772,302	S *	11/2016	Kudo	D15/7
D780,228	S *	2/2017	Kudo	D15/7
D780,229	S *	2/2017	Kudo	D15/7
D805,559	S *	12/2017	Kudo	D15/7
D805,560	S *	12/2017	Kudo	D15/7
D819,700	S *	6/2018	Kudo	D15/7
D820,321	S *	6/2018	Kudo	D15/7
D825,616	S *	8/2018	Monden	D15/9
D826,285	S *	8/2018	Yaegashi	D15/9
D861,041	S *	9/2019	Morita	D15/7
D861,042	S *	9/2019	Morita	D15/7
D867,399	S *	11/2019	Morita	D15/7
D869,511	S *	12/2019	Iwama	D15/9
2017/0298931	A1 *	10/2017	Kudo	F15B 15/2861
2019/0195248	A1 *	6/2019	Kudo	F15B 15/1428

* cited by examiner

FIG. 1

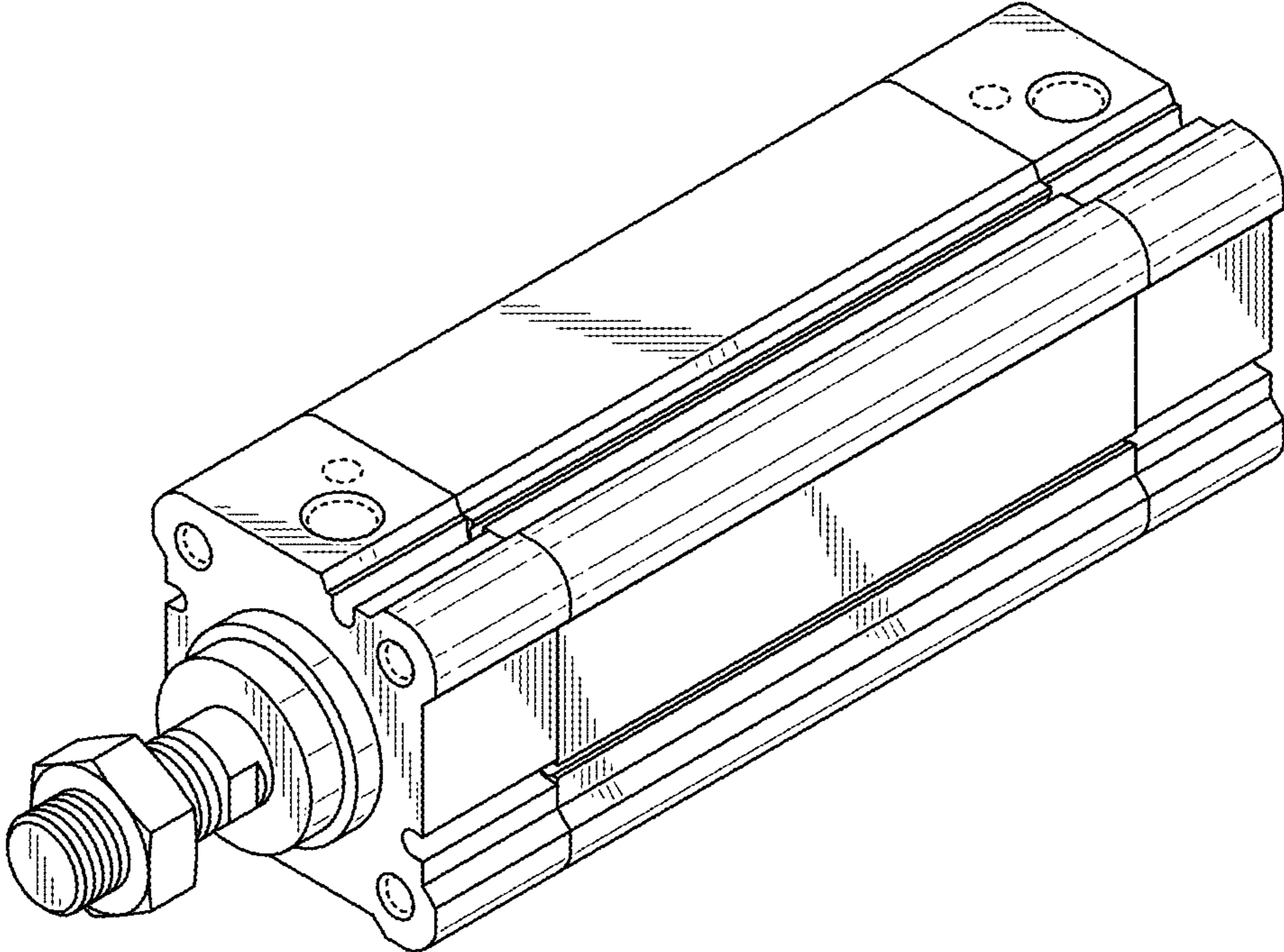


FIG. 2

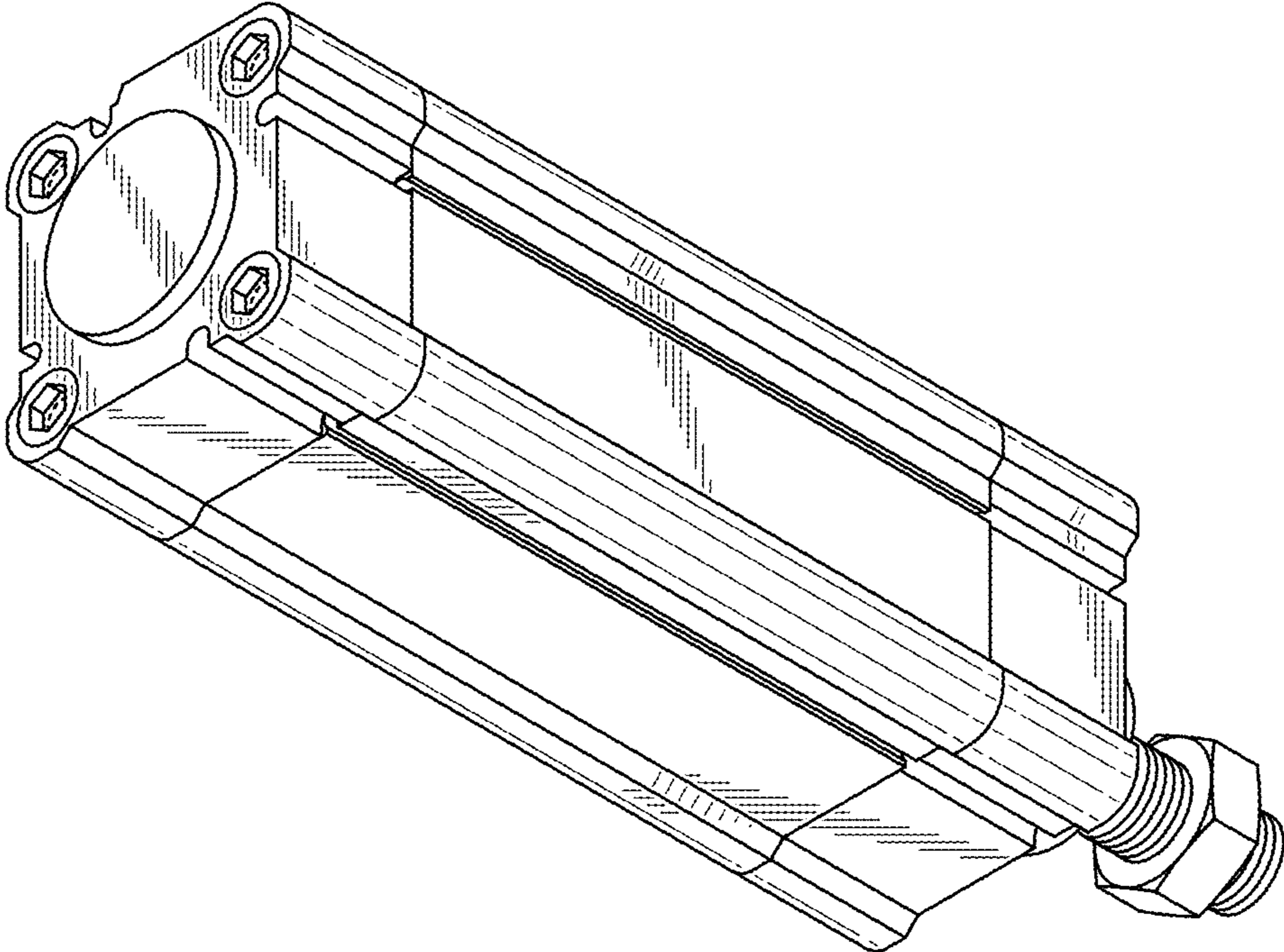


FIG. 3

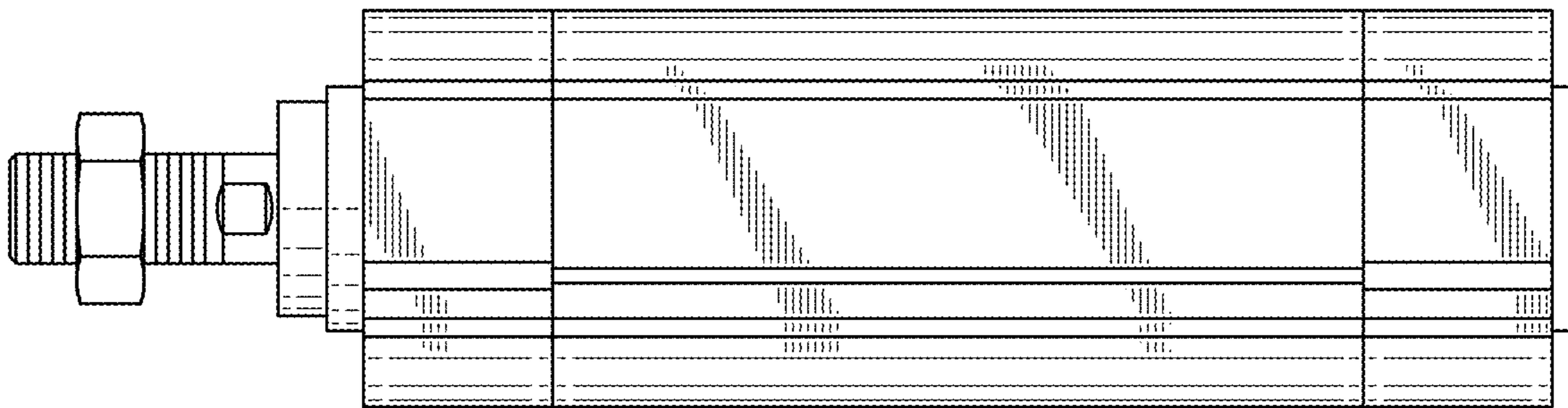


FIG. 4

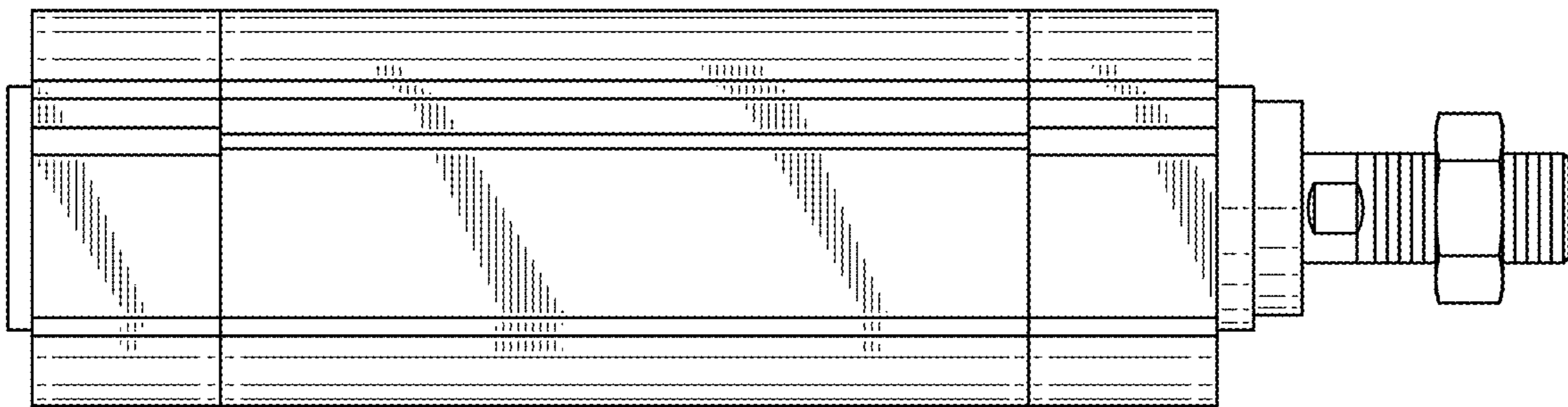


FIG. 5

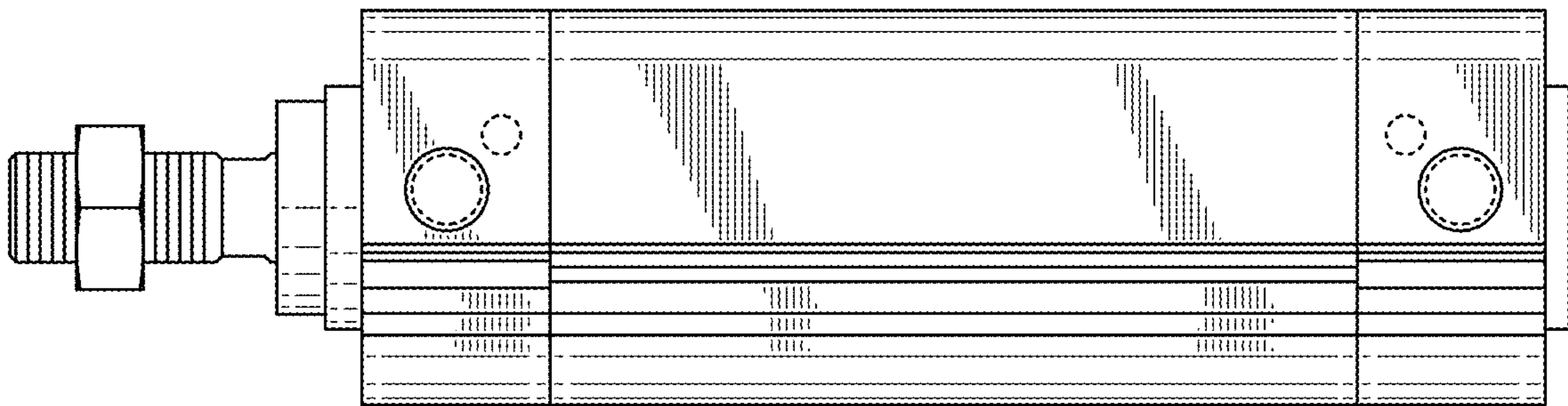


FIG. 6

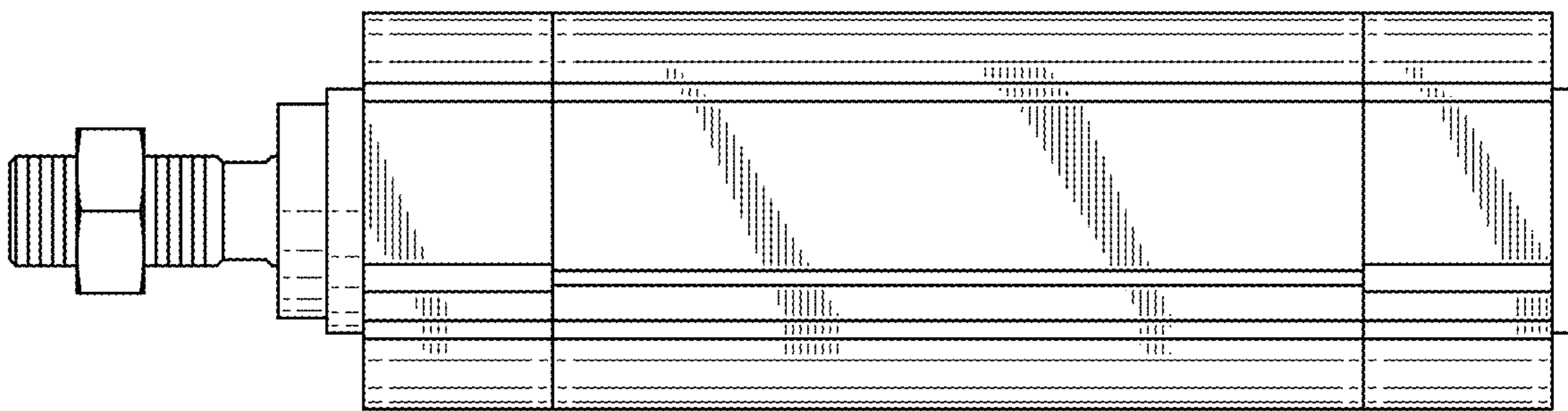


FIG. 7

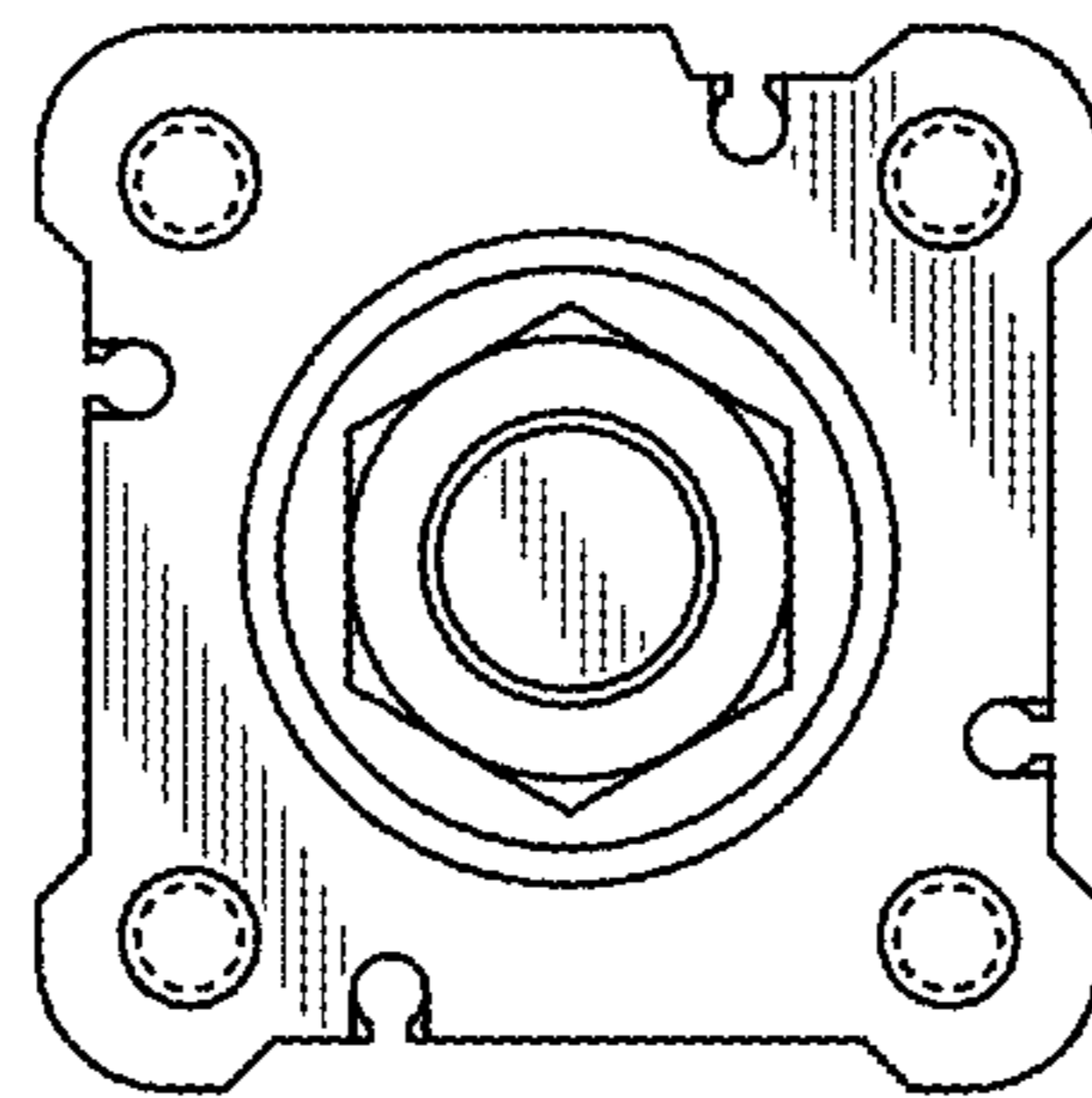


FIG. 8

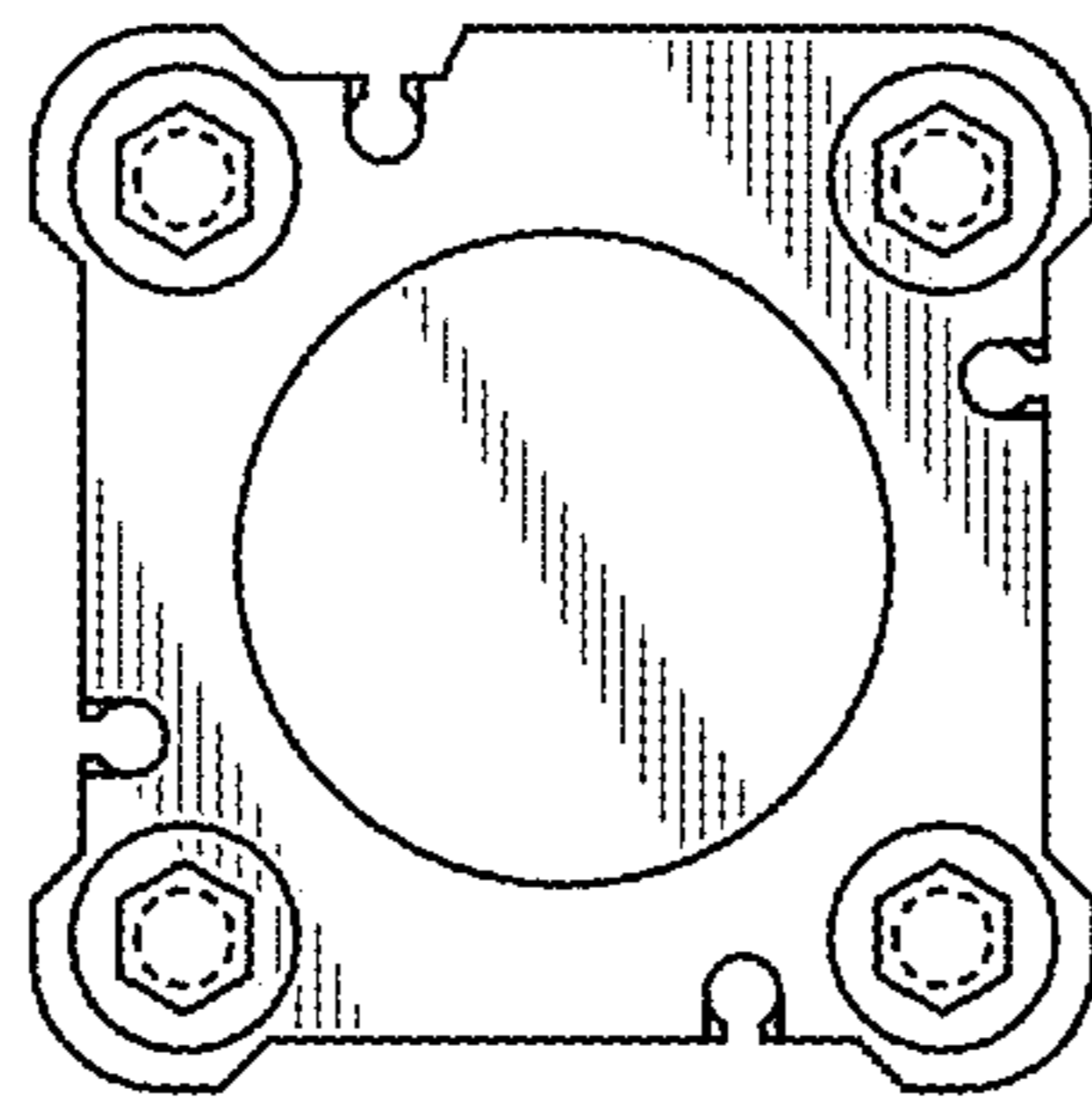


FIG. 9

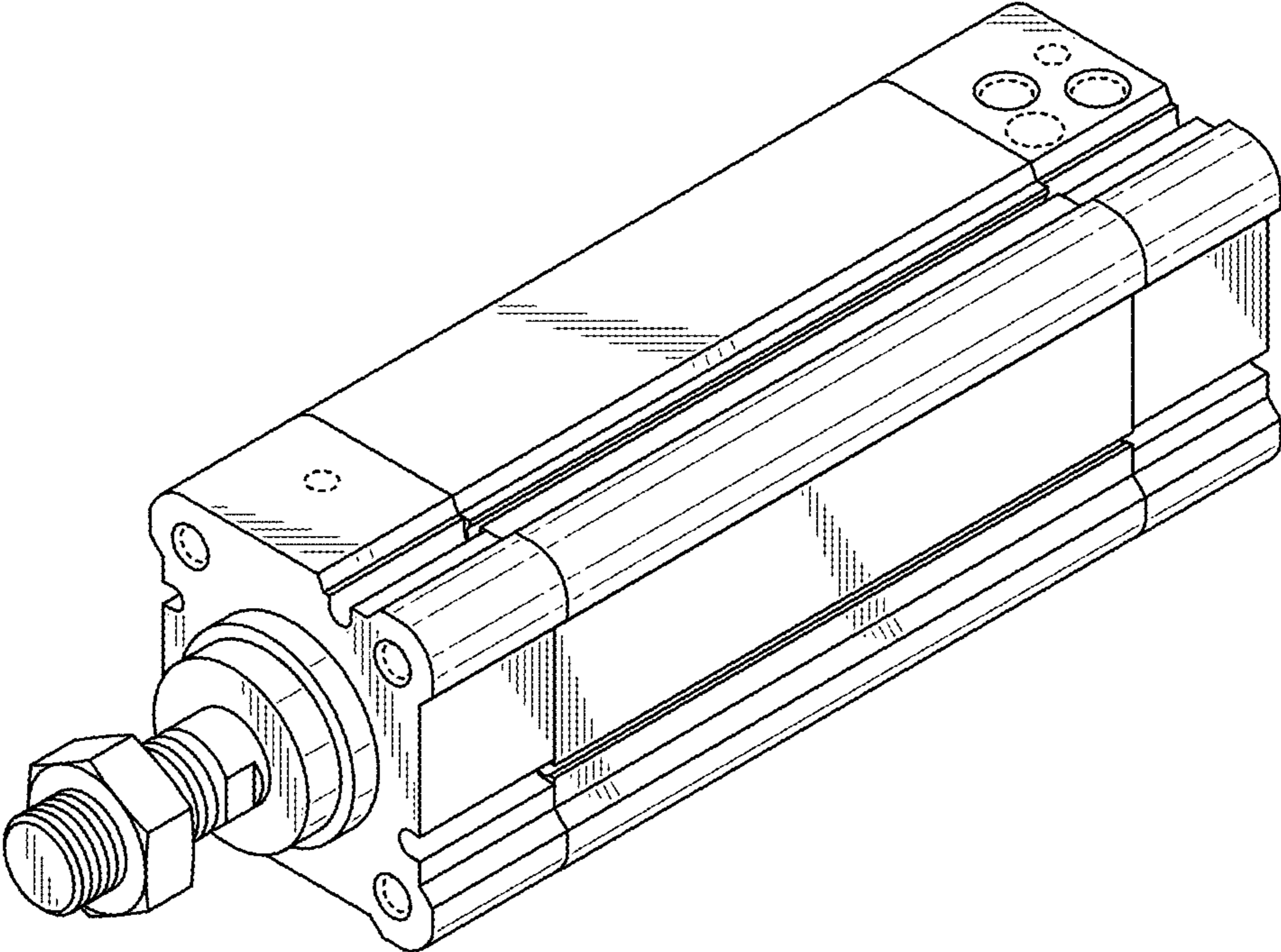


FIG. 10

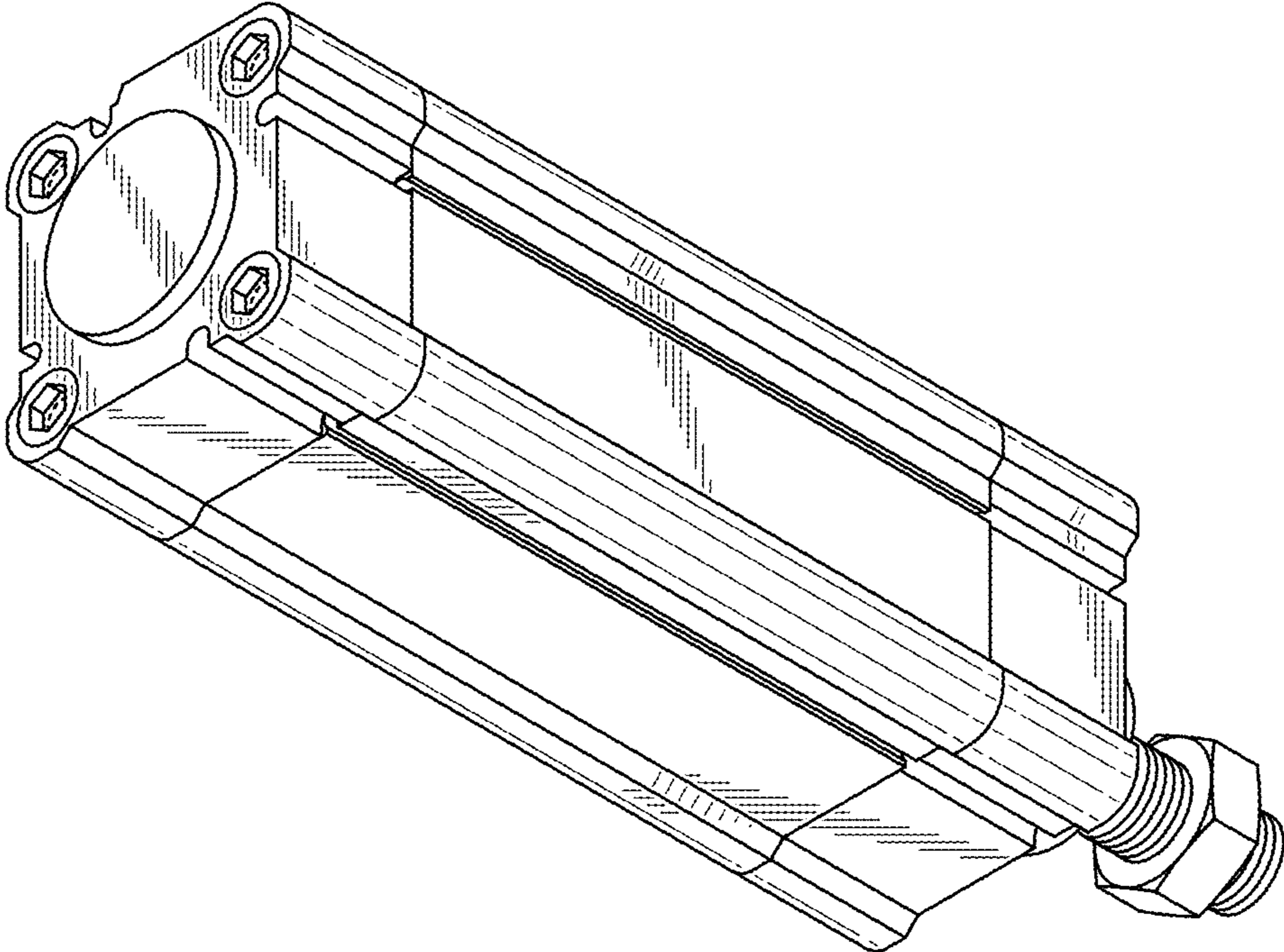


FIG. 11

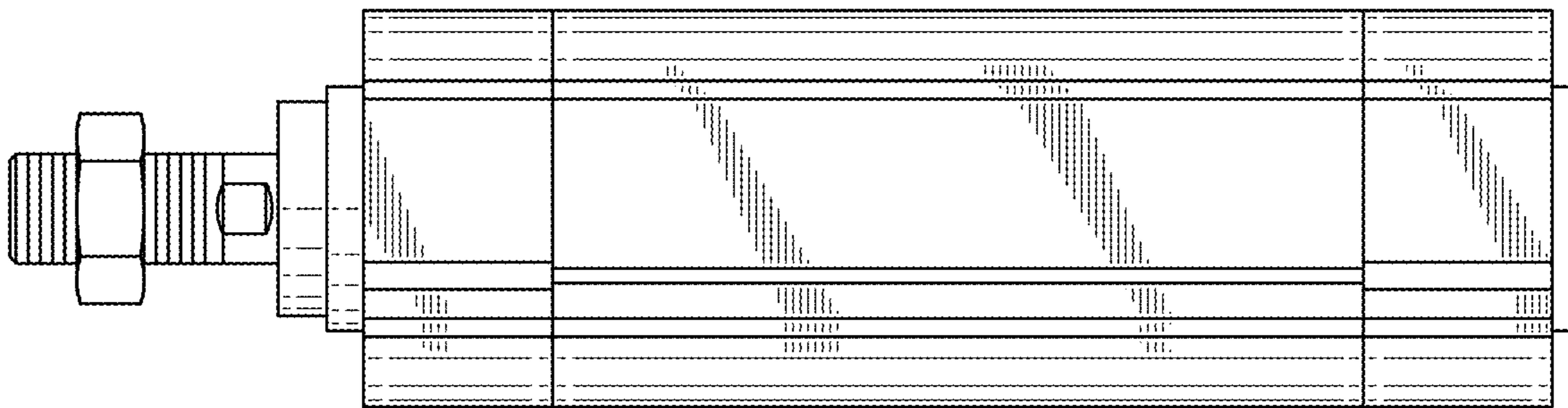


FIG. 12

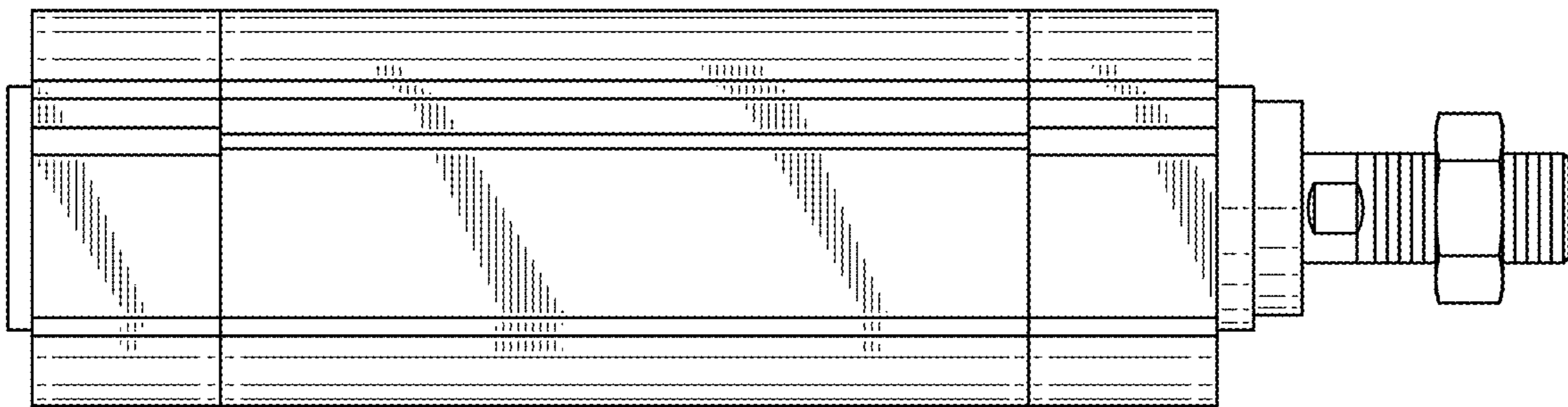


FIG. 13

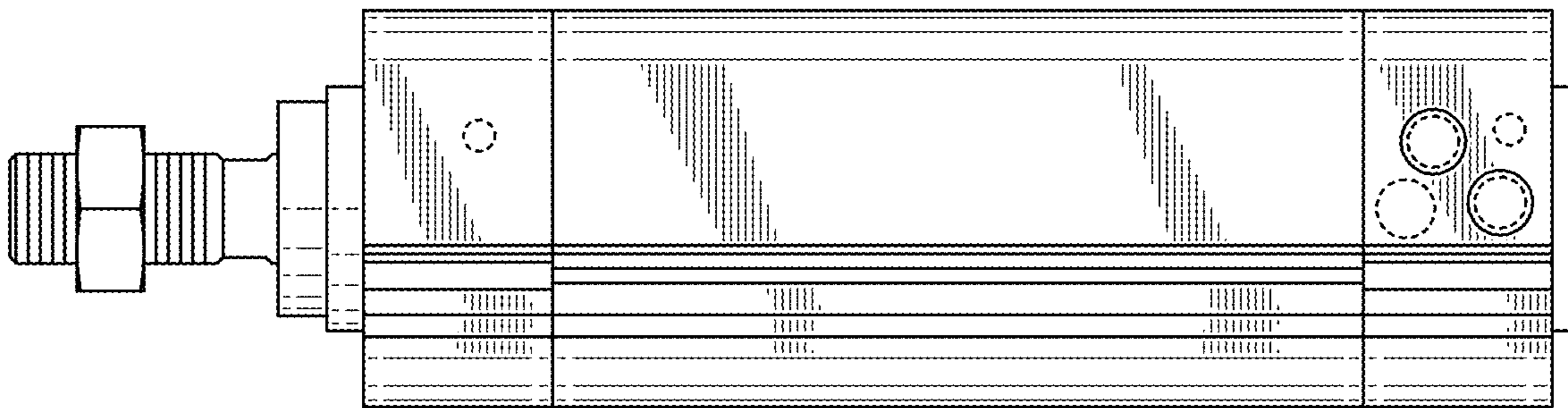


FIG. 14

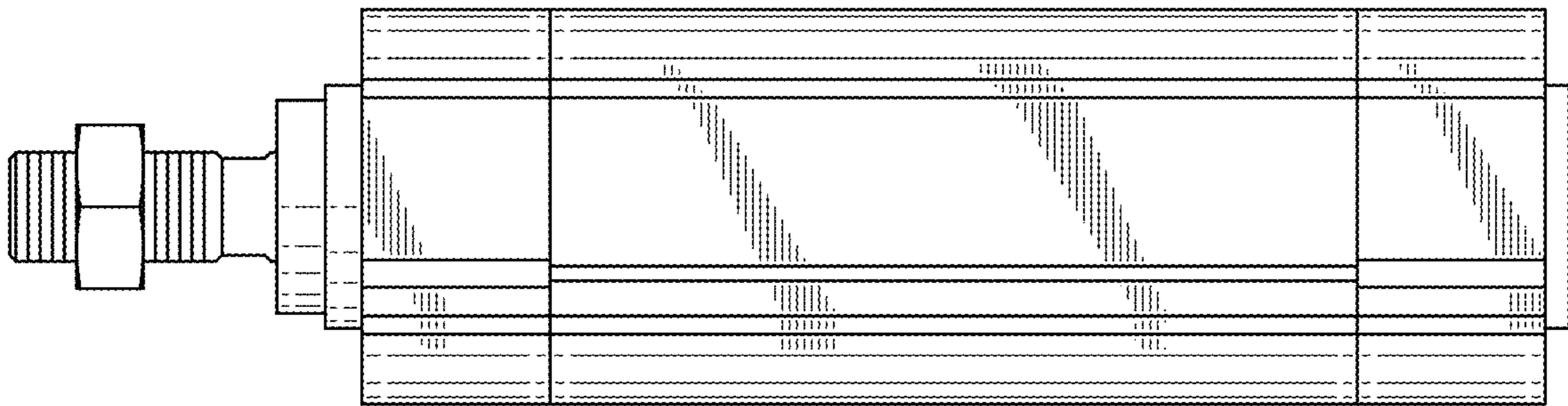


FIG. 15

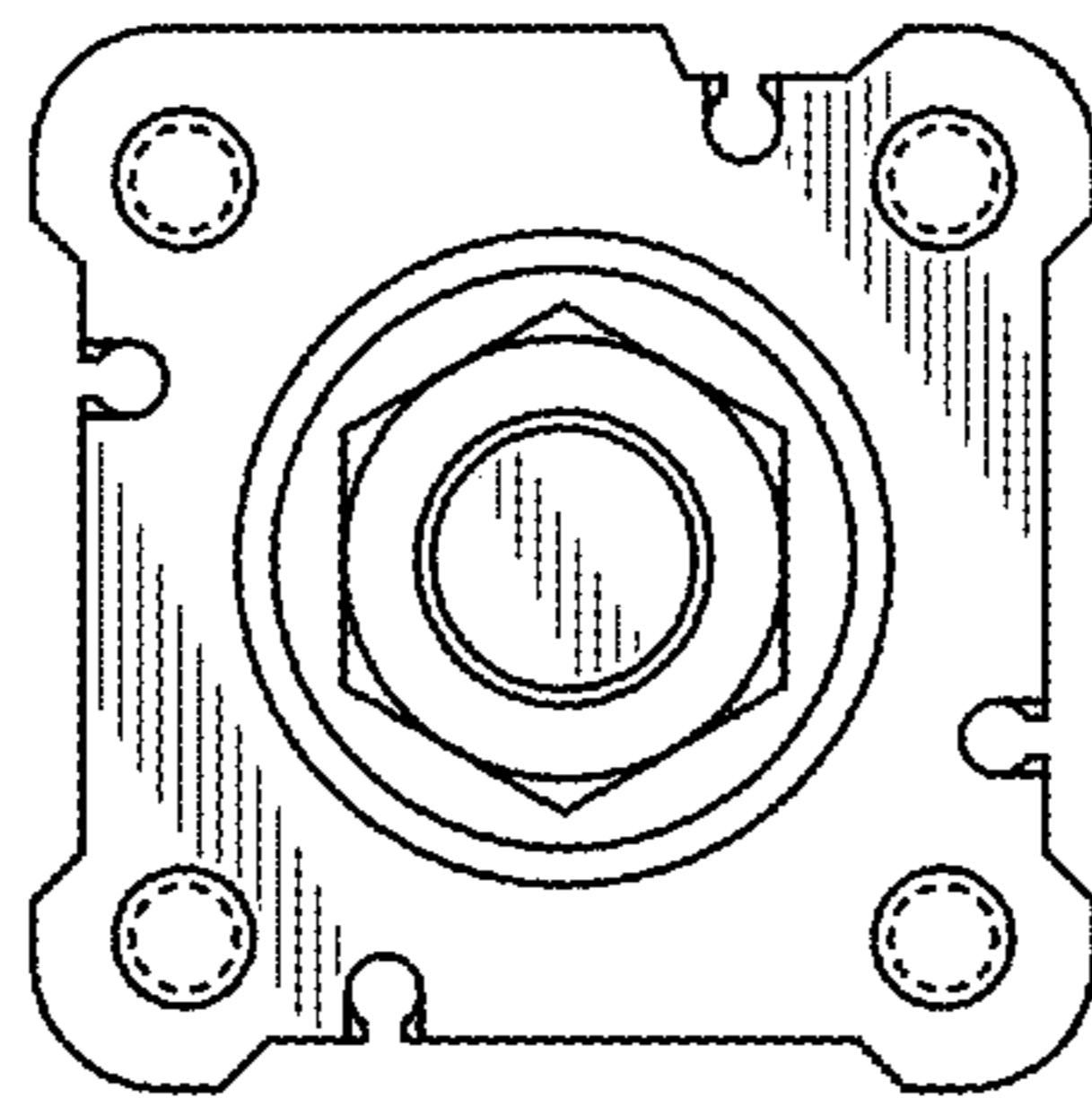


FIG. 16

