



US00D888771S

(12) **United States Design Patent**
Mizutani et al.

(10) **Patent No.:** **US D888,771 S**
(45) **Date of Patent:** **** Jun. 30, 2020**

(54) **FLUID PRESSURE CYLINDER**
(71) Applicant: **SMC CORPORATION**, Tokyo (JP)
(72) Inventors: **Yuu Mizutani**, Tsukubamirai (JP);
Masahiko Kawakami, Tsukubamirai (JP);
Sho Aso, Tsukubamirai (JP);
Shinichiro Nemoto, Tsukubamirai (JP);
Masayuki Kudo, Tsukubamirai (JP);
Kengo Monden, Ushiku (JP)

D417,457 S * 12/1999 Asahara D15/7
D420,683 S * 2/2000 Suzuki D15/7
D428,617 S * 7/2000 Hariwara D15/7
D572,282 S * 7/2008 Yaegashi D15/143
D584,324 S * 1/2009 Yaegashi D15/143
D643,855 S * 8/2011 Taniguchi D15/7
D643,856 S * 8/2011 Taniguchi D15/7
D669,097 S * 10/2012 Hariwara D15/7
D669,098 S * 10/2012 Hariwara D15/7
D682,901 S * 5/2013 Peschel D15/143

(Continued)

(73) Assignee: **SMC CORPORATION**, Tokyo (JP)
(**) Term: **15 Years**
(21) Appl. No.: **29/678,136**
(22) Filed: **Jan. 25, 2019**
(30) **Foreign Application Priority Data**

FOREIGN PATENT DOCUMENTS

CN 304699600 S 6/2018
JP 1110350 S 6/2001
JP 1575593 S 5/2017

Primary Examiner — Mitchell I. Siegel

(74) *Attorney, Agent, or Firm* — Birch, Stewart, Kolasch & Birch, LLP

Aug. 30, 2018 (JP) 2018-018861
(51) **LOC (12) Cl.** **15-02**
(52) **U.S. Cl.**
USPC **D15/7**
(58) **Field of Classification Search**
USPC D15/7-9; D23/231, 232, 225
CPC F02M 37/04; F02M 31/14; F04D 29/4286;
F15B 15/149; F15B 15/16; F15B
15/1414; F15B 14/1919; F15B 15/26
See application file for complete search history.

(57) **CLAIM**

The ornamental design for a fluid pressure cylinder, as shown and described.

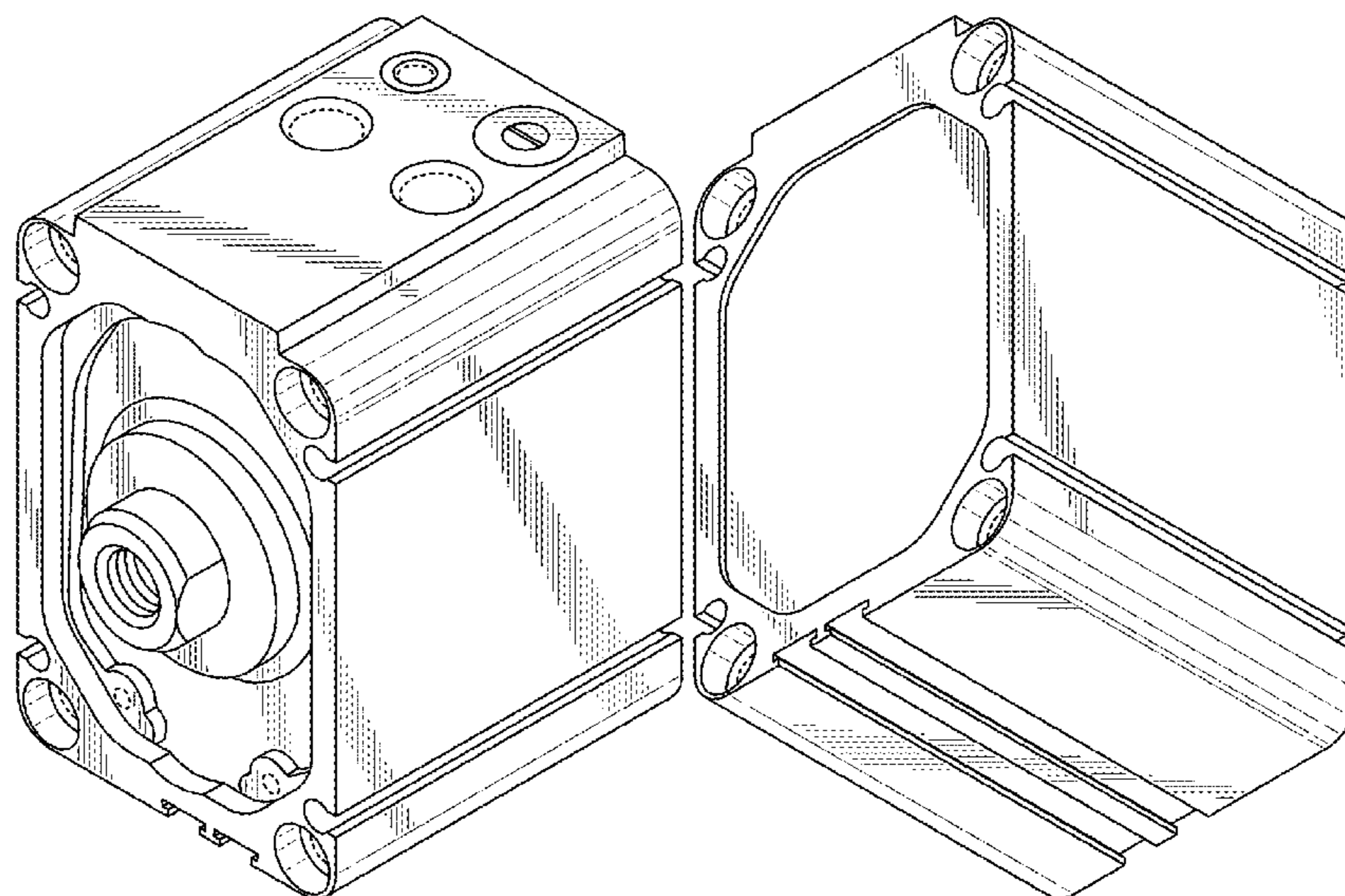
DESCRIPTION

FIG. 1 is a front, top and left side perspective view of a fluid pressure cylinder showing our new design;
FIG. 2 is a rear, bottom and right side perspective view thereof;
FIG. 3 is a front view thereof;
FIG. 4 is a rear view thereof;
FIG. 5 is a top plan view thereof;
FIG. 6 is a bottom plan view thereof;
FIG. 7 is a left side view thereof;
FIG. 8 is a right side view thereof; and,
FIG. 9 is a sectional view taken along the line 9-9 of FIG. 3.
The broken lines depict portions of the fluid pressure cylinder that form no part of the claimed design.

(56) **References Cited**
U.S. PATENT DOCUMENTS

D295,753 S * 5/1988 LaBair D15/7
D301,583 S * 6/1989 Herner D15/7
D303,393 S * 9/1989 Stoll D15/7
D370,683 S * 6/1996 Stahlman D15/7
D378,214 S * 2/1997 Ikumi D15/143
D378,680 S * 4/1997 Ikumi D15/7
D380,217 S * 6/1997 Jermeay D15/5
D408,420 S * 4/1999 Buter D15/7

1 Claim, 9 Drawing Sheets



(56)

References Cited

U.S. PATENT DOCUMENTS

D699,759	S	*	2/2014	Peschel	D15/7
D699,760	S	*	2/2014	Peschel	D15/7
D699,761	S	*	2/2014	Peschel	D15/7
D757,120	S	*	5/2016	Kudo	D15/7
D760,805	S	*	7/2016	Monden	D15/7
D772,302	S	*	11/2016	Kudo	D15/7
D780,228	S	*	2/2017	Kudo	D15/7
D780,229	S	*	2/2017	Kudo	D15/7
D805,559	S	*	12/2017	Kudo	D15/7
D805,560	S	*	12/2017	Kudo	D15/7
D819,700	S	*	6/2018	Kudo	D15/7
D820,321	S	*	6/2018	Kudo	D15/7
D825,616	S	*	8/2018	Monden	D15/9
D826,285	S	*	8/2018	Yaegashi	D15/9
D861,041	S	*	9/2019	Morita	D15/7
D861,042	S	*	9/2019	Morita	D15/7
D867,399	S	*	11/2019	Morita	D15/7
D869,511	S	*	12/2019	Iwama	D15/9
2017/0298931	A1	*	10/2017	Kudo	F15B 15/2861
2019/0195248	A1	*	6/2019	Kudo	F15B 15/1428

* cited by examiner

FIG. 1

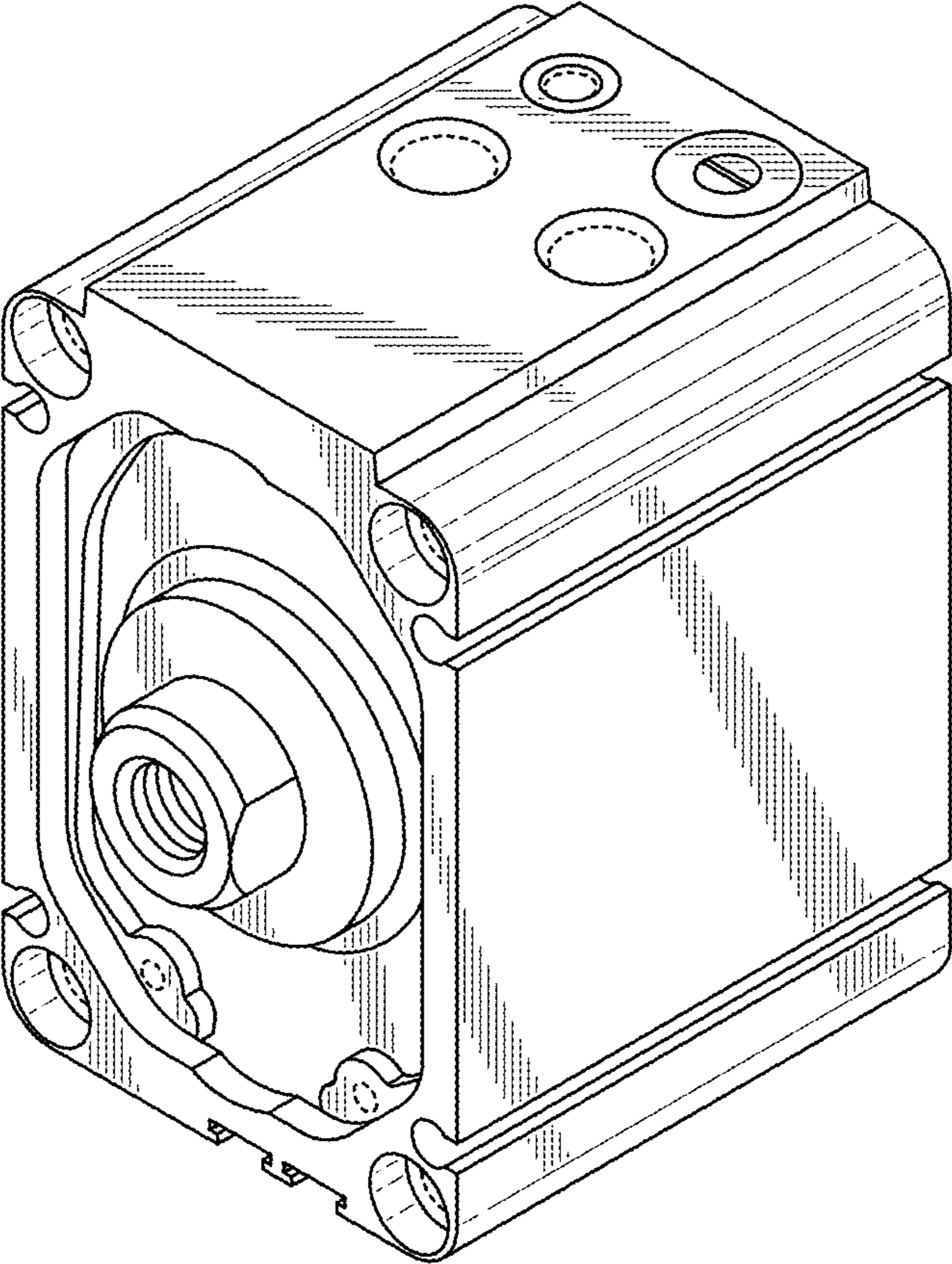


FIG. 2

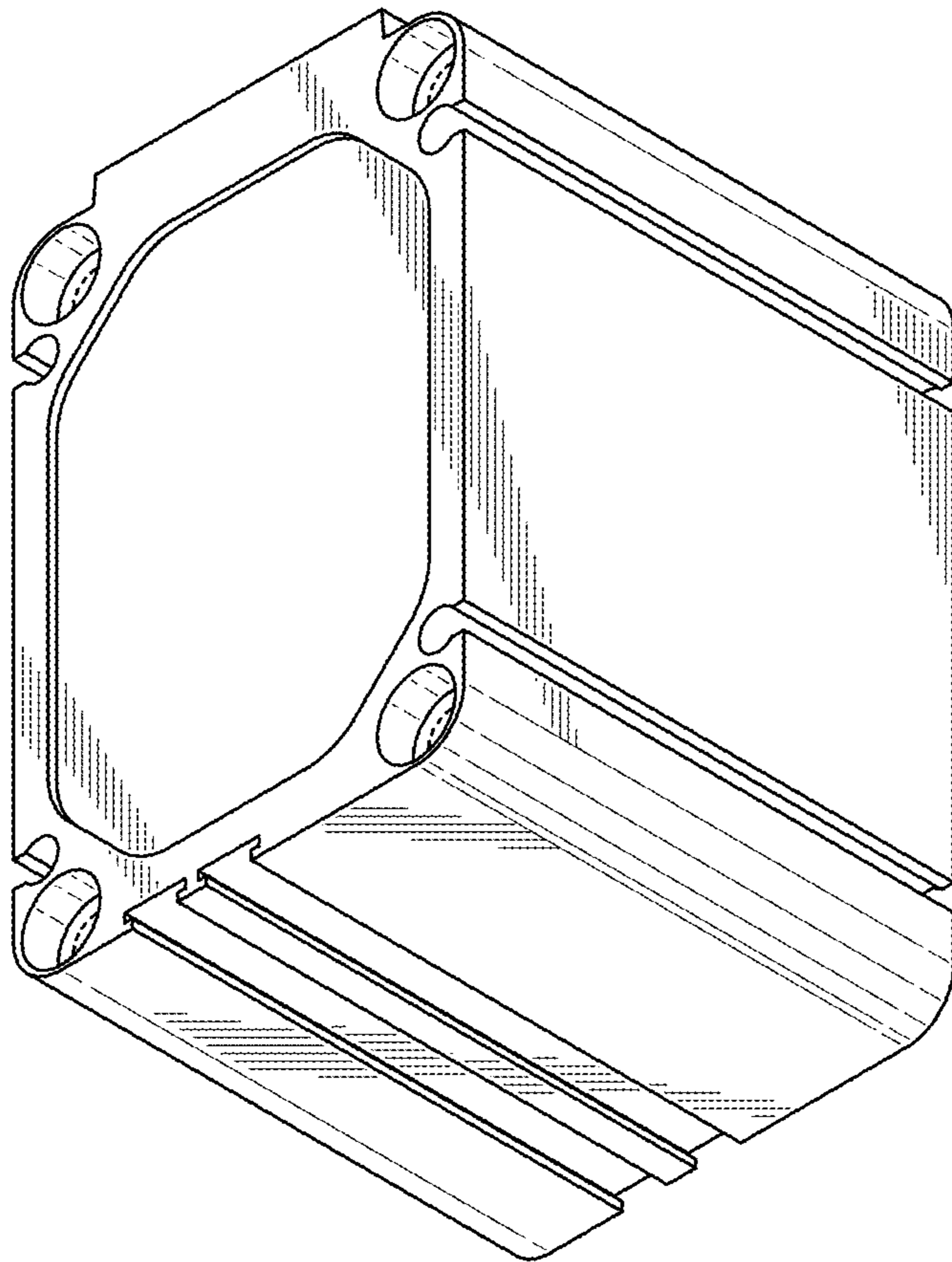


FIG. 3

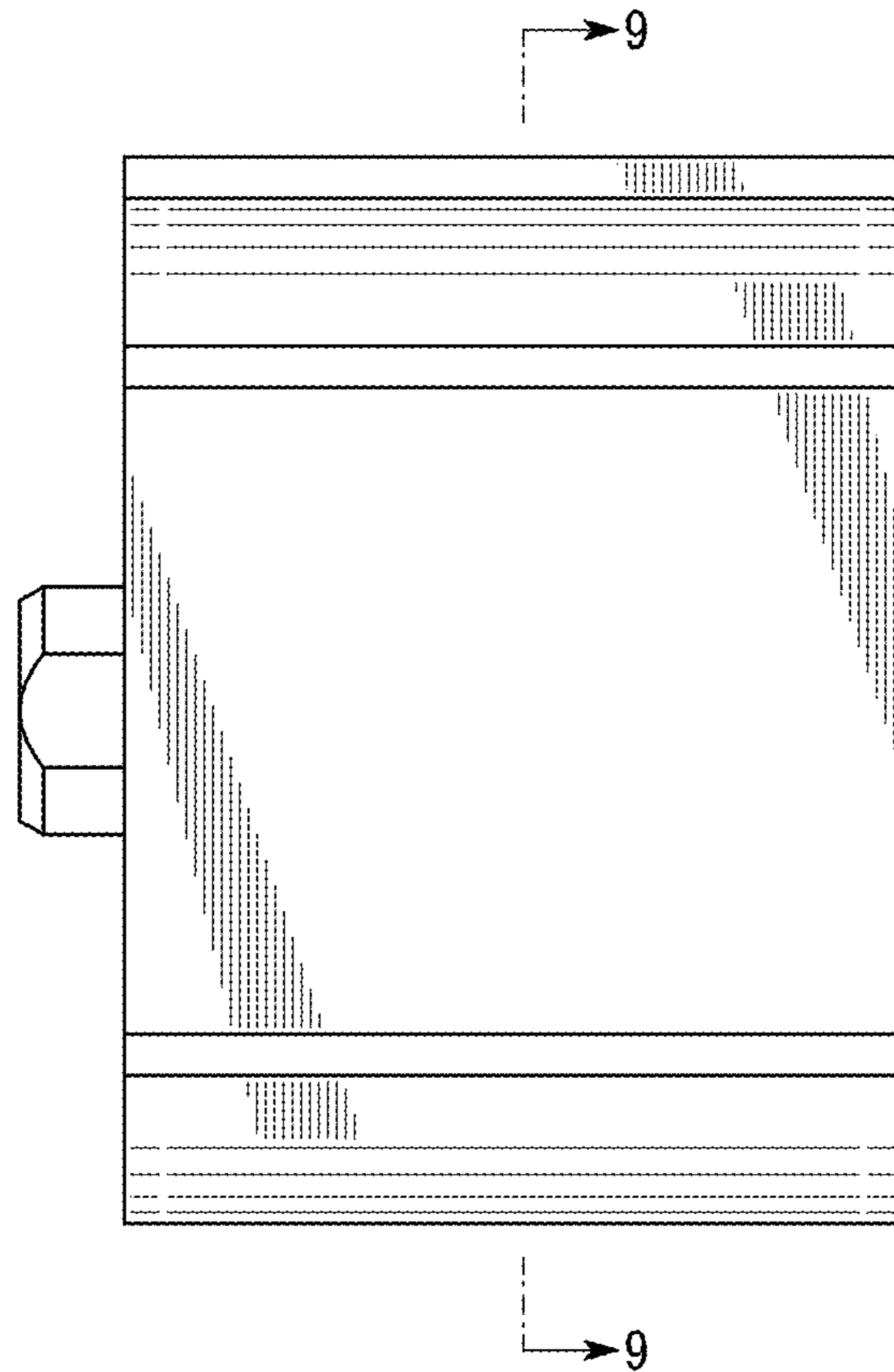


FIG. 4

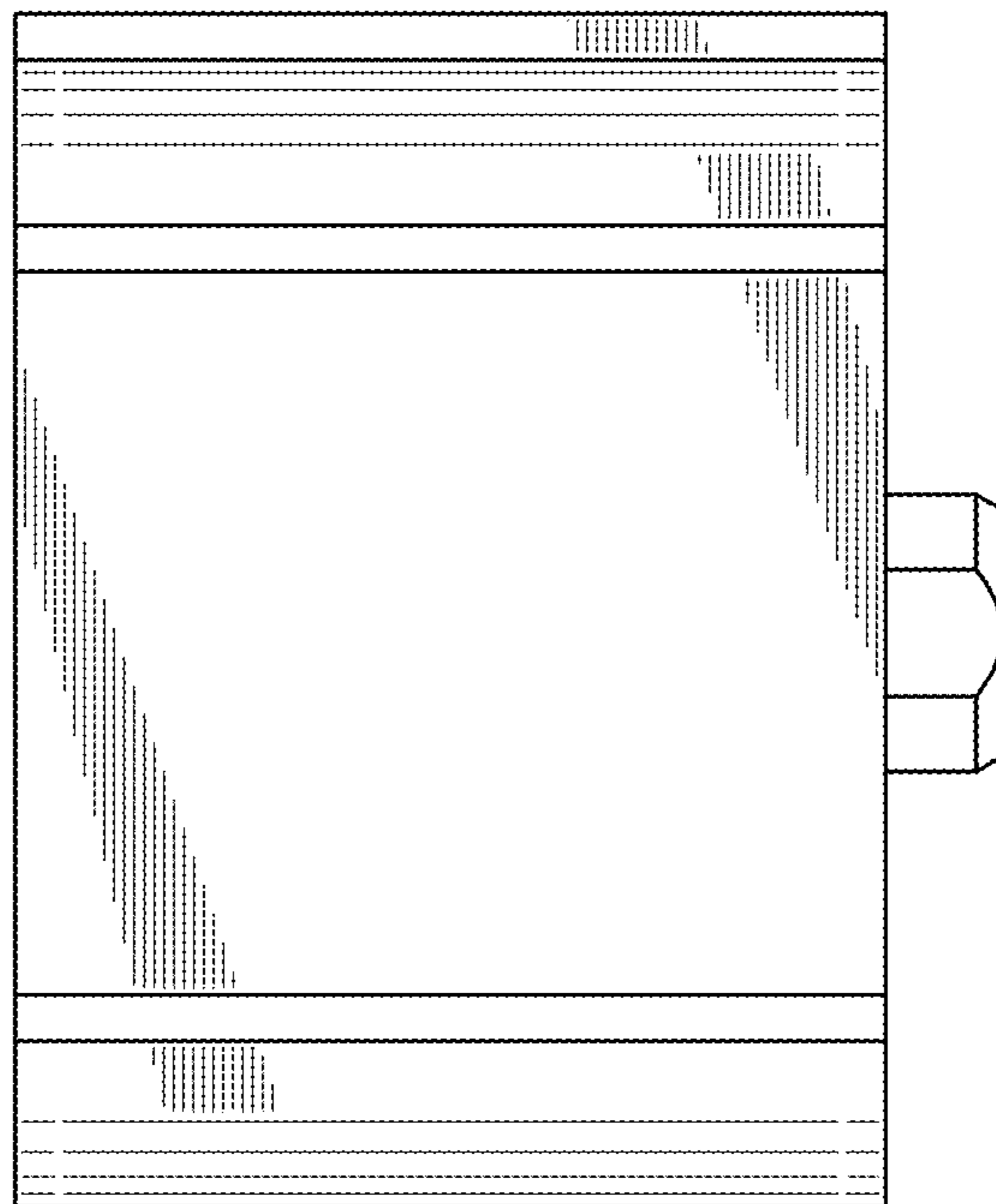


FIG. 5

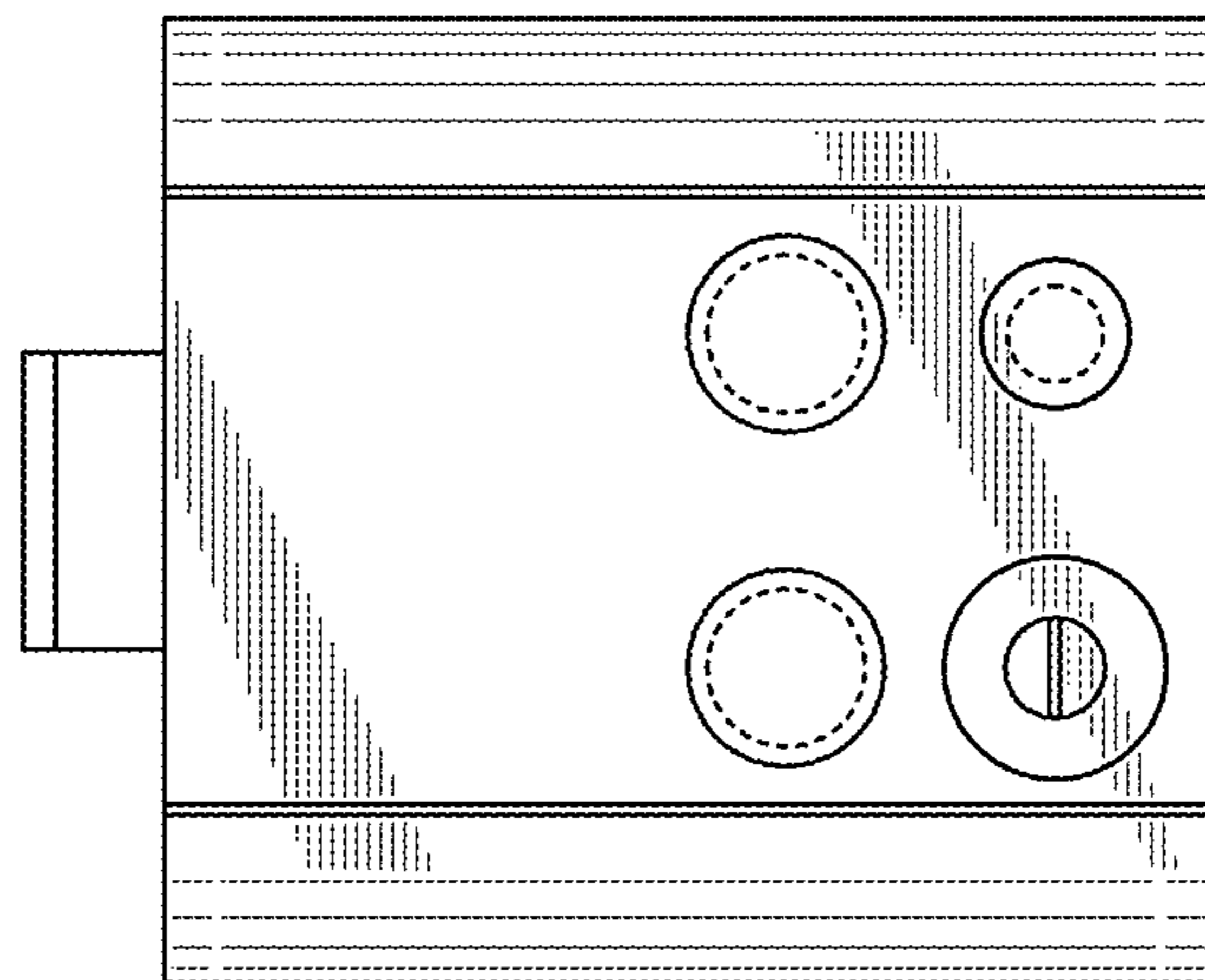


FIG. 6

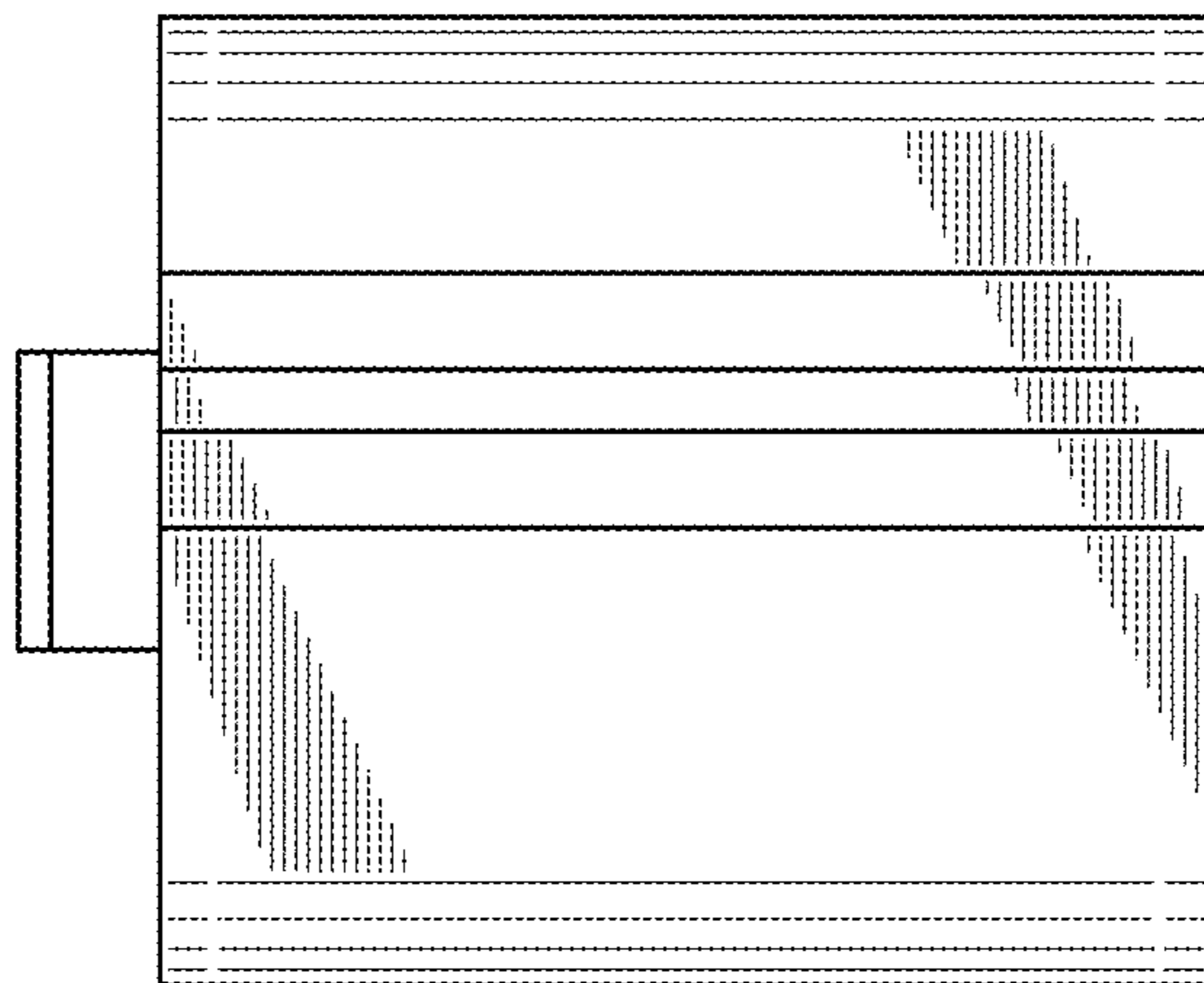


FIG. 7

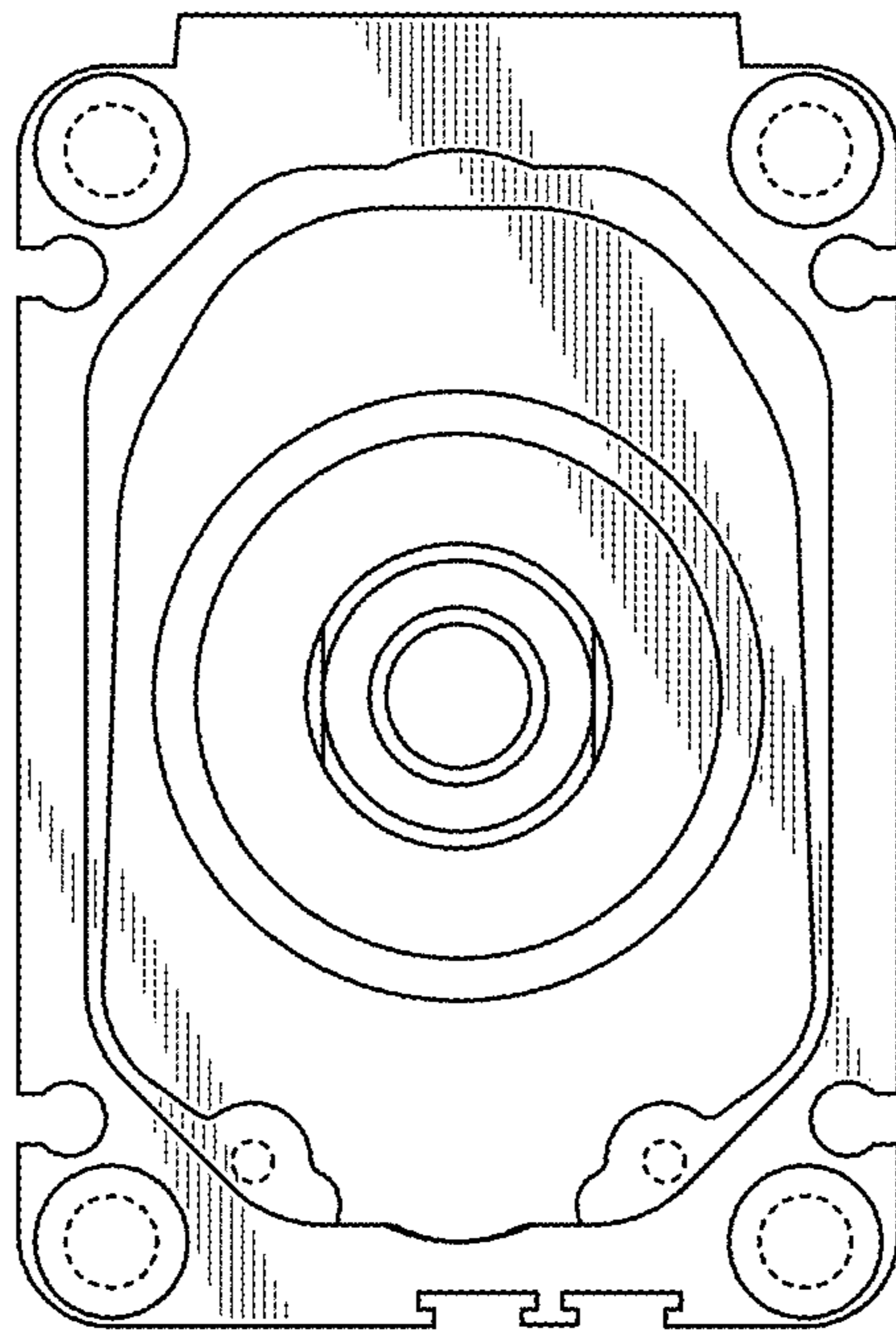


FIG. 8

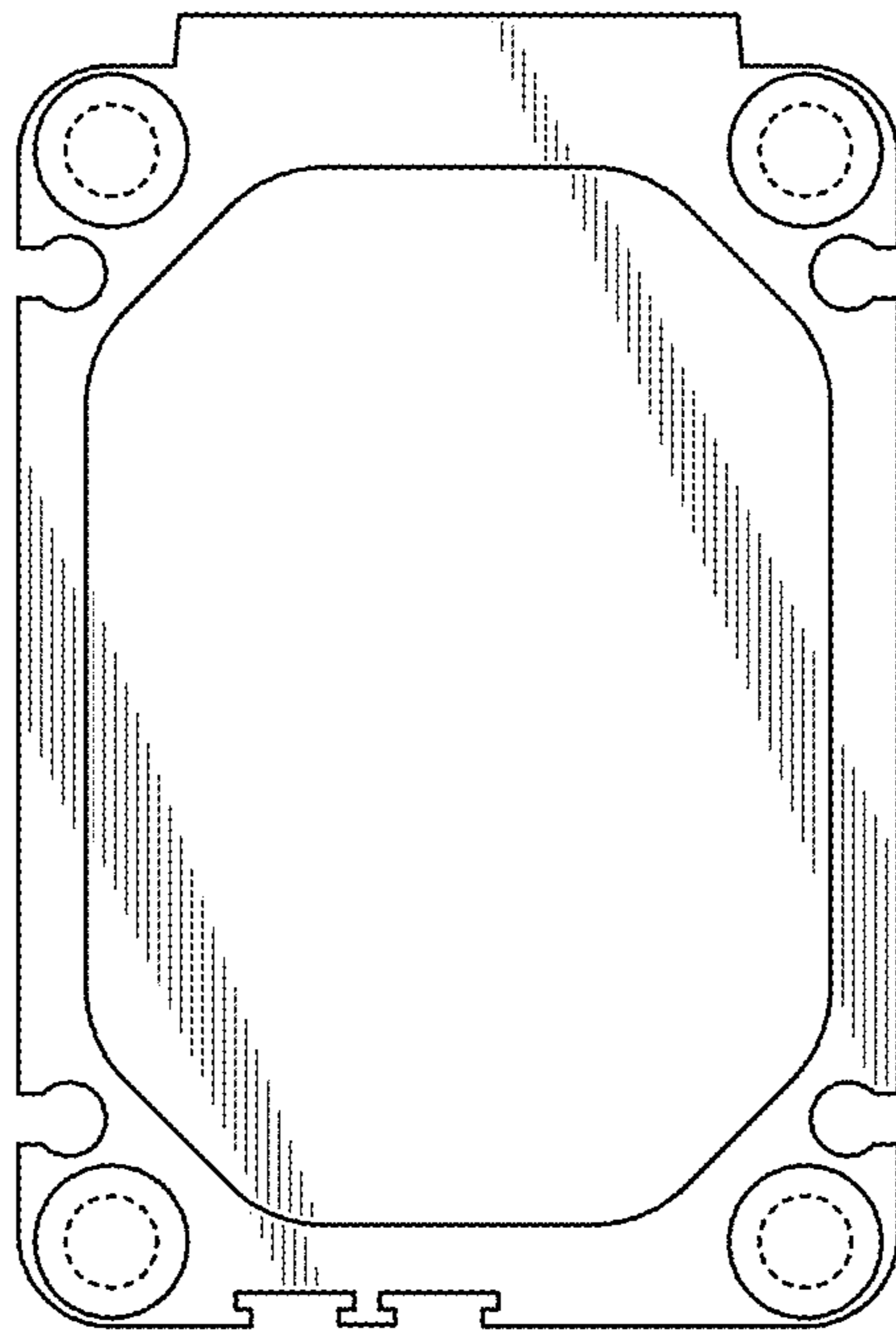


FIG. 9

