



US00D888770S

(12) **United States Design Patent**
Mizutani et al.

(10) **Patent No.:** **US D888,770 S**
(45) **Date of Patent:** **** Jun. 30, 2020**

(54) **FLUID PRESSURE CYLINDER**

(71) Applicant: **SMC CORPORATION**, Tokyo (JP)

(72) Inventors: **Yuu Mizutani**, Tsukubamirai (JP);
Masahiko Kawakami, Tsukubamirai (JP);
Sho Aso, Tsukubamirai (JP);
Shinichiro Nemoto, Tsukubamirai (JP);
Masayuki Kudo, Tsukubamirai (JP);
Kengo Monden, Ushiku (JP)

(73) Assignee: **SMC CORPORATION**, Tokyo (JP)

(**) Term: **15 Years**

(21) Appl. No.: **29/678,128**

(22) Filed: **Jan. 25, 2019**

(30) **Foreign Application Priority Data**

Aug. 30, 2018 (JP) 2018-018860

(51) **LOC (12) Cl.** **15-02**

(52) **U.S. Cl.**
USPC **D15/7**

(58) **Field of Classification Search**
USPC D15/7-9; D23/231, 232, 225
CPC F02M 37/04; F02M 31/14; F04D 29/4286;
F15B 15/149; F15B 15/16; F15B
15/1414; F15B 14/1919; F15B 15/26
See application file for complete search history.

(56) **References Cited**

U.S. PATENT DOCUMENTS

| | | | | |
|--------------|--------|----------|-------|---------|
| D295,753 S * | 5/1988 | LaBair | | D15/7 |
| D301,583 S * | 6/1989 | Herner | | D15/7 |
| D303,393 S * | 9/1989 | Stoll | | D15/7 |
| D370,683 S * | 6/1996 | Stahlman | | D15/7 |
| D378,214 S * | 2/1997 | Ikumi | | D15/143 |
| D378,680 S * | 4/1997 | Ikumi | | D15/7 |
| D380,217 S * | 6/1997 | Jermeay | | D15/5 |
| D408,420 S * | 4/1999 | Buter | | D15/7 |

| | | | | |
|--------------|---------|-----------|-------|---------|
| D417,457 S * | 12/1999 | Asahara | | D15/7 |
| D420,683 S * | 2/2000 | Suzuki | | D15/7 |
| D428,617 S * | 7/2000 | Hariwara | | D15/7 |
| D572,282 S * | 7/2008 | Yaegashi | | D15/143 |
| D584,324 S * | 1/2009 | Yaegashi | | D15/143 |
| D643,855 S * | 8/2011 | Taniguchi | | D15/7 |
| D643,856 S * | 8/2011 | Taniguchi | | D15/7 |
| D669,097 S * | 10/2012 | Hariwara | | D15/7 |
| D669,098 S * | 10/2012 | Hariwara | | D15/7 |
| D682,901 S * | 5/2013 | Peschel | | D15/143 |

(Continued)

FOREIGN PATENT DOCUMENTS

| | | |
|----|-------------|--------|
| CN | 304699600 S | 6/2018 |
| JP | 1110350 S | 6/2001 |
| JP | 1575593 S | 5/2017 |

Primary Examiner — Mitchell I. Siegel

(74) *Attorney, Agent, or Firm* — Birch, Stewart, Kolasch & Birch, LLP

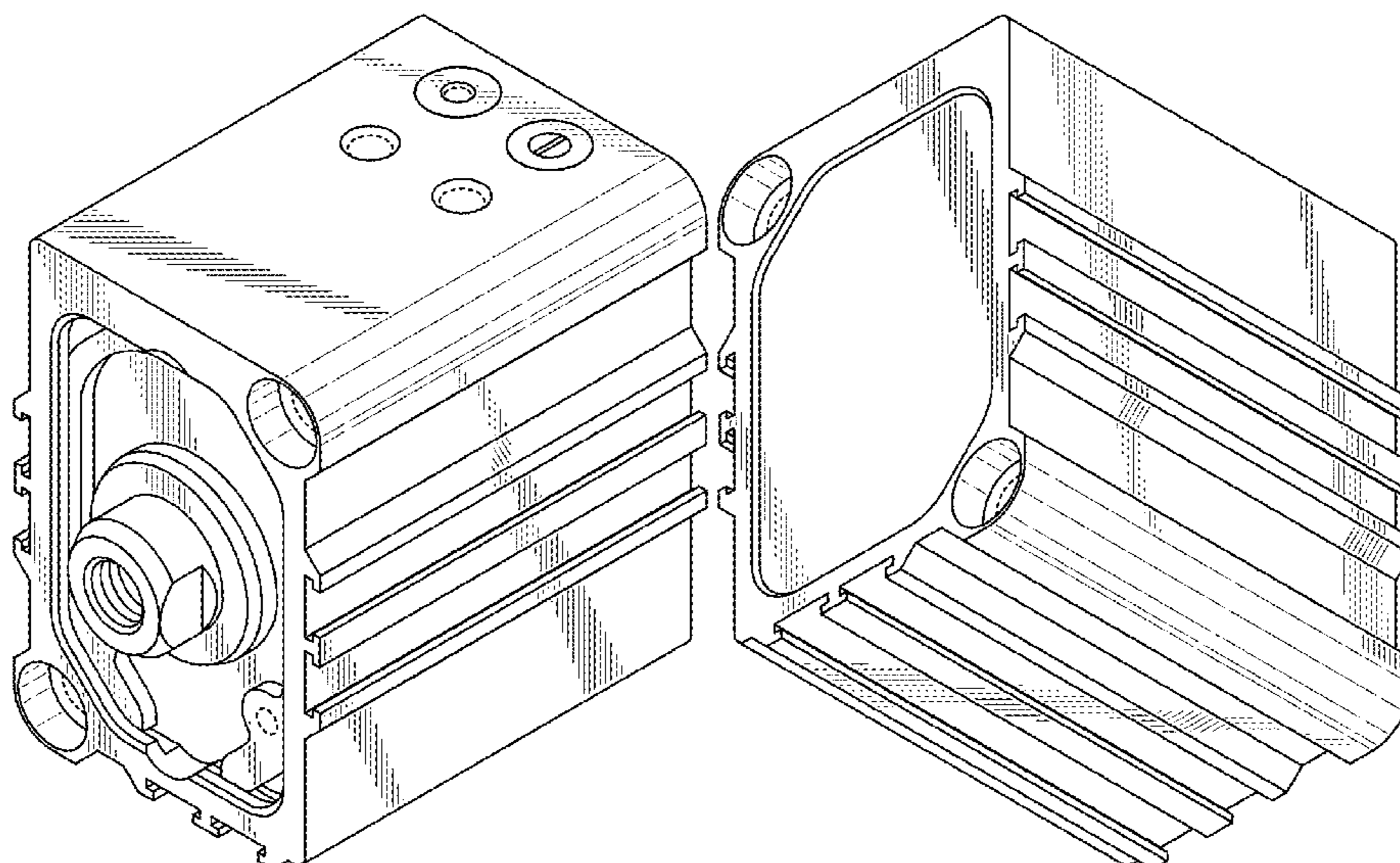
(57) **CLAIM**

The ornamental design for a fluid pressure cylinder, as shown and described.

DESCRIPTION

FIG. 1 is a front, top and left side perspective view of a fluid pressure cylinder showing our new design;
FIG. 2 is a rear, bottom and right side perspective view thereof;
FIG. 3 is a front view thereof;
FIG. 4 is a rear view thereof;
FIG. 5 is a top plan view thereof;
FIG. 6 is a bottom plan view thereof;
FIG. 7 is a left side view thereof;
FIG. 8 is a right side view thereof; and,
FIG. 9 is a sectional view taken along the line 9-9 of FIG. 3.
The broken lines depict portions of the fluid pressure cylinder that form no part of the claimed design.

1 Claim, 9 Drawing Sheets



(56)

References Cited

U.S. PATENT DOCUMENTS

| | | | | | | |
|--------------|----|---|---------|----------|-------|--------------|
| D699,759 | S | * | 2/2014 | Peschel | | D15/7 |
| D699,760 | S | * | 2/2014 | Peschel | | D15/7 |
| D699,761 | S | * | 2/2014 | Peschel | | D15/7 |
| D757,120 | S | * | 5/2016 | Kudo | | D15/7 |
| D760,805 | S | * | 7/2016 | Monden | | D15/7 |
| D772,302 | S | * | 11/2016 | Kudo | | D15/7 |
| D780,228 | S | * | 2/2017 | Kudo | | D15/7 |
| D780,229 | S | * | 2/2017 | Kudo | | D15/7 |
| D805,559 | S | * | 12/2017 | Kudo | | D15/7 |
| D805,560 | S | * | 12/2017 | Kudo | | D15/7 |
| D819,700 | S | * | 6/2018 | Kudo | | D15/7 |
| D820,321 | S | * | 6/2018 | Kudo | | D15/7 |
| D825,616 | S | * | 8/2018 | Monden | | D15/9 |
| D826,285 | S | * | 8/2018 | Yaegashi | | D15/9 |
| D861,041 | S | * | 9/2019 | Morita | | D15/7 |
| D861,042 | S | * | 9/2019 | Morita | | D15/7 |
| D867,399 | S | * | 11/2019 | Morita | | D15/7 |
| D869,511 | S | * | 12/2019 | Iwama | | D15/9 |
| 2017/0298931 | A1 | * | 10/2017 | Kudo | | F15B 15/2861 |
| 2019/0195248 | A1 | * | 6/2019 | Kudo | | F15B 15/1428 |

* cited by examiner

FIG. 1

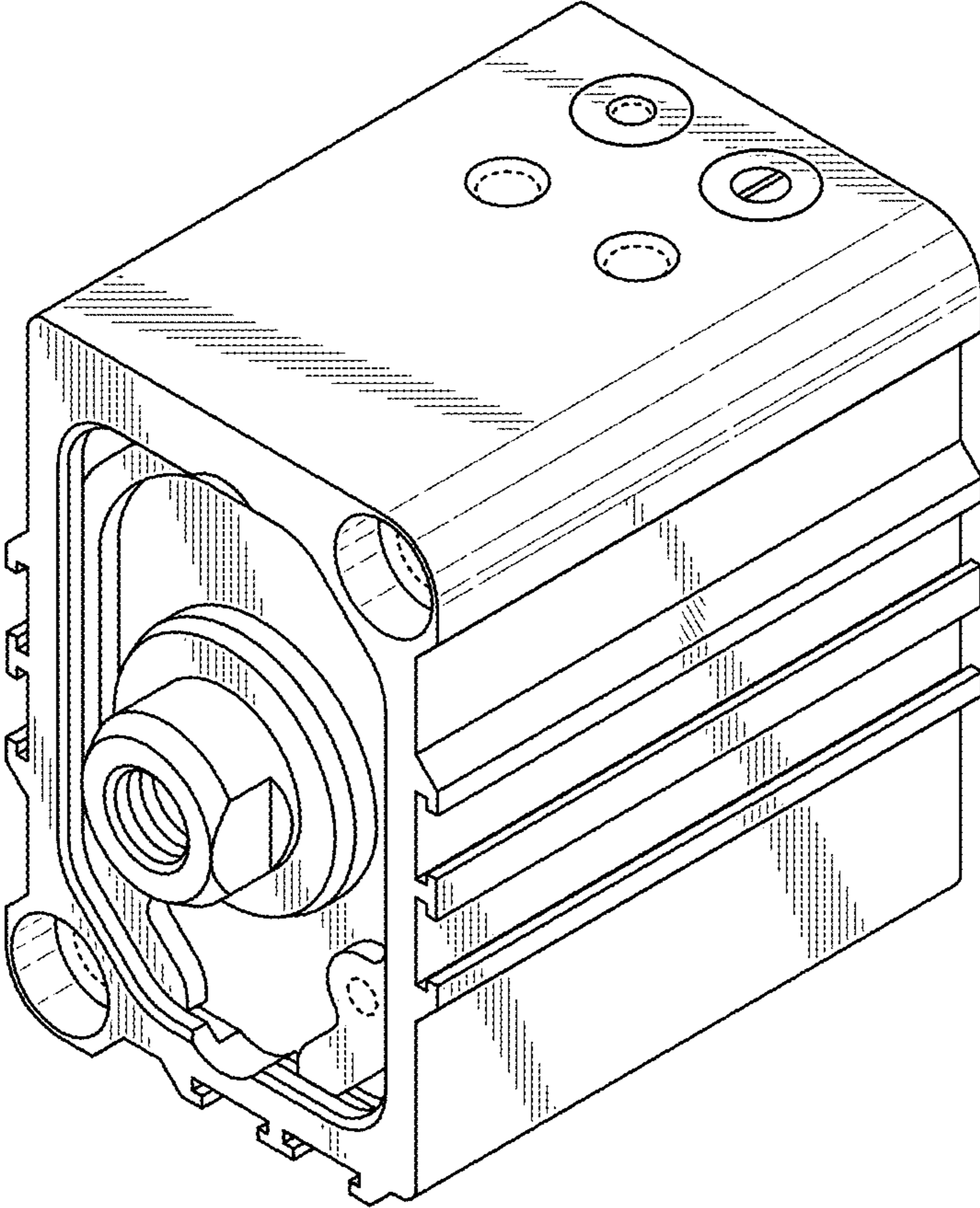


FIG. 2

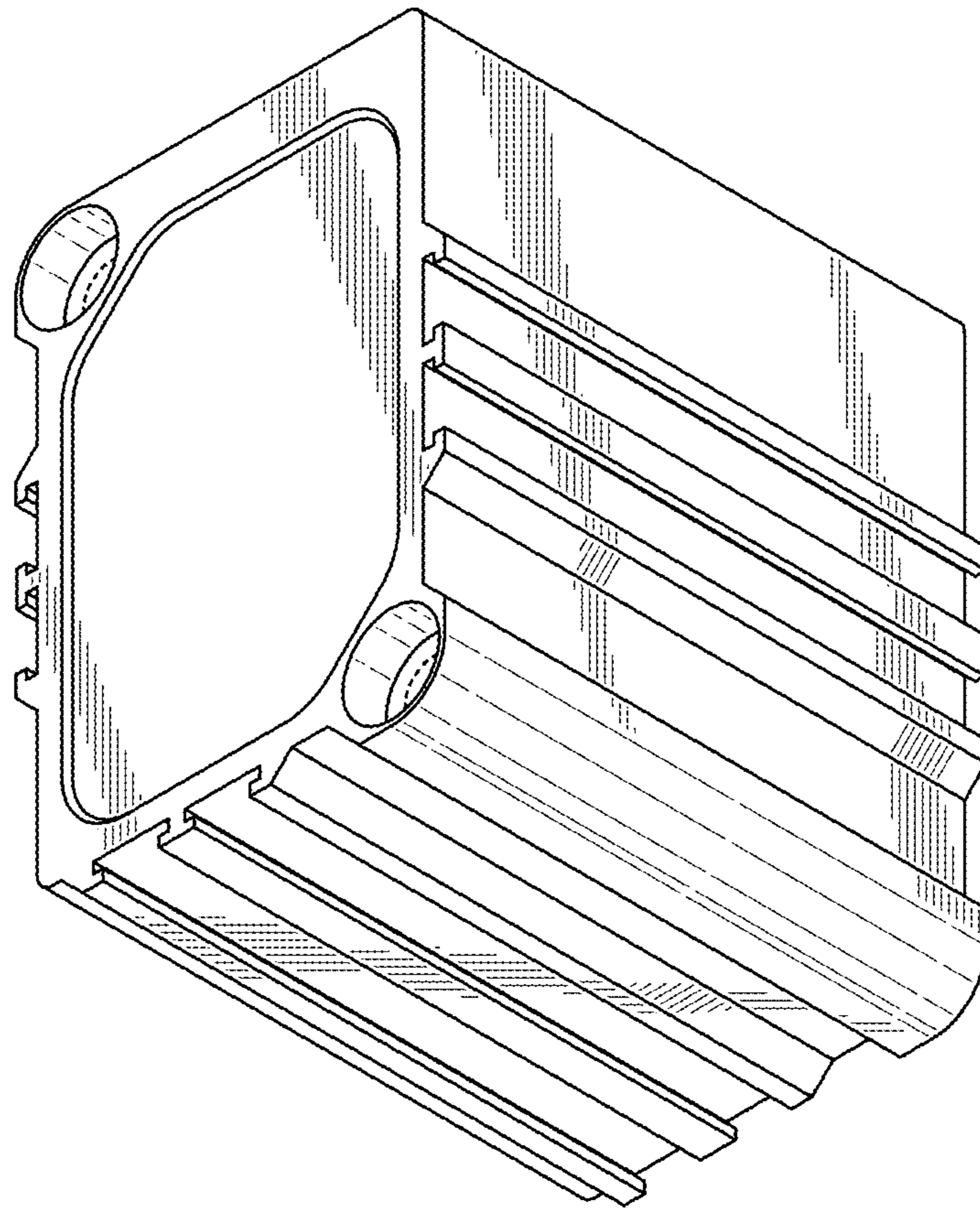


FIG. 3

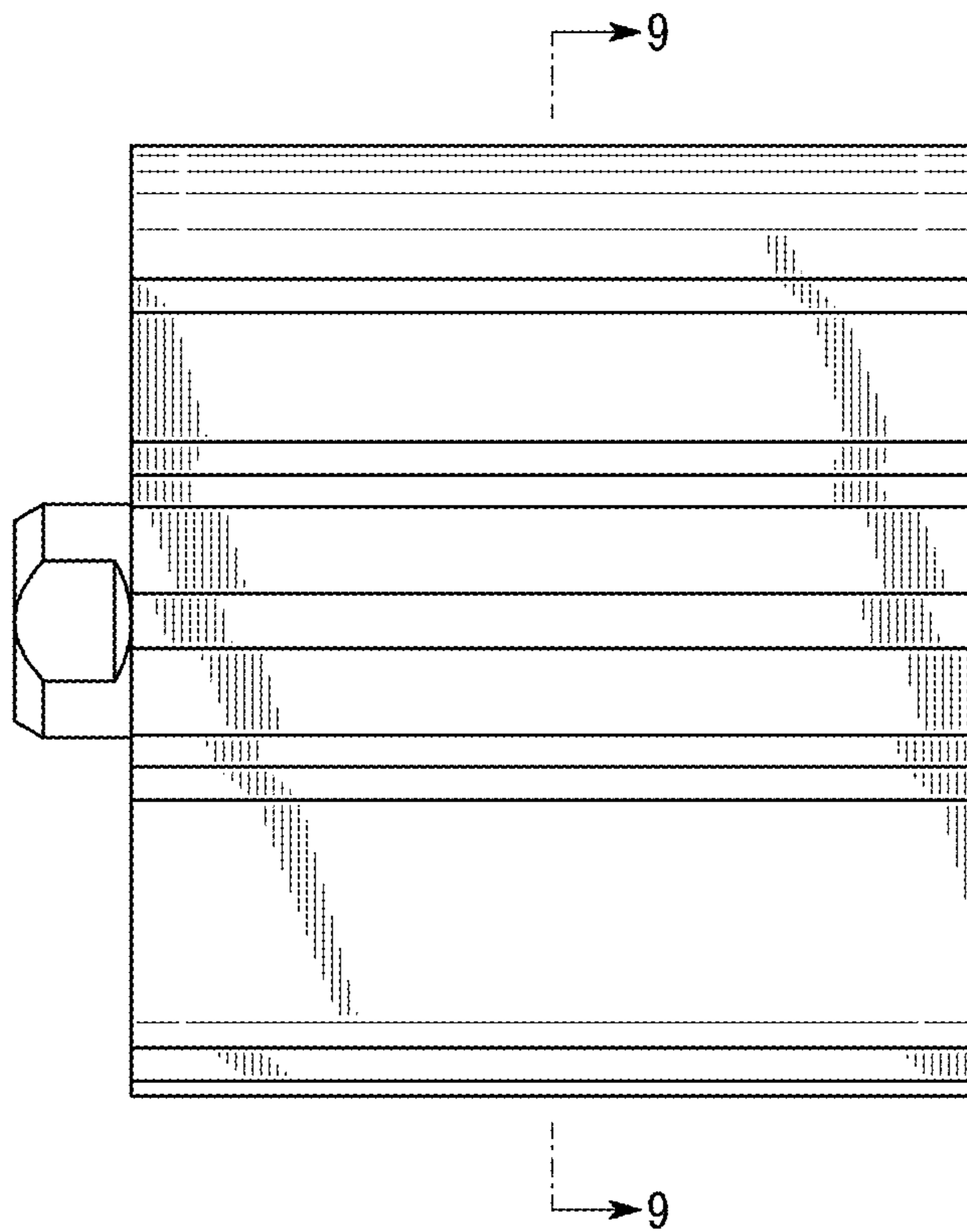


FIG. 4

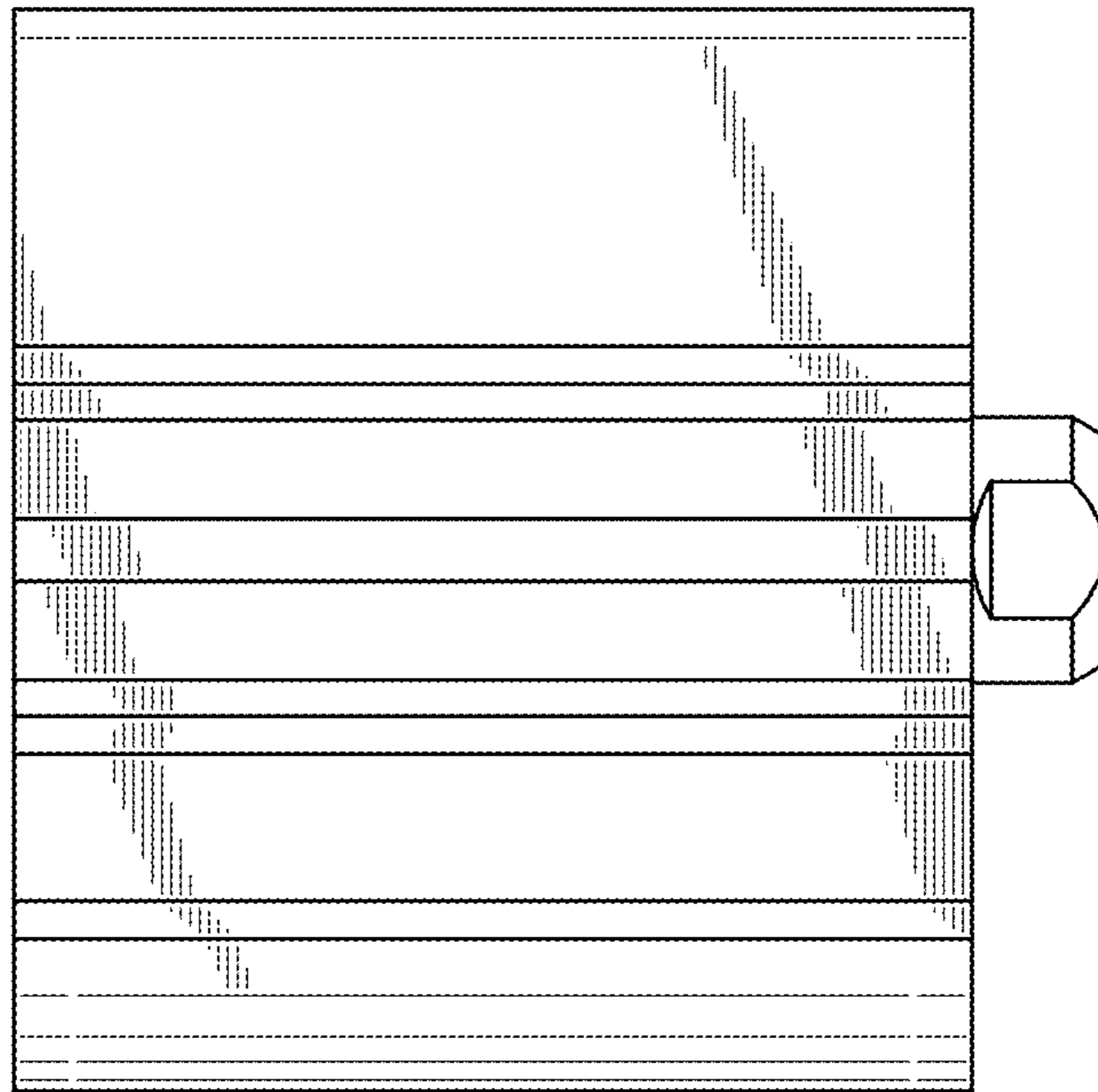


FIG. 5

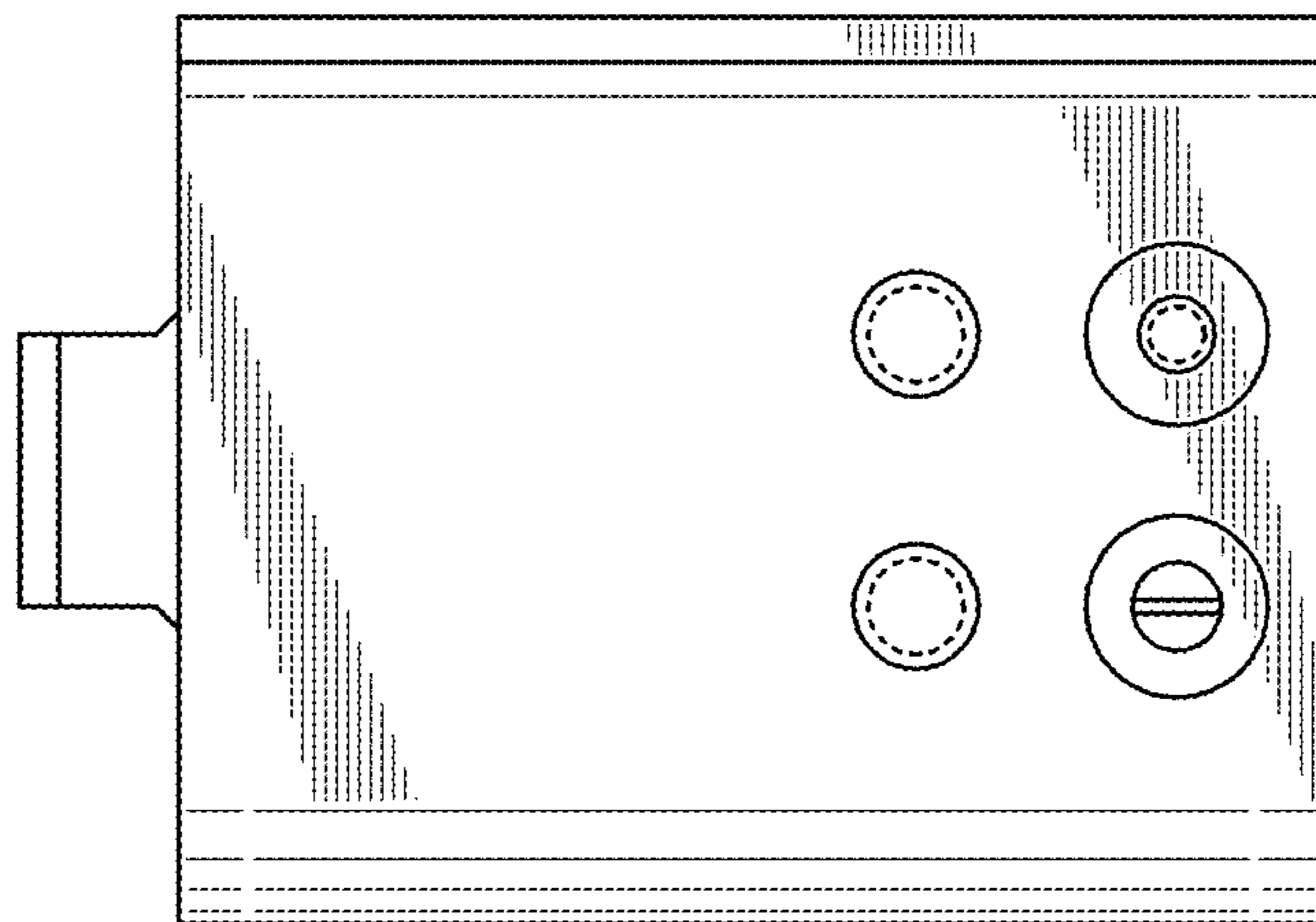


FIG. 6



FIG. 7

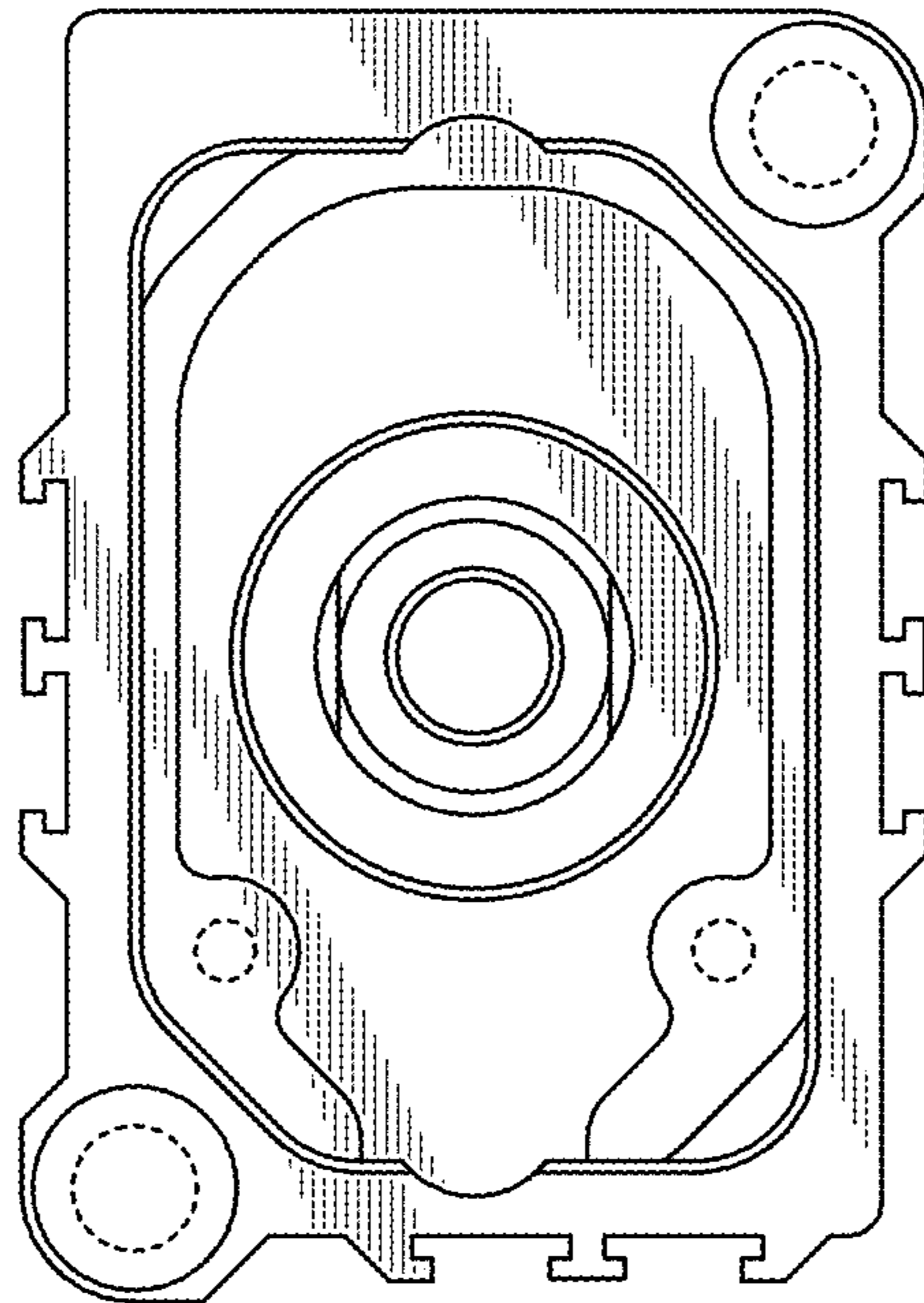


FIG. 8

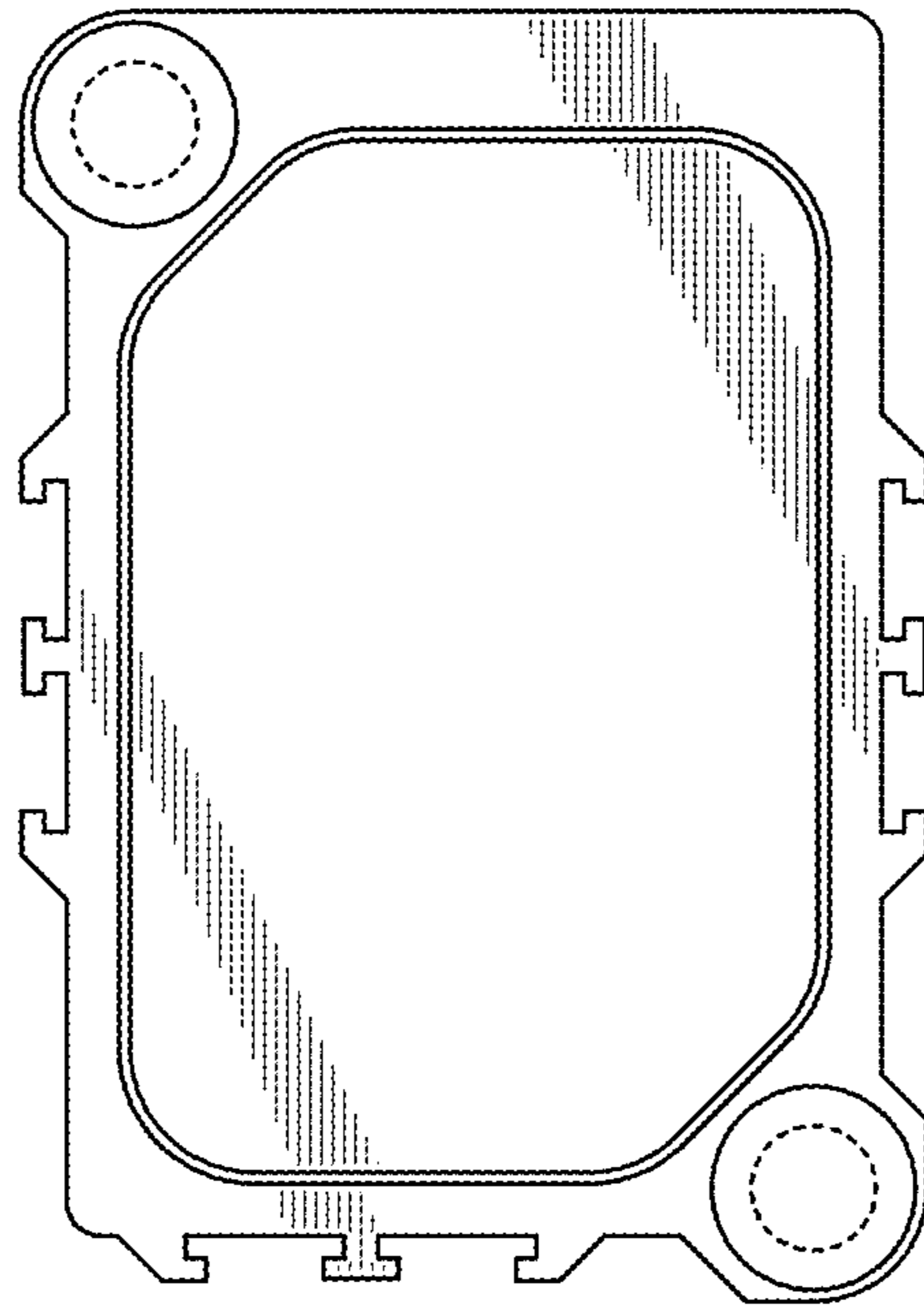


FIG. 9

