



US00D888768S

(12) **United States Design Patent**  
**Jiang**

(10) **Patent No.:** **US D888,768 S**

(45) **Date of Patent:** **\*\* Jun. 30, 2020**

- (54) **HIGH PRESSURE INFLATOR**
- (71) Applicant: **Junsheng Jiang**, Leiyang (CN)
- (72) Inventor: **Junsheng Jiang**, Leiyang (CN)
- (\*\*) Term: **15 Years**
- (21) Appl. No.: **29/663,489**
- (22) Filed: **Sep. 17, 2018**
- (51) **LOC (12) Cl.** ..... **15-02**
- (52) **U.S. Cl.**  
USPC ..... **D15/7**
- (58) **Field of Classification Search**  
USPC ..... D15/7-9; D21/572-575; D23/231, 232,  
D23/225  
CPC .. B60S 5/04; F41B 9/00-0078; F41B 11/681;  
F41B 11/89; F02M 37/04; F02M 37/14  
See application file for complete search history.

- 5,531,627 A \* 7/1996 Deal ..... A63H 33/30  
222/79
- 5,915,771 A \* 6/1999 Amron ..... F41B 9/0053  
222/401
- D421,756 S \* 3/2000 Bonzer ..... D15/7
- 6,234,347 B1 \* 5/2001 Amron ..... F41B 9/0018  
222/1
- D454,358 S \* 3/2002 Davis ..... D15/7
- 7,185,787 B2 \* 3/2007 Brown ..... F41B 9/0012  
222/79
- D647,924 S \* 11/2011 Upham ..... D15/7
- 9,227,600 B2 \* 1/2016 Chen ..... B60S 5/04

\* cited by examiner

*Primary Examiner* — Mitchell I. Siegel

(74) *Attorney, Agent, or Firm* — HYIP

(57) **CLAIM**

The ornamental design for a high pressure inflator, as shown and described.

(56) **References Cited**

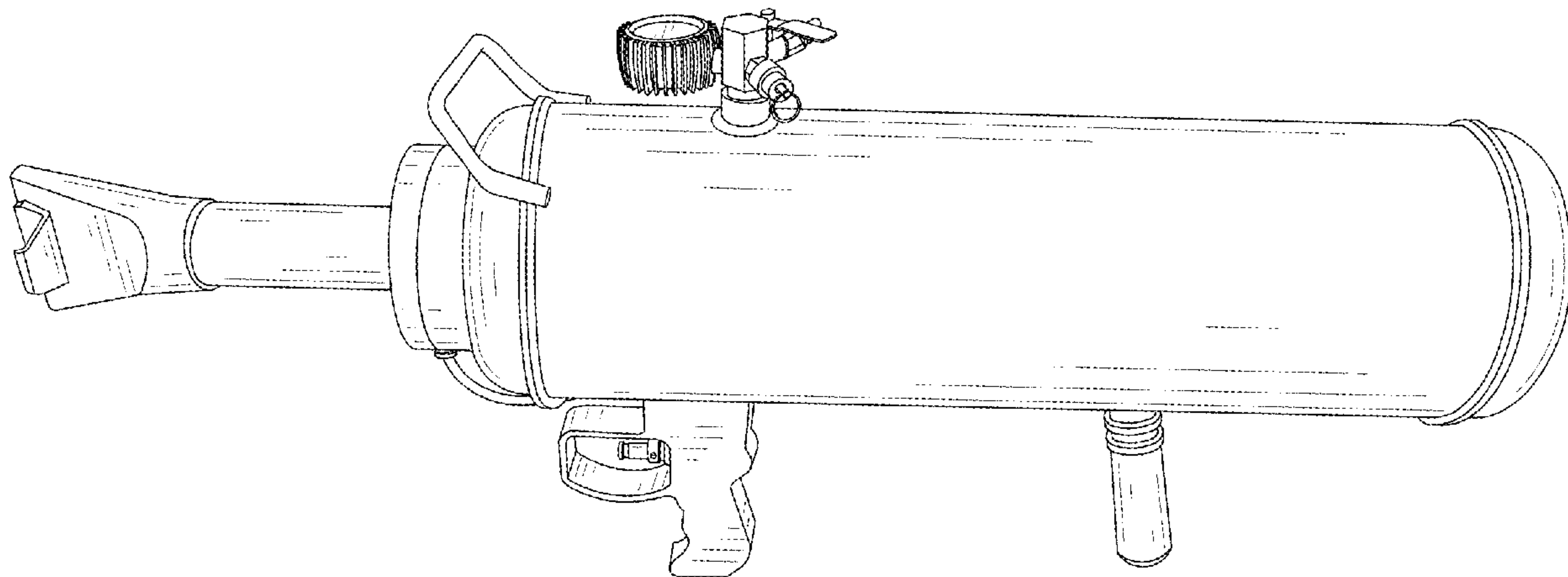
**U.S. PATENT DOCUMENTS**

- D278,244 S \* 4/1985 Boetger ..... D15/7
- 4,562,612 A \* 1/1986 Williams ..... A47L 5/18  
15/409
- 4,759,842 A \* 7/1988 Frees ..... B01D 29/15  
210/94
- 5,074,437 A \* 12/1991 D'Andrade ..... B05B 9/0426  
222/400.8
- D331,241 S \* 11/1992 Price ..... D15/5
- D337,797 S \* 7/1993 D'Andrade ..... D21/572
- D340,957 S \* 11/1993 D'Andrade ..... D21/572
- 5,305,919 A \* 4/1994 Johnson ..... B05B 9/0426  
222/396
- 5,339,987 A \* 8/1994 D'Andrade ..... F41B 9/0018  
222/401

**DESCRIPTION**

FIG. 1 is a front elevation view of a high pressure inflator showing our new design;  
 FIG. 2 is a rear elevation view thereof;  
 FIG. 3 is a left side elevation view thereof;  
 FIG. 4 is a right side elevation view thereof;  
 FIG. 5 is a top plan view thereof;  
 FIG. 6 is a bottom plan view thereof; and,  
 FIG. 7 is a perspective view thereof.  
 The broken lines shown in the drawings depict portions of the high pressure inflator in the figures that form no part of the claimed design.

**1 Claim, 7 Drawing Sheets**



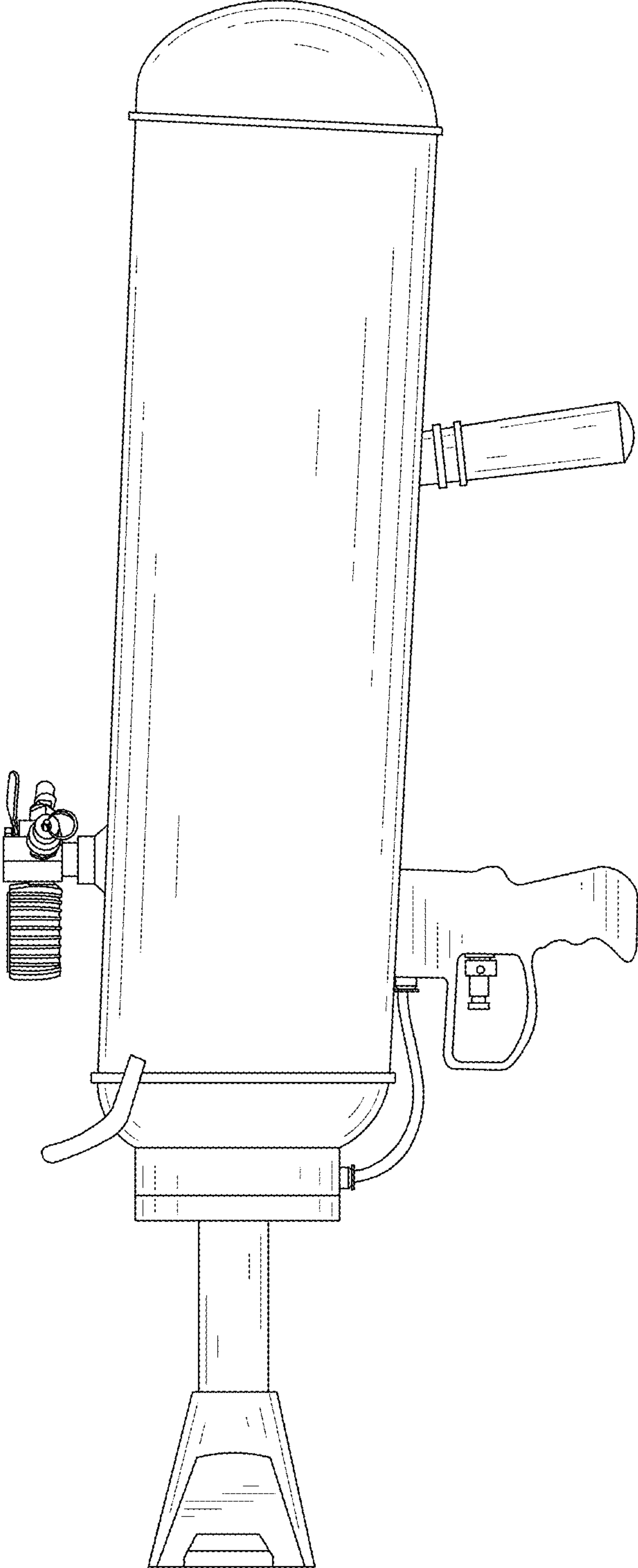


FIG. 1

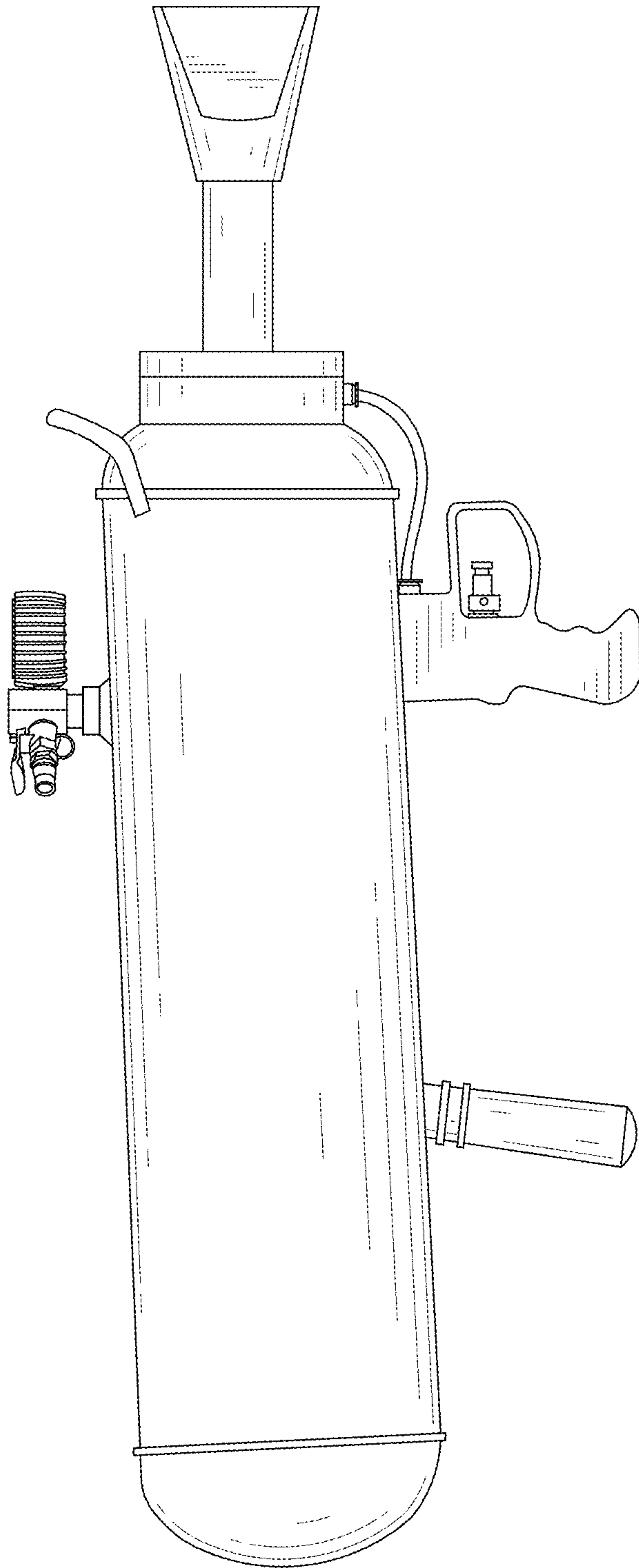


FIG. 2

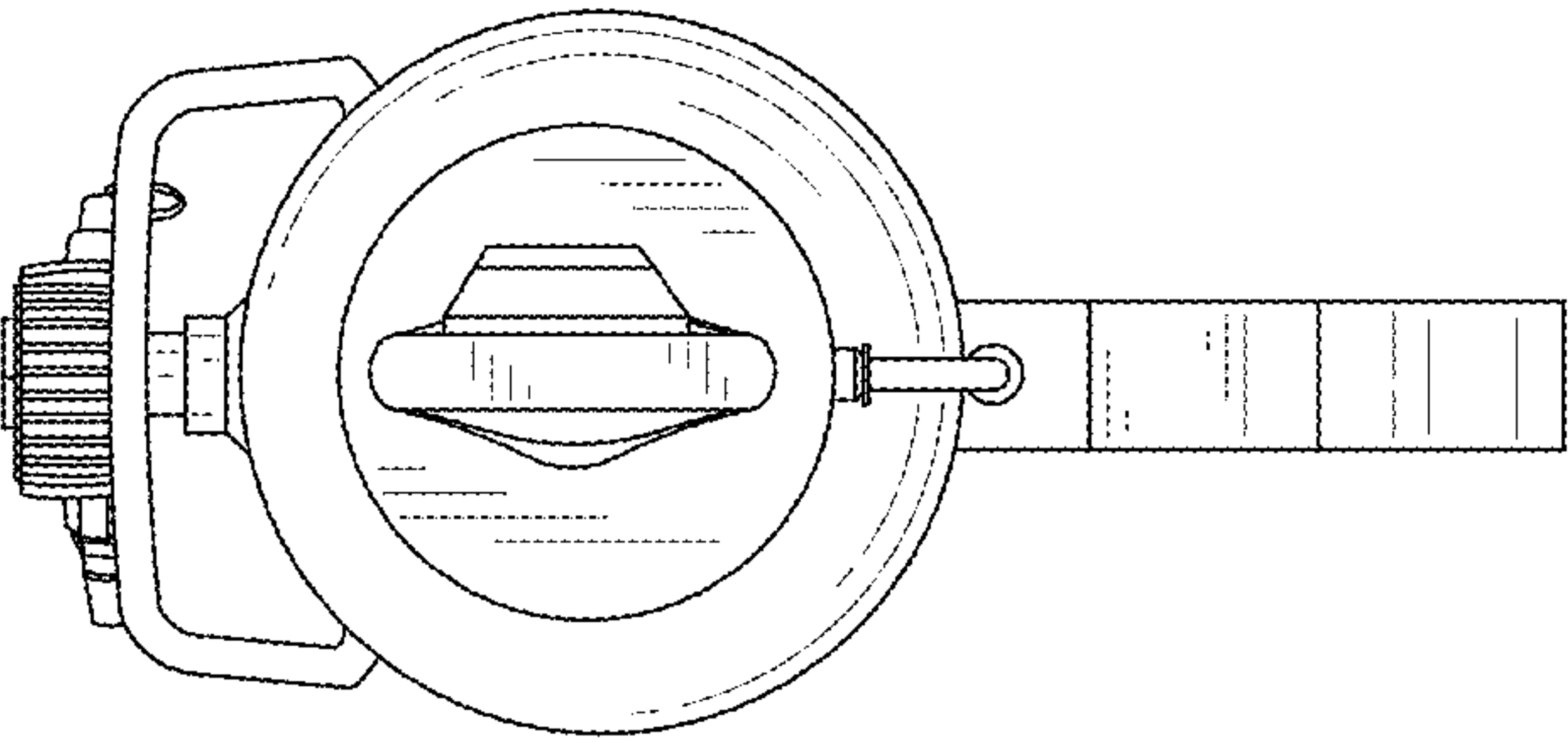


FIG. 3

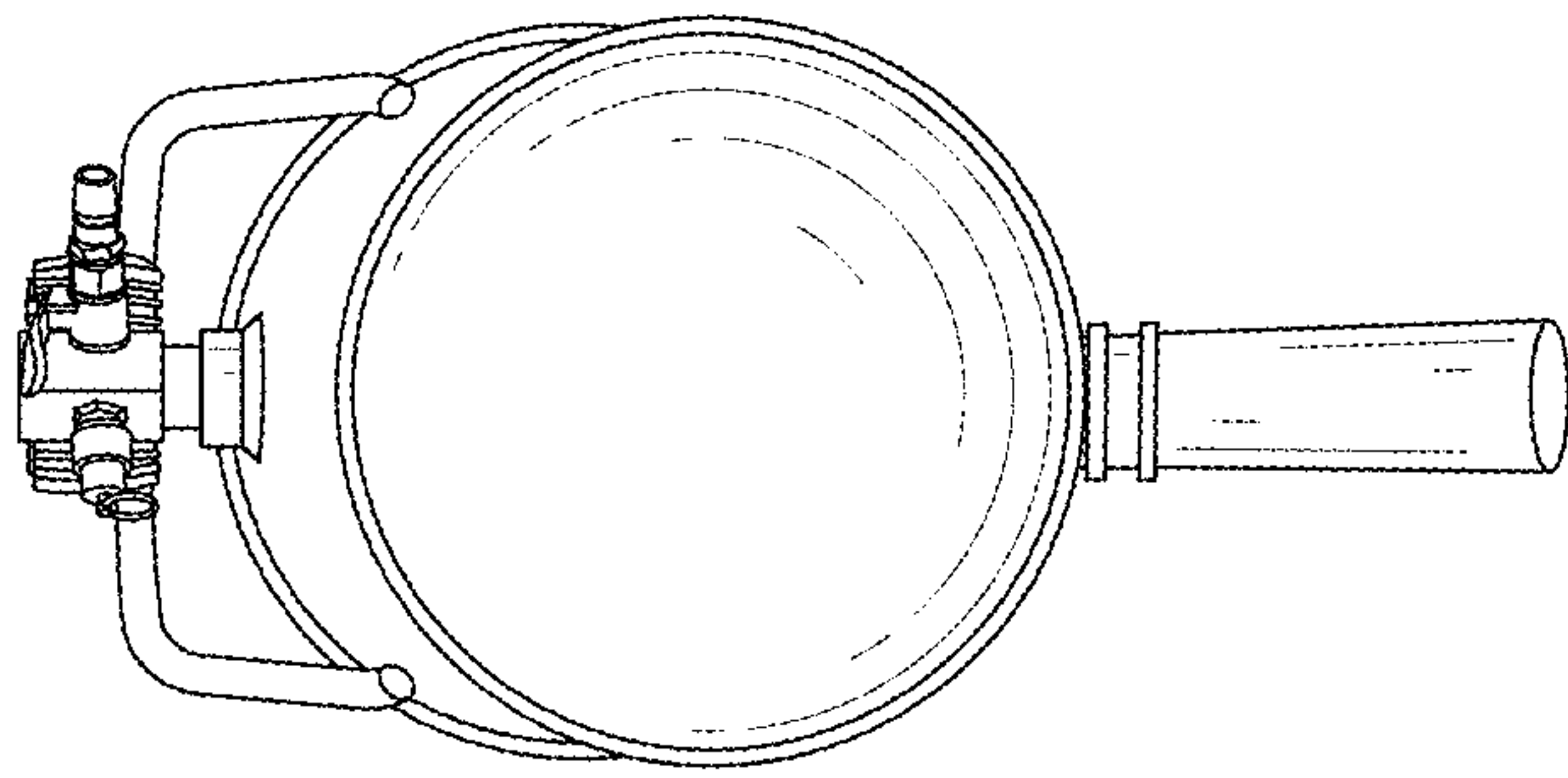


FIG. 4

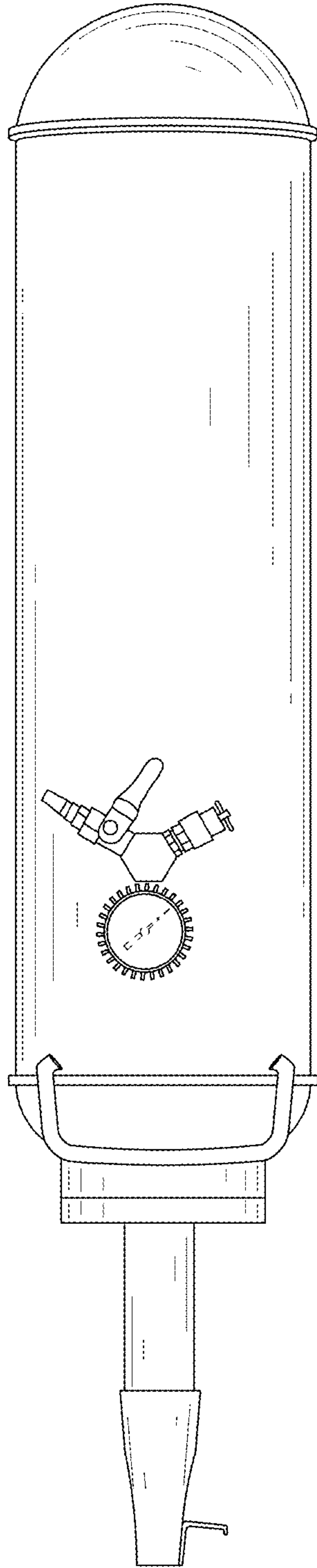


FIG. 5

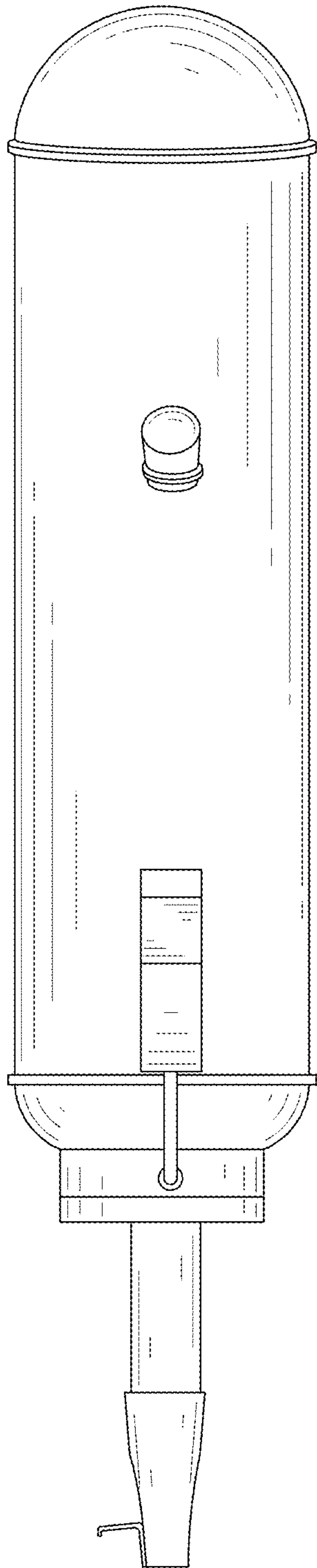


FIG. 6



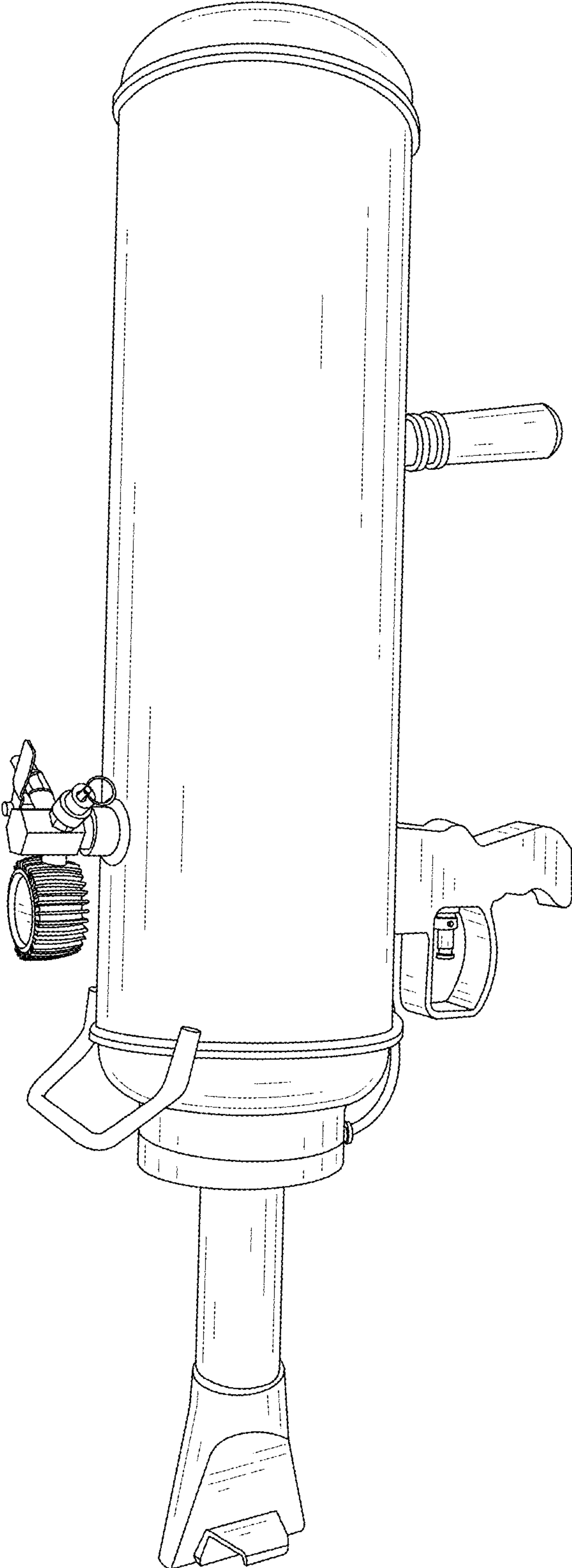


FIG. 7