



US00D888767S

(12) **United States Design Patent**  
**Cenan**

(10) **Patent No.:** **US D888,767 S**  
(45) **Date of Patent:** **\*\* Jun. 30, 2020**

(54) **AUTOMOTIVE ENGINE COVER**

FOREIGN PATENT DOCUMENTS

(71) Applicant: **KARMA AUTOMOTIVE LLC**,  
Irvine, CA (US)

CA 2416018 A1 \* 1/2002 ..... F02F 7/006  
JP 2007009857 A \* 1/2007  
JP 2008137453 A \* 6/2008  
JP 2017129104 A \* 7/2017

(72) Inventor: **Raul M. Cenan**, Marina Del Rey, CA  
(US)

\* cited by examiner

(73) Assignee: **Karma Automotive LLC**, Irvine, CA  
(US)

*Primary Examiner* — Ania Aman

(74) *Attorney, Agent, or Firm* — Gordon Rees Scully  
Mansukhani, LLP

(\*\*) Term: **15 Years**

(57) **CLAIM**

(21) Appl. No.: **29/678,354**

The ornamental design for an automotive engine cover, as shown and described.

(22) Filed: **Jan. 28, 2019**

**DESCRIPTION**

(51) **LOC (12) Cl.** ..... **15-01**

(52) **U.S. Cl.**  
USPC ..... **D15/5**

(58) **Field of Classification Search**  
USPC ..... D15/1-6  
CPC ... F01M 5/00; F16M 1/026; F02P 3/02; F02B  
37/013; F02B 77/13; F02B 77/11; B60R  
13/0838

FIG. 1 is a front, left and top perspective view of an automotive engine cover.

FIG. 2 is a front view of the engine cover of FIG. 1.

FIG. 3 is a rear view of the engine cover of FIG. 1.

FIG. 4 is a right side view of the engine cover of FIG. 1.

FIG. 5 is a left side view of the engine cover of FIG. 1.

FIG. 6 is a top view of the engine cover of FIG. 1; and,

FIG. 7 is a top, front, left and right perspective view of the engine cover of FIG. 1 shown in the environment in which the cover is typically mounted.

The dashed lines showing the various parts of the engine cover are for illustrative purposes only and form no part of the claimed design.

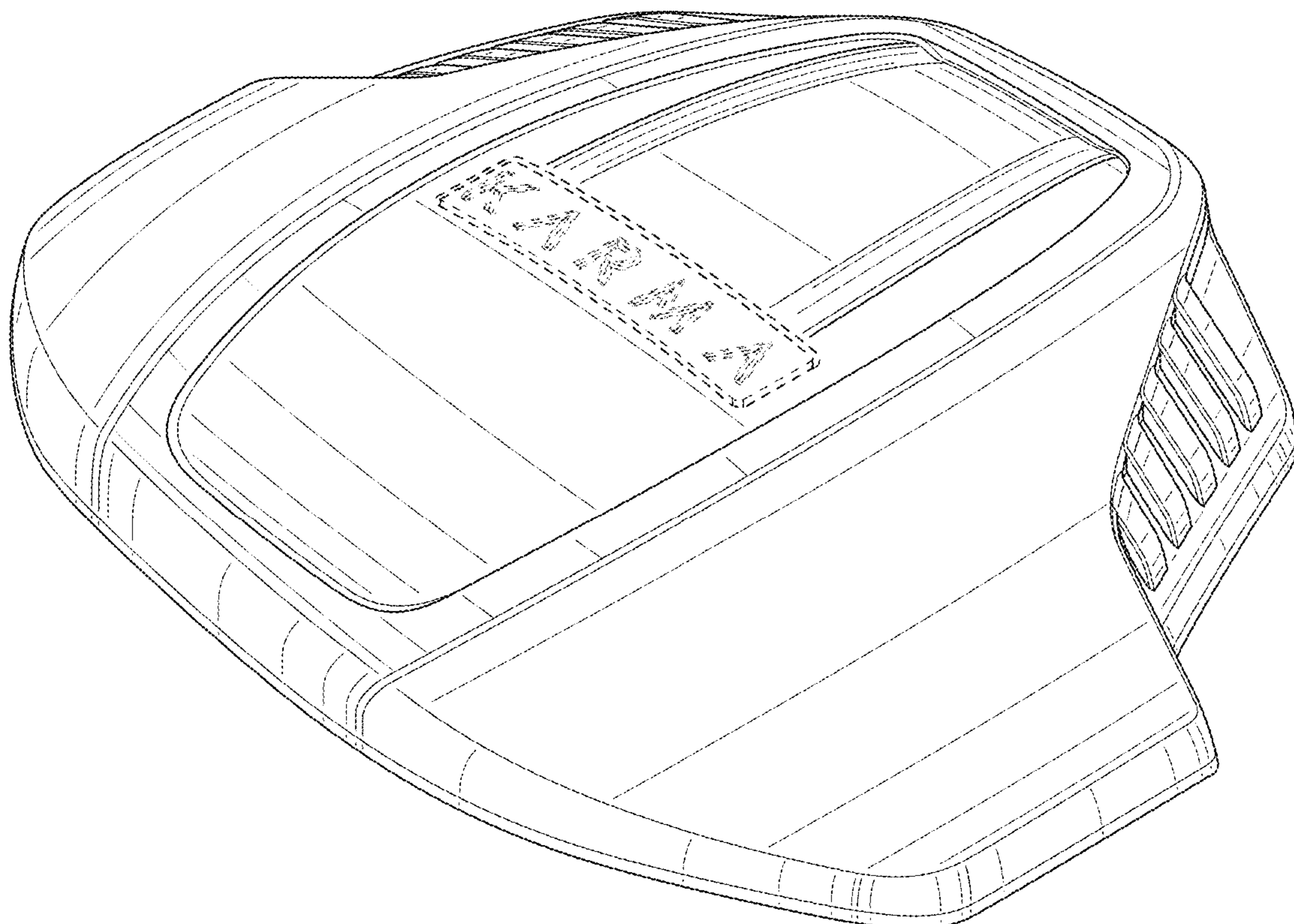
See application file for complete search history.

(56) **References Cited**

U.S. PATENT DOCUMENTS

7,137,378 B1 \* 11/2006 Jaeger ..... F02D 9/1035  
123/198 D  
D700,550 S \* 3/2014 Capristo ..... D12/173

**1 Claim, 5 Drawing Sheets**



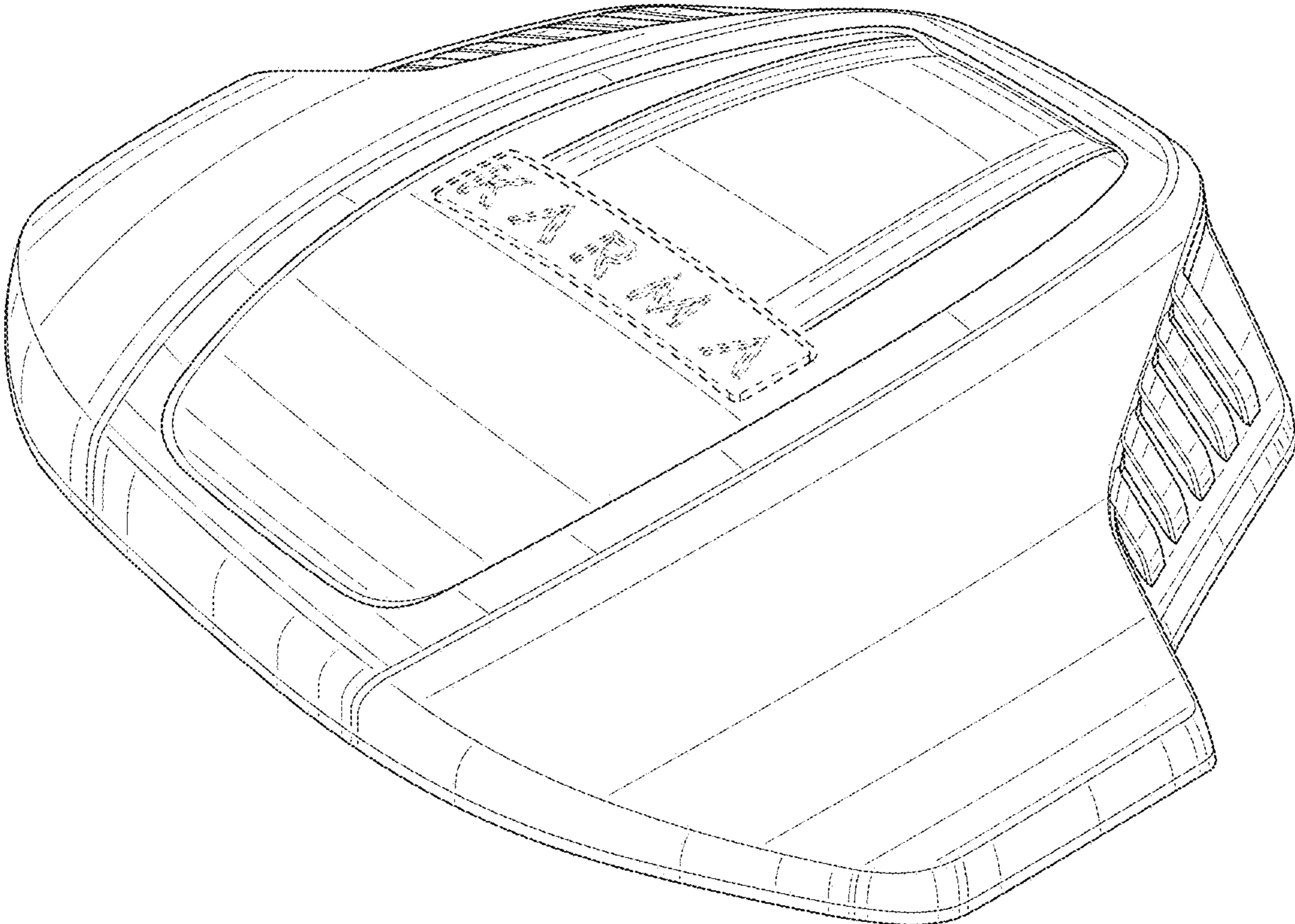


FIG. 1

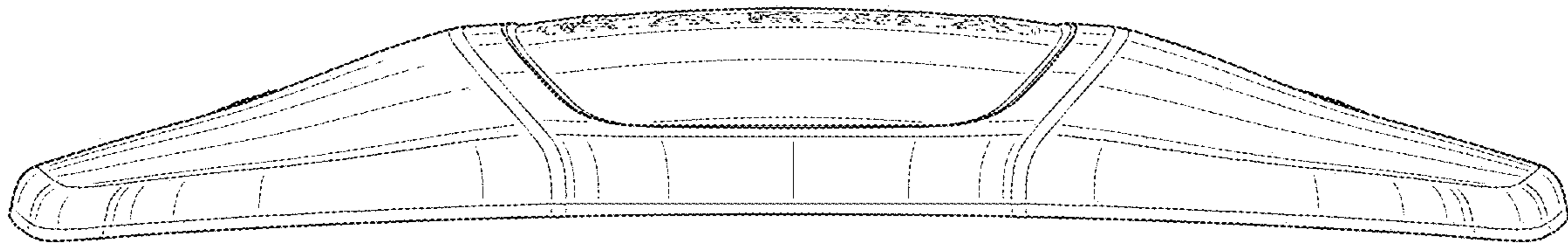


FIG. 2

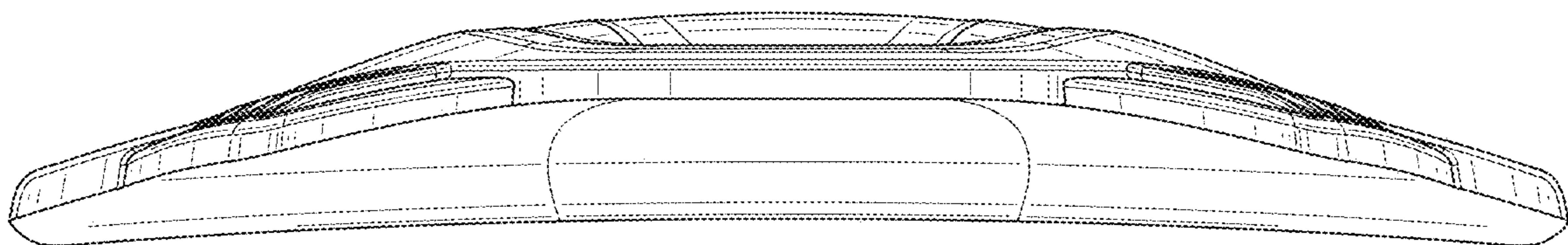


FIG. 3

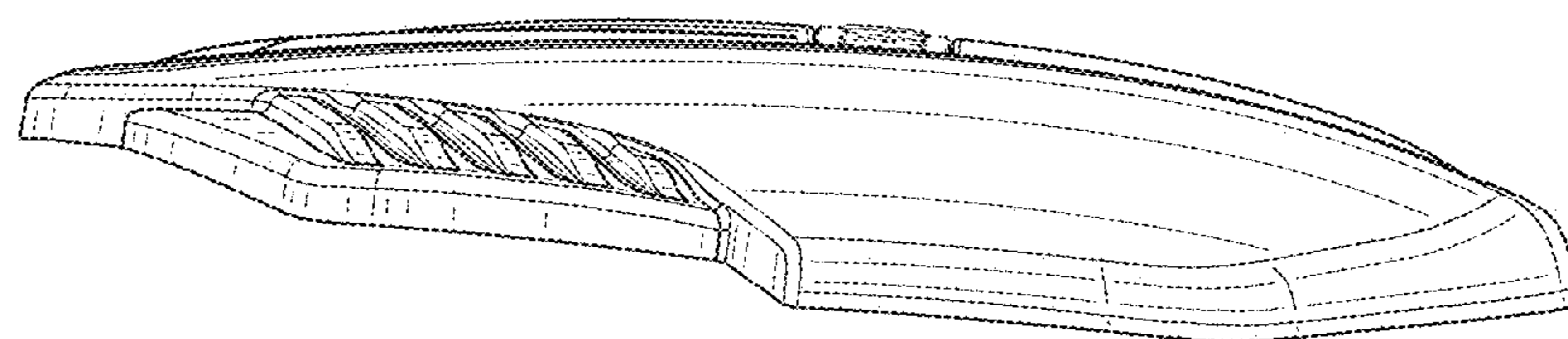


FIG. 4

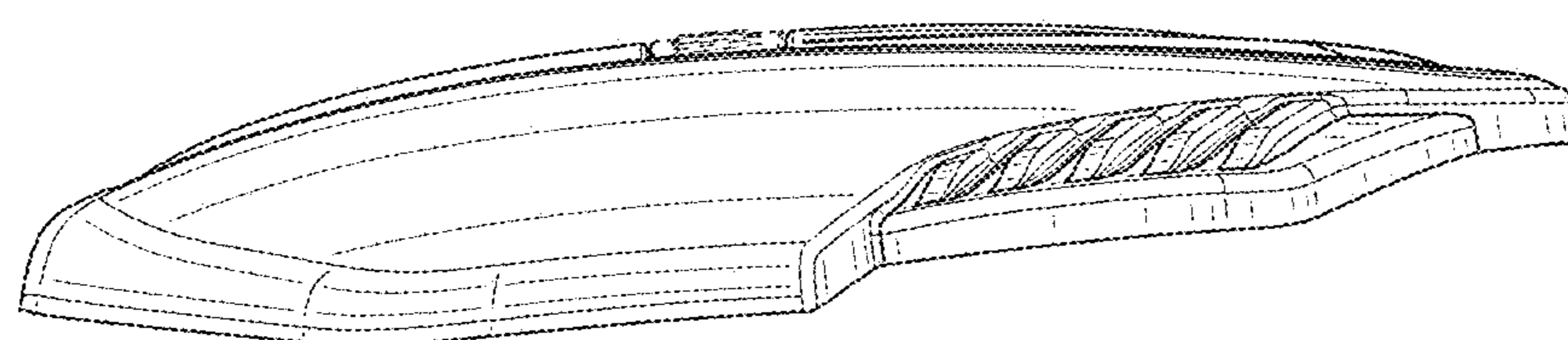


FIG. 5

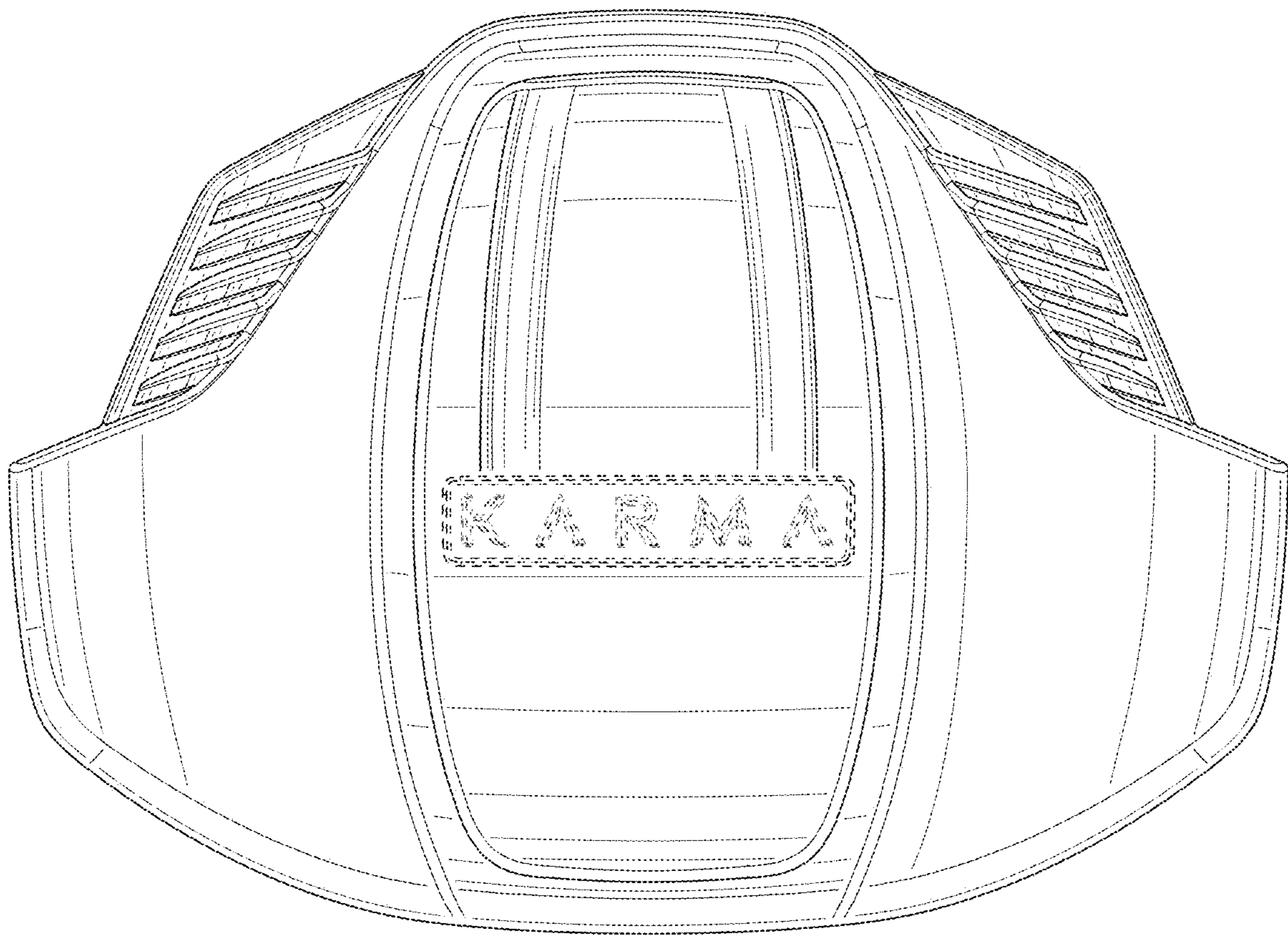


FIG. 6

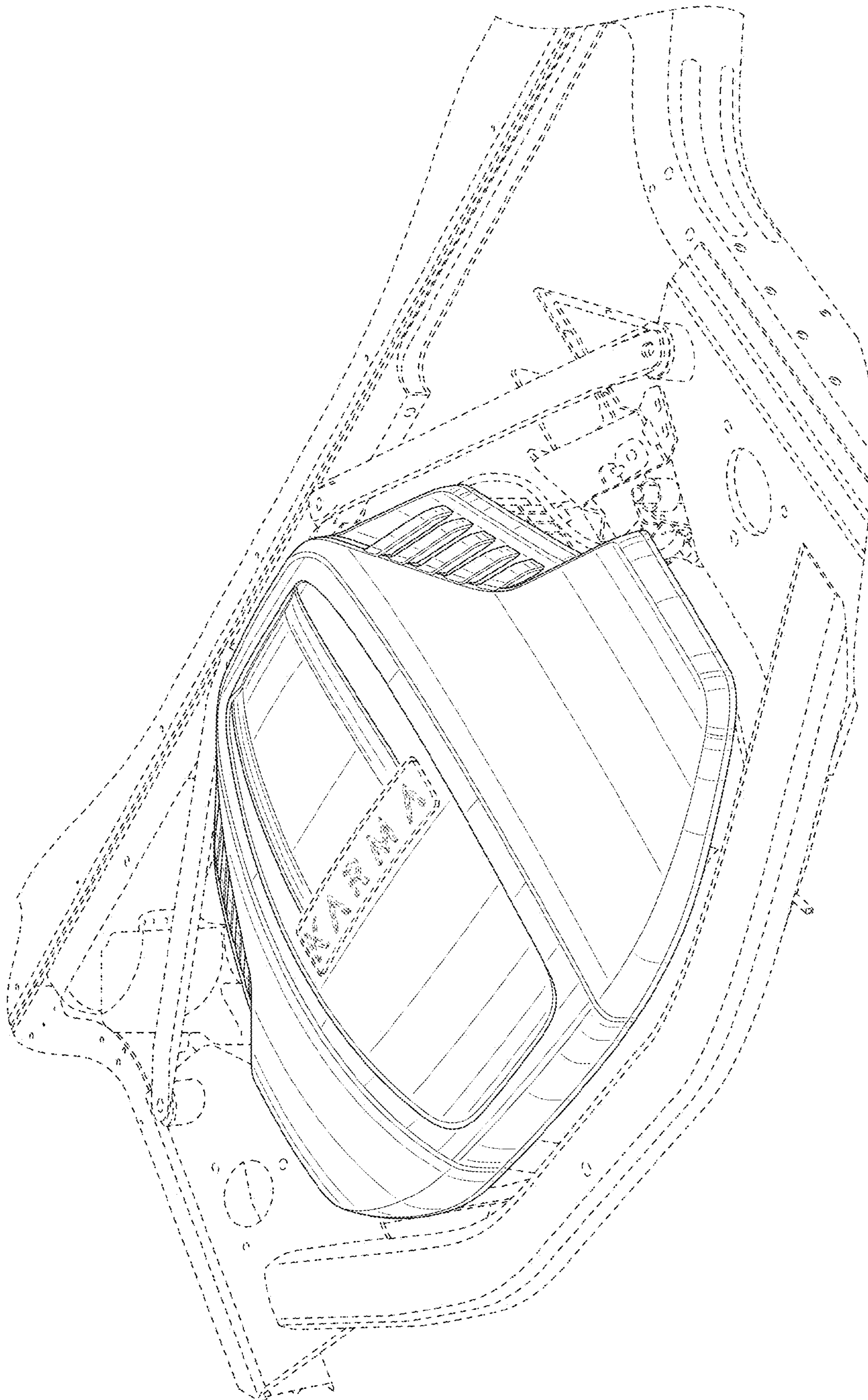


FIG. 7