



US00D888764S

(12) **United States Design Patent**
Lee et al.

(10) **Patent No.:** **US D888,764 S**
(45) **Date of Patent:** **** Jun. 30, 2020**

(54) **DISPLAY SCREEN OR PORTION THEREOF WITH TRANSITIONAL GRAPHICAL USER INTERFACE**

FOREIGN PATENT DOCUMENTS

EM 001712977-0003 6/2010
JP D1530198 8/2015

(71) Applicant: **Samsung Electronics Co., Ltd.**,
Suwon-si (KR)

OTHER PUBLICATIONS

(72) Inventors: **Heon Woo Lee**, Seoul (KR); **Miyeon Park**, Seongnam-si (KR); **Yongman Park**, Yongin-si (KR); **Jakyoung Lee**, Seoul (KR); **Hyerim Kwak**, Seoul (KR); **Soyoung Lee**, Seoul (KR)

ArsTechnica | How Apple Pay and Google Wallet actually work, posted on Oct. 29, 2014, no copyright date posted [online], [site visited May 11, 2017], Available from Internet, <URL: https://arstechnica.com/gadgets/2014/10/how-mobile-payments-really-work/>.

(73) Assignee: **SAMSUNG ELECTRONICS CO., LTD.**, Suwon-si (KR)

(Continued)

(**) Term: **15 Years**

Primary Examiner — Philip S Hyder

Assistant Examiner — Cary M Robinson

(21) Appl. No.: **29/721,297**

(74) *Attorney, Agent, or Firm* — McAndrews Held & Malloy, Ltd.

(22) Filed: **Jan. 20, 2020**

(57) **CLAIM**

Related U.S. Application Data

The ornamental design for a display screen or portion thereof with transitional graphical user interface, as shown and described.

(60) Continuation of application No. 29/698,312, filed on Jul. 16, 2019, now Pat. No. Des. 873,300, which is a
(Continued)

DESCRIPTION

(30) **Foreign Application Priority Data**

Nov. 18, 2015 (KR) 30-2015-0058205

(51) **LOC (12) Cl.** **14-04**

(52) **U.S. Cl.**
USPC **D14/492**

(58) **Field of Classification Search**
USPC D14/485–495
(Continued)

FIG. 1 is a first image in a sequence for a display screen or portion thereof with transitional graphical user interface showing our new design;

FIG. 2 is a second image thereof; and,
FIG. 3 is a third image thereof.

The broken lines at the outer perimeter of the figures depict a display screen or portion thereof and form no part of the claimed design. The remaining broken lines in the figures depict portions of the graphical user interface that form no part of the claimed design.

The appearance of the transitional graphical user interface sequentially transitions between the images shown in FIGS. 1-3. The process or period in which one image transitions to another forms no part of the claimed design.

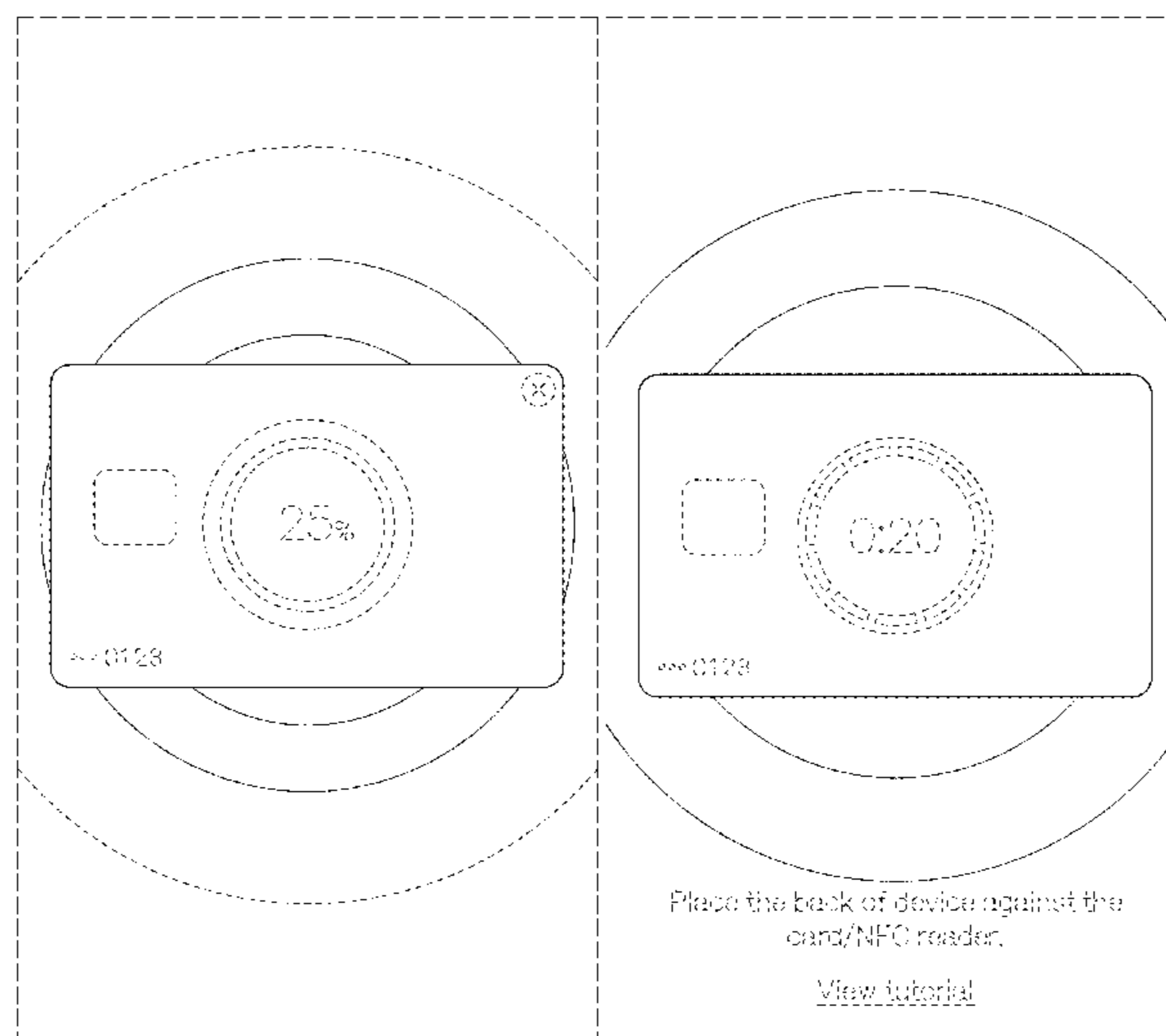
(56) **References Cited**

U.S. PATENT DOCUMENTS

6,540,260 B1 4/2003 Tan
D481,736 S 11/2003 Ombao

(Continued)

1 Claim, 3 Drawing Sheets



Related U.S. Application Data

continuation of application No. 29/679,877, filed on Feb. 11, 2019, now Pat. No. Des. 858,576, which is a continuation of application No. 29/628,115, filed on Dec. 1, 2017, now Pat. No. Des. 844,668, which is a division of application No. 29/608,638, filed on Jun. 23, 2017, now Pat. No. Des. 807,398, which is a division of application No. 29/564,971, filed on May 17, 2016, now Pat. No. Des. 794,048.

- (58) **Field of Classification Search**
 CPC ... B60K 37/00; G06F 3/0481; G06F 3/04845; G06F 3/04817; G06F 17/212; G06F 19/3406; G06T 13/80; G06T 15/02
 See application file for complete search history.

- (56) **References Cited**

U.S. PATENT DOCUMENTS

D617,804 S	6/2010	Hirsch	
D627,360 S	11/2010	Aarseth	
D644,243 S	8/2011	Matas	
D669,497 S	10/2012	Lee	
D690,717 S	10/2013	Thomsen	
D703,692 S	4/2014	Phelan	
D738,380 S	9/2015	Nielsen	
D739,872 S	9/2015	Bang	
D744,496 S	12/2015	Seo	
D746,857 S	1/2016	Rayit	
D746,866 S	1/2016	Memoria	
D750,644 S	3/2016	Bhutani	
D752,061 S	3/2016	Ahn	
D753,151 S	4/2016	Lee	
D754,713 S	4/2016	Zhang	
D756,401 S	5/2016	Soldner	
D757,746 S	5/2016	Lee	
D759,061 S	6/2016	Sahoo	
D760,283 S	6/2016	Horiuchi	
D761,277 S	7/2016	Harvell	
D761,812 S	7/2016	Motamedi	
D761,857 S	7/2016	Mariet	
D762,671 S	8/2016	Chan	
D763,861 S	8/2016	Kaasalainen	
D763,869 S	8/2016	Wang	
D765,101 S	8/2016	Park	
D766,308 S	9/2016	Park	
D769,312 S	10/2016	Chen	
D769,889 S	10/2016	Kuhn	
D773,531 S	12/2016	Toth	
D774,081 S	12/2016	Yoo	
D775,658 S	1/2017	Luo	
D776,152 S	1/2017	Park	
D776,687 S	1/2017	Wick	
D777,200 S	1/2017	Luo	
D777,762 S	1/2017	Park	
D777,778 S	1/2017	Park	
D780,781 S	3/2017	Ding	
D783,633 S	4/2017	Oh	
D783,652 S	4/2017	Guan	
D784,369 S	4/2017	Kuhn	
D784,370 S	4/2017	Kuhn	
D785,013 S	4/2017	Kuhn	
D791,161 S	7/2017	Hatzikostas	
D791,830 S	7/2017	Szeto	
D792,900 S	7/2017	Gaur	
D794,048 S	8/2017	Lee	
D794,055 S	8/2017	Kim	
D796,527 S	9/2017	Lee	
D797,123 S	9/2017	Lee	
D797,124 S	9/2017	Lee	
D797,125 S	9/2017	Lee	
D800,779 S	10/2017	Lee	
D801,350 S	10/2017	Rejkowski	
D803,870 S	* 11/2017	Landry	D14/488
D803,881 S	11/2017	Hurley	

D804,494 S	12/2017	Bombolowsky	
D804,497 S	12/2017	Akatsu	
D804,498 S	12/2017	Akatsu	
D805,528 S	12/2017	Hersh	
D806,091 S	12/2017	Weaver	
D806,125 S	12/2017	Jewitt	
D806,717 S	1/2018	Bae	
D806,751 S	1/2018	Lee	
D807,398 S	1/2018	Lee	
D807,399 S	1/2018	Lee	
D808,423 S	1/2018	Jiang	
D809,522 S	2/2018	Mizono	
D811,421 S	2/2018	Caldwell	
D813,245 S	3/2018	Mariet	
D813,884 S	3/2018	Penker	
D815,109 S	4/2018	Weaver	
D815,666 S	4/2018	Burns	
D816,690 S	5/2018	Lee	
D819,685 S	6/2018	Lee	
D820,288 S	6/2018	Howell	
D821,434 S	6/2018	Park	
D824,405 S	7/2018	Narinedhat	
D826,272 S	8/2018	Lee	
D826,273 S	8/2018	Lee	
D826,274 S	8/2018	Lee	
D826,967 S	8/2018	Li	
D826,987 S	8/2018	Lee	
10,046,144 B2	8/2018	Lampropoulos	
D828,370 S	9/2018	Lee	
D828,852 S	9/2018	Park	
D829,219 S	9/2018	Bae	
D829,241 S	9/2018	Clapper	
D829,764 S	10/2018	Clapper	
D831,035 S	10/2018	McGlasson	
D831,054 S	10/2018	Moon	
D831,059 S	10/2018	Bao	
D832,298 S	* 10/2018	Joensson	D14/486
D834,042 S	11/2018	Bae	
D834,596 S	11/2018	Bae	
D835,632 S	12/2018	Liu	
D835,665 S	* 12/2018	Kimura	D14/488
D837,262 S	1/2019	Lee	
D844,029 S	3/2019	Bebbington	
D844,668 S	4/2019	Lee	
D847,854 S	* 5/2019	Christian	D14/488
D848,479 S	5/2019	Lee	
D848,480 S	5/2019	Lee	
D848,481 S	5/2019	Lee	
D848,482 S	5/2019	Lee	
D849,792 S	5/2019	Lee	
D857,749 S	8/2019	Brinker	
D858,576 S	9/2019	Lee	
D865,813 S	* 11/2019	Lee	D14/492
D866,584 S	* 11/2019	Burroughs	D14/486
D873,300 S	* 1/2020	Lee	D14/492
D874,519 S	* 2/2020	Samuels	D14/492
2004/0223004 A1	11/2004	Lincke	
2007/0136679 A1	6/2007	Yang	
2008/0126992 A1	5/2008	Scheu	
2010/0299637 A1	11/2010	Chmielewski	
2012/0096383 A1	4/2012	Sakamoto	
2012/0124520 A1	5/2012	Samp	
2013/0103580 A1	4/2013	Ventura	
2013/0127911 A1	5/2013	Brown	
2014/0282132 A1	9/2014	Daly, IV	
2015/0019966 A1	1/2015	Jeon	
2015/0040052 A1	2/2015	Noel	
2015/0348029 A1	12/2015	Van Os	
2016/0011850 A1	1/2016	Sheen	
2016/0103562 A1	4/2016	Bombolowsky	
2016/0337346 A1	11/2016	Momchilov	
2017/0109178 A1	4/2017	Chen	
2017/0185991 A1	6/2017	Park	

OTHER PUBLICATIONS

Samsung Newsroom | Products | Mobile | Samsung Pay Trial Service Launched in Korea, posted on Jul. 16, 2015, copyright© 2011-2017 Samsung [online], [site visited May 11, 2017], Available

(56)

References Cited

OTHER PUBLICATIONS

from Internet, URL: <https://news.samsung.com/global/samsung-pay-trial-service-launched-in-korea/>.

Unknown, “How to Configure Apple Pay on iPhone 6 and iPhone 6 Plus iOS [How-To]”, published Oct. 21, 2014 on the internet at OSXiOExpert: <https://www.osxioexpert.com/setup-apple-pay-iphone-6-ios-81> (Last accessed Jun. 22, 2017).

Broussard, Mitchel, “Home Depot Quietly Drops Apple Pay, But Service Continues to Work at Many Store”, published May 5, 2015 at MacRumors: <https://www.macrumors.com/2015/05/05/home-depot-quietly-drops-apple-pay/> (Last accessed Jun. 22, 2017).

Unknown, “Apple Pay—Banco Santander”, unknown publishing date, <https://www.bancosantander.es/es/particulares/banca-online/apple-pay> (Last accessed Jun. 22, 2017).

Blog Spoon Graphics | Tutorials | How to Create a Vector Illustration from Start to Finish, posted on Jun. 15, 2015, no copyright date posted [online], [site visited Aug. 30, 2017]. Available from Internet, [URL: https://blog.spoongraphics.co.uk/tutorials/how-to-create-a-vector-illustration-from-start-to-finish/](https://blog.spoongraphics.co.uk/tutorials/how-to-create-a-vector-illustration-from-start-to-finish/) (Last accessed Dec. 1, 2017).

* cited by examiner

FIG. 1

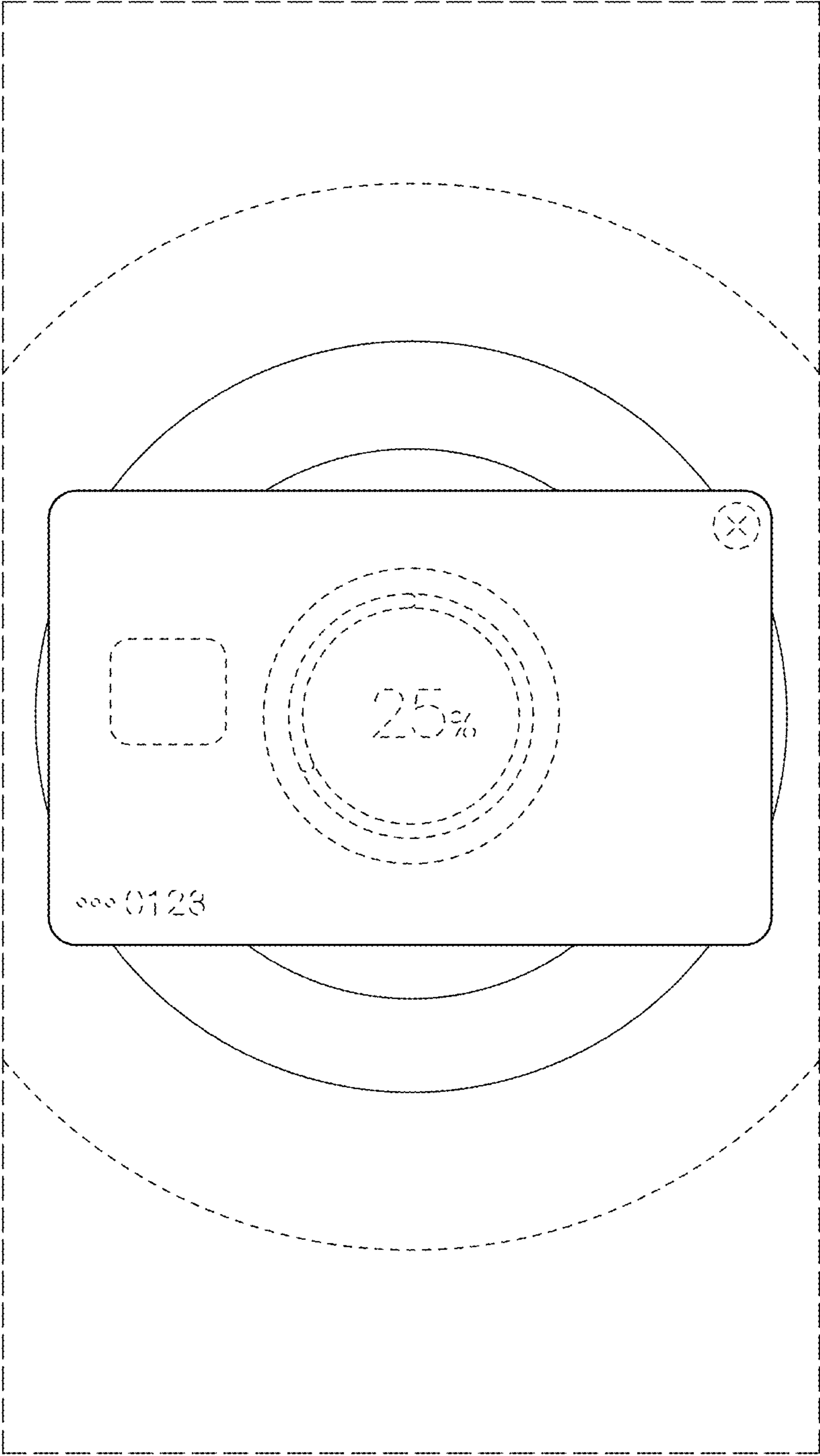


FIG. 2

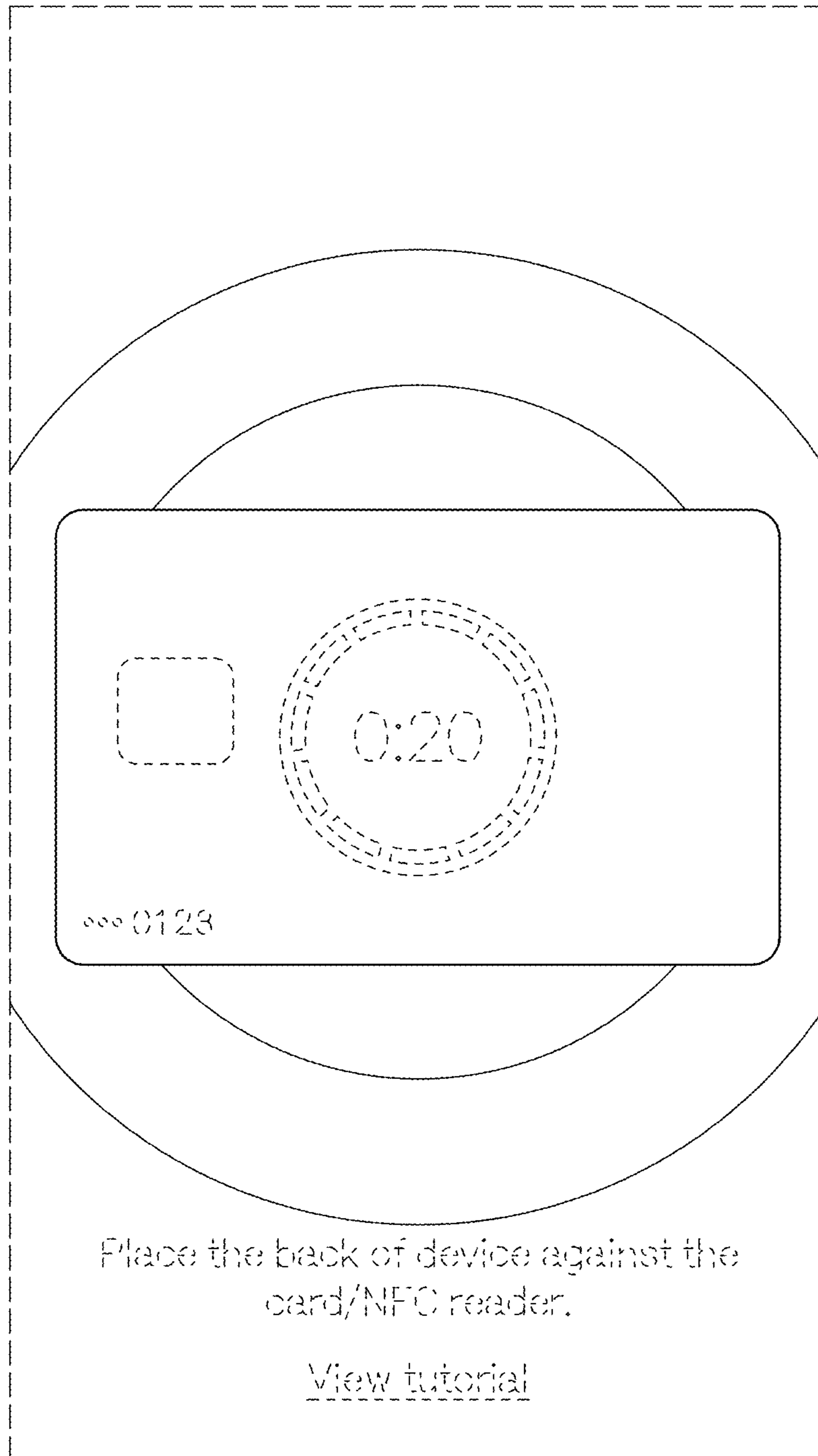


FIG. 3

