



US00D888761S

(12) **United States Design Patent** (10) **Patent No.:** **US D888,761 S**  
**Pazmino et al.** (45) **Date of Patent:** **\*\* Jun. 30, 2020**

(54) **DISPLAY PANEL OR PORTION THEREOF WITH A TRANSITIONAL GRAPHICAL USER INTERFACE**

*Primary Examiner* — Jack Reickel  
*Assistant Examiner* — John M Otte  
(74) *Attorney, Agent, or Firm* — Vista IP Law Group LLP

(71) Applicant: **MAGIC LEAP, INC.**, Plantation, FL (US)

(57) **CLAIM**

(72) Inventors: **Lorena Pazmino**, Wilton Manors, FL (US); **Gregory Minh Tran**, Miami, FL (US); **Brian Everett Meaney**, Parkland, FL (US); **James M. Powderly**, Fort Lauderdale, FL (US); **William Adams**, New York, NY (US); **Ian Michener Bradley**, Brooklyn, NY (US)

The ornamental design for a display panel or portion thereof with a transitional graphical user interface, as shown and described.

**DESCRIPTION**

(73) Assignee: **Magic Leap, Inc.**, Plantation, FL (US)

FIG. 1 is a front view of a display panel or portion thereof with a graphical user interface showing a first image in a sequence of our design;

(\*\*) Term: **15 Years**

FIG. 2 is a front view of a display panel or portion thereof with a graphical user interface showing a second image in the sequence thereof;

(21) Appl. No.: **29/657,585**

FIG. 3 is a front view of a display panel or portion thereof with a graphical user interface showing a third image in the sequence thereof;

(22) Filed: **Jul. 24, 2018**

FIG. 4 is a front view of a display panel or portion thereof with a graphical user interface showing a fourth image in the sequence thereof;

(51) **LOC (12) Cl.** ..... **14-04**

(52) **U.S. Cl.**  
USPC ..... **D14/489**

FIG. 5 is a front view of a display panel or portion thereof with a graphical user interface showing a fifth image in the sequence thereof;

(58) **Field of Classification Search**  
USPC ..... D14/485–495; D20/11; D21/324, 325  
(Continued)

FIG. 6 is a front view of a display panel or portion thereof with a graphical user interface showing a sixth image in the sequence thereof;

(56) **References Cited**

U.S. PATENT DOCUMENTS

6,774,914 B1 \* 8/2004 Benayoun ..... G06F 3/04815  
345/650  
D563,990 S \* 3/2008 Okuyama ..... D14/492  
(Continued)

FIG. 7 is a front view of a display panel or portion thereof with a graphical user interface showing a seventh image in the sequence thereof;

OTHER PUBLICATIONS

“JS13kGames 2017 making-of: LOSSST” Jul.-Sep. 2017, posted at xem.github.io, [site visited Mar. 4, 2020]. <https://xem.github.io/articles/js13k17> (Year: 2017).\*

FIG. 8 is a front view of a display panel or portion thereof with a graphical user interface showing an eighth image in the sequence thereof;

(Continued)

FIG. 9 is a front view of a display panel or portion thereof with a graphical user interface showing a ninth image in the sequence thereof;

FIG. 10 is a front view of a display panel or portion thereof with a graphical user interface showing a tenth image in the sequence thereof;

(Continued)

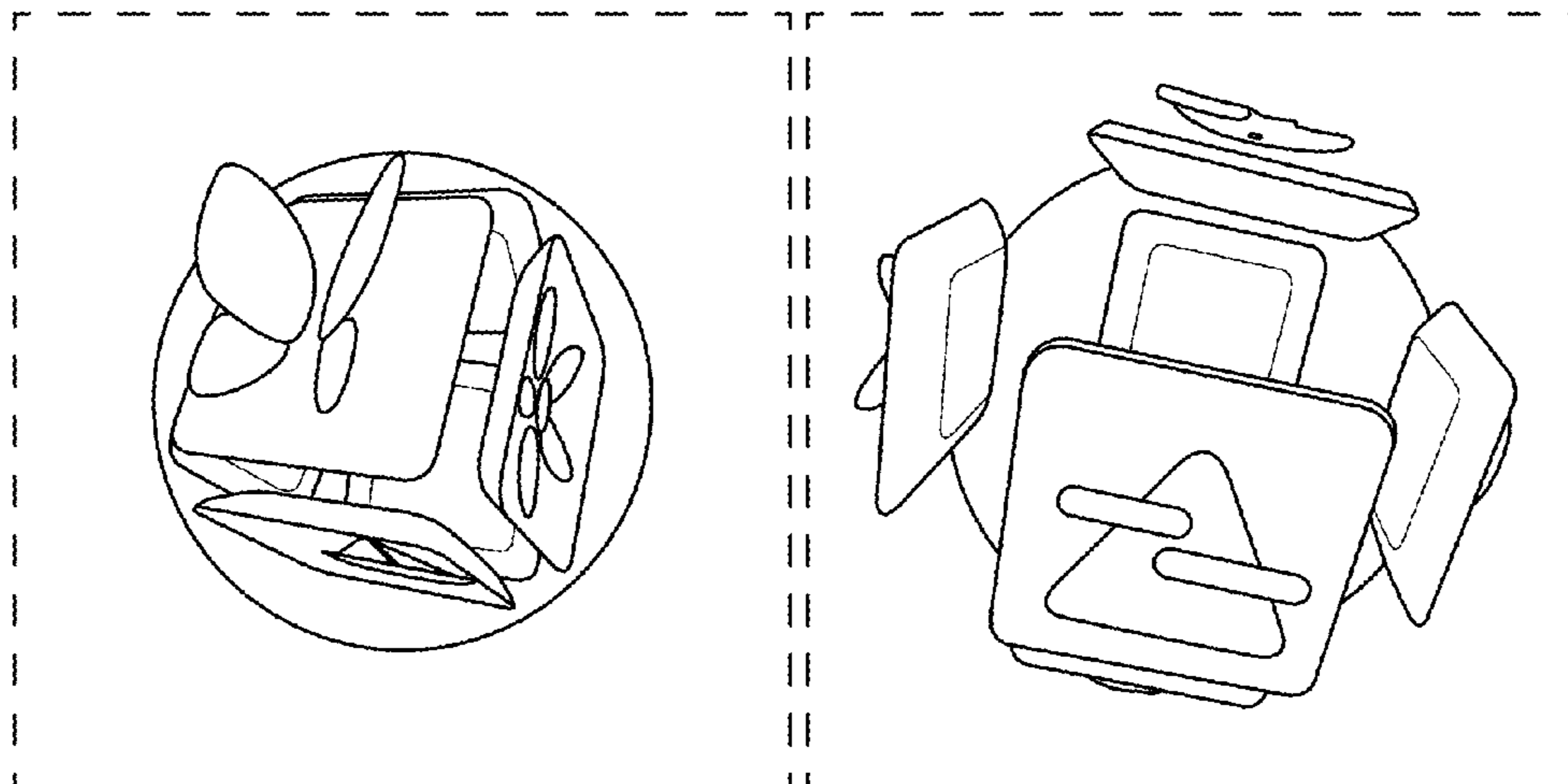


FIG. 11 is a front view of a display panel or portion thereof with a graphical user interface showing an eleventh image in the sequence thereof;

FIG. 12 is a front view of a display panel or portion thereof with a graphical user interface showing a twelfth image in the sequence thereof;

FIG. 13 is a front view of a display panel or portion thereof with a graphical user interface showing a thirteenth image in the sequence thereof;

FIG. 14 is a front view of a display panel or portion thereof with a graphical user interface showing a fourteenth image in the sequence thereof;

FIG. 15 is a front view of a display panel or portion thereof with a graphical user interface showing a fifteenth image in the sequence thereof;

FIG. 16 is a front view of a display panel or portion thereof with a graphical user interface showing a sixteenth image in the sequence thereof;

FIG. 17 is a front view of a display panel or portion thereof with a graphical user interface showing a seventeenth image in the sequence thereof;

FIG. 18 is a front view of a display panel or portion thereof with a graphical user interface showing an eighteenth image in the sequence thereof;

FIG. 19 is a front view of a display panel or portion thereof with a graphical user interface showing a nineteenth image in the sequence thereof;

FIG. 20 is a front view of a display panel or portion thereof with a graphical user interface showing a twentieth image in the sequence thereof;

FIG. 21 is a front view of a display panel or portion thereof with a graphical user interface showing a twenty-first image in the sequence thereof;

FIG. 22 is a front view of a display panel or portion thereof with a graphical user interface showing a twenty-second image in the sequence thereof; and,

FIG. 23 is a front view of a display panel or portion thereof with a graphical user interface showing a twenty-third image in the sequence thereof.

Appearance of the transitional image sequentially transitions between the images shown in FIGS. 1-23. The process or period in which one image transitions into another image forms no part of the claimed design.

The outermost broken line square illustrates a display panel or portion thereof that forms no part of the claimed design.

**1 Claim, 23 Drawing Sheets**

(58) **Field of Classification Search**

CPC .... G06F 3/048; G06F 3/0481; G06F 3/04815; G06F 3/04817; G06F 3/0482; G06F 3/0483; G06F 3/04842; G06F 3/0485; G06F 3/04855; G06F 3/0486; G06F 3/0488; G06F 3/04886; G06F 9/4443; G06F 17/211; G06F 17/212

See application file for complete search history.

(56) **References Cited**

U.S. PATENT DOCUMENTS

D576,635	S	*	9/2008	Nathan	.....	D14/488
D623,657	S	*	9/2010	Fitzmaurice	.....	D14/488
D690,310	S	*	9/2013	Brinda	.....	D14/485
D712,910	S	*	9/2014	Liao	.....	D14/486
D752,629	S	*	3/2016	He	.....	D14/487
D758,382	S	*	6/2016	Hirai	.....	D14/485
D800,168	S	*	10/2017	Hinze	.....	D14/492
D800,775	S	*	10/2017	Hinze	.....	D14/492
D822,036	S	*	7/2018	Carlson	.....	D14/485
D845,340	S	*	4/2019	Wu	.....	D14/489
2012/0036459	A1	*	2/2012	Pei	.....	G06F 3/04815 715/765

OTHER PUBLICATIONS

“Ino AI Multi-Camera Assistants for Taking Snaps with Friends” Jun. 19, 2018, posted at snaps.ai, [site visited Mar. 4, 2020]. <https://web.archive.org/web/20180619140615/http://snaps.ai> (Year: 2018).\*

“Upload-2fa4ecf0-01df-11e4-bed7-0d5aa4e703b6.gif” Nov. 15, 2016, posted at kerokebonito.com, [site visited Mar. 4, 2020]. <https://rm-content.s3.amazonaws.com/528cdf73303e3d89700003f5/33696/upload-2fa4ecf0-01df-11e4-bed7-0d5aa4e703b6.gif> (Year: 2016).\*

\* cited by examiner

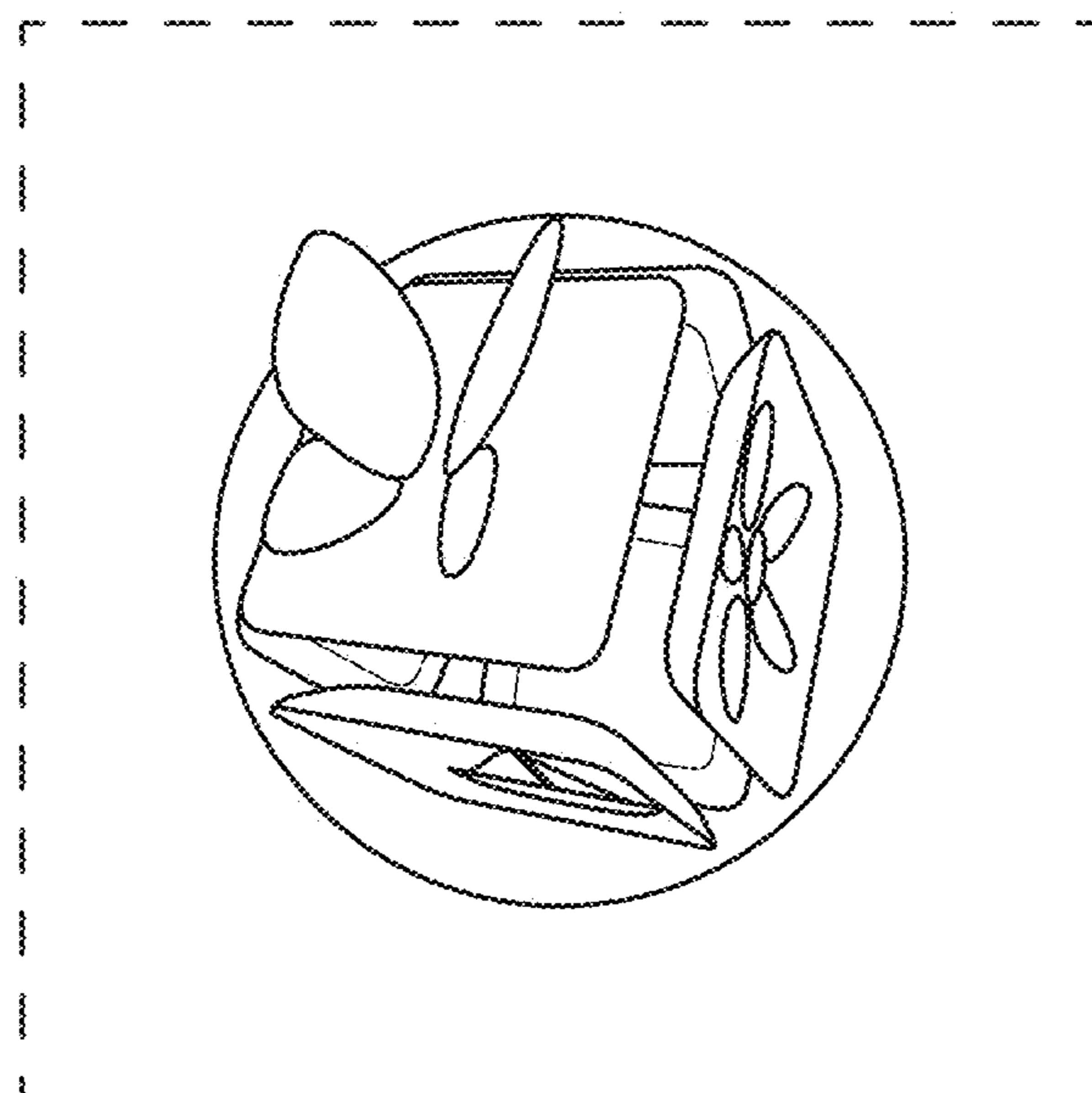


FIG. 1

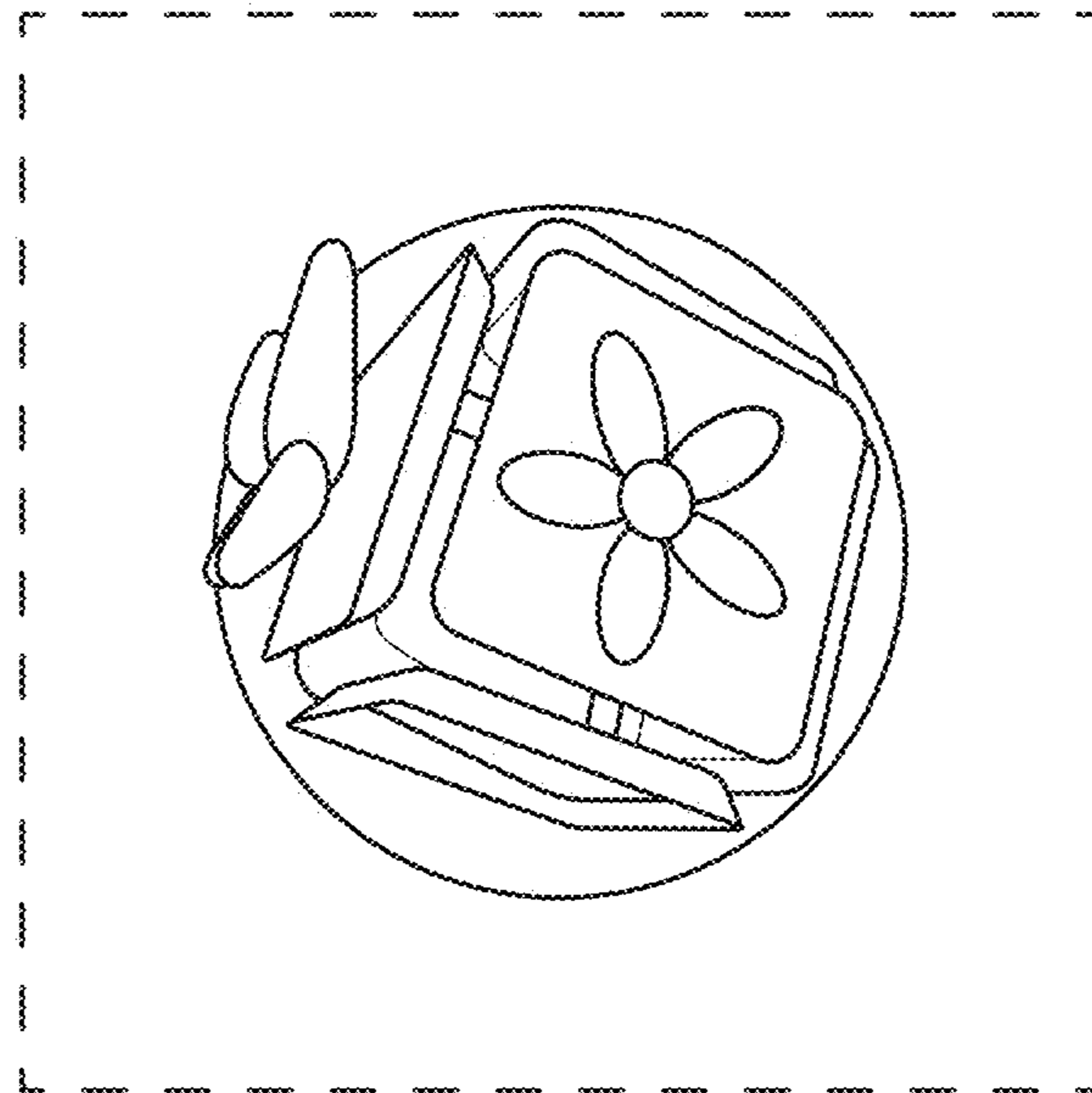


FIG. 2

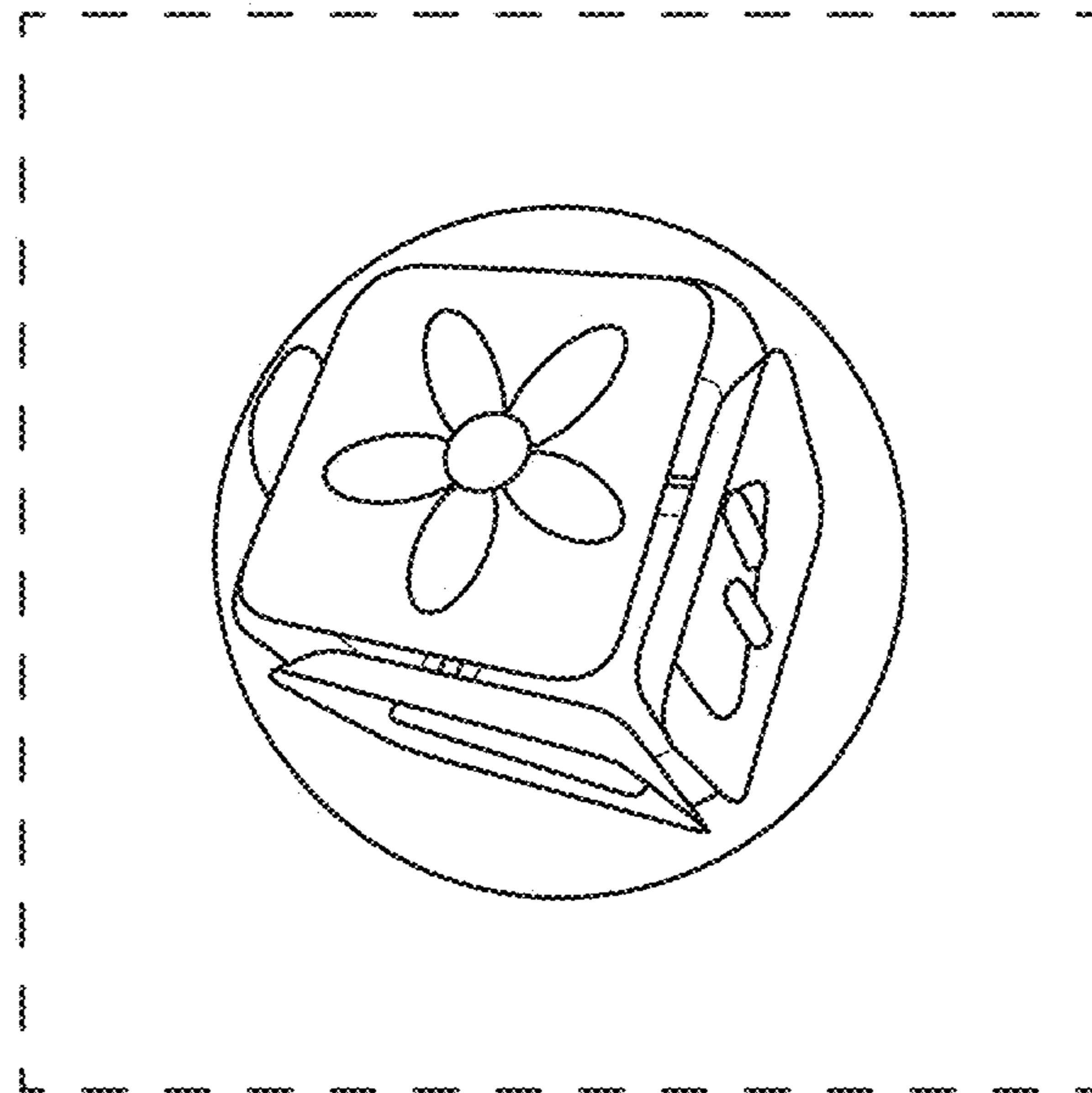


FIG. 3

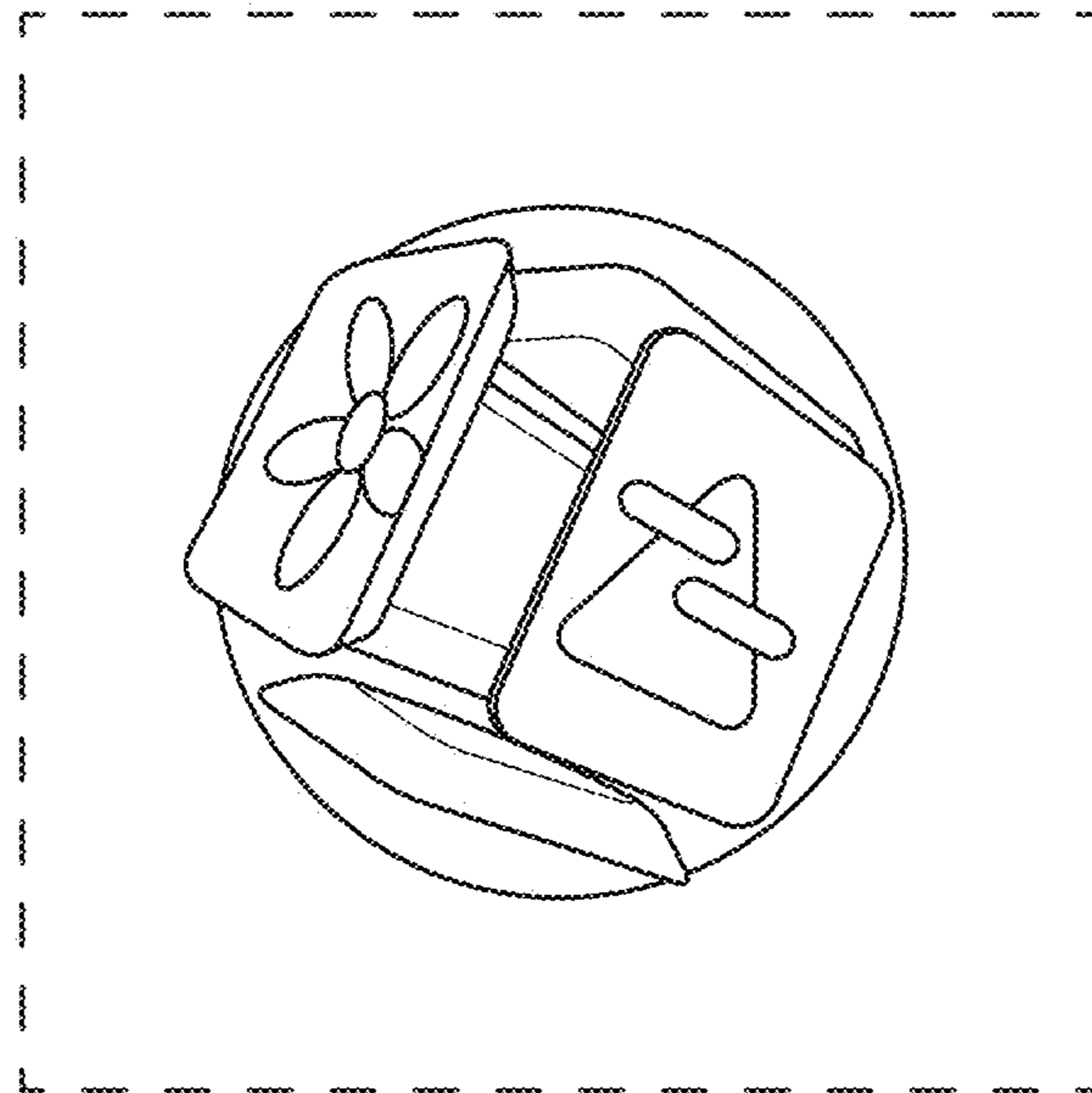


FIG. 4

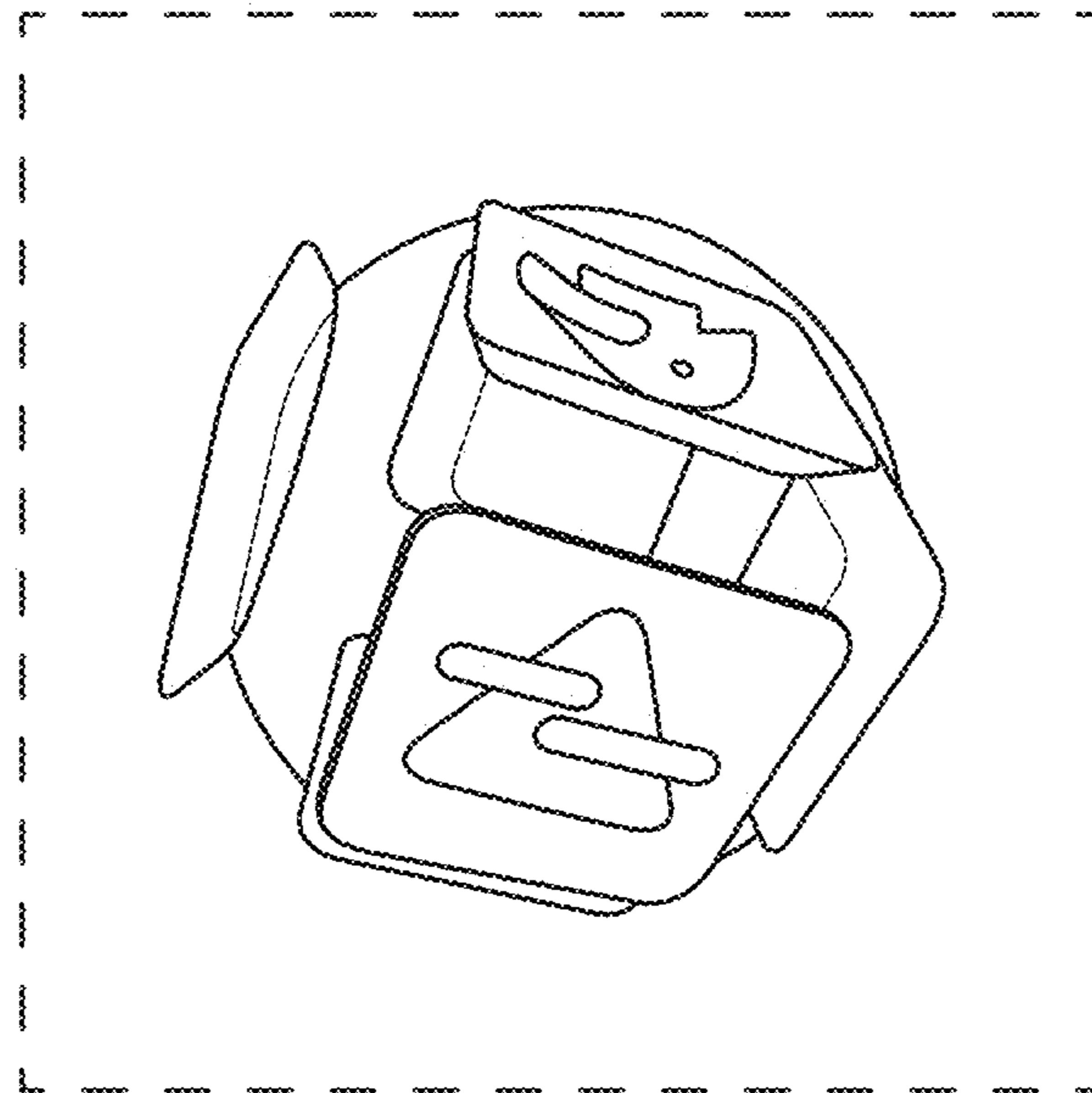


FIG. 5

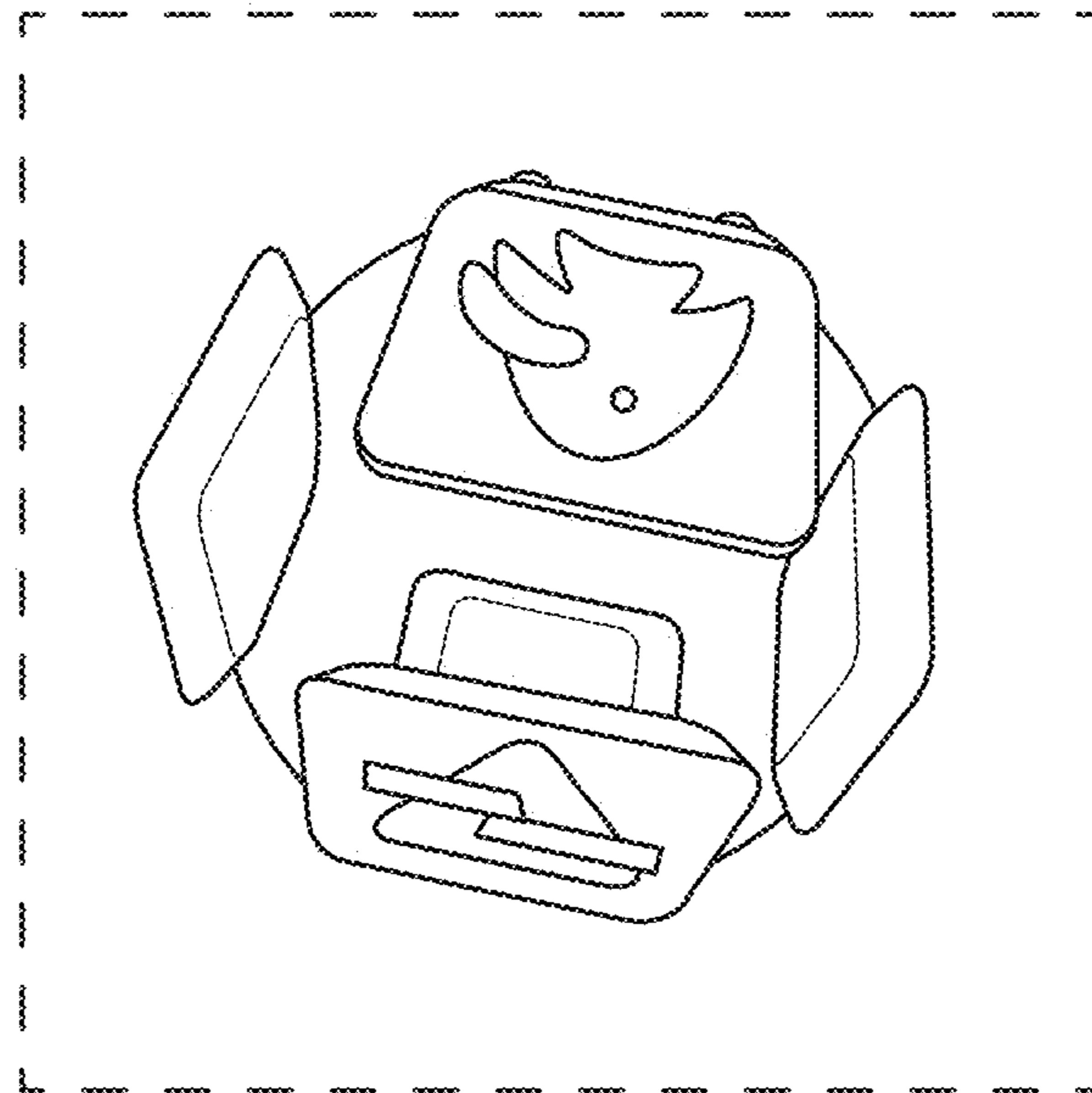


FIG. 6



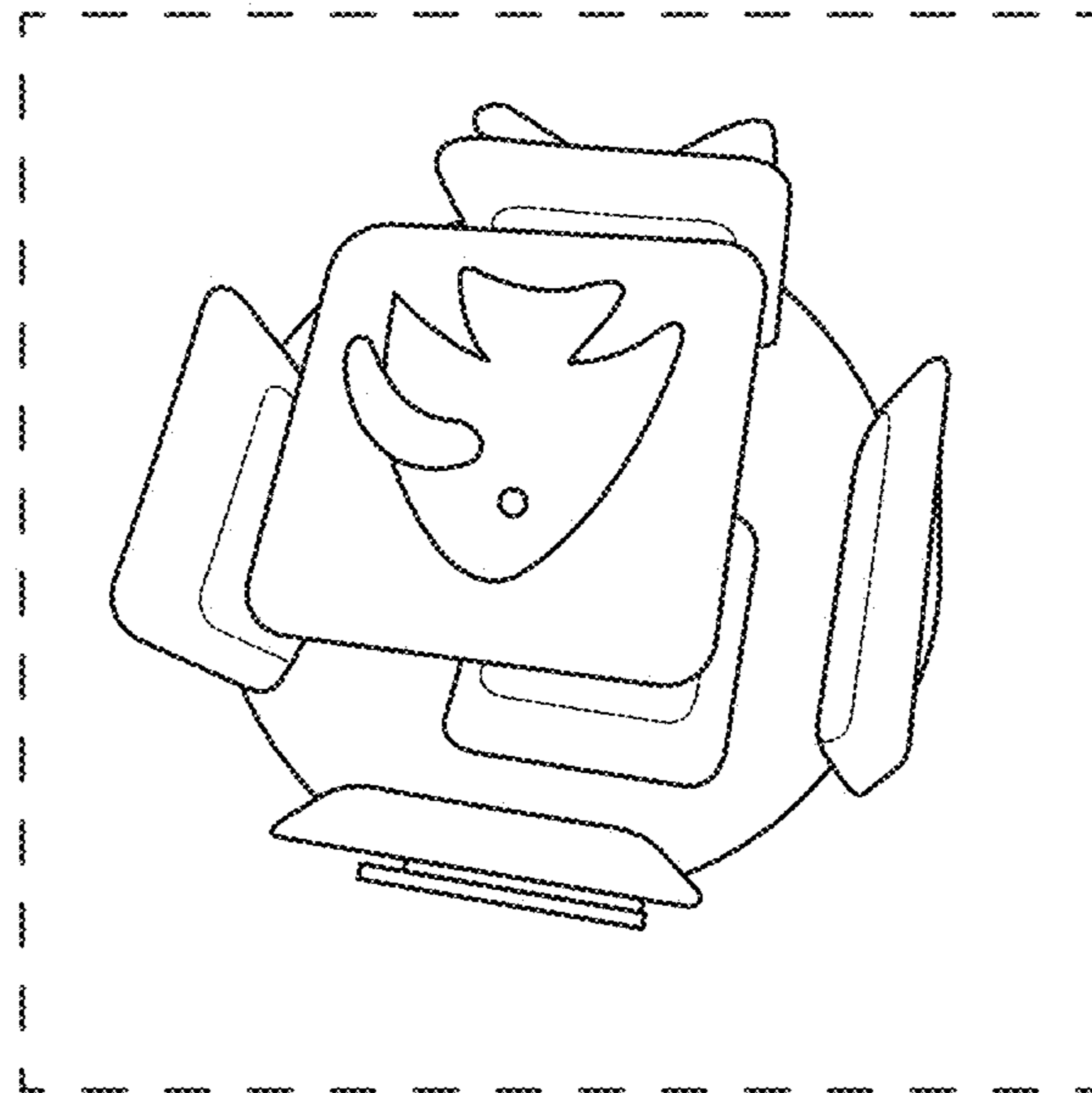


FIG. 7

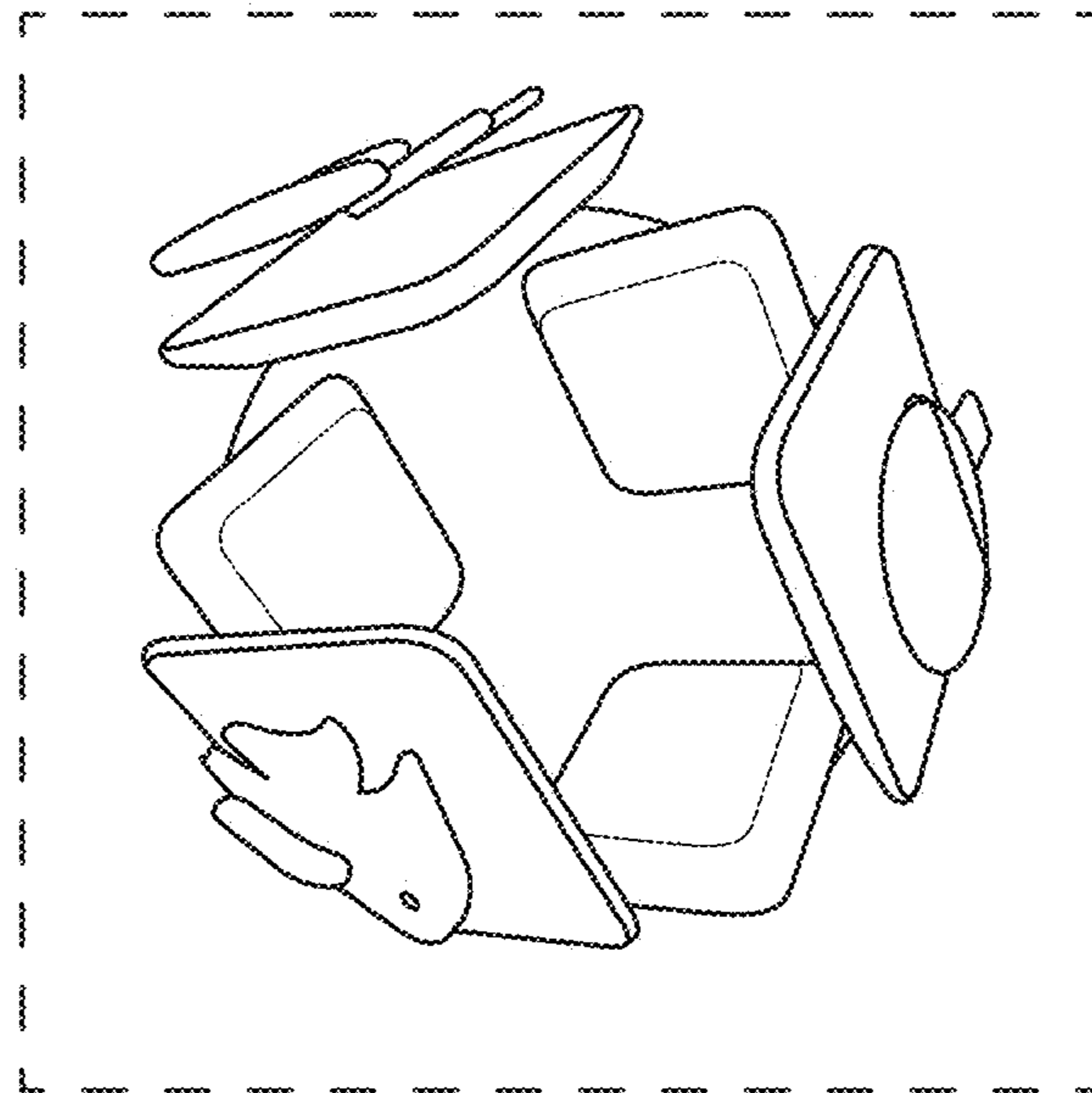


FIG. 8

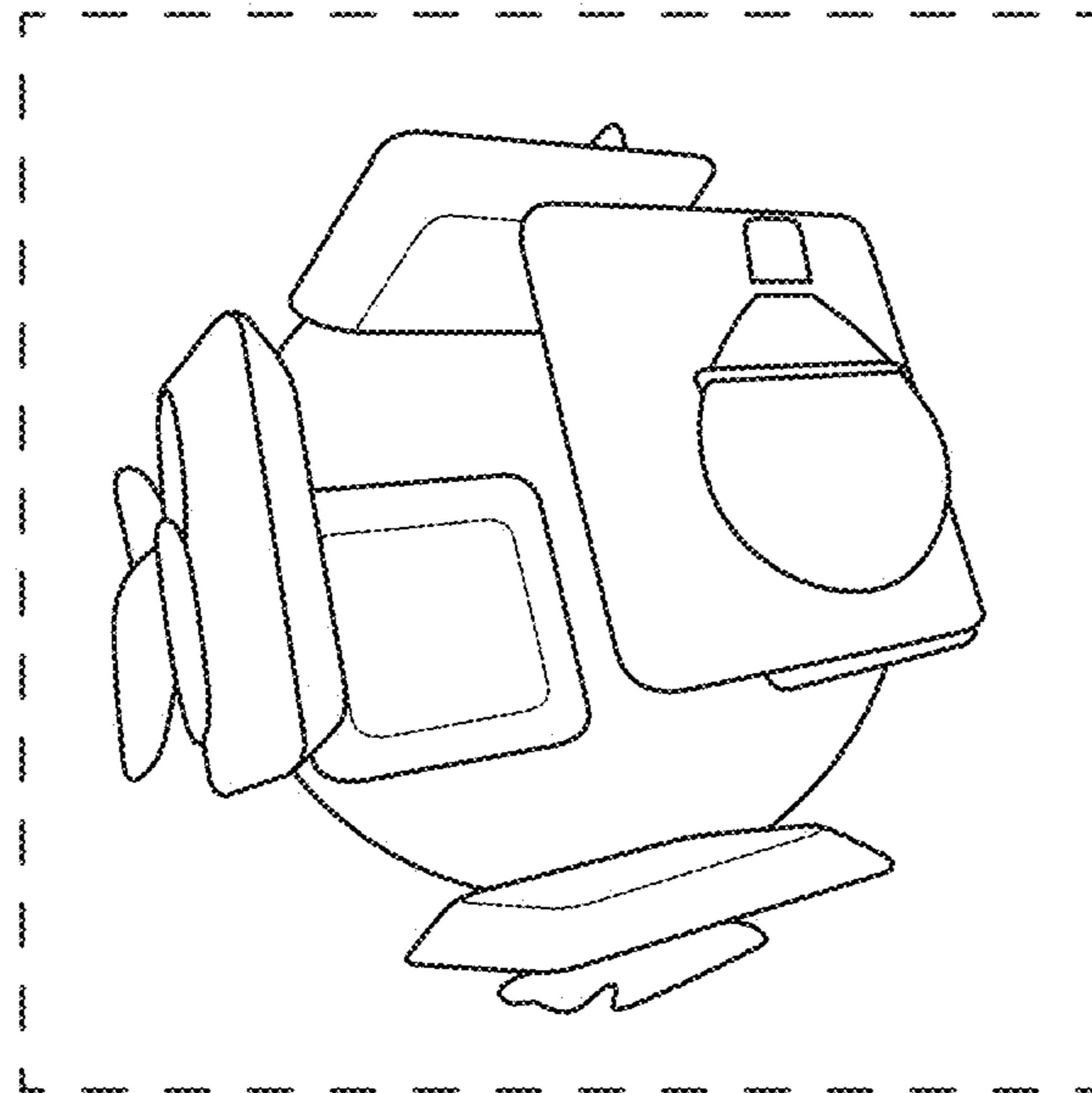


FIG. 9

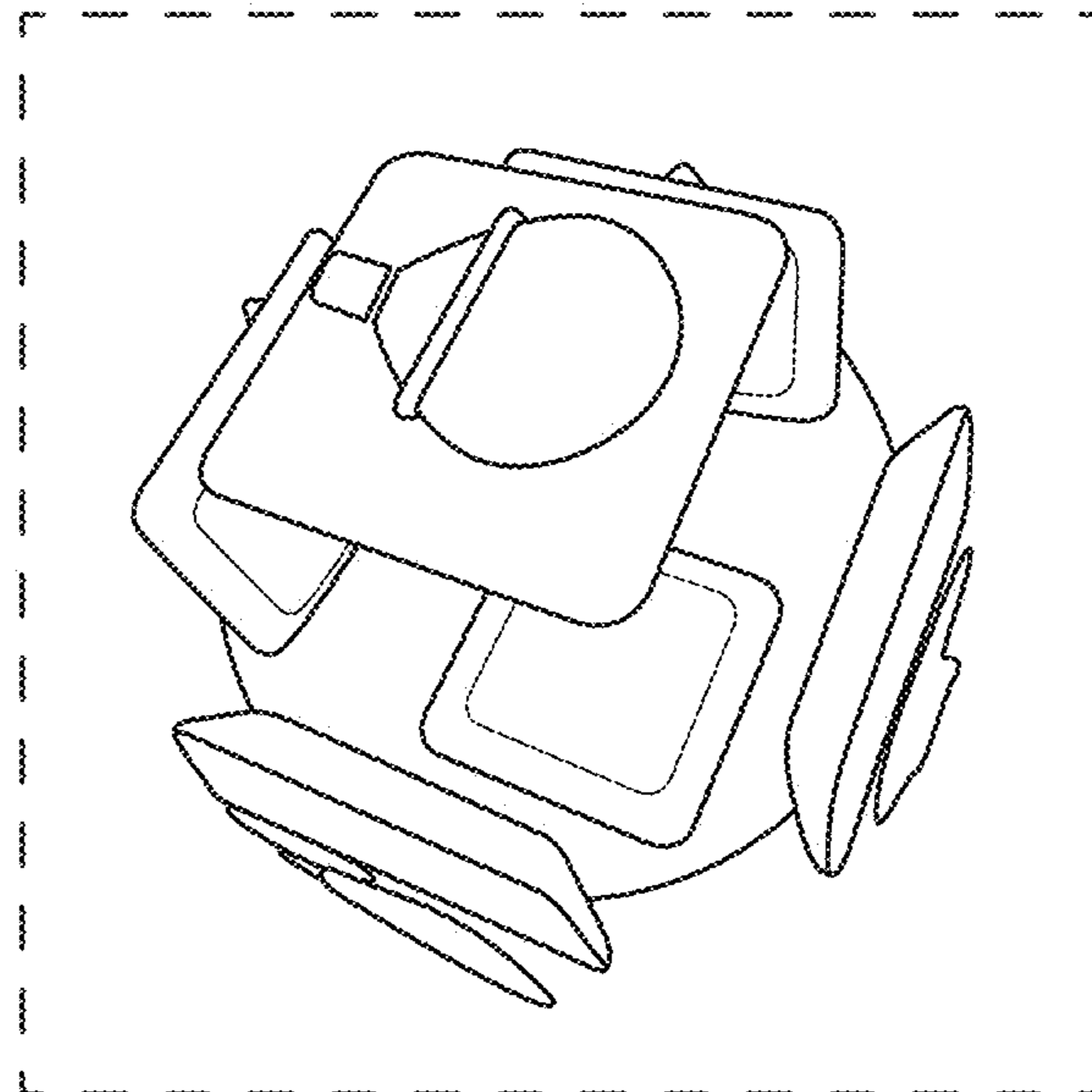


FIG. 10

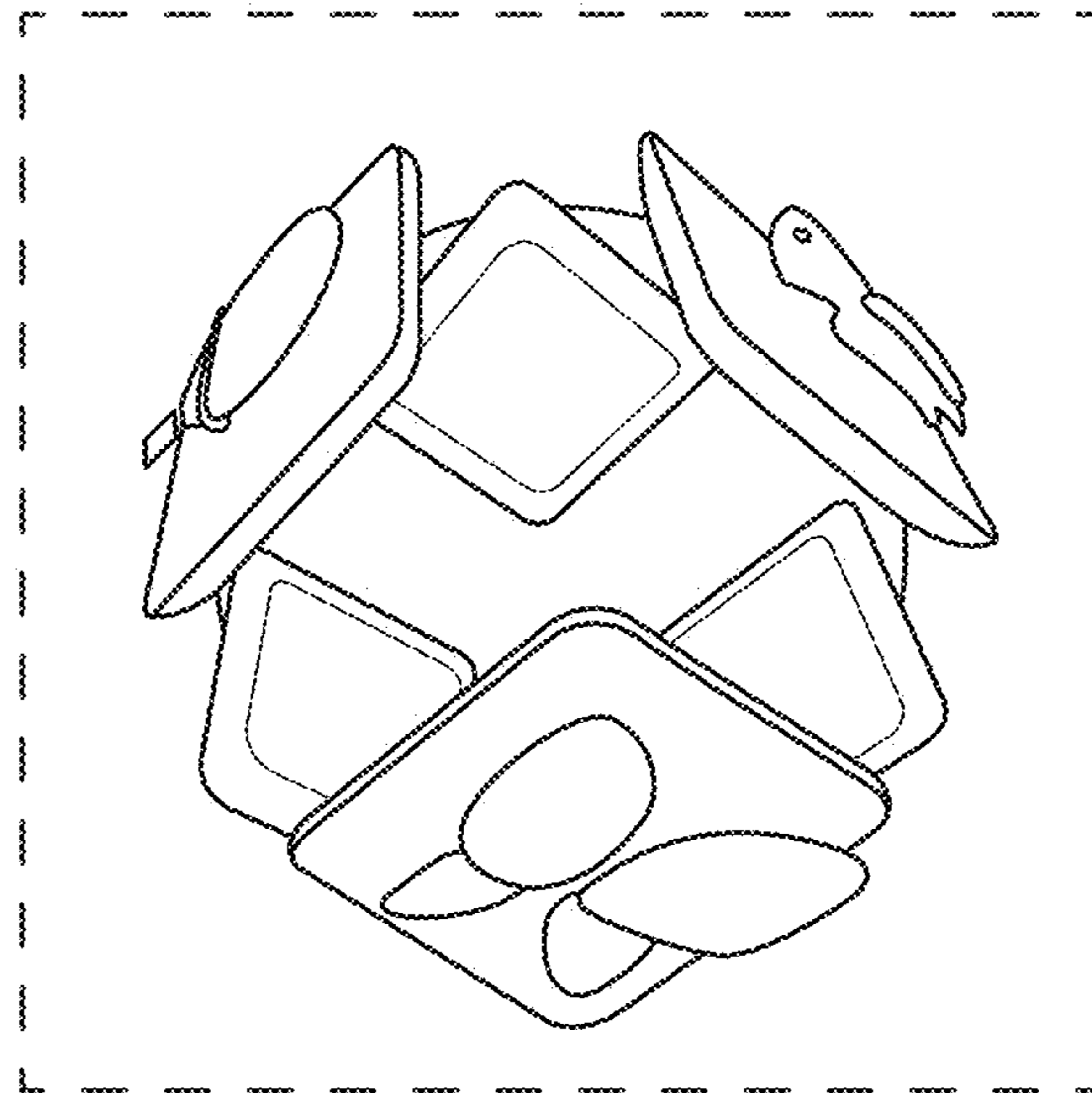


FIG. 11

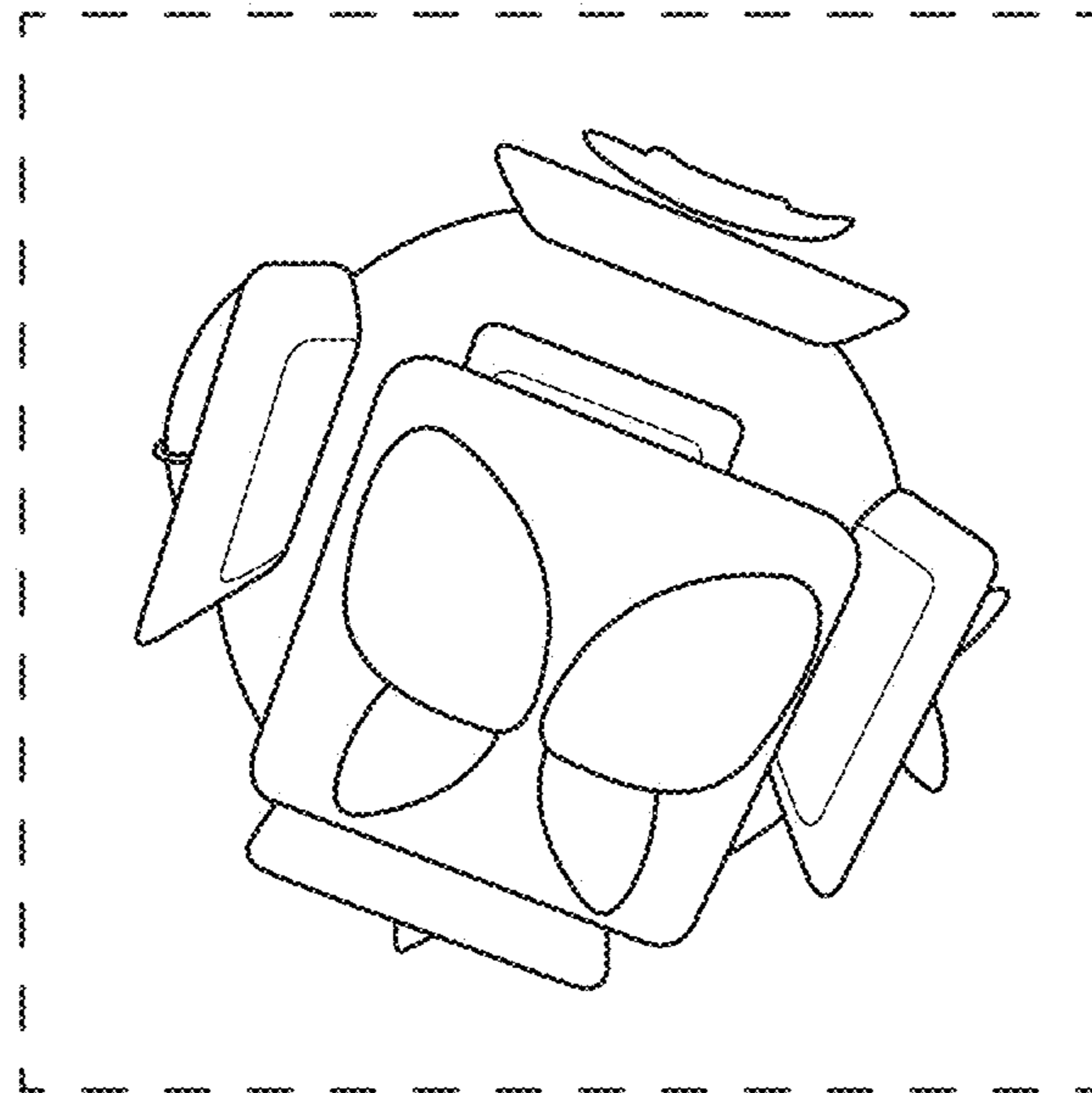


FIG. 12

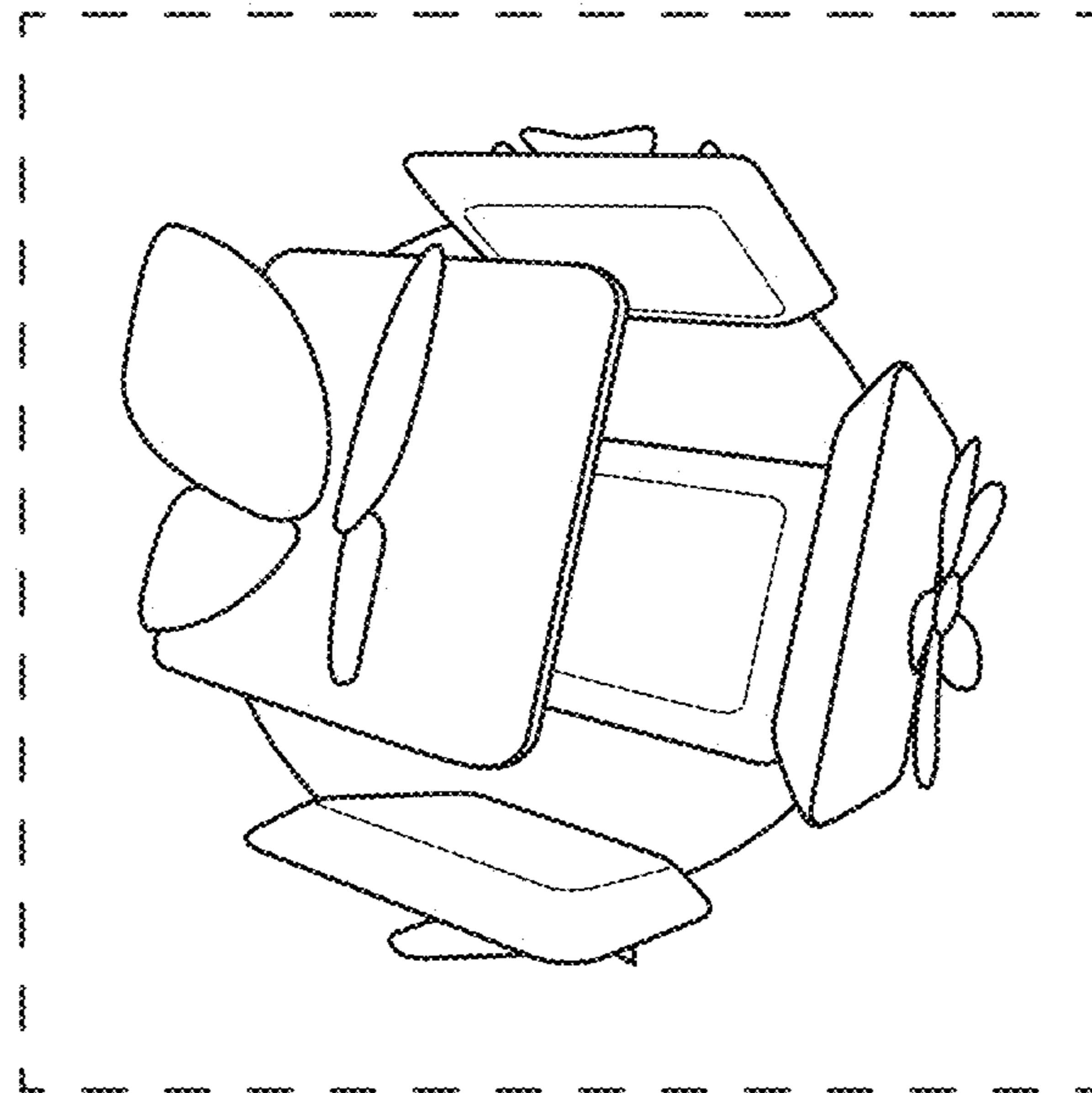


FIG. 13

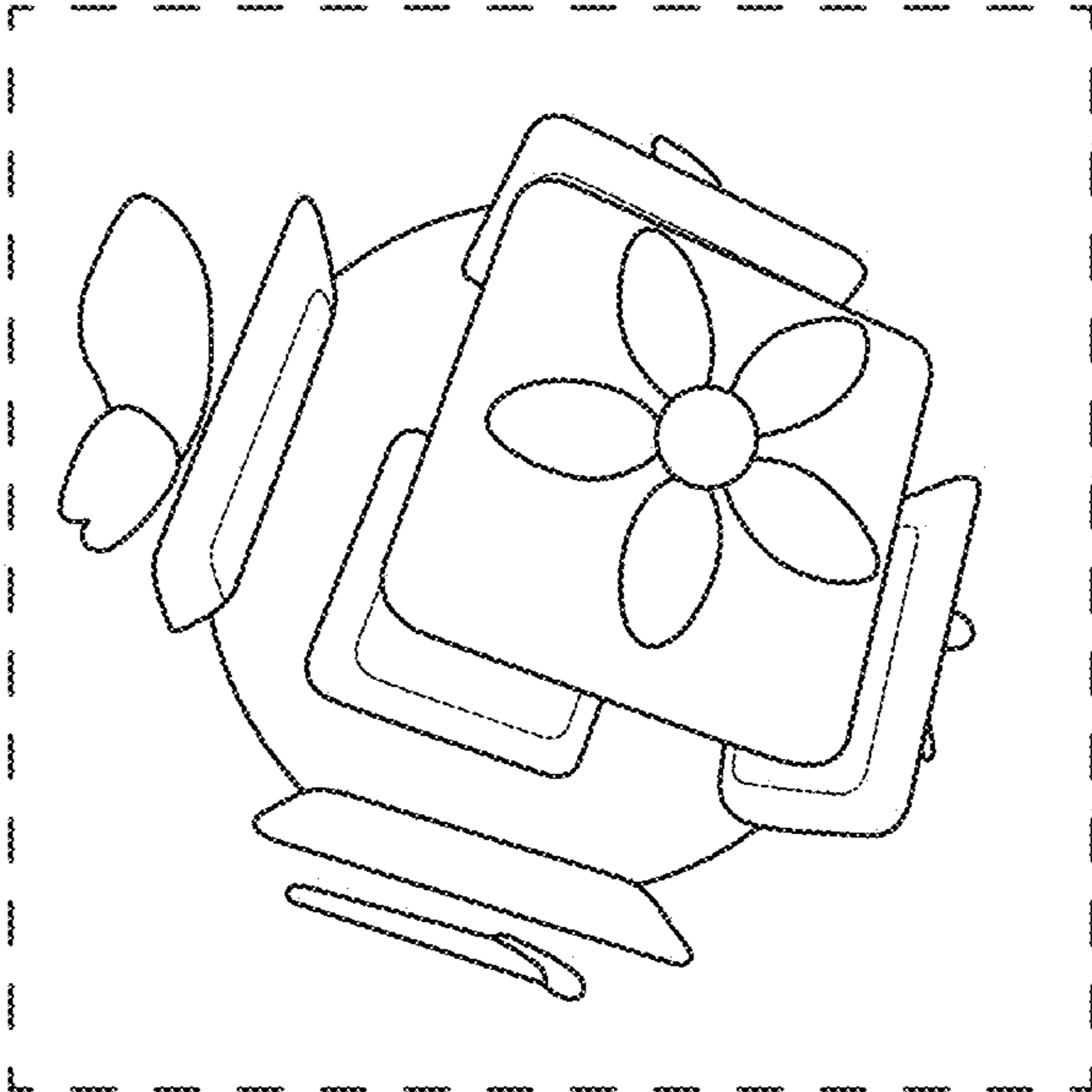


FIG. 14



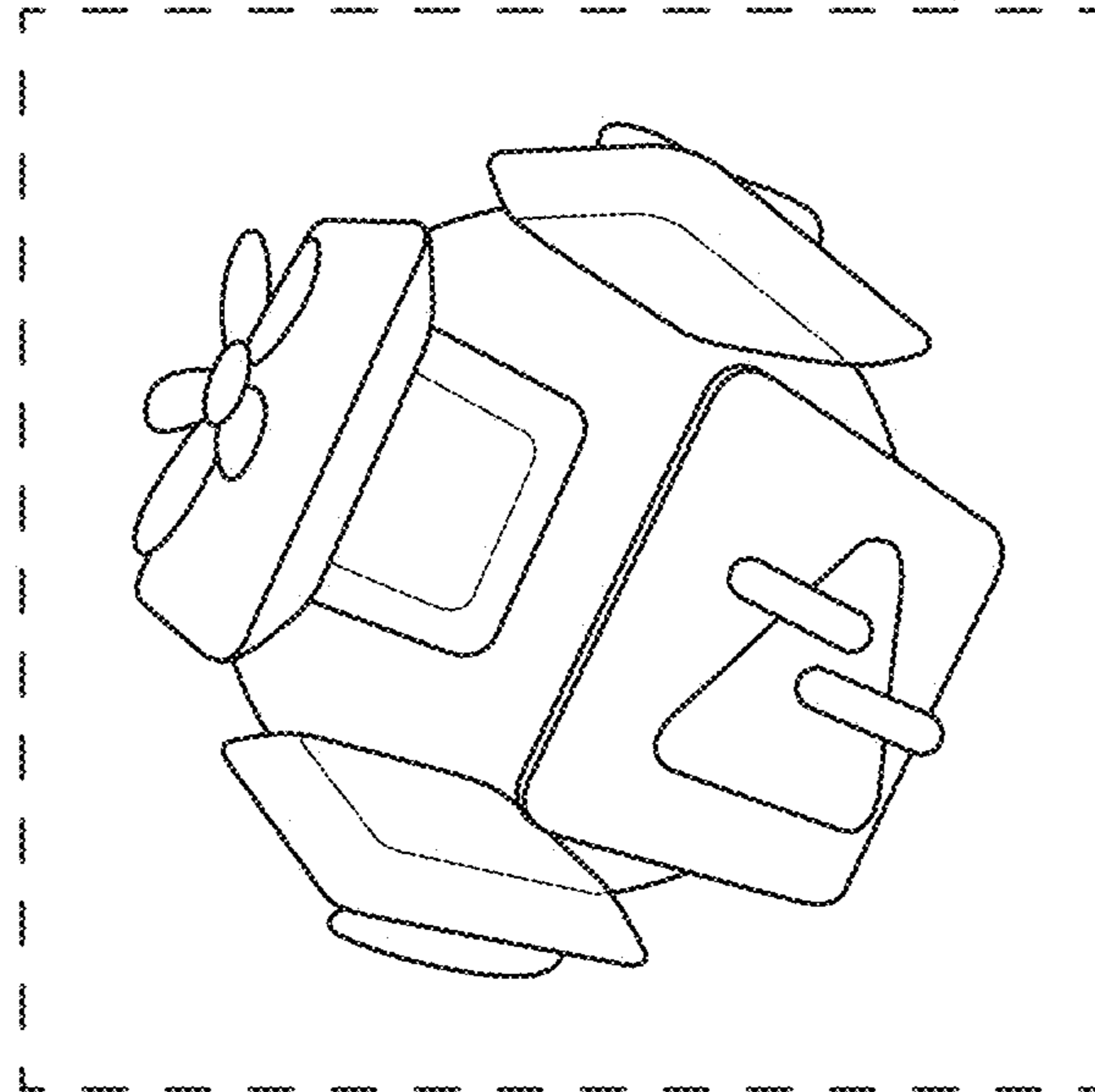


FIG. 15

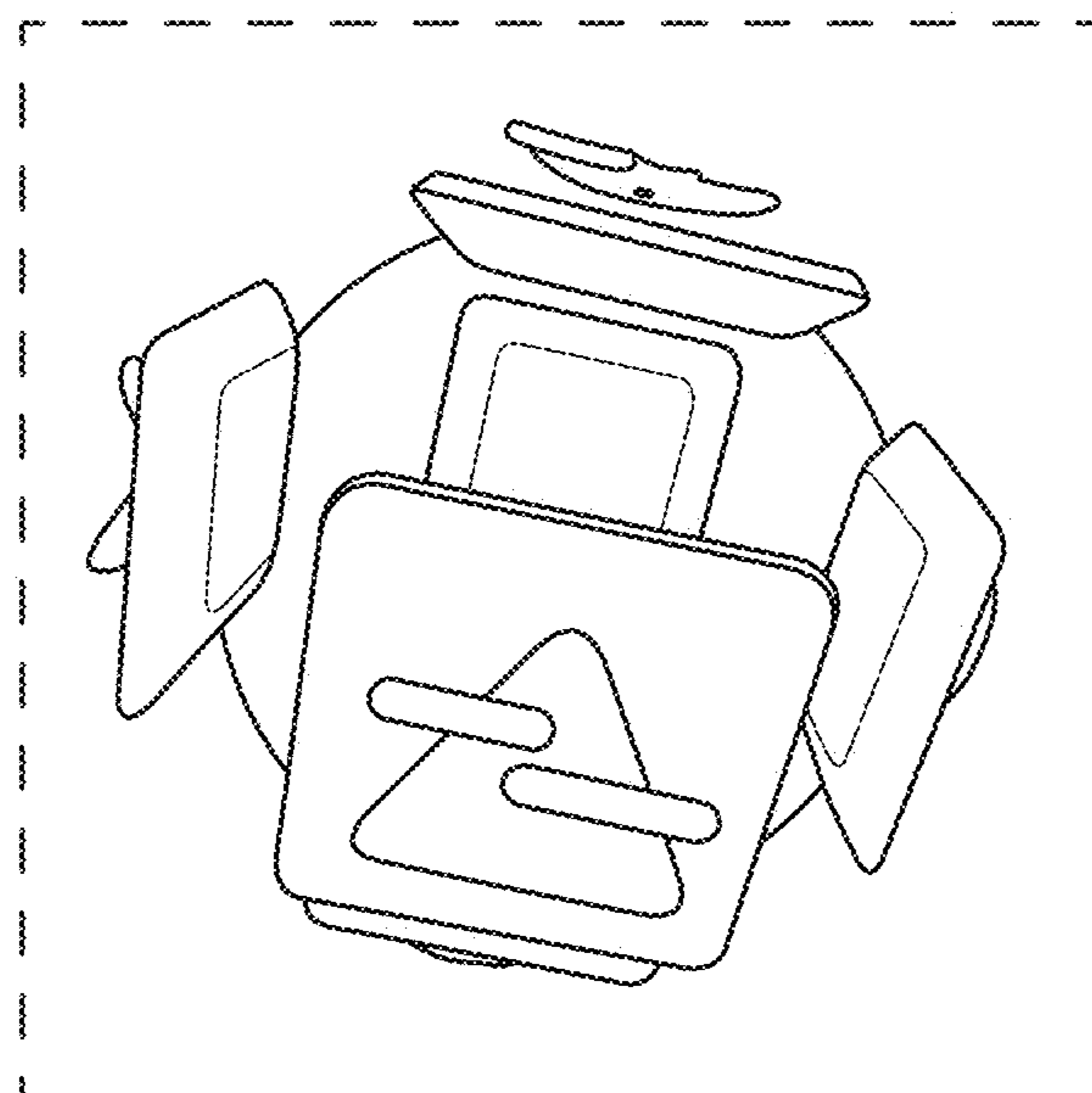


FIG. 16

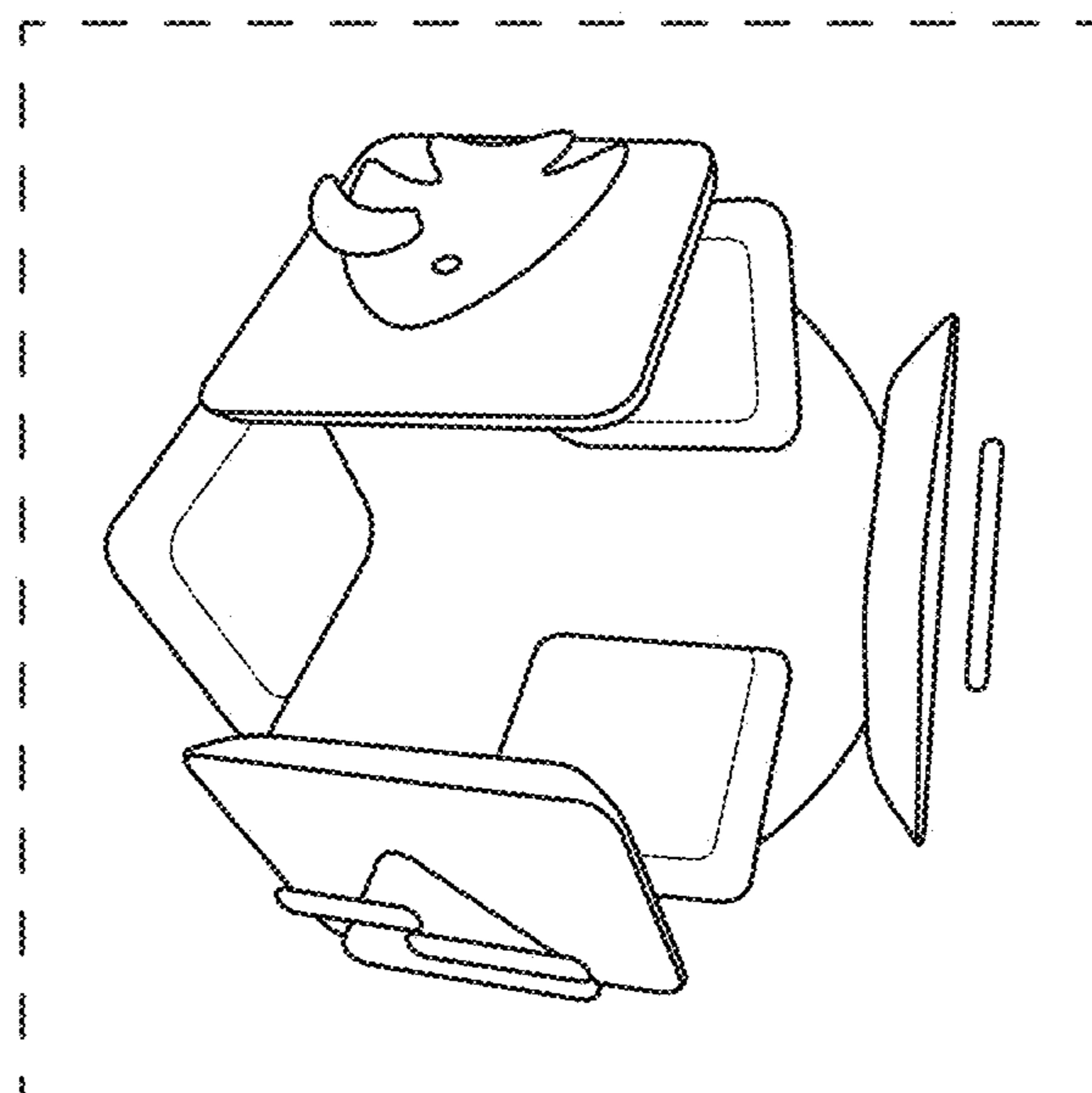


FIG. 17

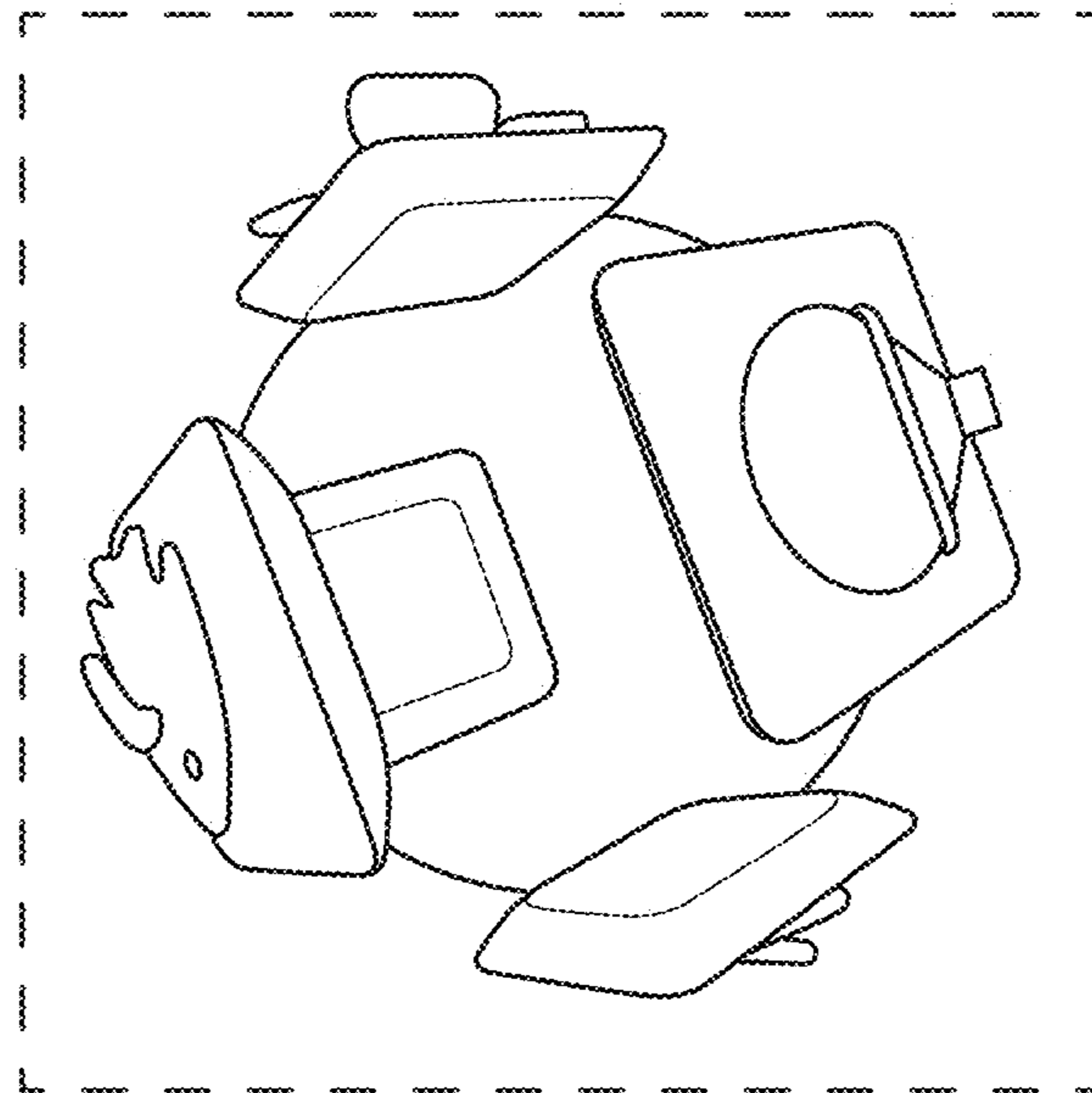


FIG. 18

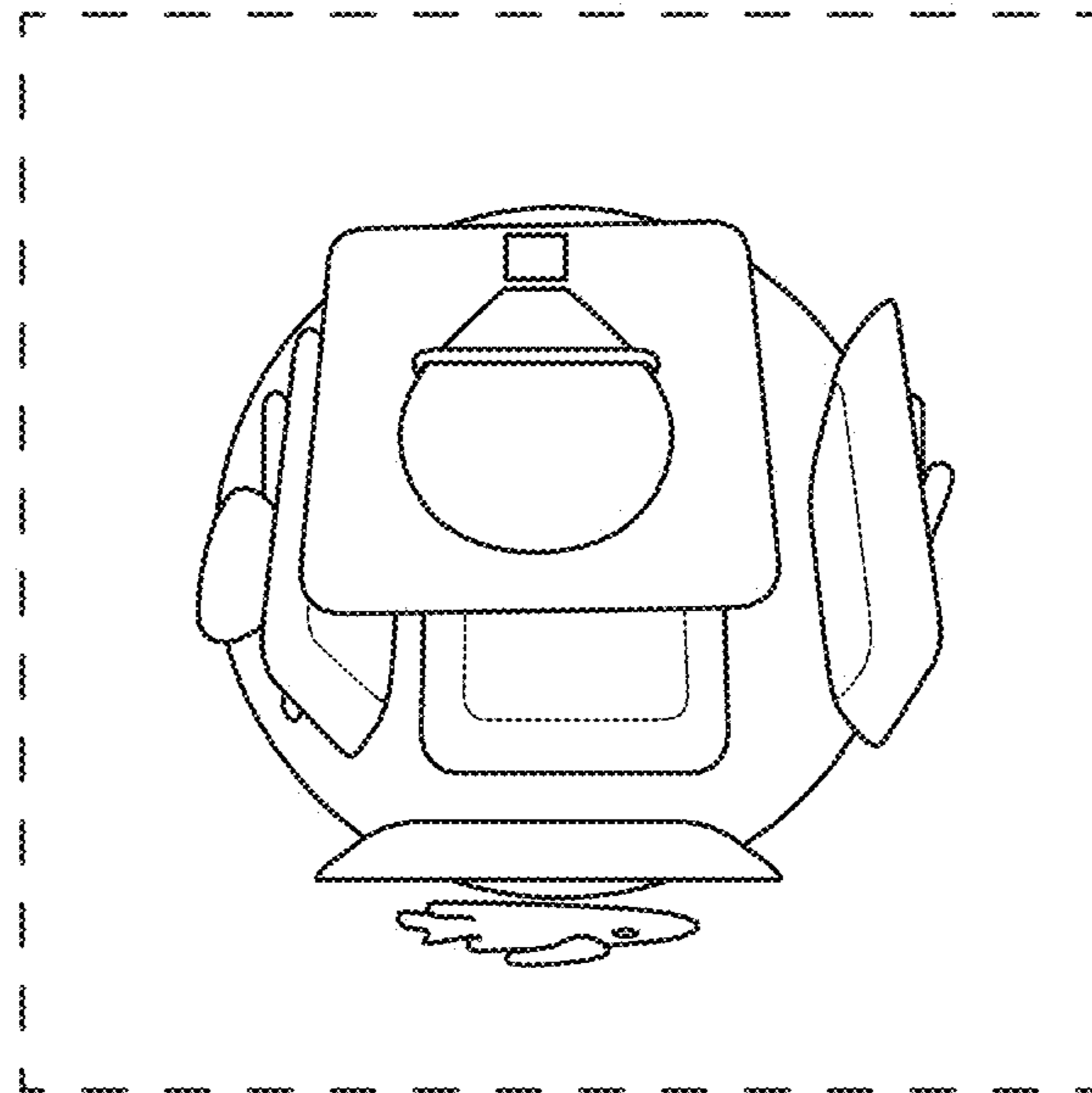


FIG. 19

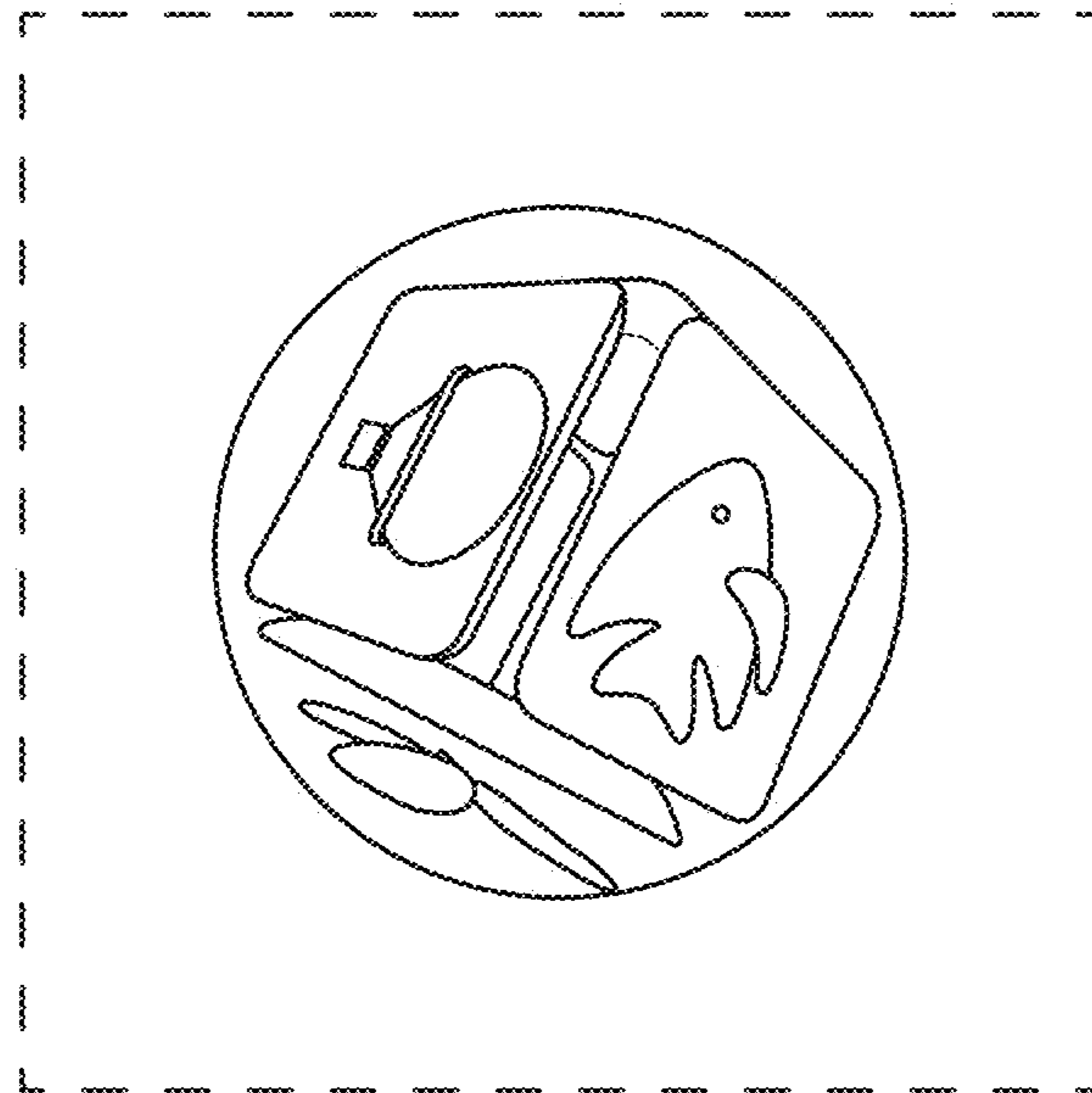


FIG. 20

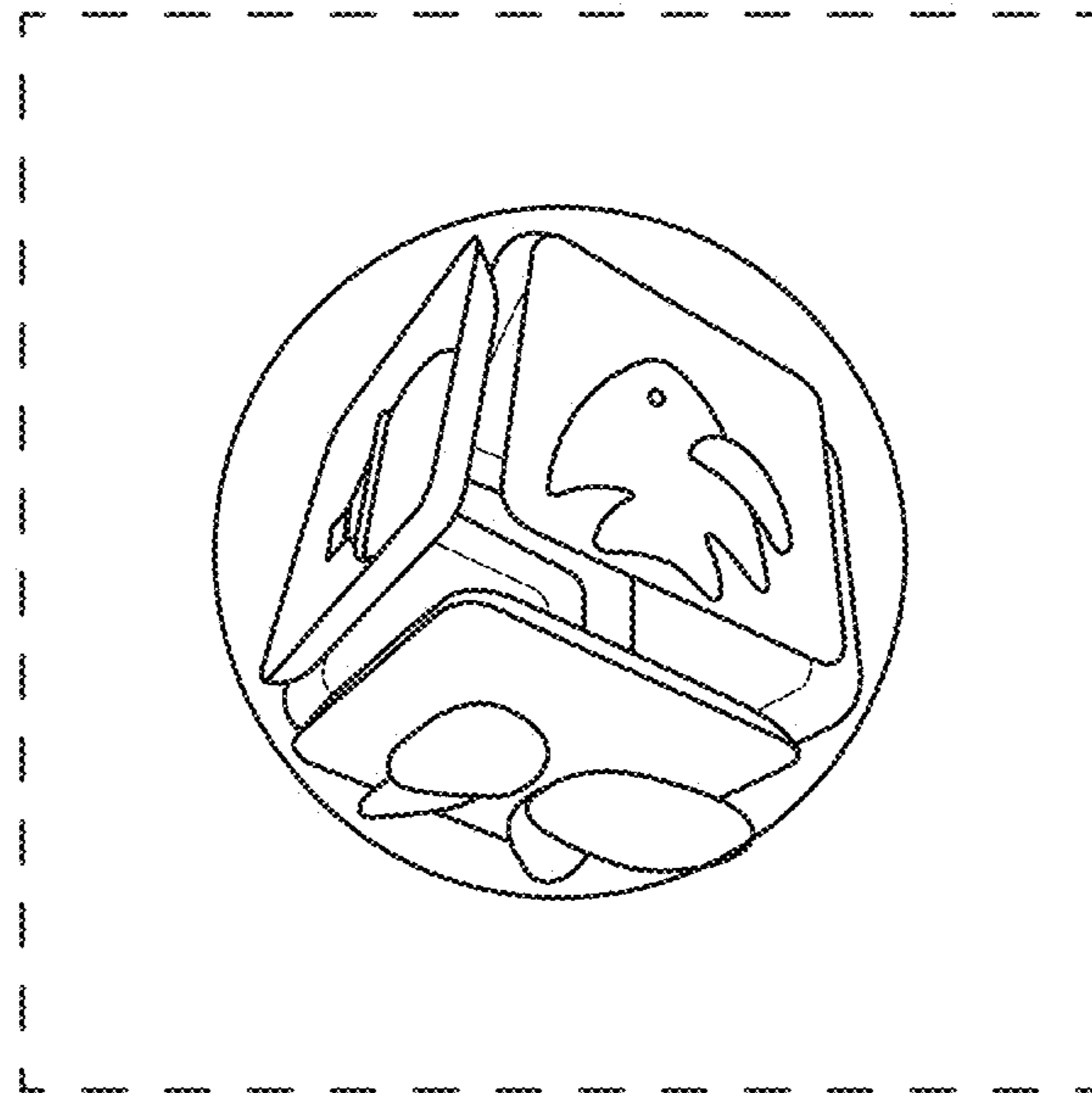


FIG. 21

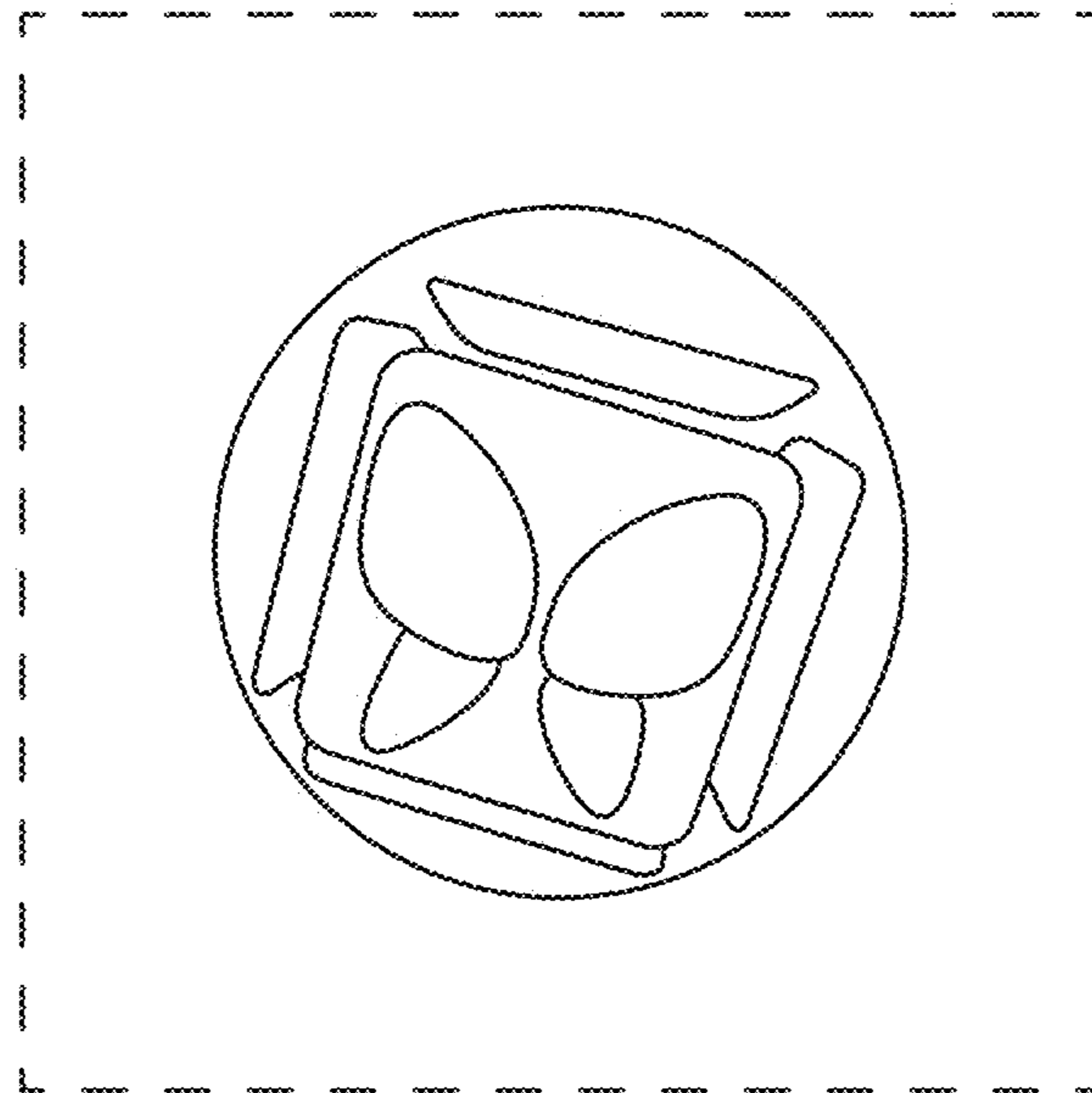


FIG. 22



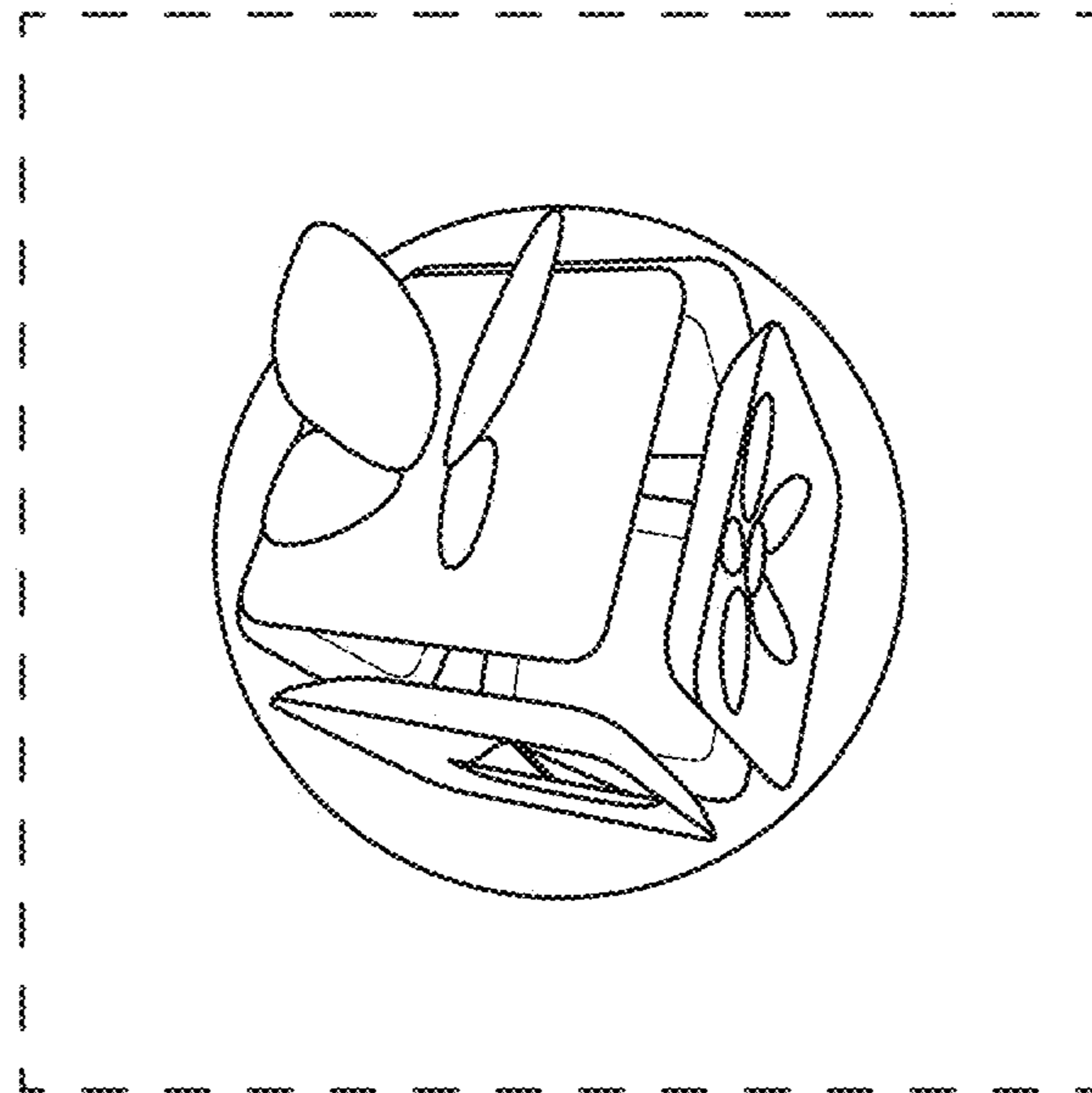


FIG. 23