



US00D888727S

(12) **United States Design Patent** (10) **Patent No.:** **US D888,727 S**  
**Yan** (45) **Date of Patent:** **\*\* \*Jun. 30, 2020**

(54) **DISPLAY SCREEN OR PORTION THEREOF WITH AN ANIMATED GRAPHICAL USER INTERFACE**

D669,499 S \* 10/2012 Gardner ..... D14/495  
D728,616 S \* 5/2015 Gomez ..... D14/491  
D737,278 S \* 8/2015 Shin ..... D14/485  
D739,872 S \* 9/2015 Bang ..... D14/488

(71) Applicant: **BEIJING KUAIMAJIABIAN TECHNOLOGY CO., LTD.**, Beijing (CN)

(Continued)

(72) Inventor: **Jun Yan**, Beijing (CN)

OTHER PUBLICATIONS

(73) Assignee: **BEIJING KUAIMAJIABIAN TECHNOLOGY CO., LTD.**, Beijing (CN)

“CircularProgressDrawable” Apr. 27, 2015, posted at android-arsenal.com, [site visited Dec. 17, 2019]. <https://android-arsenal.com/details/1/1071>.\*

(\*) Notice: This patent is subject to a terminal disclaimer.

(Continued)

(\*\*) Term: **15 Years**

*Primary Examiner* — Jack Reickel  
*Assistant Examiner* — John M Otte

(21) Appl. No.: **29/663,866**

(74) *Attorney, Agent, or Firm* — BakerHostetler

(22) Filed: **Sep. 19, 2018**

(30) **Foreign Application Priority Data**

Mar. 21, 2018 (CN) ..... 2018 3 0105171

(51) **LOC (12) Cl.** ..... **14-04**

(52) **U.S. Cl.**  
USPC ..... **D14/485**; D14/488

(58) **Field of Classification Search**  
USPC ..... D14/485–495; D20/11; D21/324, 325  
CPC .... G06F 3/048; G06F 3/0481; G06F 3/04817;  
G06F 3/0482; G06F 3/0483; G06F 3/04842; G06F 3/0485; G06F 3/04855;  
G06F 3/0486; G06F 3/0488; G06F 3/04886; G06F 9/4443; G06F 16/9577;  
G06F 17/211; G06F 17/212; G09B 5/00;  
H04L 12/2807

See application file for complete search history.

(56) **References Cited**

U.S. PATENT DOCUMENTS

5,392,388 A \* 2/1995 Gibson ..... G06F 3/04845  
345/684  
D599,284 S \* 9/2009 Misumi ..... D12/605

(57) **CLAIM**

I claim the ornamental design for a display screen or portion thereof with an animated graphical user interface, as shown and described.

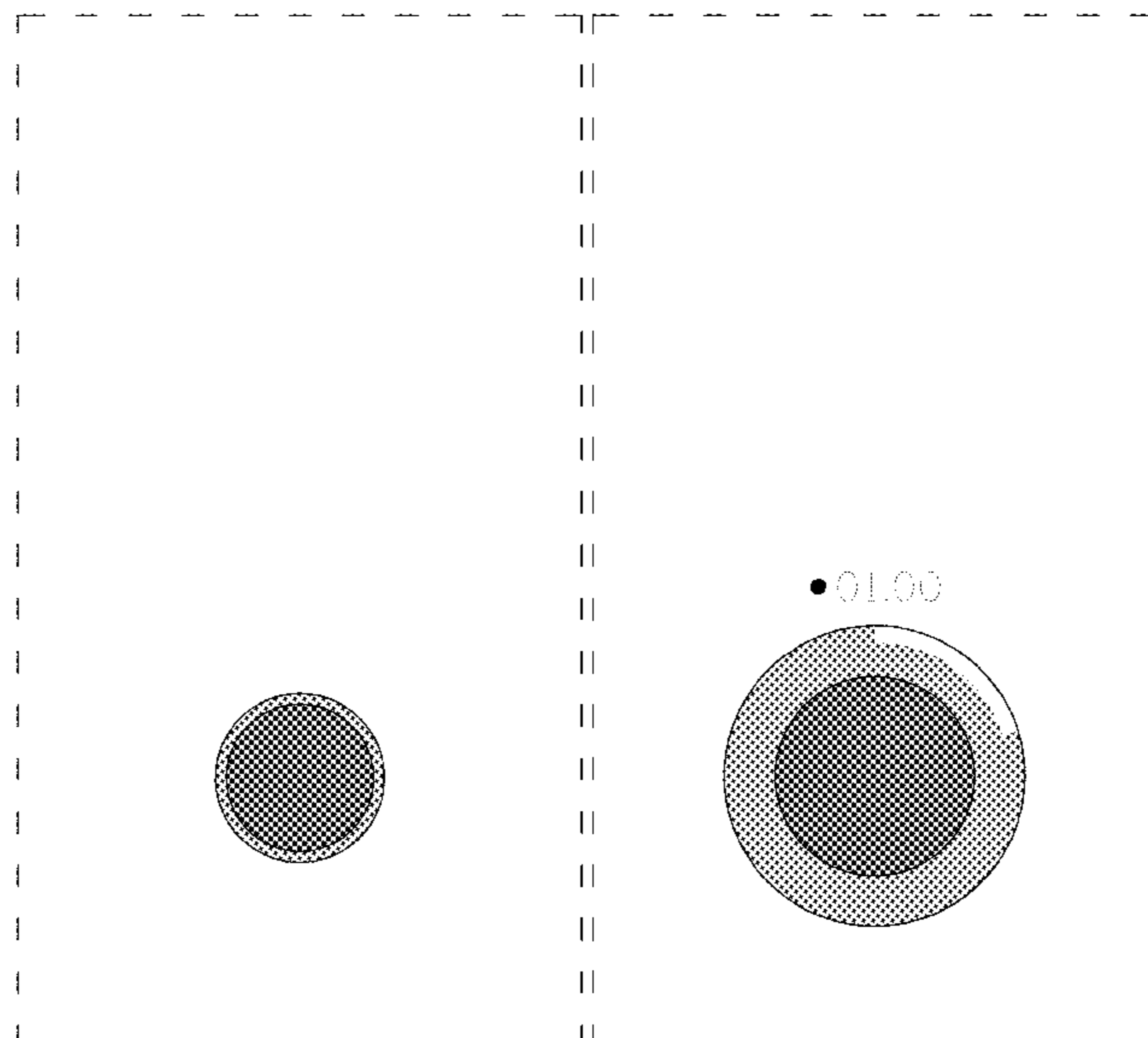
**DESCRIPTION**

FIG. 1 is a front view of a first image in a sequence for a display screen or portion thereof with an animated graphical user interface showing our new design;  
FIG. 2 is a front view of a second image thereof;  
FIG. 3 is a front view of a third image thereof;  
FIG. 4 is a front view of a fourth image thereof; and,  
FIG. 5 is a front view of a fifth image thereof.

The broken lines shown in the figures represent portions of the display screen or portion thereof with an animated graphical user interface that form no part of the claimed design.

The appearance of the transitional image sequentially transitions between the images shown in FIGS. 1-5. The process or period in which one image transitions to another forms no part of the claimed design.

**1 Claim, 3 Drawing Sheets**



(56)

References Cited

U.S. PATENT DOCUMENTS

D754,682 S \* 4/2016 Lee ..... D14/485  
 D760,791 S \* 7/2016 Liu ..... G06F 3/04817  
 D761,277 S \* 7/2016 Harvell ..... D14/494  
 D763,269 S \* 8/2016 Lee ..... D14/485  
 D763,868 S \* 8/2016 Lee ..... D14/485  
 D763,910 S \* 8/2016 Drozd ..... D14/485  
 D765,718 S \* 9/2016 Vinna ..... D14/488  
 D781,299 S \* 3/2017 Yun ..... D14/485  
 D785,658 S \* 5/2017 Moroney ..... D14/486  
 D786,898 S \* 5/2017 Hall ..... D14/486  
 D791,806 S \* 7/2017 Brewington ..... D14/486  
 D821,410 S \* 6/2018 Vinna ..... D14/485  
 D845,315 S \* 4/2019 Malahy ..... D14/485  
 D848,466 S \* 5/2019 Mizono ..... D14/486  
 D851,099 S \* 6/2019 Uppala ..... D14/485  
 D853,441 S \* 7/2019 Khandelwal ..... D14/491  
 D873,281 S \* 1/2020 Van Gerbig ..... D14/485  
 D875,742 S \* 2/2020 Kang ..... D14/485  
 2015/0195379 A1 \* 7/2015 Zhang ..... G06F 16/9577  
 709/219  
 2015/0205511 A1 \* 7/2015 Vinna ..... G06F 3/0481  
 715/716

OTHER PUBLICATIONS

Coyier, Chris, "CSS3 Loading Spinner" Feb. 10, 2011, posted at [css-tricks.com](https://css-tricks.com/css3-loading-spinner), [site visited Dec. 17, 2019]. <https://css-tricks.com/css3-loading-spinner>.\*

"Play or pause button" Nov. 1, 2016, posted at [gfycat.com](https://gfycat.com/infatuatedassuredalbatross-button), [site visited Dec. 17, 2019]. <https://gfycat.com/infatuatedassuredalbatross-button>.\*

Aarniala, Hannu, "Animated Play Pause Button" Sep. 28, 2015, posted at [dribbble.com](https://dribbble.com/shots/2265515-Animated-Play-Pause-Button), [site visited Mar. 25, 2020]. <https://dribbble.com/shots/2265515-Animated-Play-Pause-Button> (Year: 2015).\*

Manson, Robbie, "GIF of Mobile Time Tracking design progress" Dec. 4, 2012, posted at [dribbble.com](https://dribbble.com/shots/842615-GIF-of-Mobile-Time-Tracking-design-progress), [site visited Mar. 24, 2020]. <https://dribbble.com/shots/842615-GIF-of-Mobile-Time-Tracking-design-progress> (Year: 2012).\*

"Progress loading vector bar indicators . . ." Dec. 13, 2017, posted at [shutterstock.com](https://www.shutterstock.com/image-vector/progress-loading-vector-bar-indicators-download-770743654), [site visited Mar. 24, 2020]. <https://www.shutterstock.com/image-vector/progress-loading-vector-bar-indicators-download-770743654> (Year: 2017).\*

\* cited by examiner

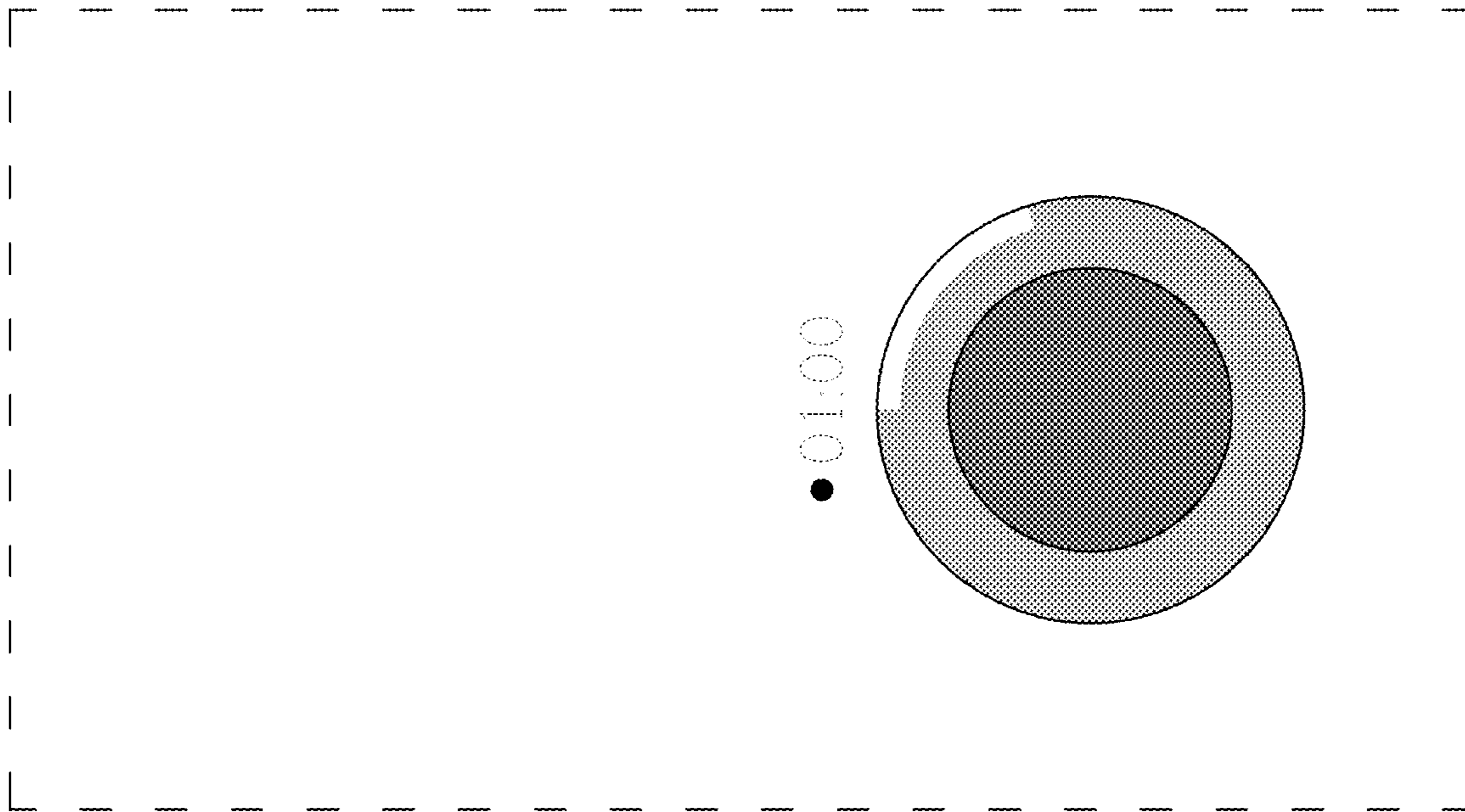


FIG. 1

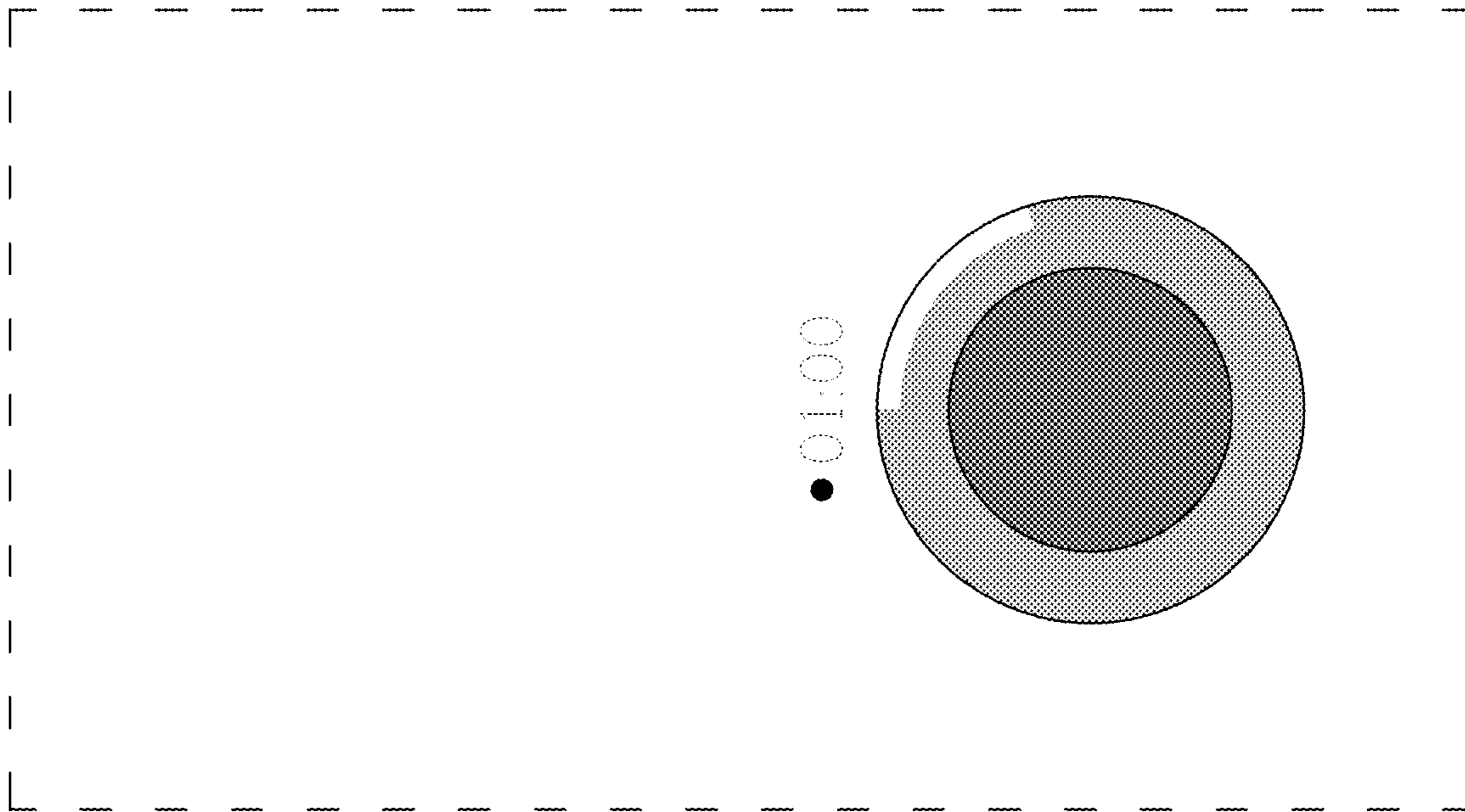


FIG. 2

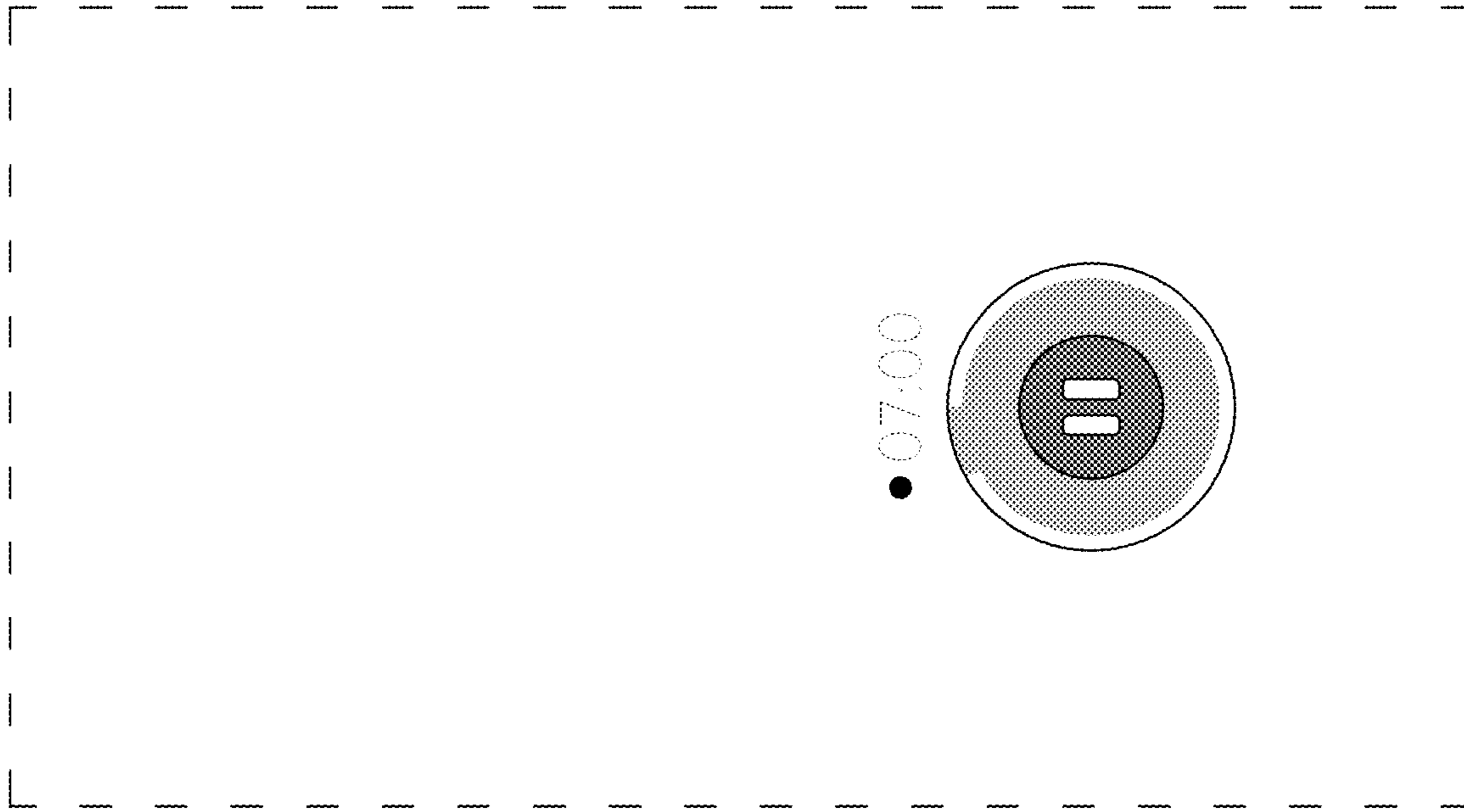


FIG. 4

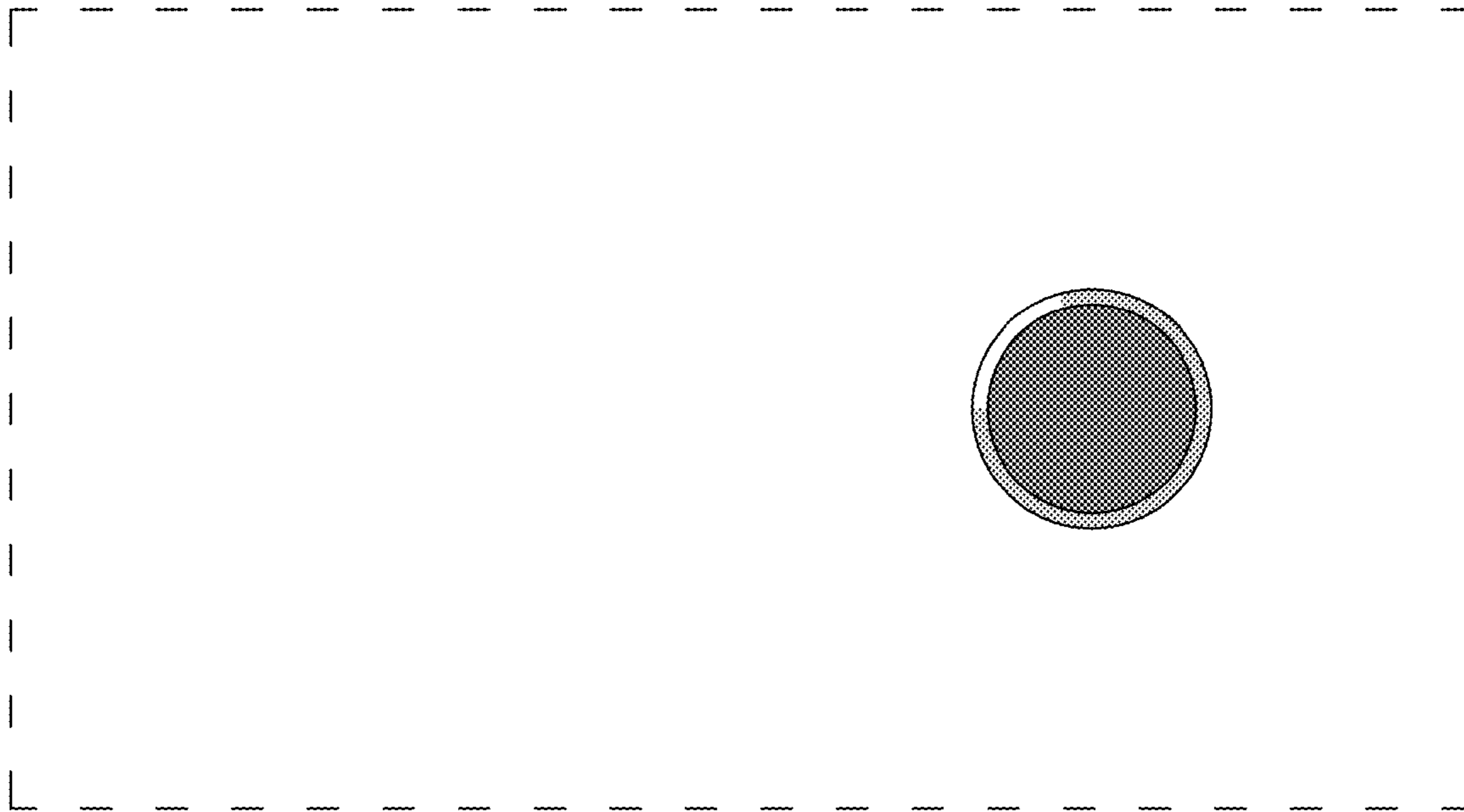


FIG. 3

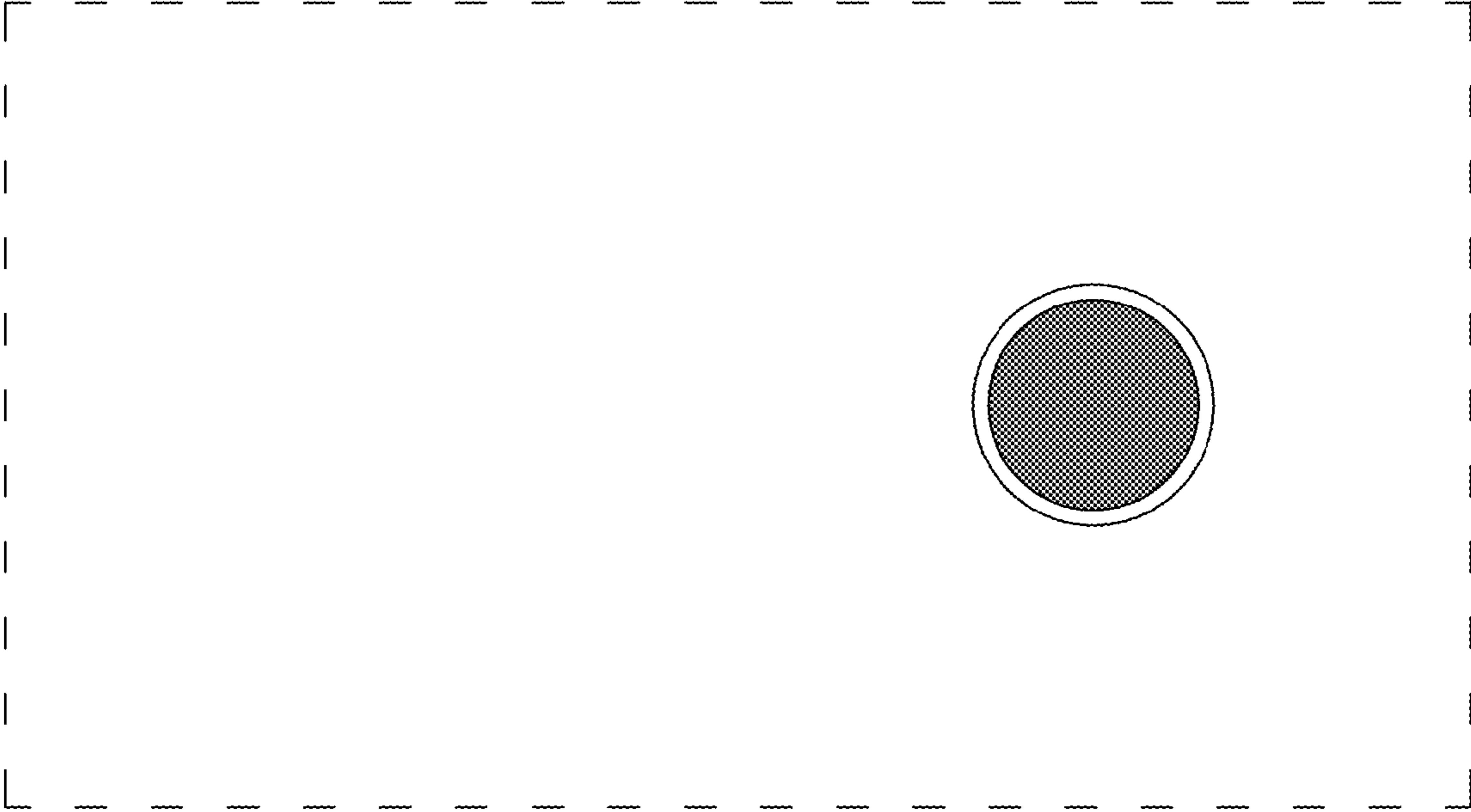


FIG. 5