



US00D888721S

(12) **United States Design Patent** (10) **Patent No.:** **US D888,721 S**
Akana et al. (45) **Date of Patent:** **** Jun. 30, 2020**

(54) **ELECTRONIC DEVICE**

(71) Applicant: **Apple Inc.**, Cupertino, CA (US)

(72) Inventors: **Jody Akana**, San Francisco, CA (US); **Bartley K. Andre**, Palo Alto, CA (US); **Jeremy Bataillou**, San Francisco, CA (US); **Daniel J. Coster**, San Francisco, CA (US); **Daniele De Iuliis**, San Francisco, CA (US); **M. Evans Hankey**, San Francisco, CA (US); **Julian Hoenig**, San Francisco, CA (US); **Richard P. Howarth**, San Francisco, CA (US); **Jonathan P. Ive**, San Francisco, CA (US); **Duncan Robert Kerr**, San Francisco, CA (US); **Matthew Dean Rohrbach**, San Francisco, CA (US); **Peter Russell-Clarke**, San Francisco, CA (US); **Benjamin Andrew Shaffer**, San Jose, CA (US); **Mikael Silvanto**, San Francisco, CA (US); **Christopher J. Stringer**, Woodside, CA (US); **Eugene Antony Whang**, San Francisco, CA (US); **Rico Zörkendörfer**, San Francisco, CA (US)

(73) Assignee: **Apple Inc.**, Cupertino, CA (US)

(**) Term: **15 Years**

(21) Appl. No.: **29/579,200**

(22) Filed: **Sep. 28, 2016**

Related U.S. Application Data

(63) Continuation of application No. 29/533,837, filed on Jul. 22, 2015, now Pat. No. Des. 772,885.

(51) **LOC (12) Cl.** **14-02**

(52) **U.S. Cl.**
USPC **D14/455**

(58) **Field of Classification Search**

USPC D18/1, 2, 7, 11; D14/138, 247, 341-346, D14/391-399, 455-456, 485, 491
(Continued)

(56) **References Cited**

U.S. PATENT DOCUMENTS

D293,467 S 12/1987 Elkerbout
D303,111 S 8/1989 Paley
(Continued)

FOREIGN PATENT DOCUMENTS

JP D1412803 5/2011
KR 30-2008-0007143 10/2008
KR 3005641440000 6/2010

OTHER PUBLICATIONS

Sony Vaio X505, available at least as early as May 8, 2005.
(Continued)

Primary Examiner — Janice Hallmark

Assistant Examiner — Harold E Blackwell, II

(74) *Attorney, Agent, or Firm* — Saidman DesignLaw Group, LLC

(57) **CLAIM**

The ornamental design for an electronic device, as shown and described.

DESCRIPTION

FIG. 1 is a top front perspective view of an electronic device showing our new design;

FIG. 2 is a top rear perspective view thereof;

FIG. 3 is a bottom rear perspective view thereof;

FIG. 4 is a bottom front perspective view thereof;

FIG. 5 is a front view thereof;

FIG. 6 is a rear view thereof;

FIG. 7 is a left side view thereof;

FIG. 8 is a right side view thereof;

(Continued)

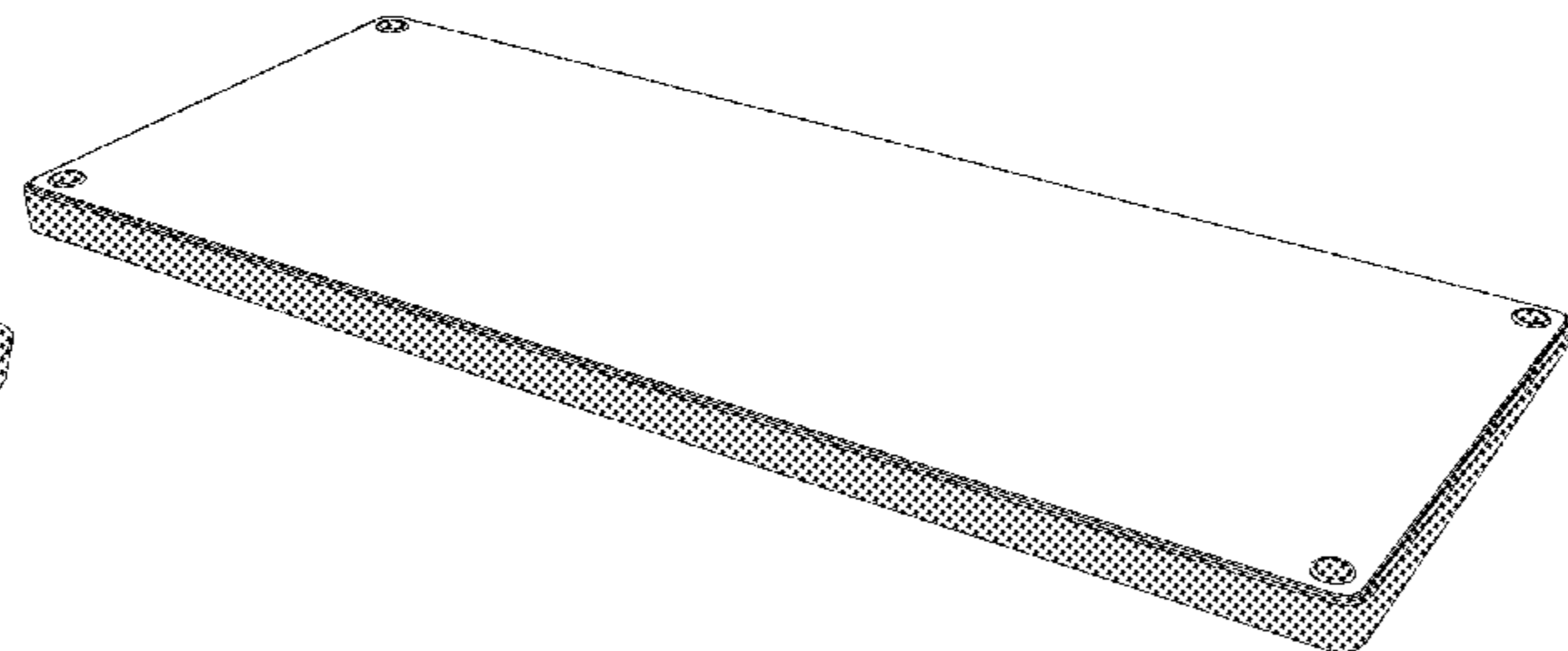
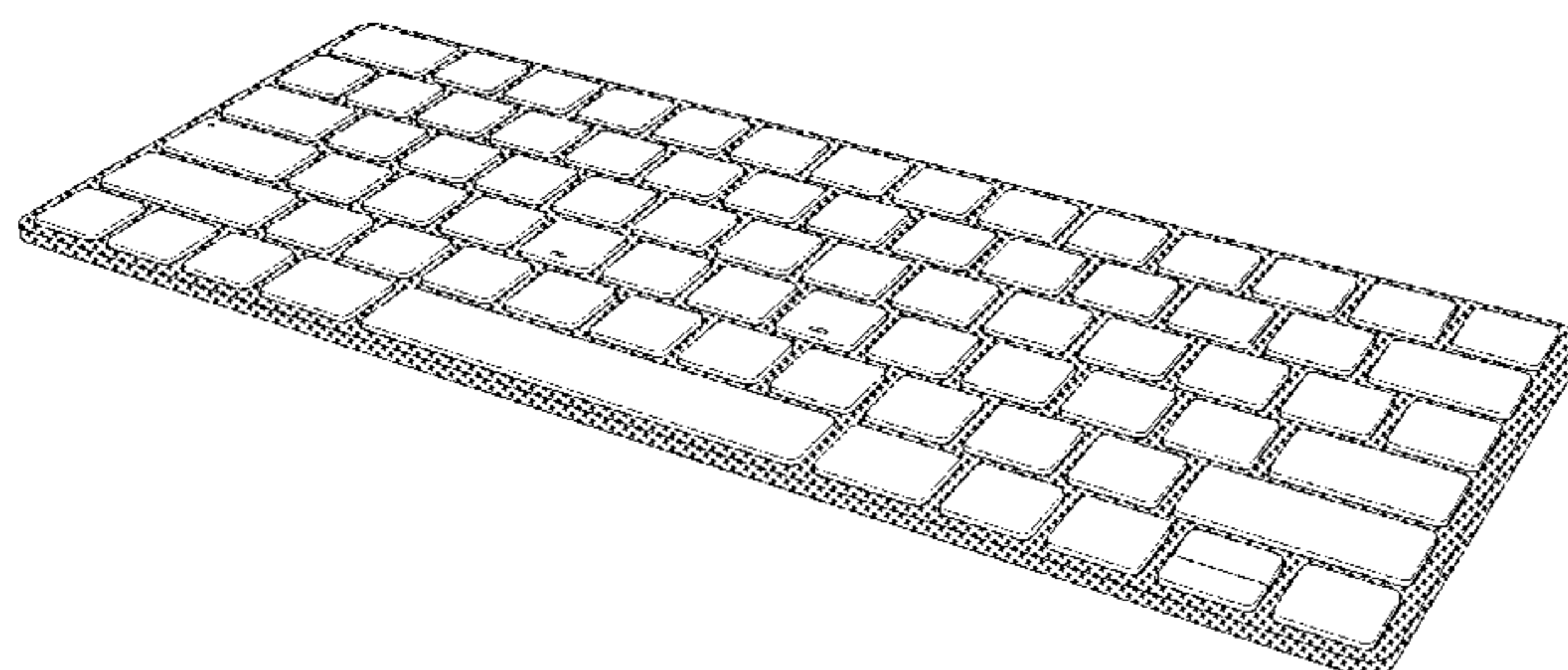


FIG. 9 is a top view thereof; and,
 FIG. 10 is a bottom view thereof.
 The dashed broken lines represent structure or features that
 form no part of the claimed design.
 The applied shading represents a contrast in appearance.

1 Claim, 7 Drawing Sheets

(58) **Field of Classification Search**

CPC . H03M 11/00; H01H 13/14; B41J 5/00; B41J
 5/12; H03K 17/94

See application file for complete search history.

(56) **References Cited**

U.S. PATENT DOCUMENTS

D310,209 S	8/1990	Kasprzycki
D316,549 S	4/1991	Hampf
D334,398 S	3/1993	Conard
D335,660 S	5/1993	Busch
D338,452 S	8/1993	Allgeier
D344,724 S	3/1994	Pangburn
D346,161 S	4/1994	Oh et al.
D348,875 S	7/1994	Wang
5,439,304 A	8/1995	Phillips et al.
5,717,430 A	2/1998	Copland et al.
D420,997 S	2/2000	Jordan
D430,875 S	9/2000	Beecroft
D436,951 S	1/2001	Andresen
D445,793 S	7/2001	Ji
D446,520 S	8/2001	Ji
D447,136 S	8/2001	Groves et al.
D454,566 S	3/2002	Andre et al.
D485,271 S	1/2004	Kamegi
D490,812 S	6/2004	Andre et al.
D501,472 S	2/2005	Kumano
D501,660 S	2/2005	Kumano
D514,098 S	1/2006	Huang et al.
D518,053 S	3/2006	Chen
D526,319 S	8/2006	Ohno
D529,910 S	10/2006	Ota
7,167,158 B2	1/2007	Silverbrook
D543,544 S	5/2007	Cheng
D556,758 S	12/2007	Nguyen et al.
D558,753 S	1/2008	Andre et al.
D572,246 S	7/2008	Andre et al.
D574,378 S	8/2008	Andre et al.
D579,450 S	10/2008	Ozolins et al.
D580,433 S	11/2008	Chiang et al.
D588,126 S	3/2009	Chiang et al.
7,548,220 B2	6/2009	Silverbrook
7,567,221 B2	7/2009	Silverbrook
D598,451 S	8/2009	Andre et al.
D600,688 S	9/2009	Andre et al.
D603,861 S	11/2009	Hong et al.
D604,289 S	11/2009	Andre et al.
D604,294 S	11/2009	Andre et al.
D604,300 S	11/2009	Andre et al.
D604,736 S	11/2009	Andre et al.
D606,068 S	12/2009	Hong et al.
D606,534 S	12/2009	Hong et al.
D607,450 S	1/2010	Morishita et al.
D611,469 S	3/2010	Andre et al.
D612,843 S	3/2010	Andre et al.
D612,844 S	3/2010	Andre et al.
D613,284 S	4/2010	Solomon et al.
D616,880 S	6/2010	Andre et al.
D616,881 S	6/2010	Andre et al.
D616,886 S	6/2010	Andre et al.
D621,402 S	8/2010	Andre et al.

D625,310 S	10/2010	Andre et al.	
D625,717 S	10/2010	Andre et al.	
D633,093 S	2/2011	Andre et al.	
D633,498 S	3/2011	Andre et al.	
D635,566 S	4/2011	Andre et al.	
D640,695 S	6/2011	Andre et al.	
D641,021 S	7/2011	Andre et al.	
D642,172 S	7/2011	Akana et al.	
D642,560 S	8/2011	Akana et al.	
D649,549 S	11/2011	Andre et al.	
D652,032 S	1/2012	Akana et al.	
D655,704 S	3/2012	Akana et al.	
D661,296 S	6/2012	Akana et al.	
D662,497 S	6/2012	Akana et al.	
D662,935 S	7/2012	Andre et al.	
D664,144 S	7/2012	Akana et al.	
D664,537 S	7/2012	Hu et al.	
D667,404 S	9/2012	Akana et al.	
D676,048 S	2/2013	McManigal et al.	
D681,031 S	4/2013	Lee et al.	
D685,784 S	7/2013	Ma	
D687,030 S	7/2013	Andre et al.	
D687,031 S	7/2013	Chen et al.	
D691,129 S	10/2013	Akana et al.	
D695,291 S	12/2013	Andre et al.	
D696,244 S	12/2013	Akana et al.	
D696,659 S	12/2013	Chen et al.	
D696,660 S	12/2013	Chen et al.	
D696,661 S	12/2013	Chen et al.	
D706,772 S	6/2014	Koyama et al.	
D708,179 S	7/2014	Andre et al.	
D729,227 S	5/2015	Fukuoka	
D735,196 S	7/2015	Son	
9,128,532 B2	9/2015	Yu et al.	
D740,831 S	10/2015	Colby	
D745,521 S	12/2015	Jiang et al.	
D758,377 S *	6/2016	Warren	D14/392
D760,226 S	6/2016	Bailey et al.	
D772,885 S *	11/2016	Akana	D14/455
D772,886 S *	11/2016	Akana	D14/455
D773,474 S *	12/2016	Akana	D14/455
D775,630 S *	1/2017	Starrett	D14/455
D776,114 S *	1/2017	Akana	D14/392
2011/0043985 A1	2/2011	Yang	
2012/0099264 A1	4/2012	Degner et al.	

OTHER PUBLICATIONS

Sony X505 Keyboard, available at least as early as May 8, 2005.
 Sony VAIO PCG-4G1L, available at least as early as May 8, 2006.
 Olidata Altro, available at least as early as Jun. 1, 2009.
 Olidata Altro, <http://notebookitalia.it/olidata-altro-italian-style-notebook-culv-5674.html>, published Mar. 3, 2009.
 Rudi, 13-inch MacBook Air has a modern interior, Nov. 2, 2011, prohardver, 2pgs.
 U.S. Appl. No. 29/361,525 to Jody Akana et al., titled "Electronic Device", filed May 12, 2010 (unpublished).
 U.S. Appl. No. 29/476,137 to Jody Akana et al., titled "Electronic Device", filed Dec. 11, 2013 (unpublished).
 U.S. Appl. No. 29/560,697 to Jody Akana et al., titled "Electronic Device", filed Apr. 8, 2016 (unpublished).
 U.S. Appl. No. 29/560,693 to Jody Akana et al., titled "Electronic Device", filed Apr. 8, 2016 (unpublished).
 U.S. Appl. No. 29/533,841 to Jody Akana et al., titled "Electronic Device", filed Jul. 22, 2015 (unpublished).
 U.S. Appl. No. 29/560,682 to Jody Akana et al., titled "Electronic Device", filed Apr. 8, 2016 (unpublished).
 Onkyo Corporation Japan, Keyboard, available as early as Jul. 22, 2015.
 Lenovo Group Ltd., Keyboard, available as early as Jul. 22, 2015.

* cited by examiner

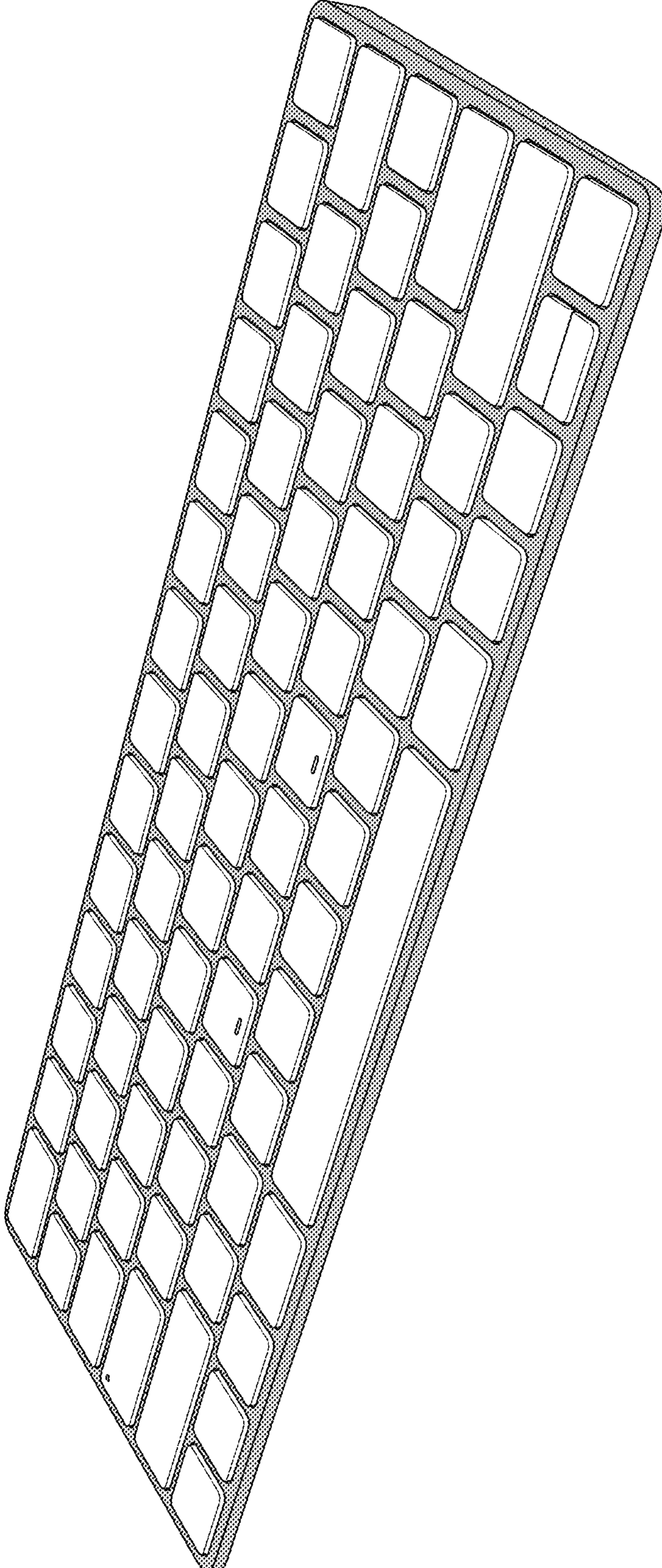


Fig. 1

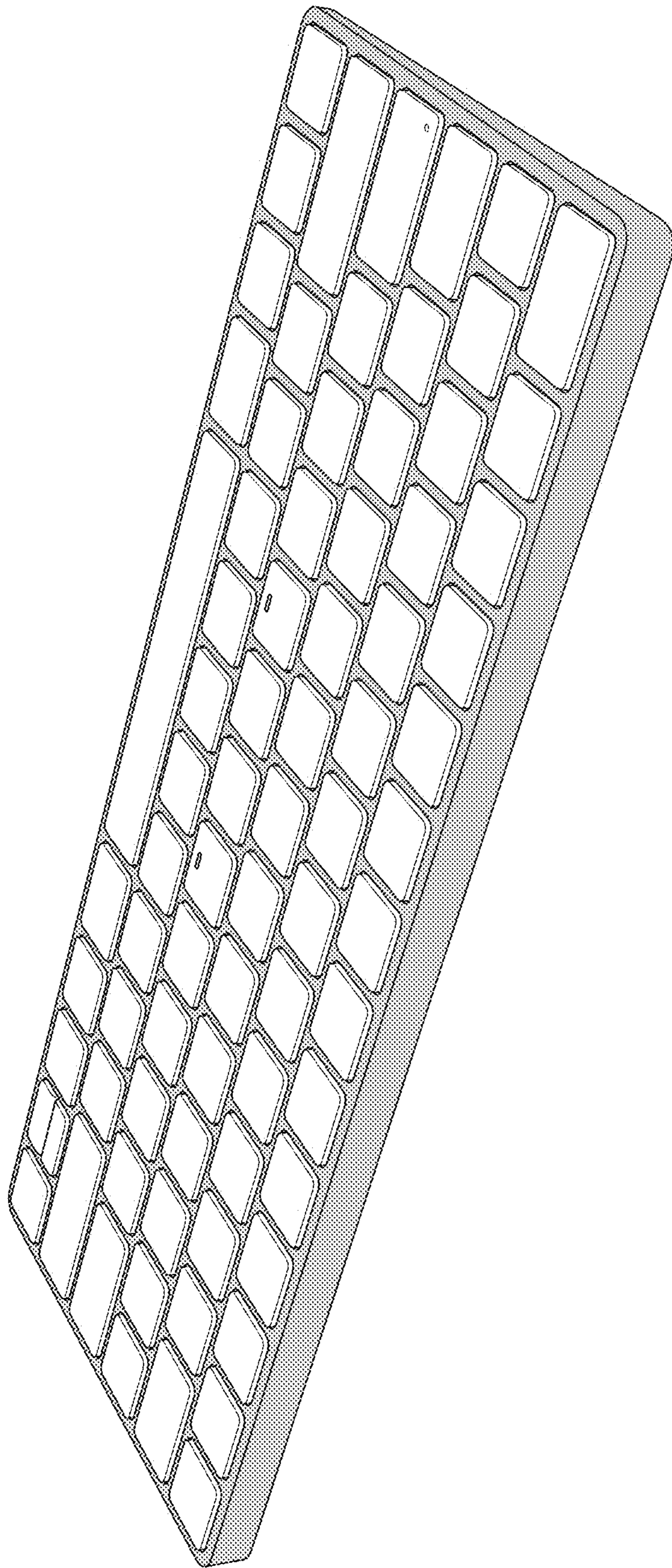


Fig. 2

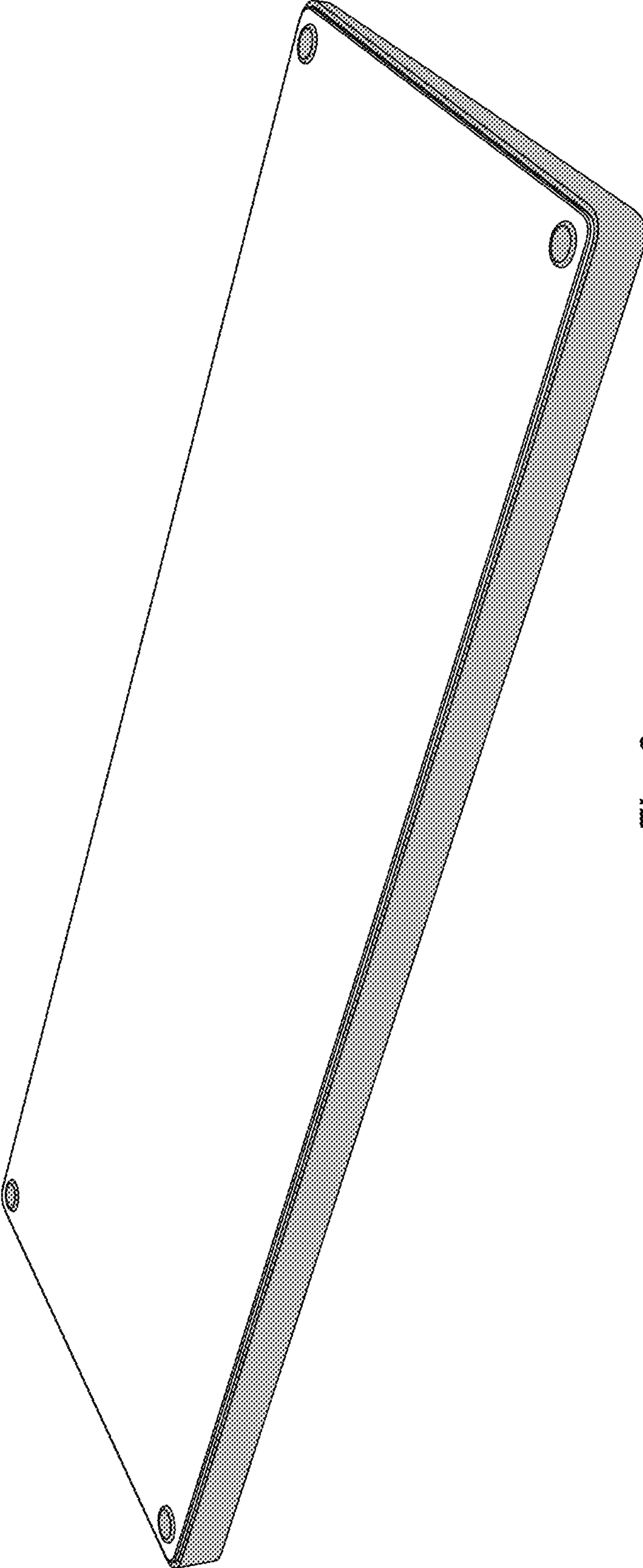


Fig. 3

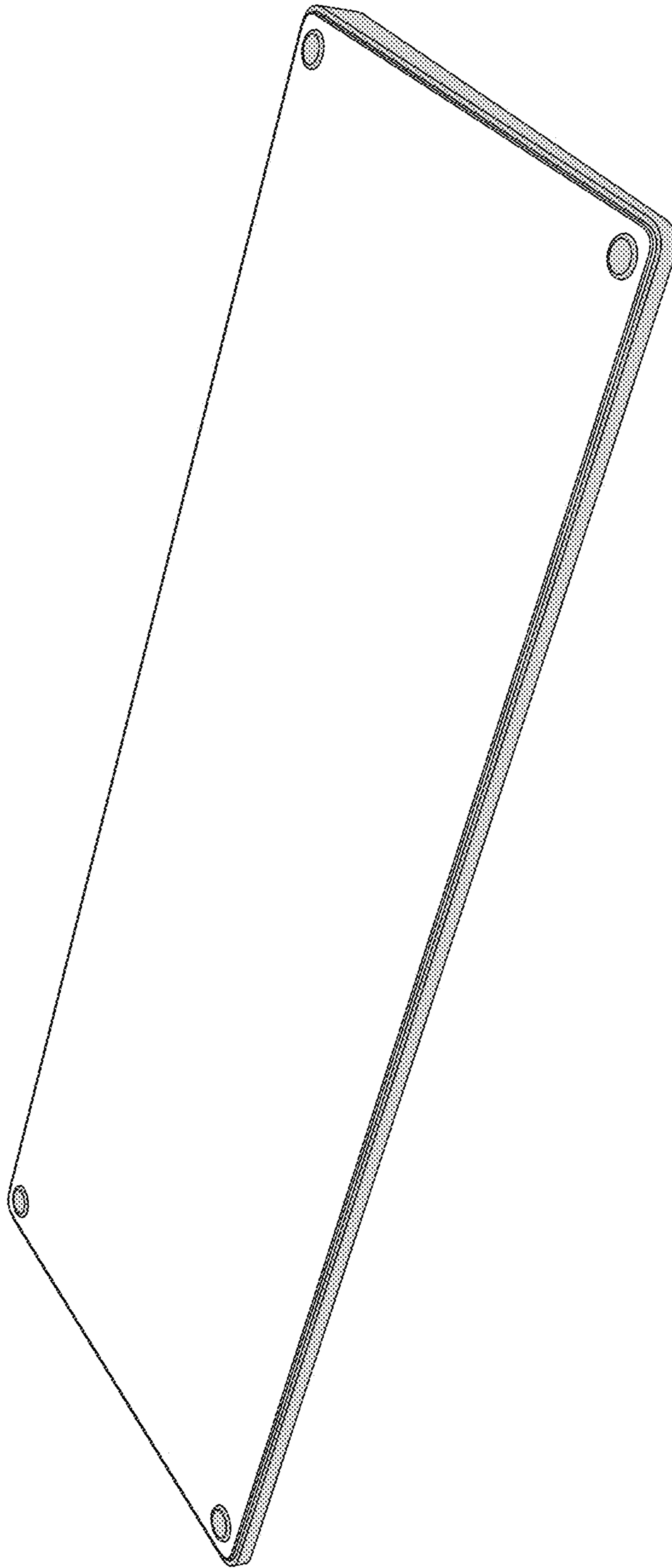


Fig. 4

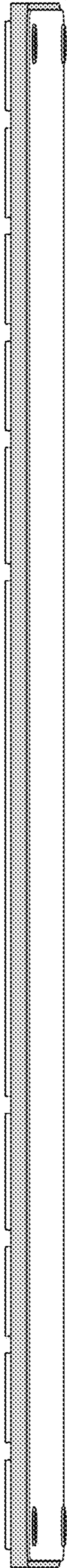


Fig. 5

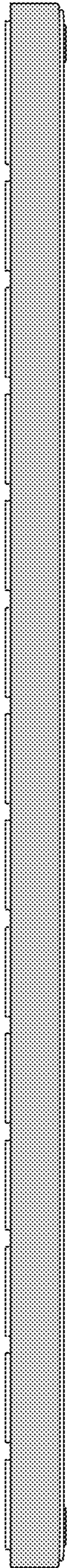


Fig. 6

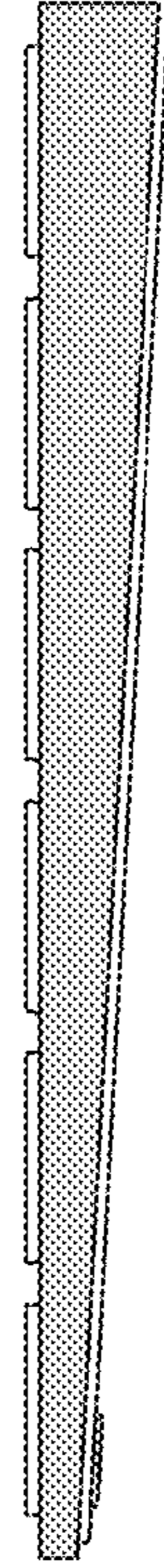


Fig. 8

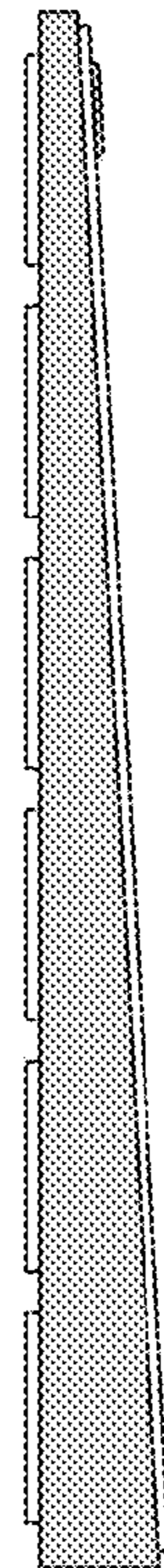


Fig. 7

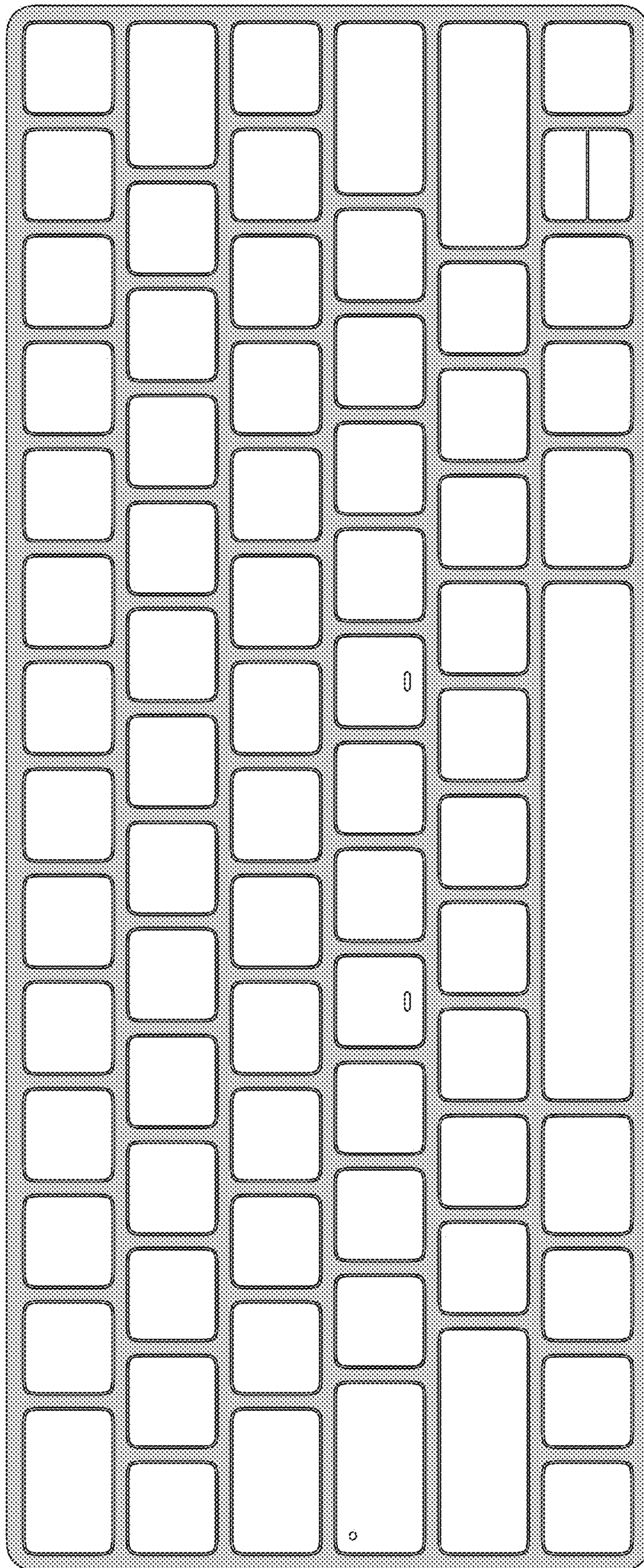


Fig. 9

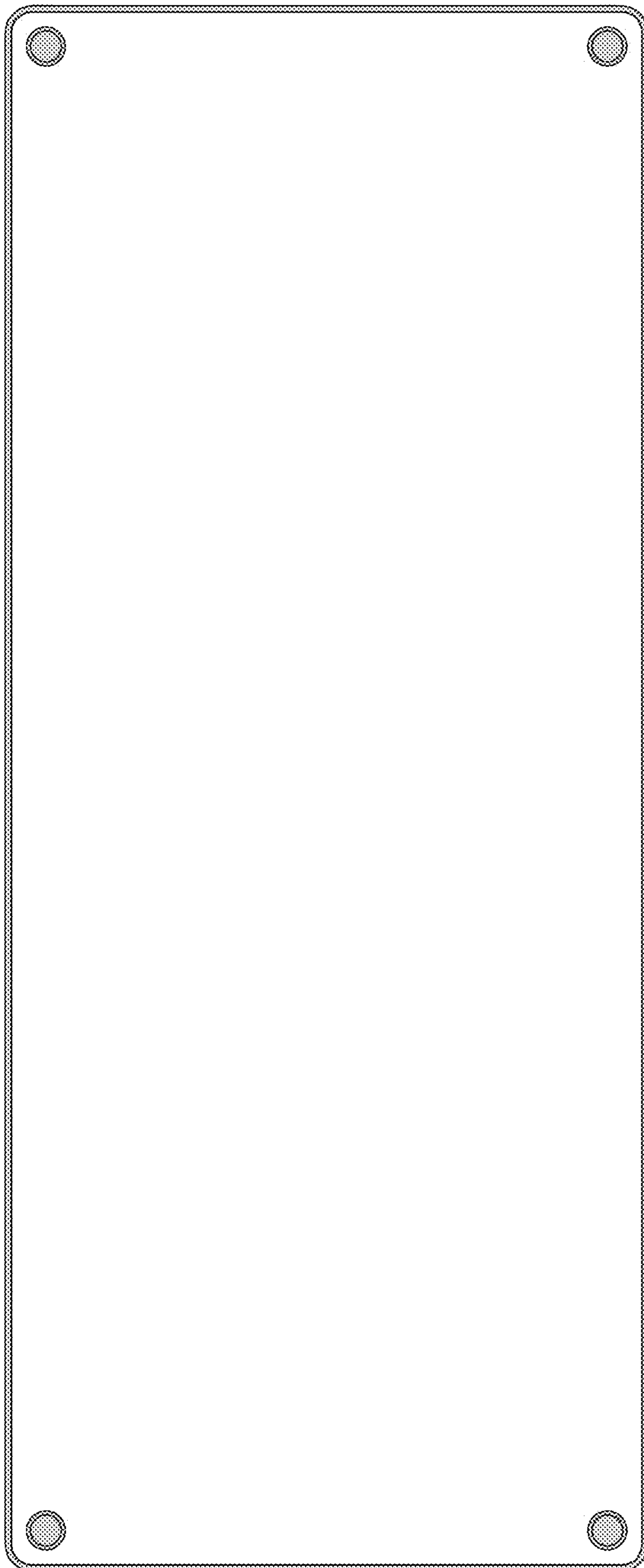


Fig. 10