



US00D888719S

(12) **United States Design Patent** (10) **Patent No.:** **US D888,719 S**  
**Moore** (45) **Date of Patent:** **\*\* Jun. 30, 2020**

(54) **IMPACT RESISTANT HOUSING FOR A SMART DEVICE**  
(71) Applicant: **Cameron Moore**, Costa Mesa, CA (US)  
(72) Inventor: **Cameron Moore**, Costa Mesa, CA (US)  
(\*\*) Term: **15 Years**  
(21) Appl. No.: **29/660,401**  
(22) Filed: **Aug. 21, 2018**  
(51) **LOC (12) Cl.** ..... **14-02**  
(52) **U.S. Cl.**  
USPC ..... **D14/440**  
(58) **Field of Classification Search**  
USPC ..... D14/440, 447, 250; 206/45.23, 320, 206/45.2; 361/679.55; 294/25; 224/218  
CPC .... G06F 1/1628; G06F 1/1626; G06F 1/1669; A47B 23/044; H04B 1/3888  
See application file for complete search history.

(56) **References Cited**  
U.S. PATENT DOCUMENTS  
D635,555 S \* 4/2011 Giles ..... D14/217  
D641,756 S \* 7/2011 Hsieh ..... D14/440  
D651,606 S \* 1/2012 Luijben ..... D14/250  
D661,646 S \* 6/2012 Son ..... D13/108  
D668,660 S \* 10/2012 Norfolk ..... D14/440  
D670,702 S \* 11/2012 Zhang ..... D14/440  
D674,803 S \* 1/2013 Westrup ..... A45C 3/02  
D14/440  
D678,293 S \* 3/2013 Meehan ..... D14/440  
D687,440 S \* 8/2013 Shieh ..... D14/447  
D695,298 S \* 12/2013 Han ..... D14/440  
D704,194 S \* 5/2014 Young ..... D14/440  
D717,804 S \* 11/2014 Budge ..... D14/447  
D718,316 S \* 11/2014 Veltz ..... D14/440

D719,144 S \* 12/2014 Eulette ..... D14/250  
D725,119 S \* 3/2015 Gaylord ..... D14/440  
D726,732 S \* 4/2015 Lay ..... D14/440  
9,229,494 B2 \* 1/2016 Rayner ..... G06F 1/163  
D748,634 S \* 2/2016 Hofer ..... D14/440  
D757,731 S \* 5/2016 Nguyen ..... D14/440  
D766,247 S \* 9/2016 Burmester ..... D14/440  
D795,263 S \* 8/2017 Fujioka ..... D14/440  
D795,880 S \* 8/2017 Akana ..... D14/440  
D798,302 S \* 9/2017 Burmester ..... D14/440  
9,847,806 B1 \* 12/2017 Dickie ..... H04B 1/3888  
D834,026 S \* 11/2018 Moore ..... D14/440  
2003/0222149 A1 \* 12/2003 Solomon ..... G06F 1/1669  
235/472.01  
2012/0043247 A1 \* 2/2012 Westrup ..... A45C 3/02  
206/472  
2012/0193496 A1 \* 8/2012 Li ..... F16M 11/041  
248/316.1

(Continued)

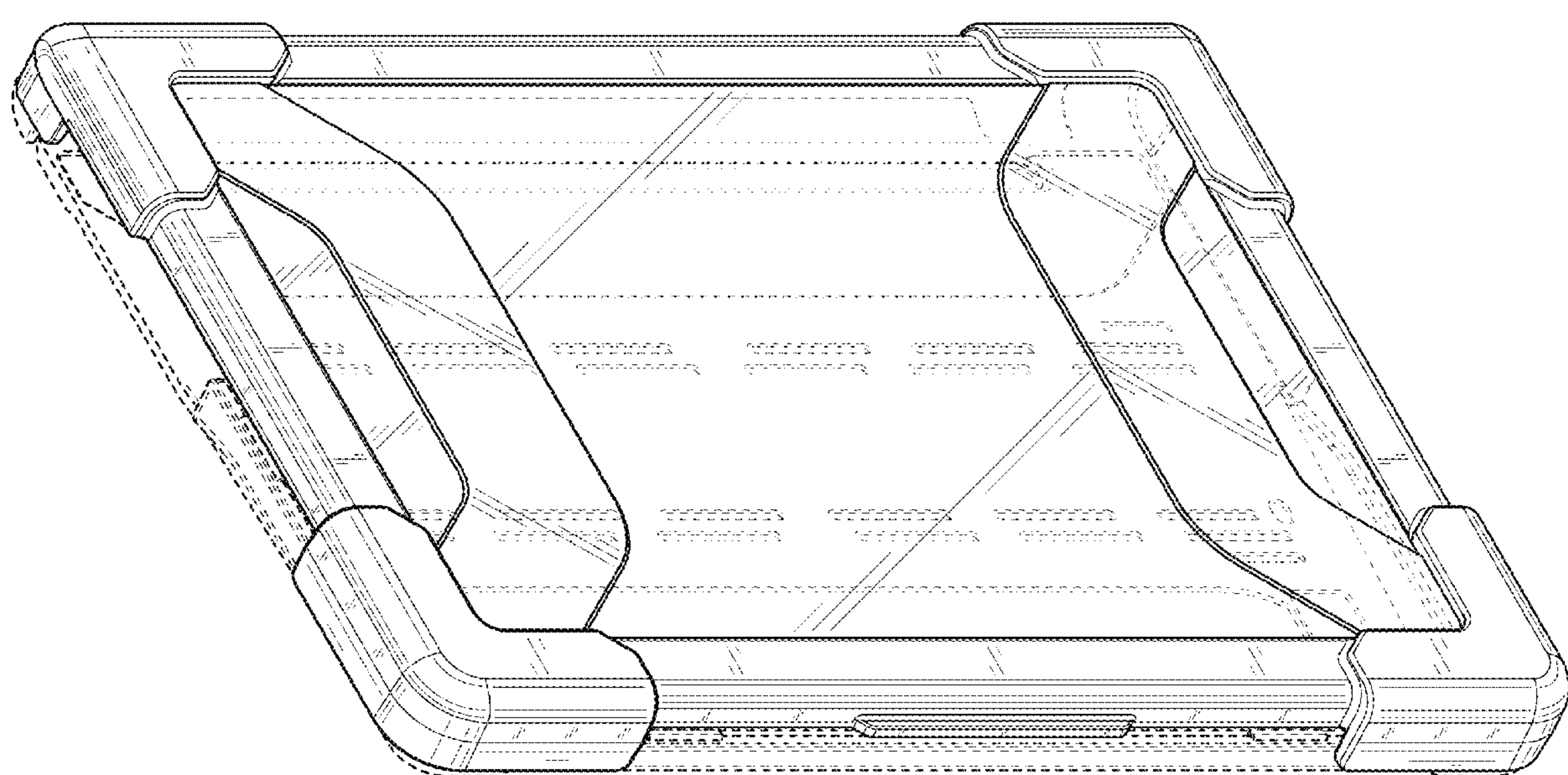
*Primary Examiner* — Cynthia R Underwood  
(74) *Attorney, Agent, or Firm* — Plager Schack LLP; Mark H. Plager

(57) **CLAIM**  
The ornamental design for an impact resistant housing for a smart device, as shown and described.

**DESCRIPTION**

FIG. 1 is a front perspective view of the housing.  
FIG. 2 is a bottom perspective view of the housing.  
FIG. 3 is a top view of the housing.  
FIG. 4 is a bottom view of the housing.  
FIG. 5 is a right side view of the housing.  
FIG. 6 is a left side view of the housing.  
FIG. 7 is a front view of the housing; and,  
FIG. 8 is a rear view of the housing.  
In the drawings, the broken lines depict environmental subject matter only and form no part of the claimed design.

**1 Claim, 6 Drawing Sheets**



(56)

**References Cited**

U.S. PATENT DOCUMENTS

2015/0156900 A1\* 6/2015 Yeh ..... H04B 1/3888  
312/223.1  
2016/0135560 A1\* 5/2016 Yeh ..... H04M 1/185  
224/581

\* cited by examiner

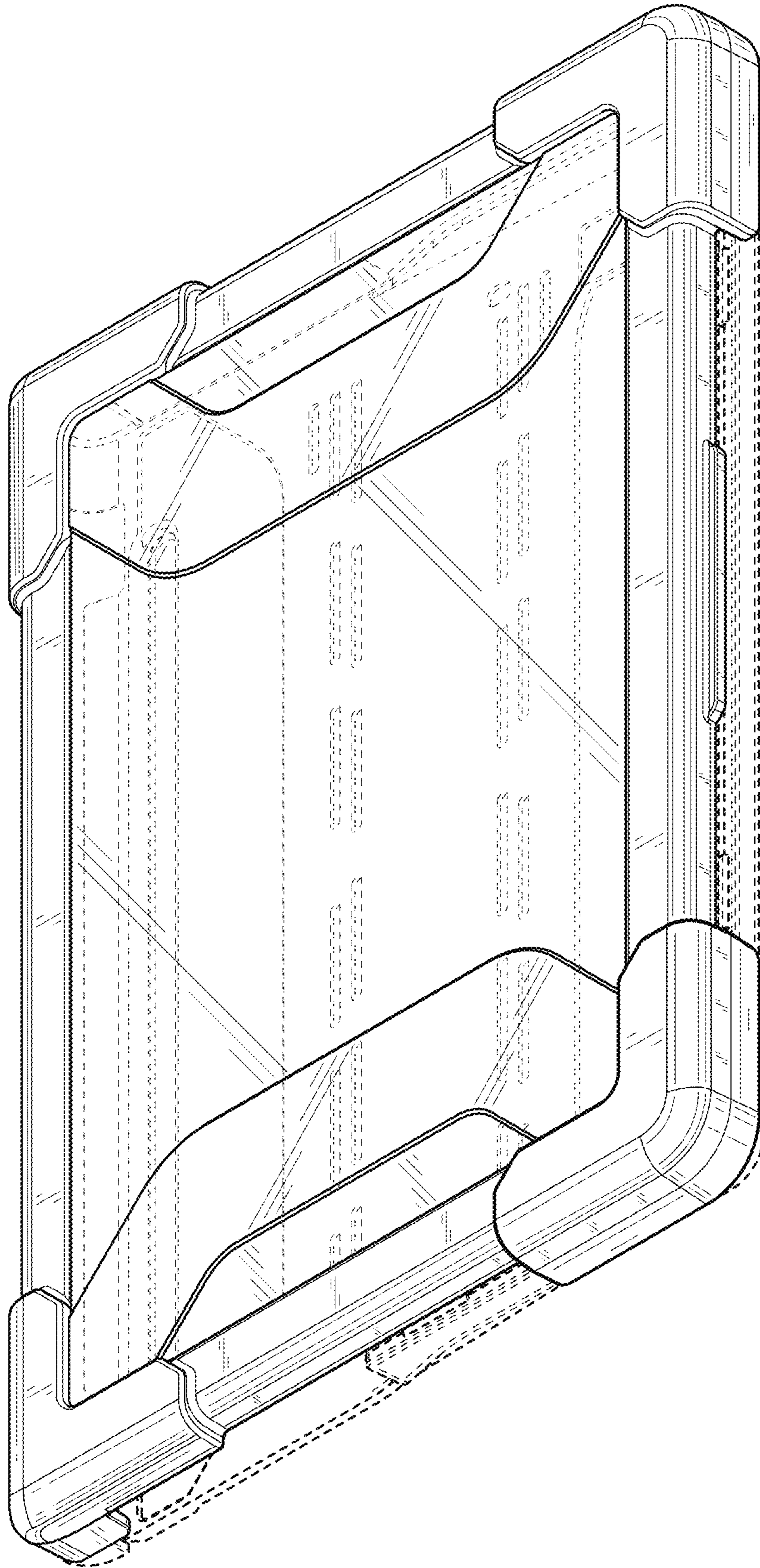


FIG. 1



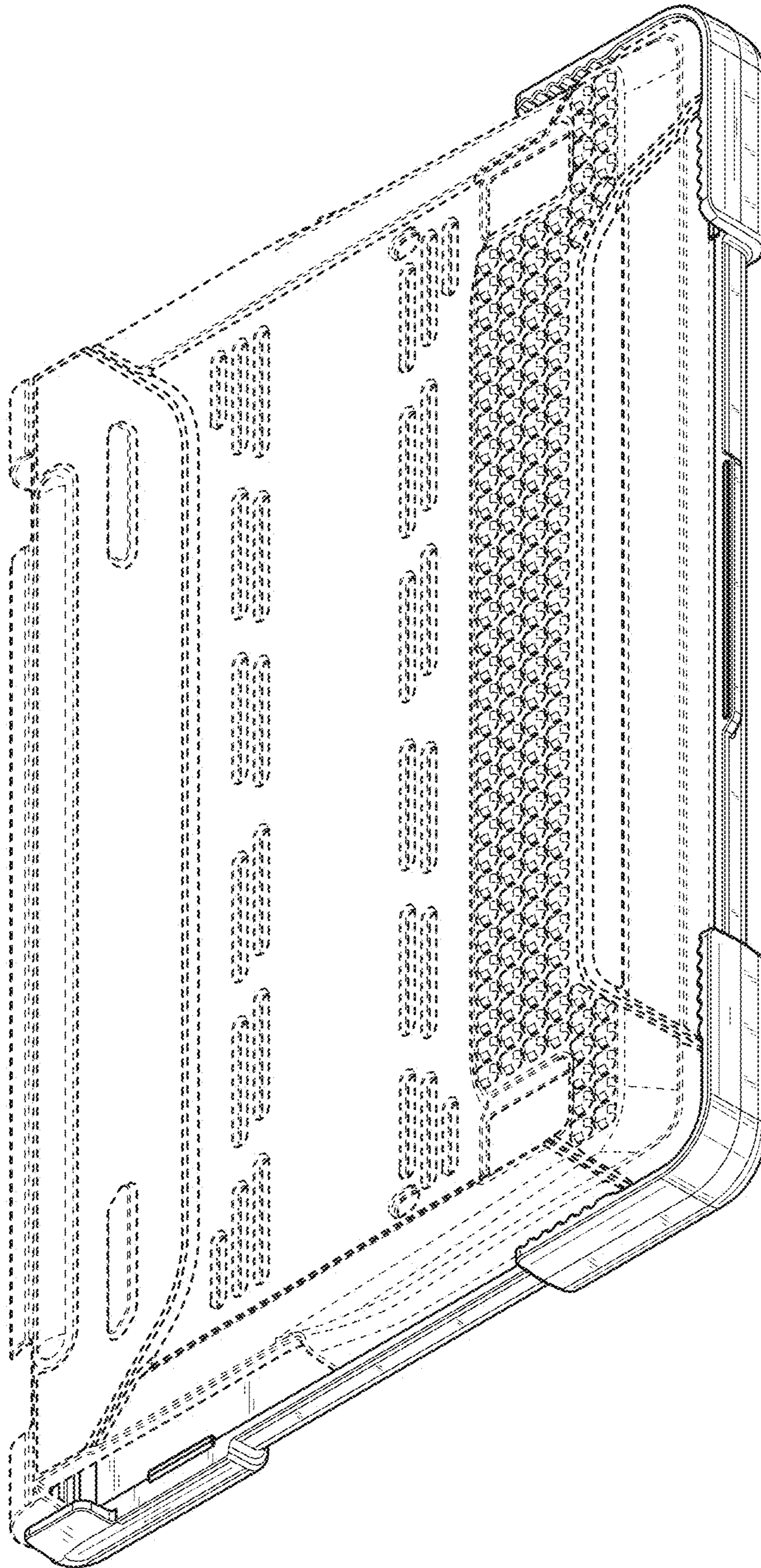


FIG. 2

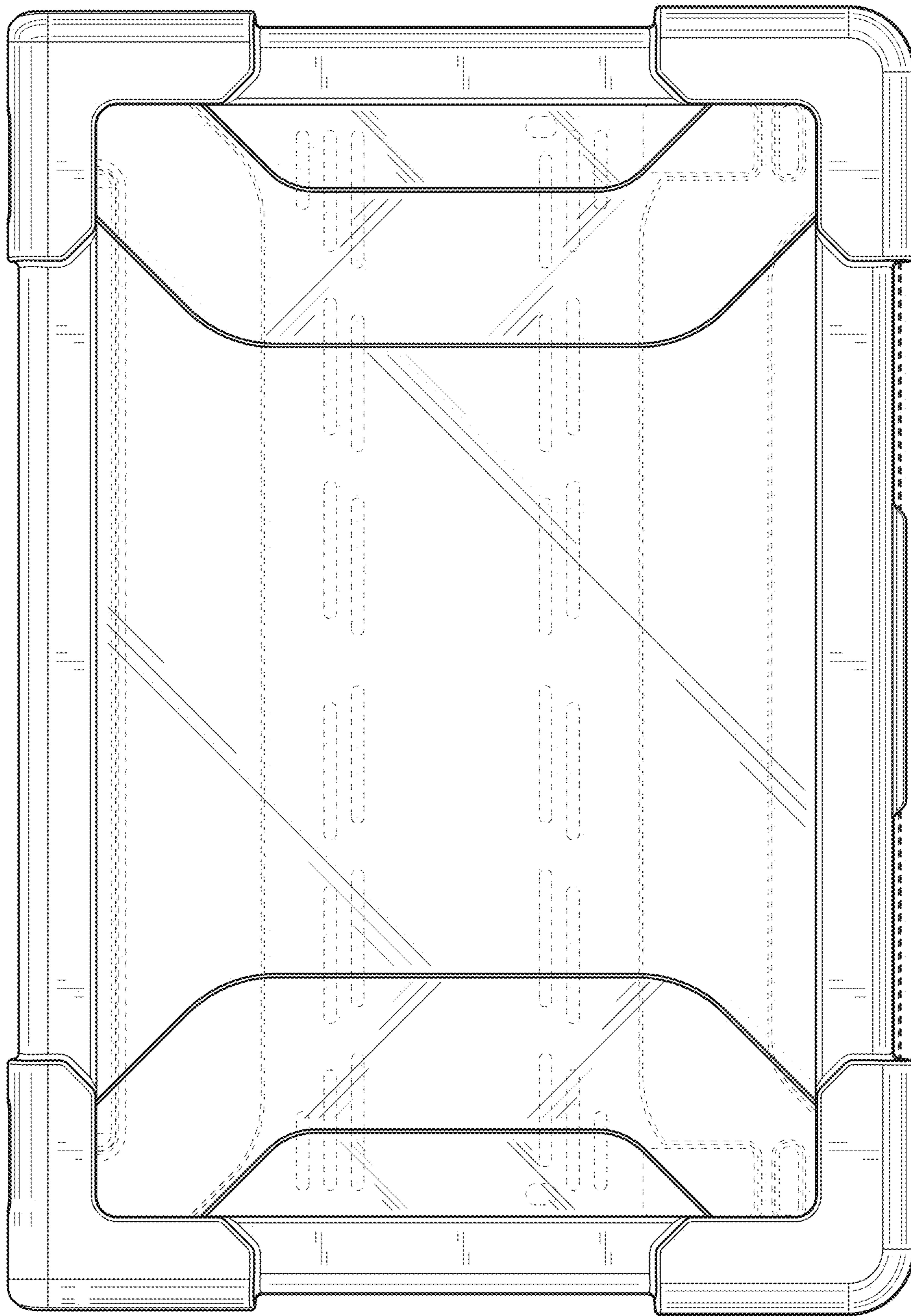


FIG. 3



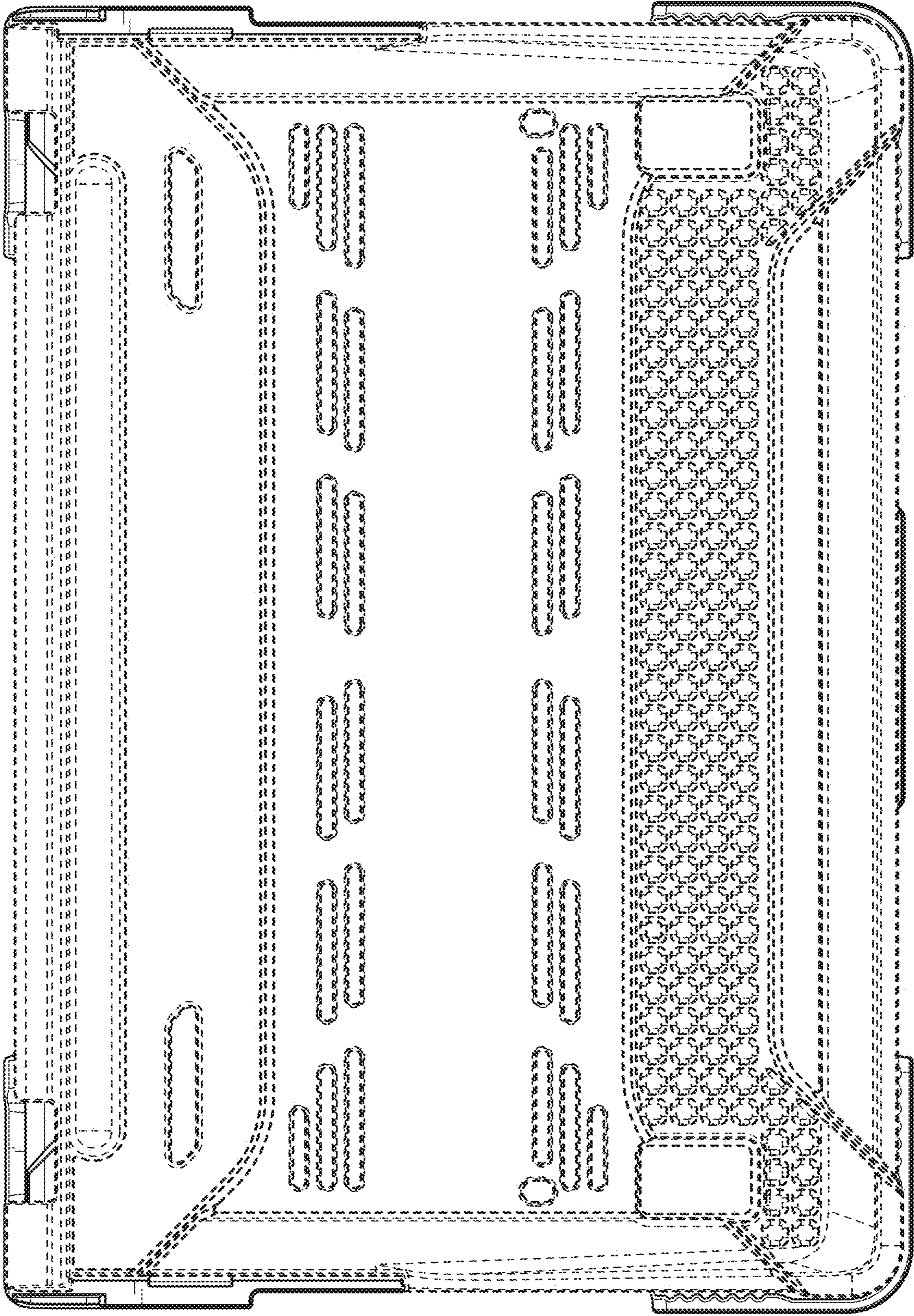


FIG. 4

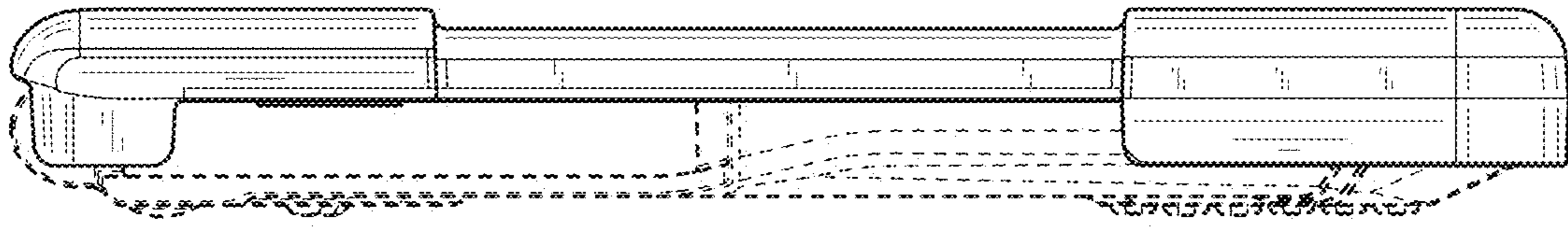


FIG. 6

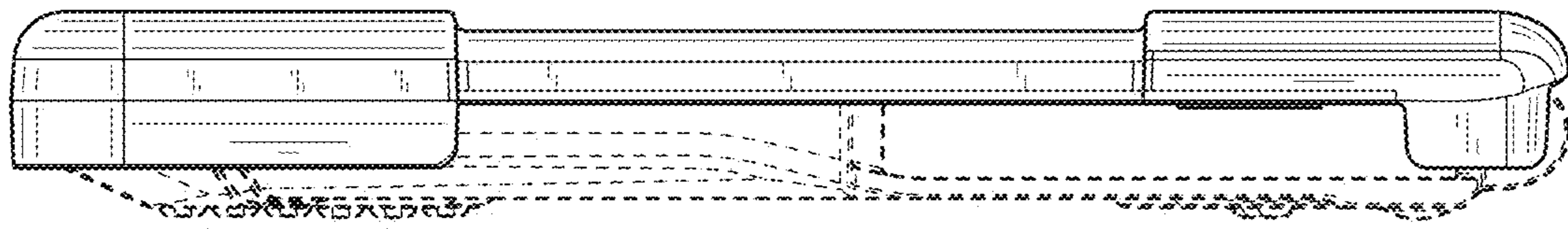


FIG. 5



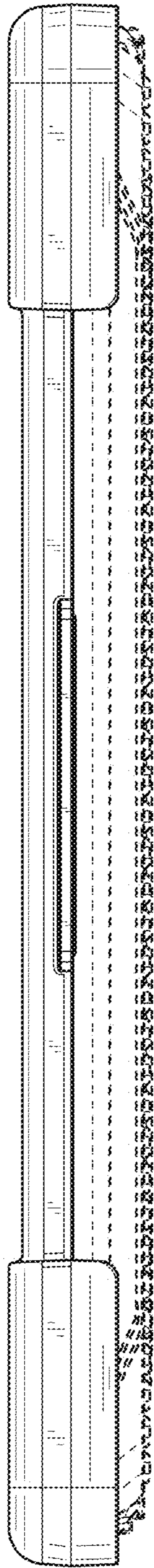


FIG. 7

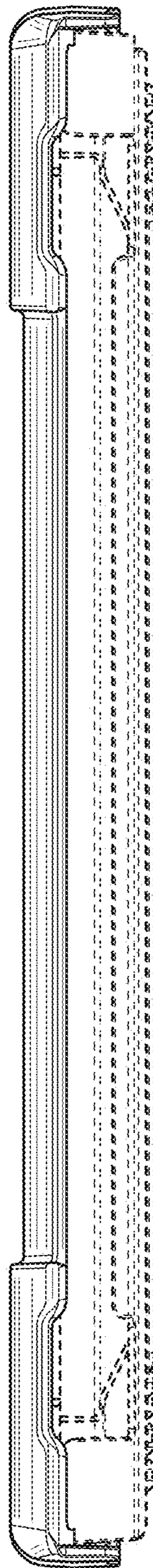


FIG. 8