



US00D888714S

(12) **United States Design Patent** (10) **Patent No.:** **US D888,714 S**
Lu (45) **Date of Patent:** **** Jun. 30, 2020**

(54) **KEYBOARD BASE FOR PORTABLE COMPUTER**

FOREIGN PATENT DOCUMENTS

(71) Applicant: **GETAC TECHNOLOGY CORPORATION**, Hsinchu County (TW)

CN 304903633 * 11/2018
EM 005379575-0001 * 7/2018
EM 005379575-0002 * 7/2018

(72) Inventor: **Wei-Sen Lu**, Taipei (TW)

OTHER PUBLICATIONS

(73) Assignee: **GETAC TECHNOLOGY CORPORATION**, Hsinchu County (TW)

Tablet Computer V110, Getac, getac.com, author not listed, posted on May 20, 2019 © 2019 Getac Technology Corp., online, site visited Dec. 22, 2019. Available from Internet, URL: <https://www.getac.com/us/products/laptops/v110/> (Year: 2019).*

(**) Term: **15 Years**

Primary Examiner — Marissa J Cash

(21) Appl. No.: **29/656,148**

Assistant Examiner — Altaira J Swangin

(22) Filed: **Jul. 10, 2018**

(51) **LOC (12) Cl.** **14-02**

(52) **U.S. Cl.**
USPC **D14/392**

(57) **CLAIM**

(58) **Field of Classification Search**

The ornamental design is for a keyboard base for portable computer, as shown and described.

USPC D14/203.4, 203.6, 247, 345–346, D14/315–327, 391–399, 455–457, 477, D14/507, 509; D18/1–2, 4.1–4.6, 7, 11; 235/145 A, 145 R; 341/22–23; 345/104, 345/156, 168–169, 173; 361/679.08, 361/679.09, 679.11, 679.26, 679.27; 708/142, 146; 400/489; D11/132
CPC B41J 5/00; B41J 5/10; B41J 5/12; F16M 11/10; G06F 3/0219; G06F 3/02
See application file for complete search history.

DESCRIPTION

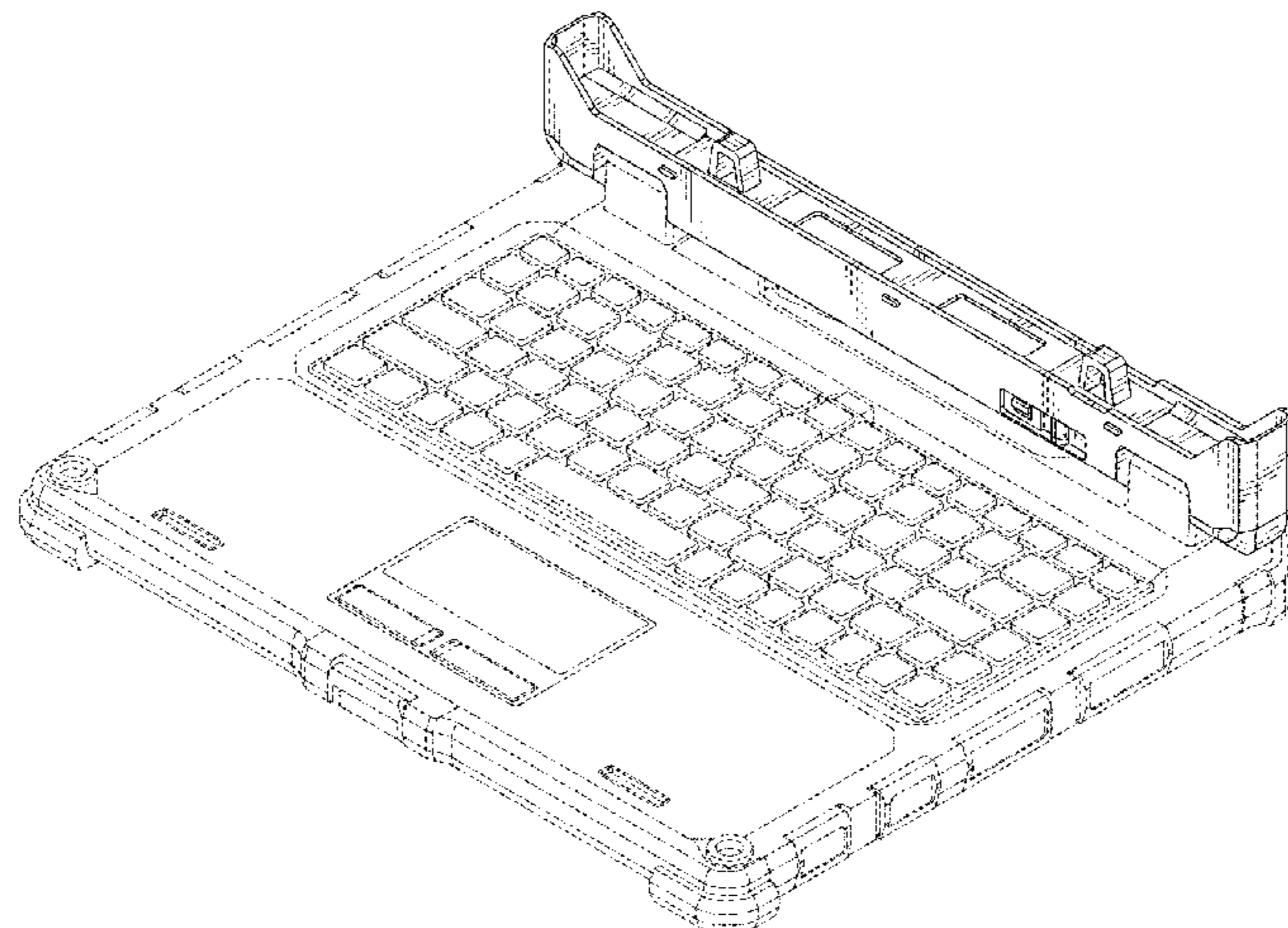
(56) **References Cited**

U.S. PATENT DOCUMENTS

D456,398 S * 4/2002 Horiki D14/318
6,385,039 B1 * 5/2002 Chiang G06F 1/1616
292/148
D492,677 S * 7/2004 Shimizu D14/318
7,265,969 B2 * 9/2007 Jin G06F 1/1616
361/679.09
7,390,983 B2 * 6/2008 Mizuno G06F 1/1616
200/333
D626,128 S * 10/2010 van Os D14/434

FIG. 1 is a top, front and right side perspective view showing my new design;
FIG. 2 is a top, rear and left side perspective view thereof;
FIG. 3 is a bottom, rear and left side perspective view thereof;
FIG. 4 is a front view thereof;
FIG. 5 is a rear view thereof;
FIG. 6 is a left side view thereof;
FIG. 7 is a right side view thereof;
FIG. 8 is a top view thereof;
FIG. 9 is a bottom view thereof; and,
FIG. 10 is another top front right perspective view of the keyboard base for portable computer of FIGS. 1-9, shown in use with the environment of a portable computer installed on my new design.

1 Claim, 8 Drawing Sheets



(Continued)

(56)

References Cited

U.S. PATENT DOCUMENTS

8,437,125 B2 * 5/2013 Jorgensen G06F 1/1616
 29/592.1
 8,446,715 B2 * 5/2013 Su G06F 1/1667
 174/138 E
 8,451,613 B2 * 5/2013 Murakami H05K 1/0284
 361/679.09
 D704,191 S * 5/2014 Ahn D14/434
 8,737,049 B2 * 5/2014 Minaguchi G06F 1/1616
 345/179
 8,947,871 B2 * 2/2015 Lin H05K 5/0239
 361/679.09
 D756,998 S * 5/2016 Suzuki D14/341
 D757,013 S * 5/2016 Sale D14/434
 9,398,707 B2 * 7/2016 Chang H05K 5/0221
 D766,232 S * 9/2016 Suzuki D14/315
 D776,660 S * 1/2017 Takiguchi D14/392
 D776,661 S * 1/2017 Takiguchi D14/392
 D776,662 S * 1/2017 Takiguchi D14/392
 D776,663 S * 1/2017 Takiguchi D14/392
 D778,282 S * 2/2017 Takiguchi D14/392
 D785,634 S * 5/2017 Iwamoto D14/392
 9,899,783 B1 * 2/2018 Chang H01R 29/00
 D815,630 S * 4/2018 Nagai D14/318
 D815,640 S * 4/2018 Nagai D14/434
 D828,349 S * 9/2018 Nagai D14/318
 D834,035 S * 11/2018 Nakajima D14/456
 10,185,360 B1 * 1/2019 Yang G06F 1/1632
 10,372,167 B1 * 8/2019 Hsu G06F 1/1656
 10,452,107 B2 * 10/2019 Katsuyama G06F 1/1656

D879,771 S * 3/2020 Lu D14/328
 2004/0246669 A1 * 12/2004 Minaguchi G06F 1/1616
 361/679.09
 2005/0018396 A1 * 1/2005 Nakajima G06F 1/1616
 361/679.08
 2006/0067035 A1 * 3/2006 Hamada G06F 1/1616
 361/679.09
 2006/0077630 A1 * 4/2006 Minaguchi G06F 1/1616
 361/679.09
 2006/0133020 A1 * 6/2006 Huang F16M 11/126
 361/679.09
 2007/0019375 A1 * 1/2007 Ligtenberg G06F 1/1616
 361/679.26
 2008/0019085 A1 * 1/2008 Nakajima G06F 1/1616
 361/679.08
 2008/0037205 A1 * 2/2008 Arisaka G06F 1/1616
 361/679.08
 2008/0259537 A1 * 10/2008 Arisaka G06F 1/203
 361/679.08
 2010/0149741 A1 * 6/2010 Liu G06F 1/1613
 361/679.08
 2013/0044425 A1 * 2/2013 Lin G06F 1/1632
 361/679.43
 2016/0065690 A1 * 3/2016 Hanyu G06F 3/0488
 715/746
 2016/0314559 A1 * 10/2016 Kimura G06T 3/4092
 2017/0285693 A1 * 10/2017 Mori G06F 1/1616
 2019/0113954 A1 * 4/2019 Hsu G06F 1/1679
 2019/0352936 A1 * 11/2019 Chou E05B 65/0067
 2019/0361492 A1 * 11/2019 Urimoto G06F 1/1616
 2019/0361503 A1 * 11/2019 Kuriyama G06F 1/1679

* cited by examiner

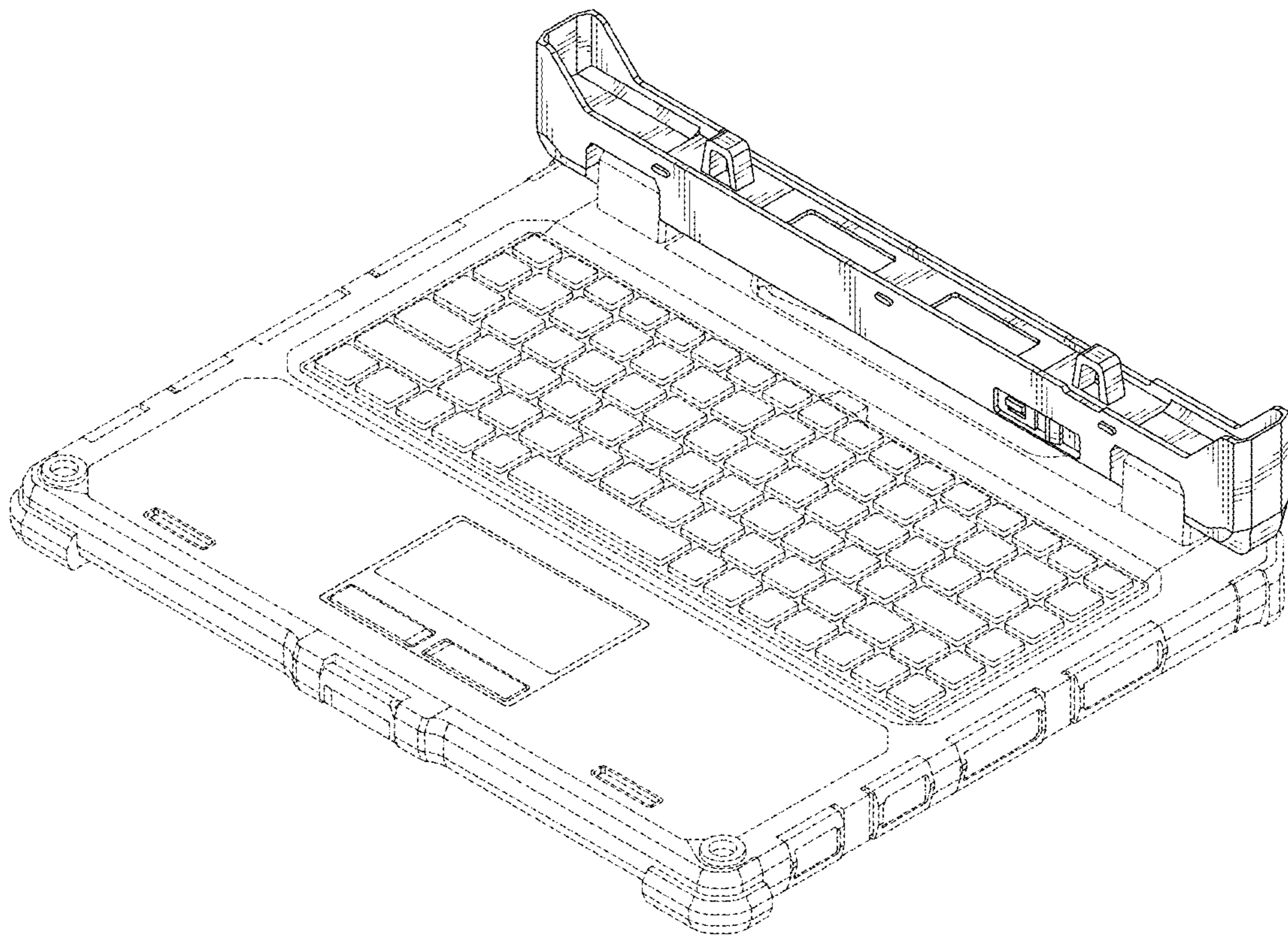


FIG. 1

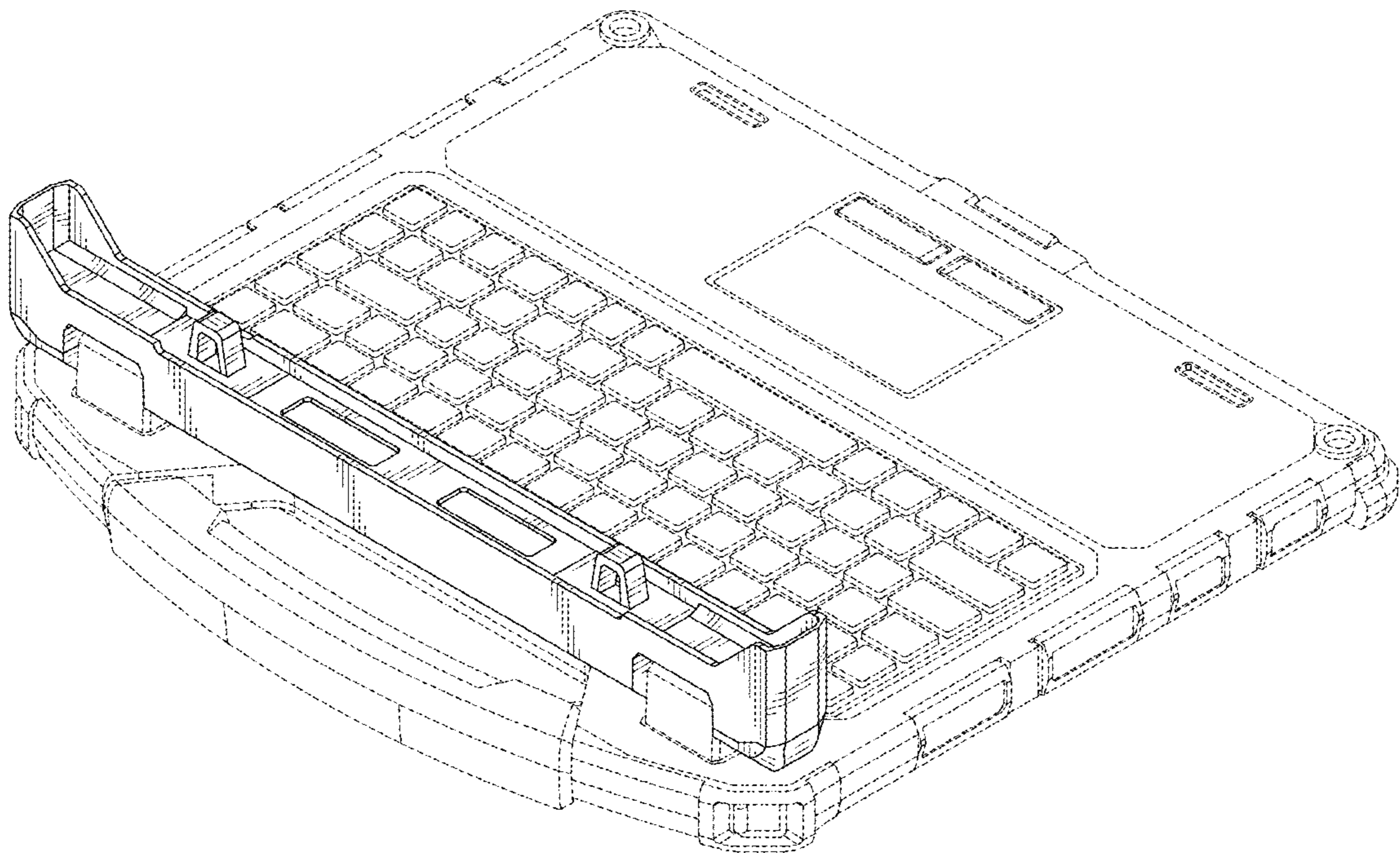


FIG. 2

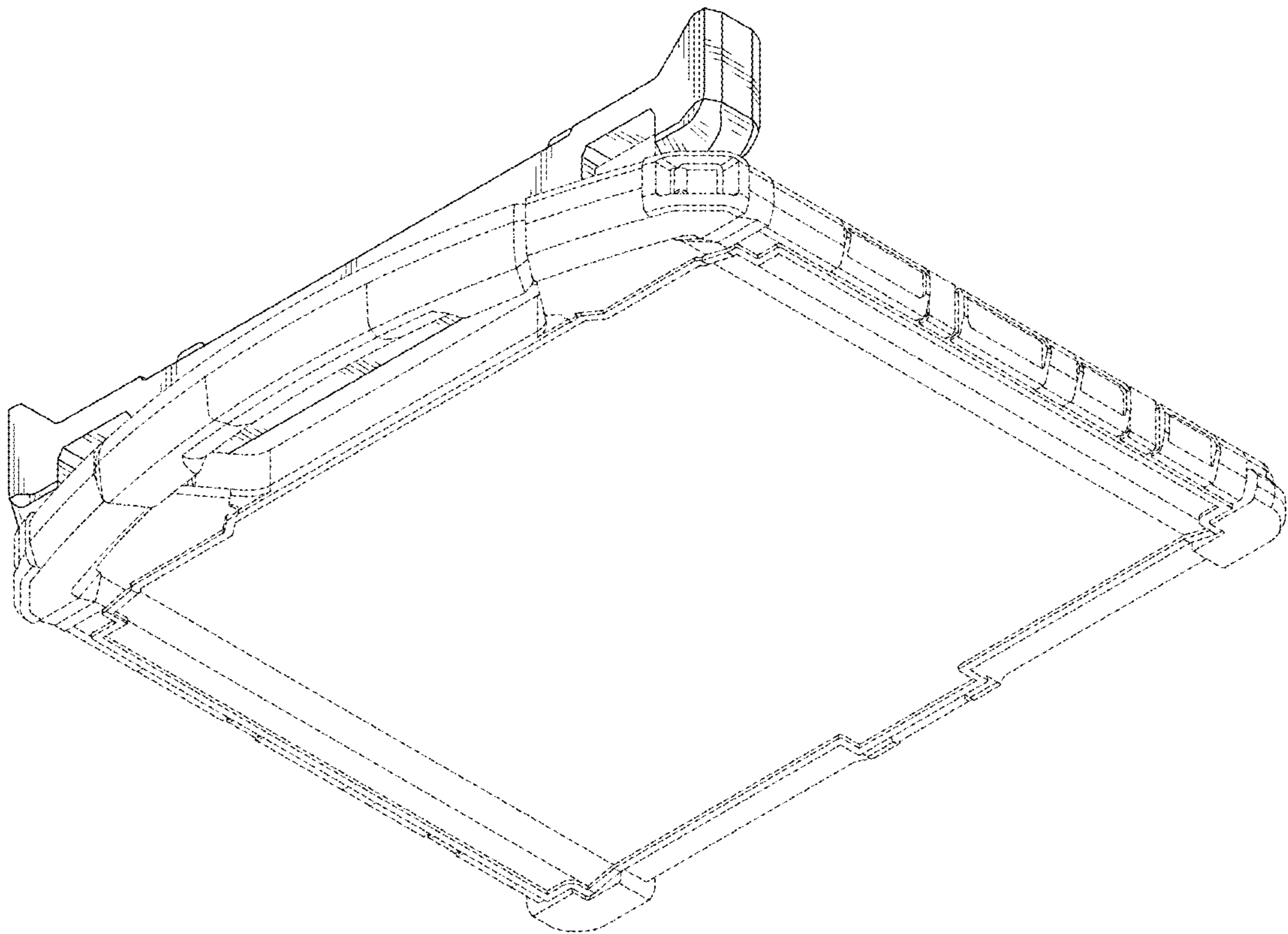


FIG. 3

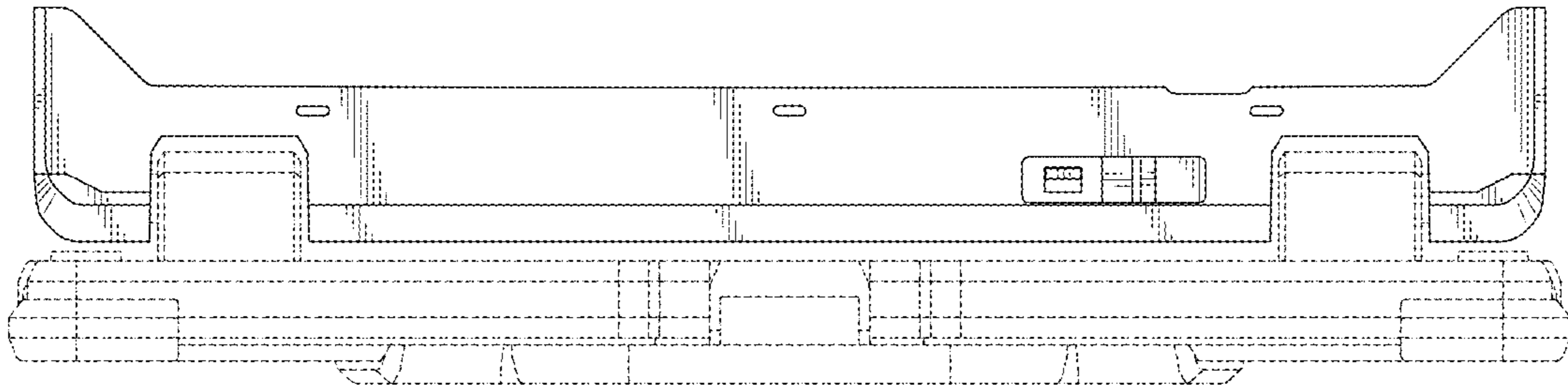


FIG. 4

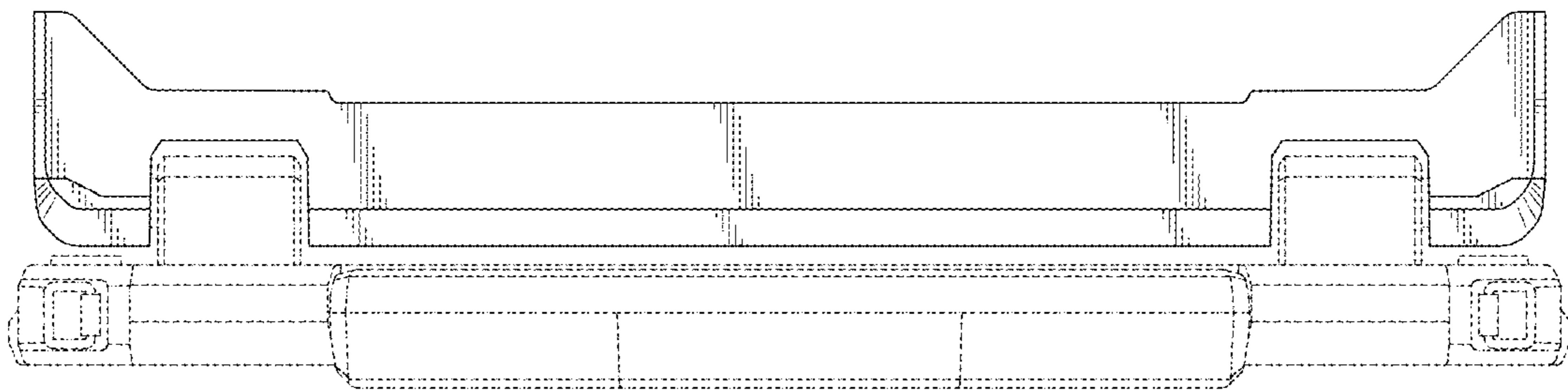


FIG. 5

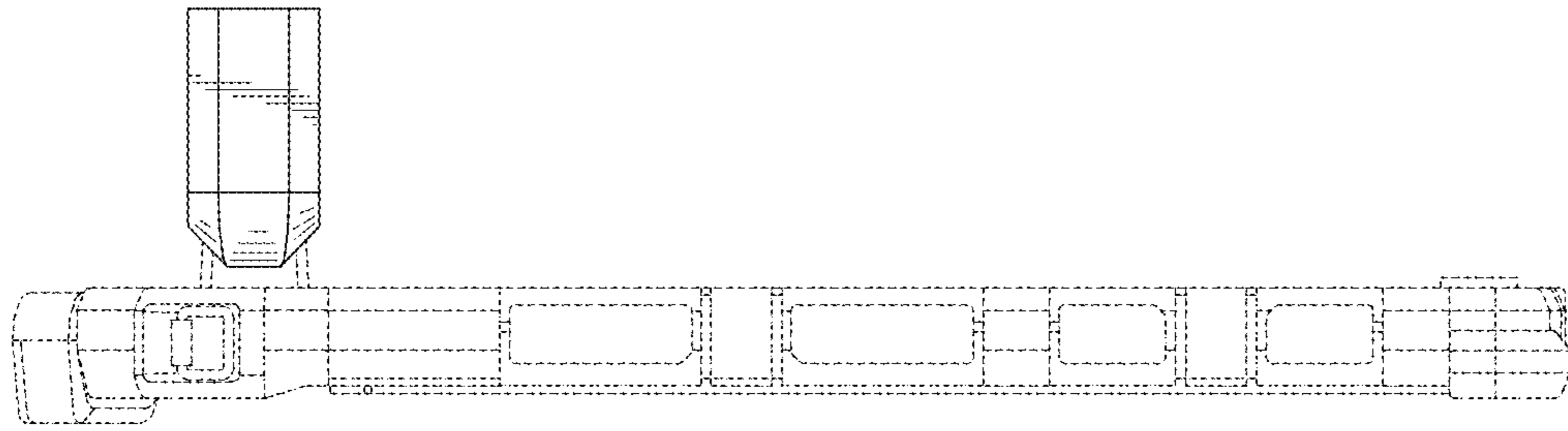


FIG. 6

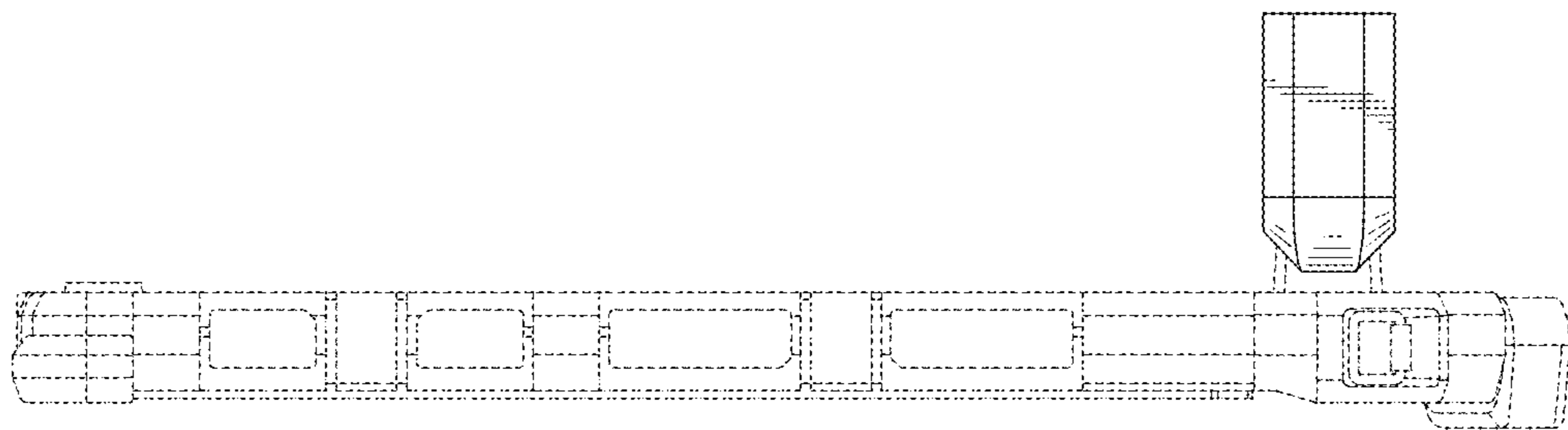


FIG. 7

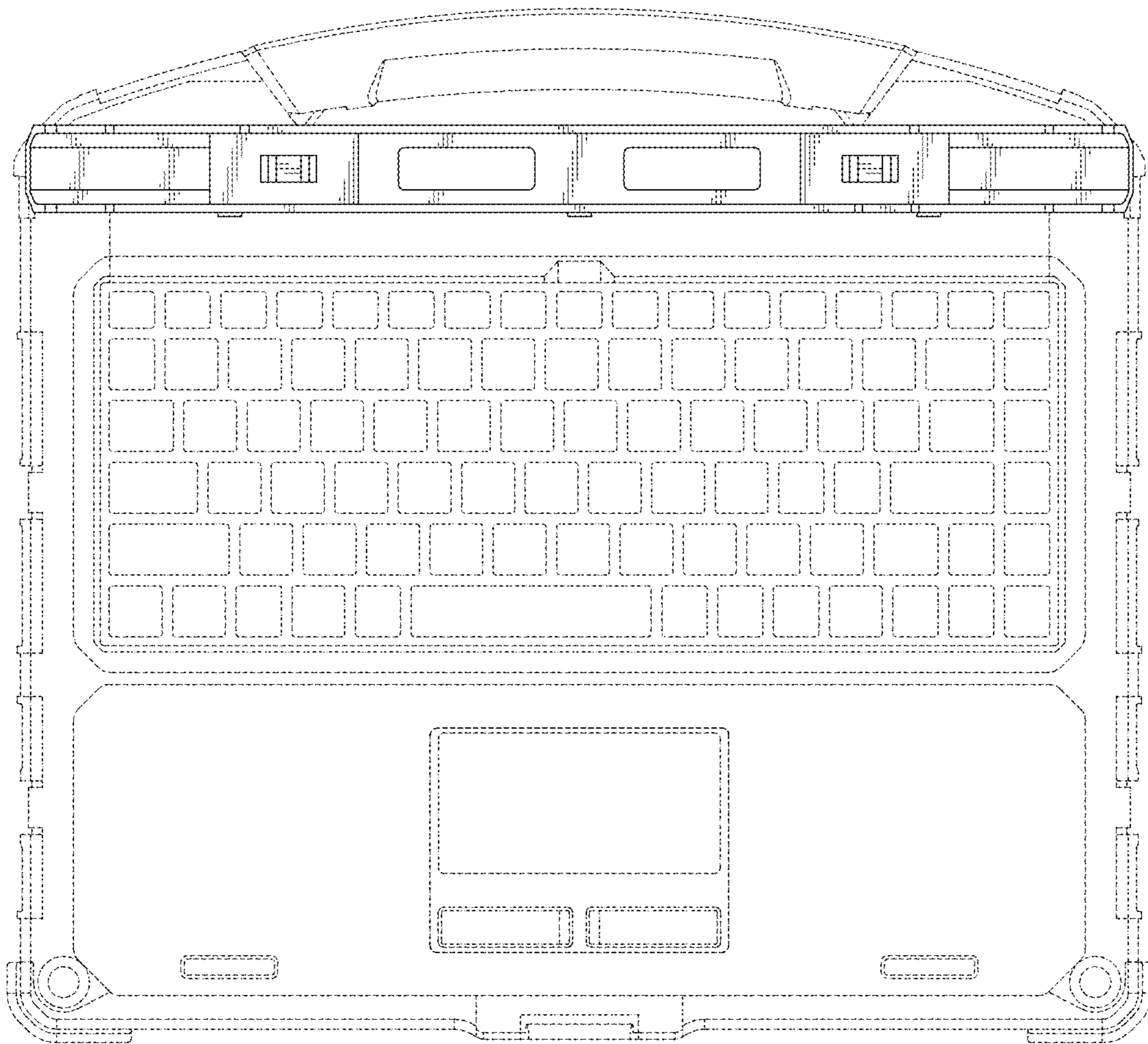


FIG. 8

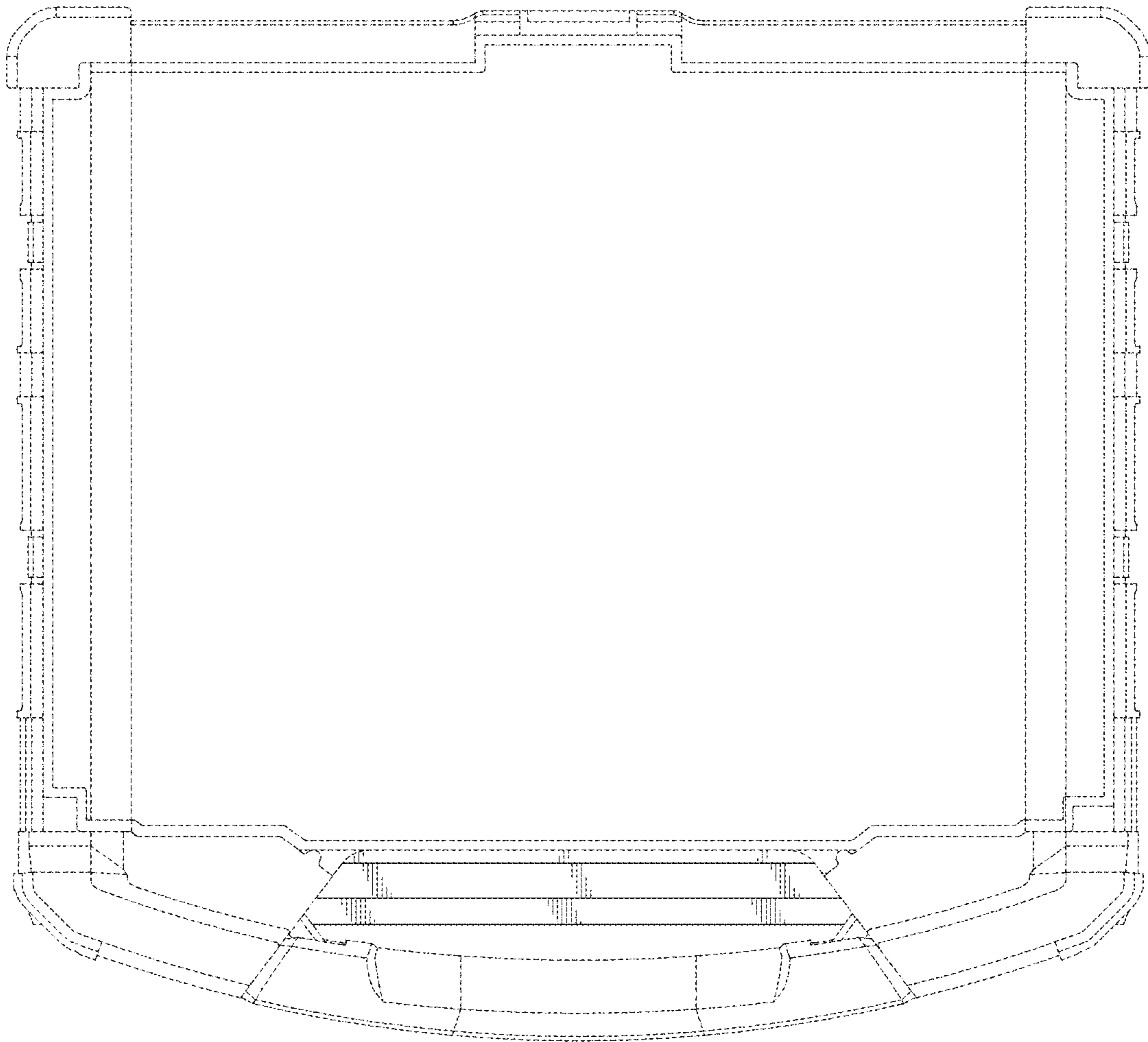


FIG. 9

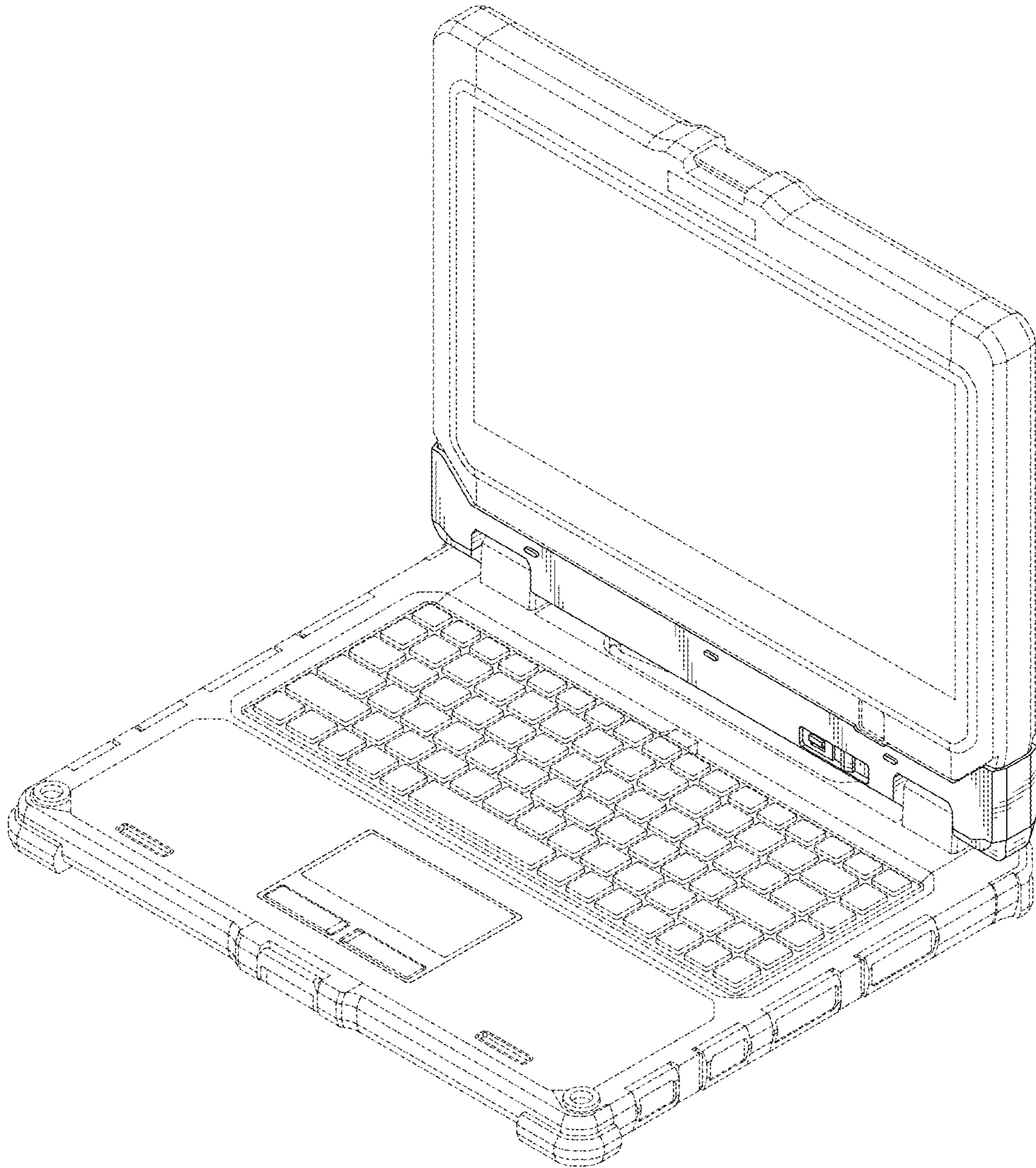


FIG. 10