



US00D888710S

(12) **United States Design Patent**
Yun et al.

(10) **Patent No.:** **US D888,710 S**
(45) **Date of Patent:** **** Jun. 30, 2020**

(54) **CASE FOR WRIST-WORN ELECTRONIC DEVICE**

(71) Applicants: **Sun Woo Yun**, Seoul (KR); **Bum Joon Lee**, Seoul (KR)

(72) Inventors: **Sun Woo Yun**, Seoul (KR); **Bum Joon Lee**, Seoul (KR)

(73) Assignee: **SPIGEN KOREA CO., LTD.**, Seoul (KR)

(**) Term: **15 Years**

(21) Appl. No.: **29/650,833**

(22) Filed: **Jun. 11, 2018**

(51) **LOC (12) Cl.** **14-02**

(52) **U.S. Cl.**
USPC **D14/344**

(58) **Field of Classification Search**
USPC D10/30-39, 122-124, 126, 132; D11/3, D11/5; D8/307, 312; D14/344, 440
See application file for complete search history.

(56) **References Cited**

U.S. PATENT DOCUMENTS

D531,524 S * 11/2006 Behling D10/38
D638,324 S 5/2011 Tang
(Continued)

OTHER PUBLICATIONS

U-Spigen Tough Armor 2nd Generation Apple 38mm Case | Review by Amazon Customer Jan. 13, 2018 at amazon.com [online]. © 1996-2019 Amazon.com, Inc.[retrieved Jan. 23, 2019] from Internet: <https://www.amazon.com/Spigen-Generation-Extreme-Protection-Protector/dp/B075FL41B5?ref_=bl_dp_s_web_5299909011> (Year: 2018).*

(Continued)

Primary Examiner — Sandra S Snapp
Assistant Examiner — Katherine Glennon
(74) *Attorney, Agent, or Firm* — Heedong Chae; Lucem, PC

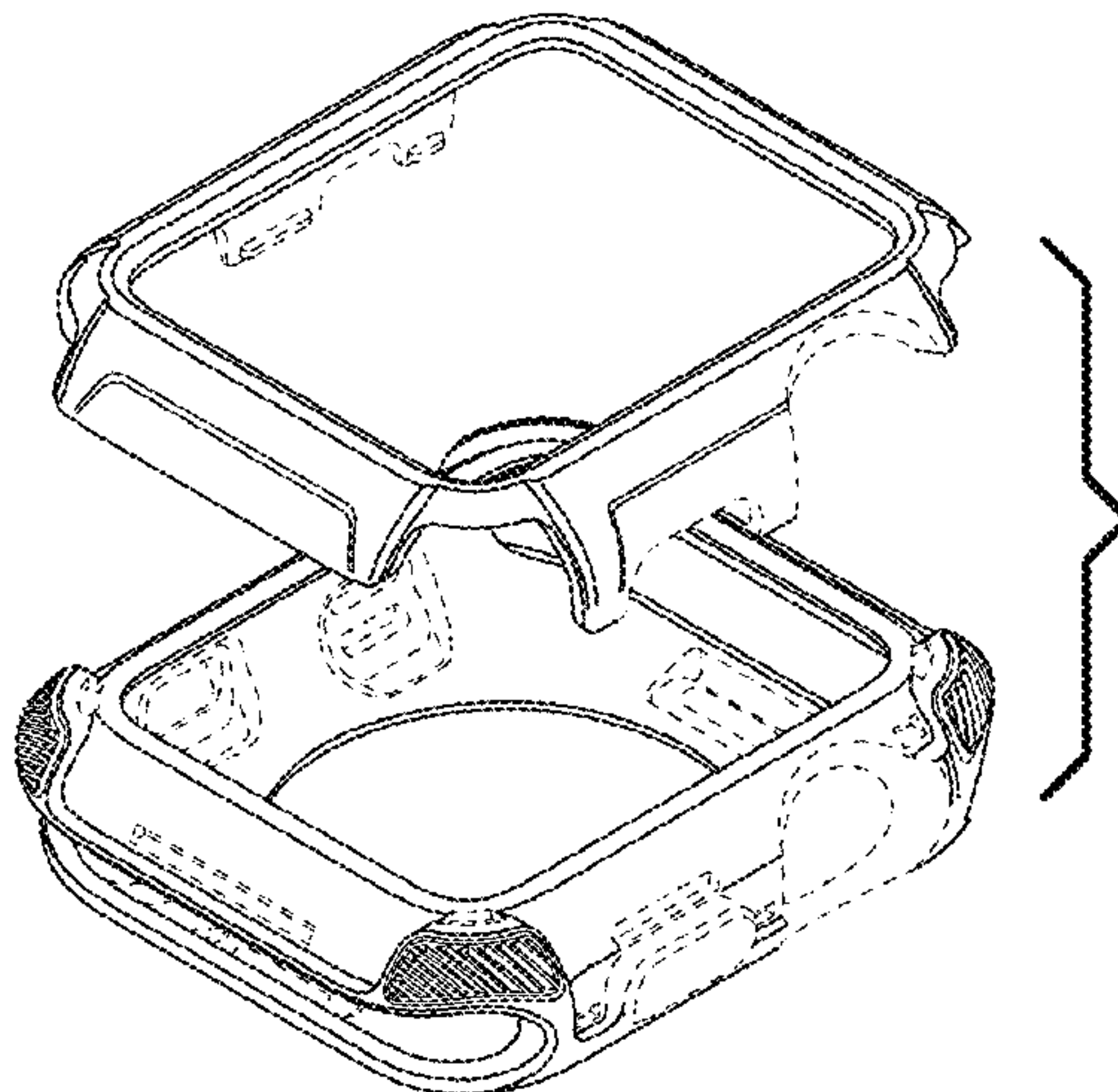
(57) **CLAIM**

The ornamental design for a case for a wrist-worn electronic device, as shown and described.

DESCRIPTION

FIG. 1 is a front perspective view of a case, having a front enclosure member and a body enclosure member, for a wrist-worn electronic device showing my new design; FIG. 2 is another front perspective view thereof; FIG. 3 is a front elevational view thereof; FIG. 4 is a rear elevational view thereof; FIG. 5 is a left side elevational view thereof; FIG. 6 is a right side elevational view thereof; FIG. 7 is a top plan view thereof; FIG. 8 is a bottom plan view thereof; FIG. 9 is a front perspective view of the body enclosure member, in which the front enclosure member is removed for clarity of disclosure; FIG. 10 is another front perspective view of the body enclosure member, in which the front enclosure member is removed for clarity of disclosure; FIG. 11 is a front perspective view of the front enclosure member, in which the body enclosure member is removed for clarity of disclosure; FIG. 12 is another front perspective view of the front enclosure member, in which the body enclosure member is removed for clarity of disclosure; FIG. 13 is a front perspective view of the case for wrist-worn electronic device in which the front enclosure member and the body enclosure member are shown separated for clarity of disclosure; and, FIG. 14 is another front perspective view of the case for wrist-worn electronic device in which the front enclosure member and the body enclosure member are shown separated for clarity of disclosure. The broken line showing of portions of the case for wrist-worn electronic device form no part of the claimed design.

1 Claim, 14 Drawing Sheets



(56)

References Cited

U.S. PATENT DOCUMENTS

| | | | | |
|--------------|------|---------|----------|------------------------|
| 7,946,758 | B2 | 5/2011 | Mooring | |
| D647,107 | S * | 10/2011 | Akana | D14/203.3 |
| D656,135 | S | 3/2012 | Swartz | |
| 8,256,612 | B1 | 9/2012 | Wang | |
| D671,930 | S | 12/2012 | Akana | |
| D674,789 | S | 1/2013 | Wen | |
| D678,262 | S | 3/2013 | Prato | |
| D681,483 | S | 5/2013 | Biegert | |
| D688,582 | S * | 8/2013 | Wilson | D10/128 |
| D688,967 | S | 9/2013 | Wilson | |
| 8,523,124 | B2 | 9/2013 | Yuan | |
| D693,709 | S * | 11/2013 | Lee | D10/65 |
| D694,742 | S * | 12/2013 | Pan | D14/250 |
| D703,649 | S | 4/2014 | Wikel | |
| D714,295 | S | 9/2014 | Fujioka | |
| D716,312 | S | 10/2014 | Fujioka | |
| D723,016 | S | 2/2015 | Lee | |
| D728,549 | S | 5/2015 | Su | |
| D730,225 | S | 5/2015 | Behar | |
| D735,198 | S * | 7/2015 | Song | D14/432 |
| D735,199 | S | 7/2015 | Song | |
| D735,200 | S | 7/2015 | Song | |
| D735,586 | S * | 8/2015 | Stegmann | D10/30 |
| D735,724 | S * | 8/2015 | Song | D14/432 |
| D736,103 | S | 8/2015 | Behling | |
| D752,044 | S * | 3/2016 | Akana | D14/344 |
| D752,996 | S * | 4/2016 | Ebersold | D10/30 |
| D754,133 | S | 4/2016 | Chen | |
| D766,904 | S * | 9/2016 | Jung | D14/440 |
| D766,905 | S * | 9/2016 | Lee | D14/440 |
| D766,906 | S * | 9/2016 | Kim | D14/440 |
| D767,573 | S * | 9/2016 | Kim | D14/440 |
| D769,855 | S * | 10/2016 | Deng | D14/250 |
| D771,504 | S * | 11/2016 | Lai | D10/30 |
| D780,740 | S * | 3/2017 | Kim | D14/250 |
| D780,764 | S * | 3/2017 | Tur | D14/440 |
| D786,879 | S * | 5/2017 | Kim | D14/440 |
| D790,517 | S * | 6/2017 | Akana | D14/244 |
| D795,089 | S * | 8/2017 | Wright | D10/32 |
| D796,735 | S * | 9/2017 | Foleghi | D27/107 |
| D798,744 | S * | 10/2017 | Wright | A45C 13/008 D10/30 |
| D799,344 | S * | 10/2017 | Wright | D10/30 |
| D801,342 | S * | 10/2017 | Tur | D14/440 |
| D809,498 | S * | 2/2018 | Ahn | D14/250 |
| D813,217 | S * | 3/2018 | Kim | D14/250 |
| D813,220 | S * | 3/2018 | Wright | D14/250 |
| D824,377 | S * | 7/2018 | Kim | D14/250 |
| 10,093,377 | B2 * | 10/2018 | Whitten | G06F 1/1656 |
| D837,778 | S * | 1/2019 | Yun | D14/250 |
| D838,263 | S * | 1/2019 | Yun | D14/250 |
| D853,878 | S * | 7/2019 | Wright | D10/128 |
| D861,662 | S * | 10/2019 | Ahn | D14/250 |
| D862,447 | S * | 10/2019 | Kim | D14/250 |
| D862,451 | S * | 10/2019 | Ahn | D14/250 |
| 2010/0061191 | A1 | 3/2010 | Chen | |
| 2012/0257340 | A1 | 10/2012 | Kim | |
| 2013/0222139 | A1 * | 8/2013 | Gouge | A61B 5/01 340/573.1 |
| 2017/0248922 | A1 * | 8/2017 | Hyneccek | G04B 37/005 |

OTHER PUBLICATIONS

V-Spigen Tough Armor Apple Watch Case Customer Images | posted by Mikey Morales at amazon.com Jan. 2018 [online]. © 1996-2019, Amazon.com, Inc. [retrieved Jan. 30, 2019] from Internet: <<https://www.amazon.com/Spigen-Tough-Armor-Generation-Designed/dp/B075FJT3FK#CustomerImages>> (Year: 2018).*

W-Top 5 Spigen Apple Watch | posted by Cell Phones & Accessories at youtube.com Apr. 25, 2018 [online] [retrieved Jan. 23, 2019] from Internet: <<https://www.youtube.com/watch?v=DeAJxmCh8p8>> (Year: 2018).*

Jordan Kahn, “The best protective covers, cases, & bags for Apple Watch”, Published on Apr. 14, 2015, downloaded Dec. 23, 2019.

“Rugged Armor Designed for Apple Watch Case for 42mm Series 3/Series 2/1/Original (2015)—Black”, <https://www.amazon.com/dp/B00UVSNQPM>, earliest review date Apr. 30, 2015, downloaded on Jan. 15, 2019.

“Spigen Tough Armor Designed for Apple Watch Case and Built in Screen Protector for 42mm (2015)—Gunmetal”, <https://www.amazon.com/dp/B00UVSOWBY>, earliest review date May 7, 2015, downloaded on Jan. 15, 2019.

Mitchel Broussard, “Third-Party Apple Watch Cases Provide Options for Improved Protection”, Published on May 12, 2015, downloaded Dec. 23, 2019.

Mitchel Broussard, “The Bumper’ Review: Apple Watch Case Offers Ample Protection but Some Bulk”, Published on Aug. 19, 2015, downloaded Dec. 23, 2019.

Dave Greenbaum, “Should You Get an Apple Watch Protector Case (and what kind?)”, Published on Sep. 2, 2015, downloaded Dec. 23, 2019.

“[6 Color Pack] Fintie for Apple Watch Case 42mm, Slim Lightweight Polycarbonate Hard Protective Bumper Cover for All Versions 42mm iWatch Series 3 (2017), Series 2 1 Sport & Edition—Multi Color A”, <https://www.amazon.com/dp/B014H9WMHS>, earliest review date Sep. 9, 2015, downloaded on Dec. 23, 2019.

Michael Frank, “The 4 Best Rugged Cases for the Apple Watch”, Published on Dec. 16, 2015, downloaded Dec. 23, 2019.

Tucker Archer, “Top 5 Best Apple Watch Cases”, Published on Mar. 21, 2016, downloaded Dec. 23, 2019.

“Simpeak Rugged Protective Case with Black Strap Bands Compatible with Apple Watch Series 3 Series 2 42mm, Grey”, <https://www.amazon.com/dp/B01IBJKOTC>, earliest review date Sep. 6, 2016, downloaded on Dec. 23, 2019.

“Spigen Tough Armor Designed for Apple Watch Case for 42mm Series 3 / Series 2/1 / Original (2015) / Nike+ Sport Edition and Built in Screen Protector—Gunmetal”, <https://www.amazon.com/Spigen-Designed-Original-Screen-Protector/dp/B01N74P26H>, earliest review date Jan. 4, 2017, downloaded on Jan. 15, 2019.

Daniel Rasmus, “Hard on Your Apple Watch? Check Out These 3 Best Watch Cases”, Published on Mar. 31, 2017, downloaded on Dec. 23, 2019.

“Compatible Apple Watch Band 38mm Case,Camyse Shockproof Rugged Protective Cover Strap Bands Stainless Steel Clasp iWatch Apple Watch Series 3, 2, 1, Sport & Edition Men Women Grils Boys—Blue”, <https://www.amazon.com/dp/B071LQQ94L>, earliest review date Aug. 18, 2017, downloaded on Dec. 23, 2019.

“Wolait Compatible with Apple Watch 3 Screen Protector Case 42mm, Clear Soft TPU Case with Built-in Screen Protector for iWatch 42mm Series 3 Series 2 Series 1[2pack]”, <https://www.amazon.com/Wolait-Compatible-Screen-Protector-Built/dp/B073QG86T6>, earliest review date Sep. 21, 2017, downloaded on Dec. 23, 2019.

“Julk Series 3 42mm Case for Apple Watch Screen Protector, iWatch Overall Protective Case TPU HD Clear Ultra-Thin Cover for Apple Watch Series 3 (42mm)(2-Pack)”, <https://www.amazon.com/Julk-Protector-Overall-Protective-Ultra-Thin/dp/B075WMWQM3> 1/, earliest review date Oct. 11, 2017, downloaded on Dec. 23, 2019.

“Apple Watch Band 42mm, Ocyclone Apple Watch Series 3 42mm Band iWatch 3/2/1 Sport Protective Bumper Case Strap Replacement for Active Style Men and Women”, <https://www.amazon.com/dp/B07587GYXD/>, earliest review date Oct. 18, 2017, downloaded on Dec. 23, 2019.

“top4cus Environmental Soft Flexible TPU Anti-Scratch Lightweight Protective 38mm Iwatch Case Compatible Apple Watch Series 5 Series 4 Series 3 Series 2 Series 1—Black”, <https://www.amazon.com/dp/B075WQMLXR>, earliest review date Nov. 3, 2017, downloaded on Dec. 23, 2019.

“Supcase [Unicorn Beetle Pro] Case for Apple Watch 3, Rugged Protective Case with Strap Bands for Apple Watch Series 3 2017 Edition [42mm, Compatible with Apple Watch 42mm 2015 2016] (Black)”, <https://www.amazon.com/SUPCASE-Unicorn-Beetle-Protective-Compatible/dp/B077D118JY>, earliest review date Nov. 21, 2017 downloaded on Dec. 23, 2019.

“Smiling Clear Case for Apple Watch 42mm with Buit in TPU Screen Protector All-Around Protective Case High Defination Clear

(56)

References Cited

OTHER PUBLICATIONS

Ultra-Thin Cover for Apple Watch 42mm Series 3 and Series 2(2 Pack)", [https://www.amazon.com/ Smiling-All-Around-Protective-Defination-Ultra-Thin/dp/B0772H3XBG](https://www.amazon.com/Smiling-All-Around-Protective-Defination-Ultra-Thin/dp/B0772H3XBG), earliest review date Dec. 8, 2017, downloaded on Dec. 23, 2019.

* cited by examiner

FIG. 1

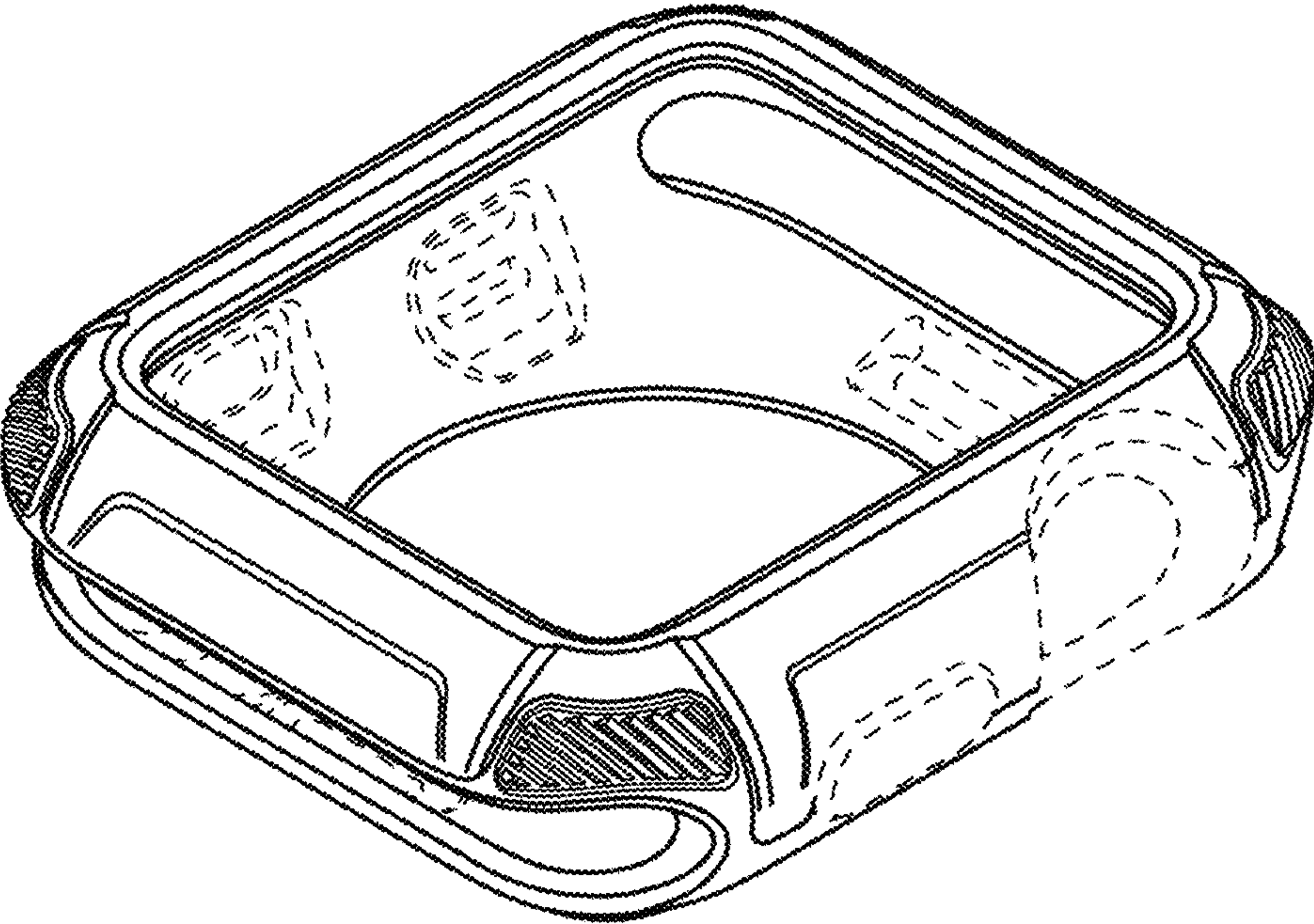


FIG. 2

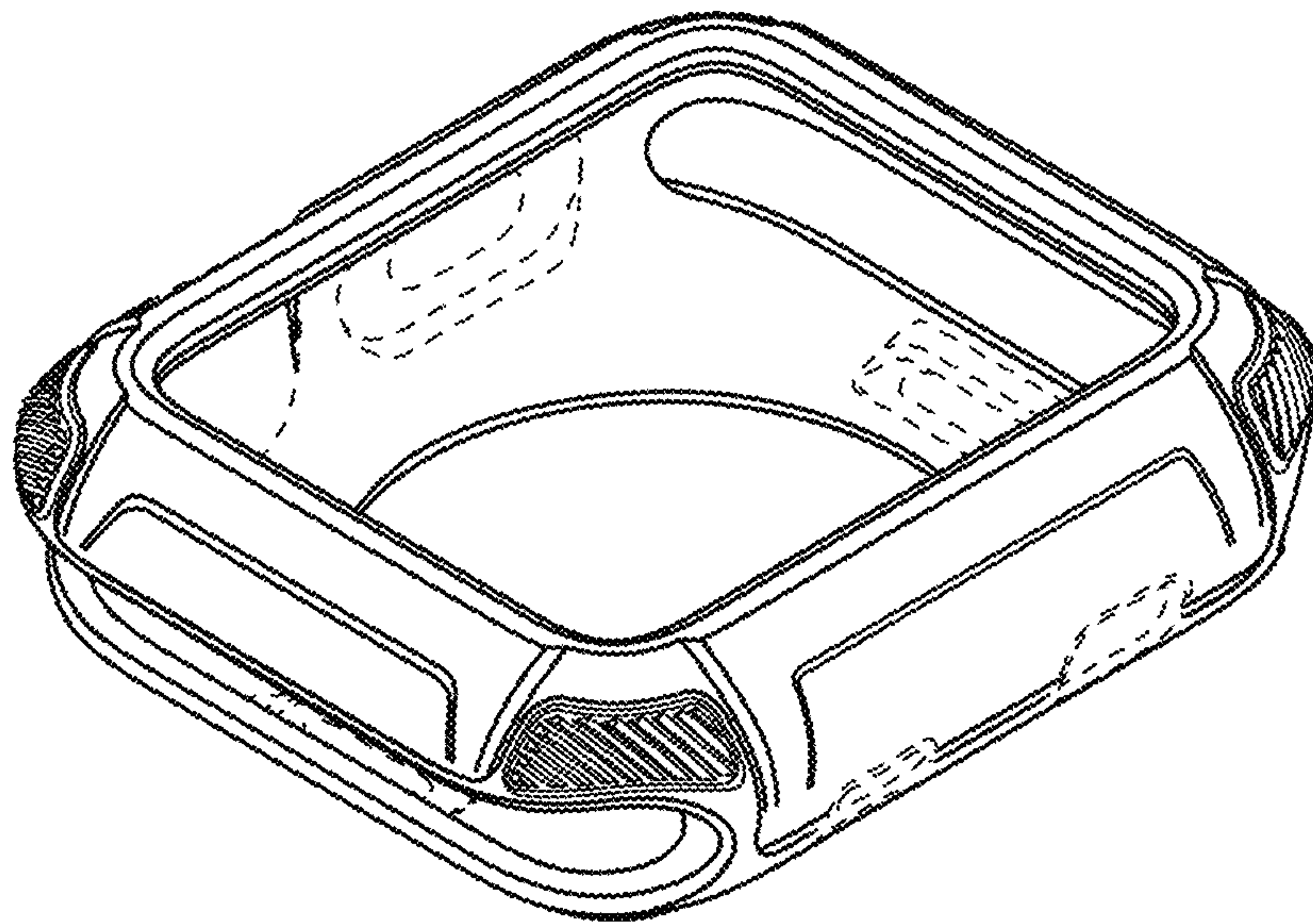


FIG. 3

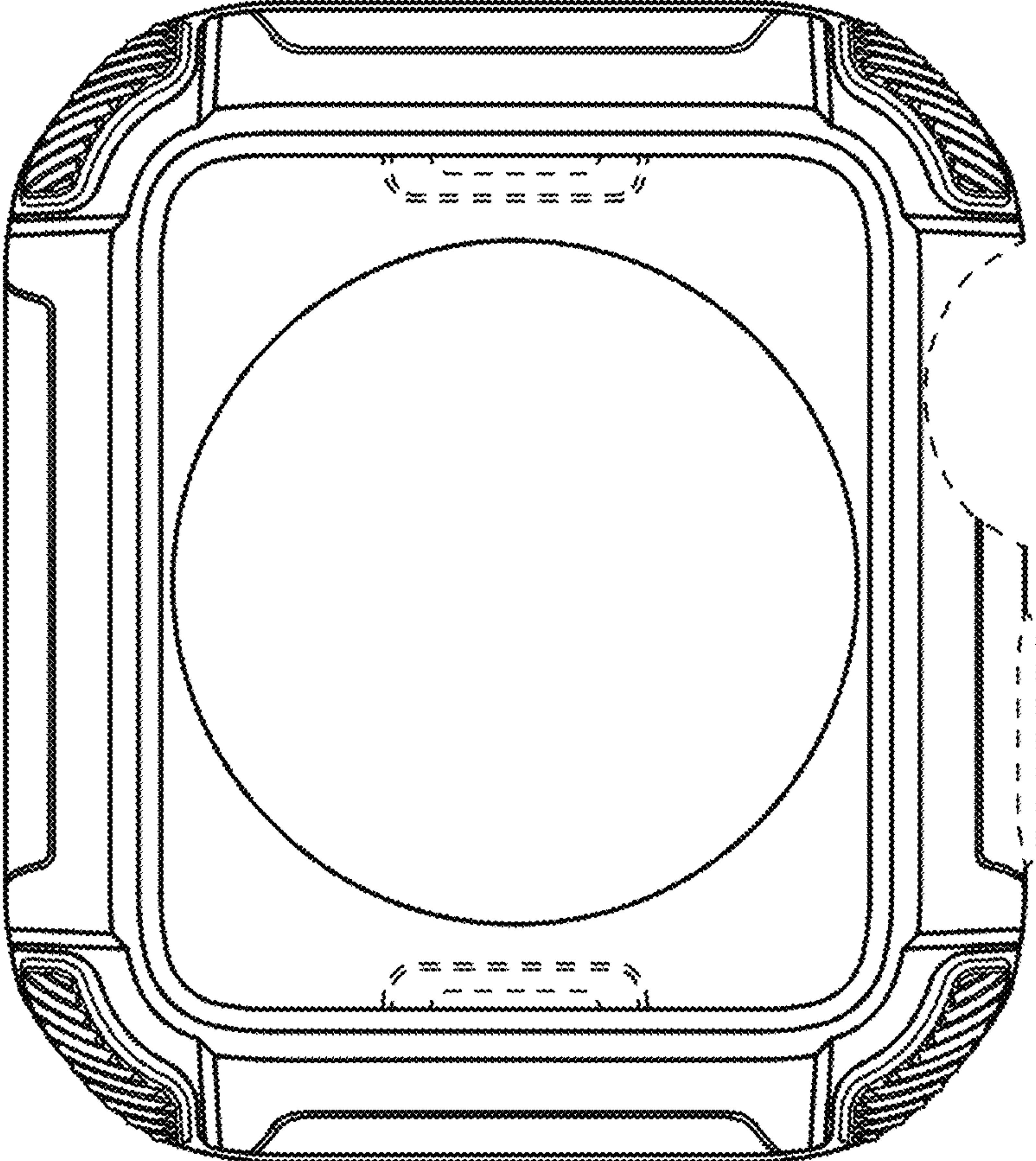


FIG. 4

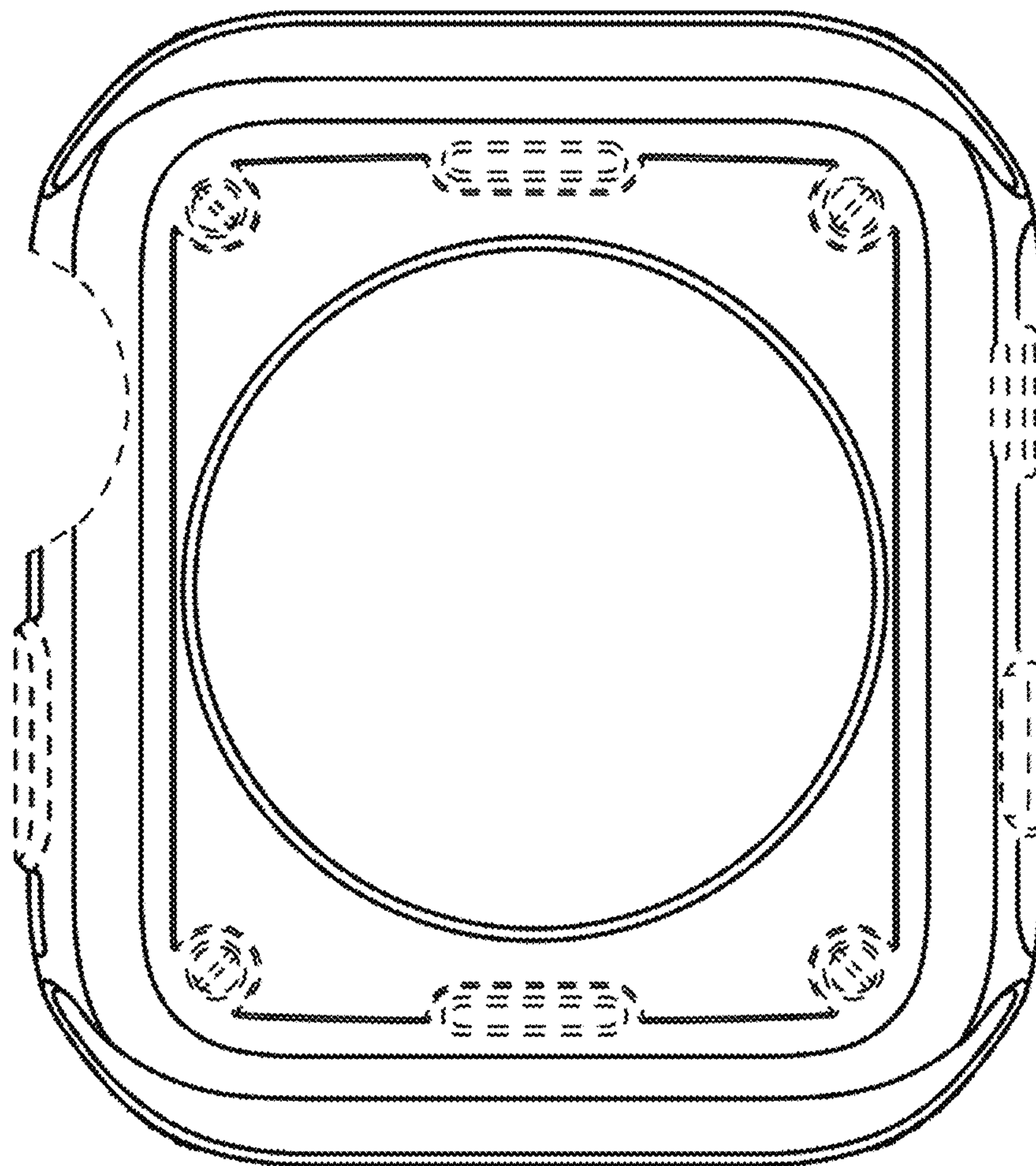


FIG. 5

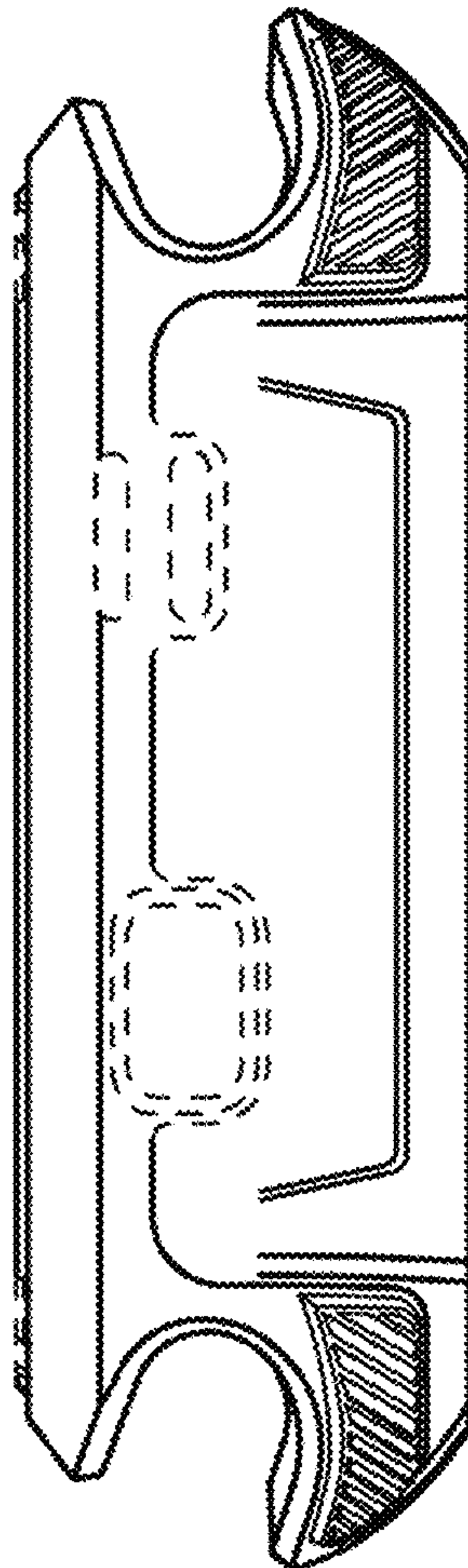


FIG. 6

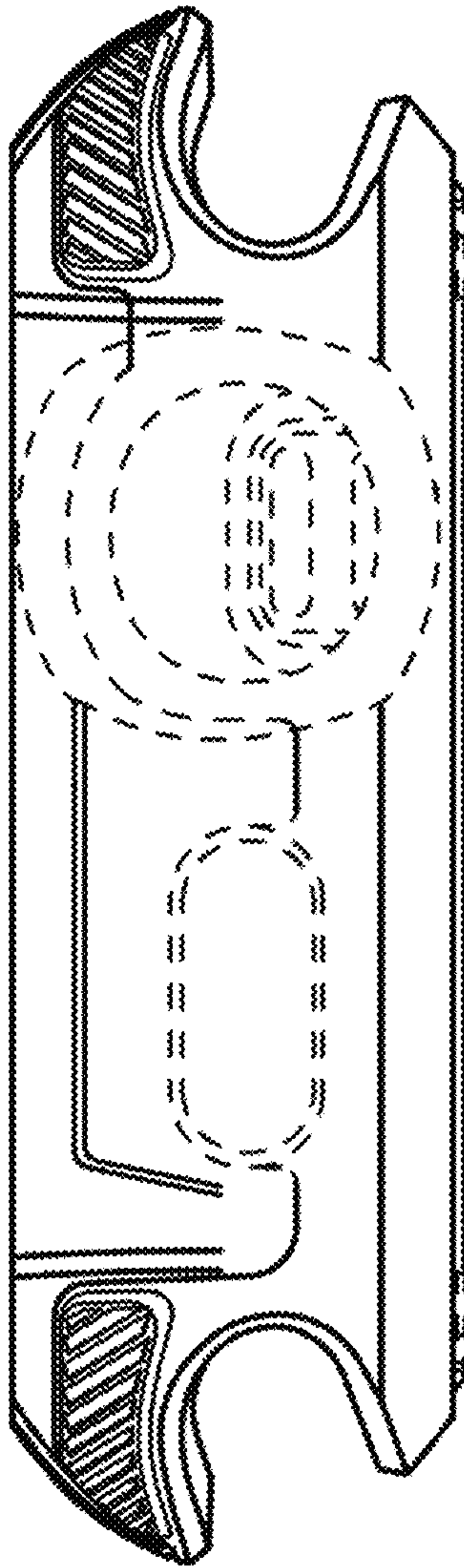


FIG. 7

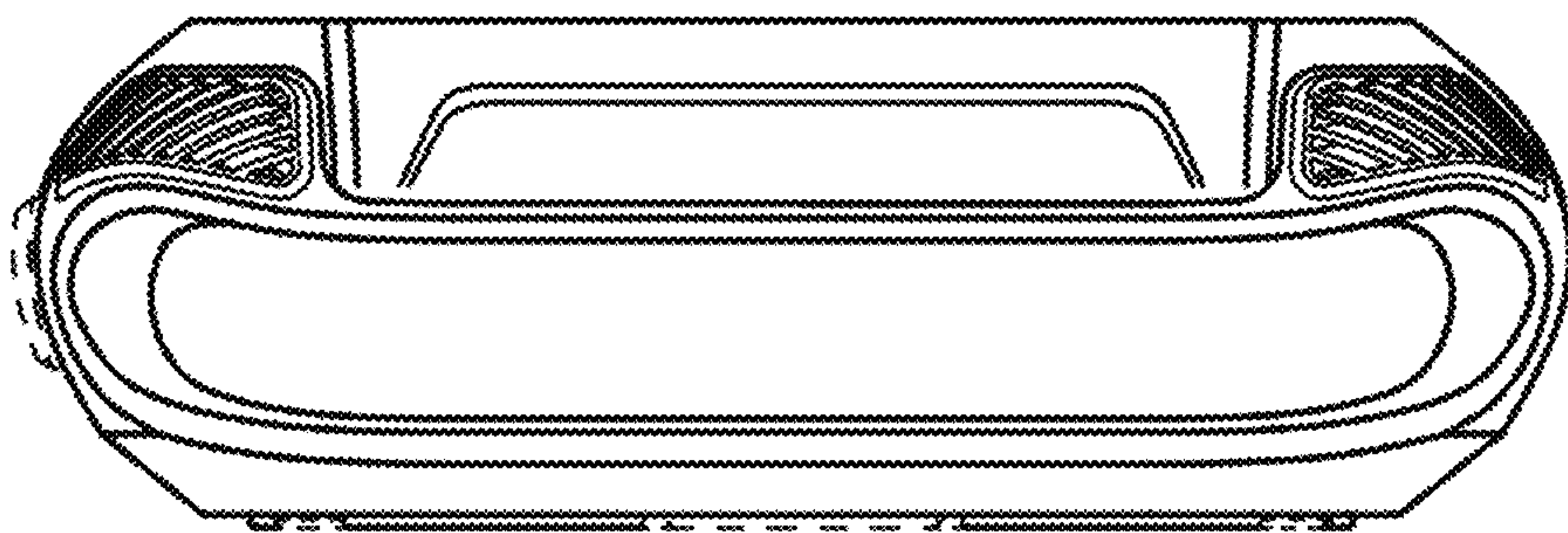


FIG. 8

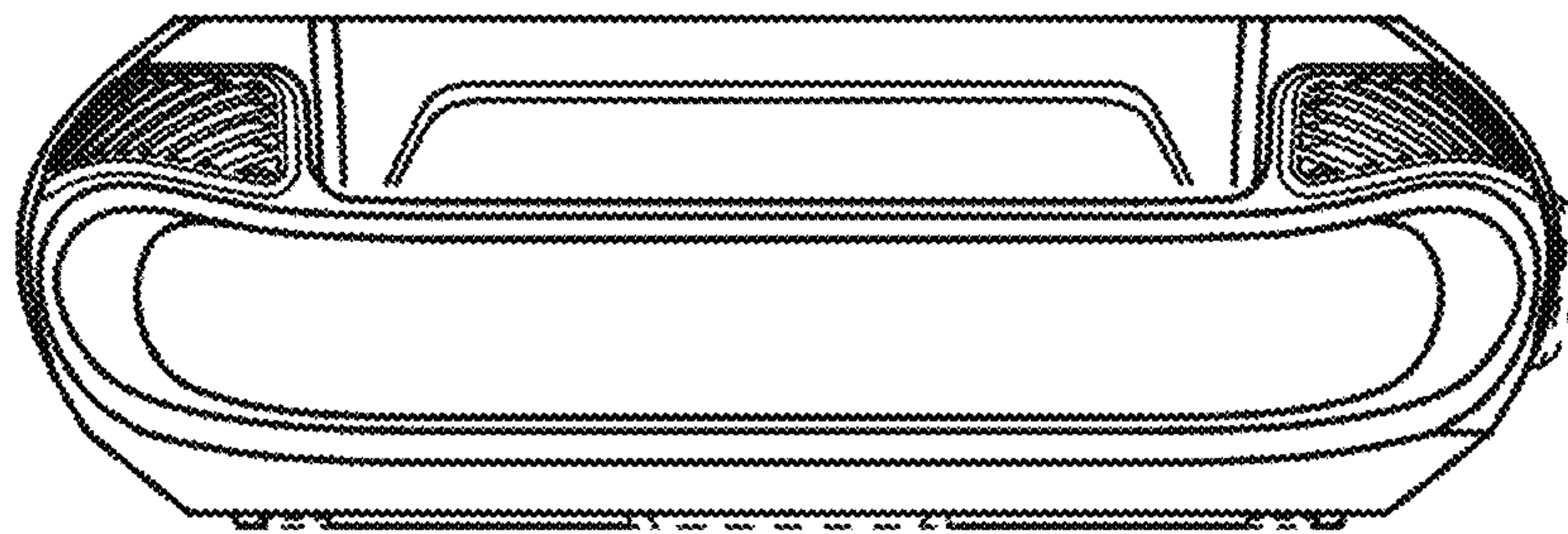


FIG. 9

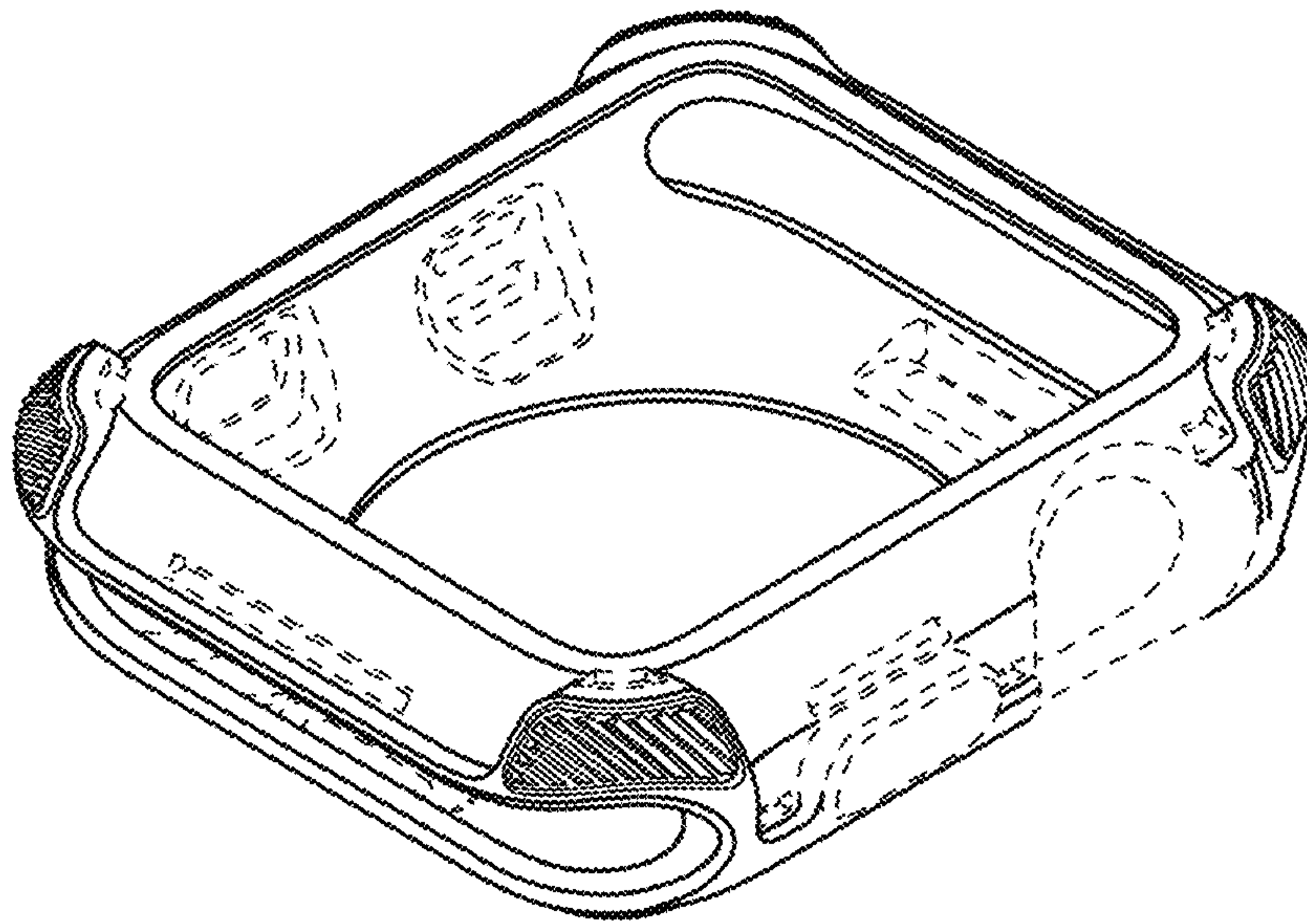


FIG. 10

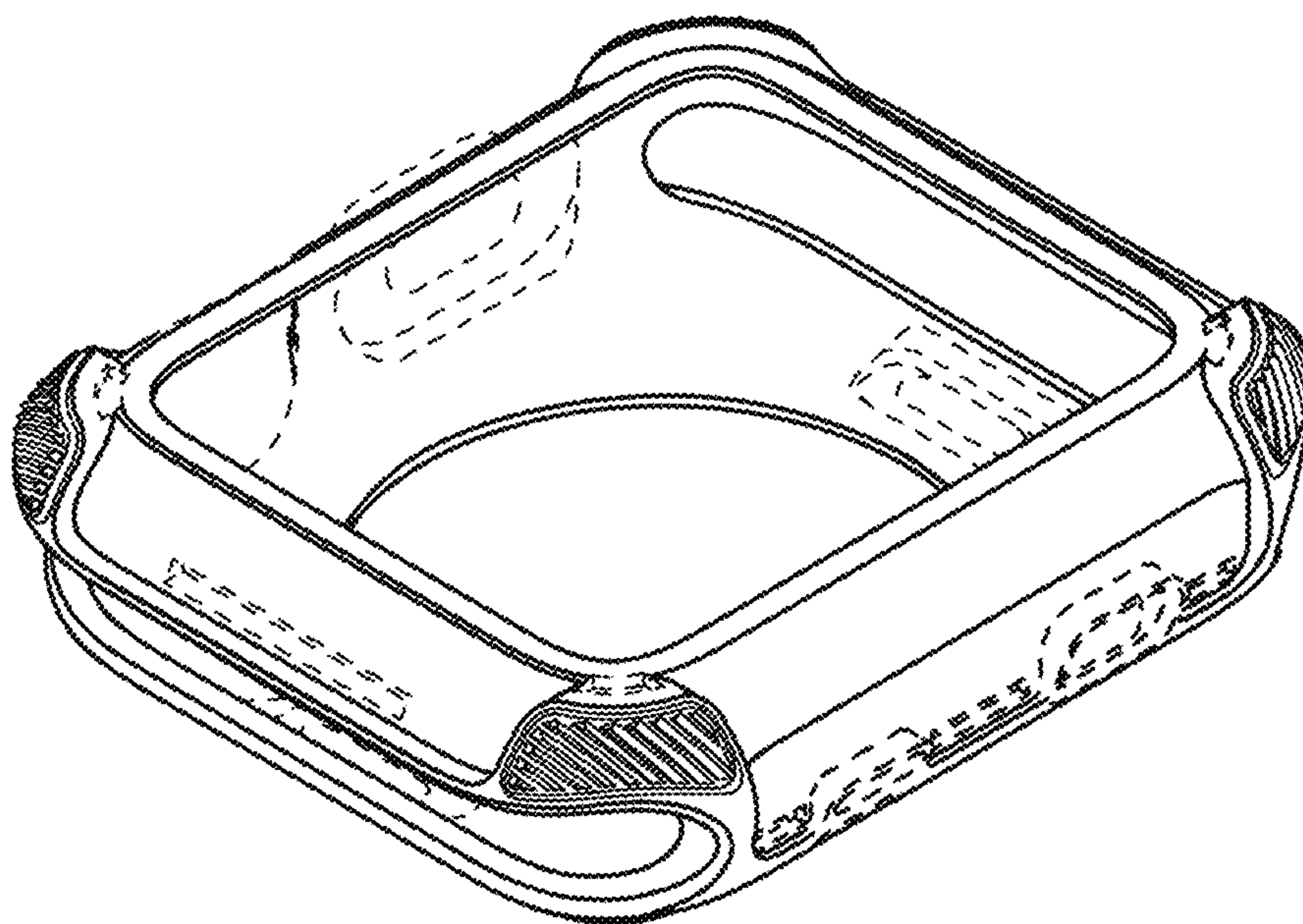


FIG. 11

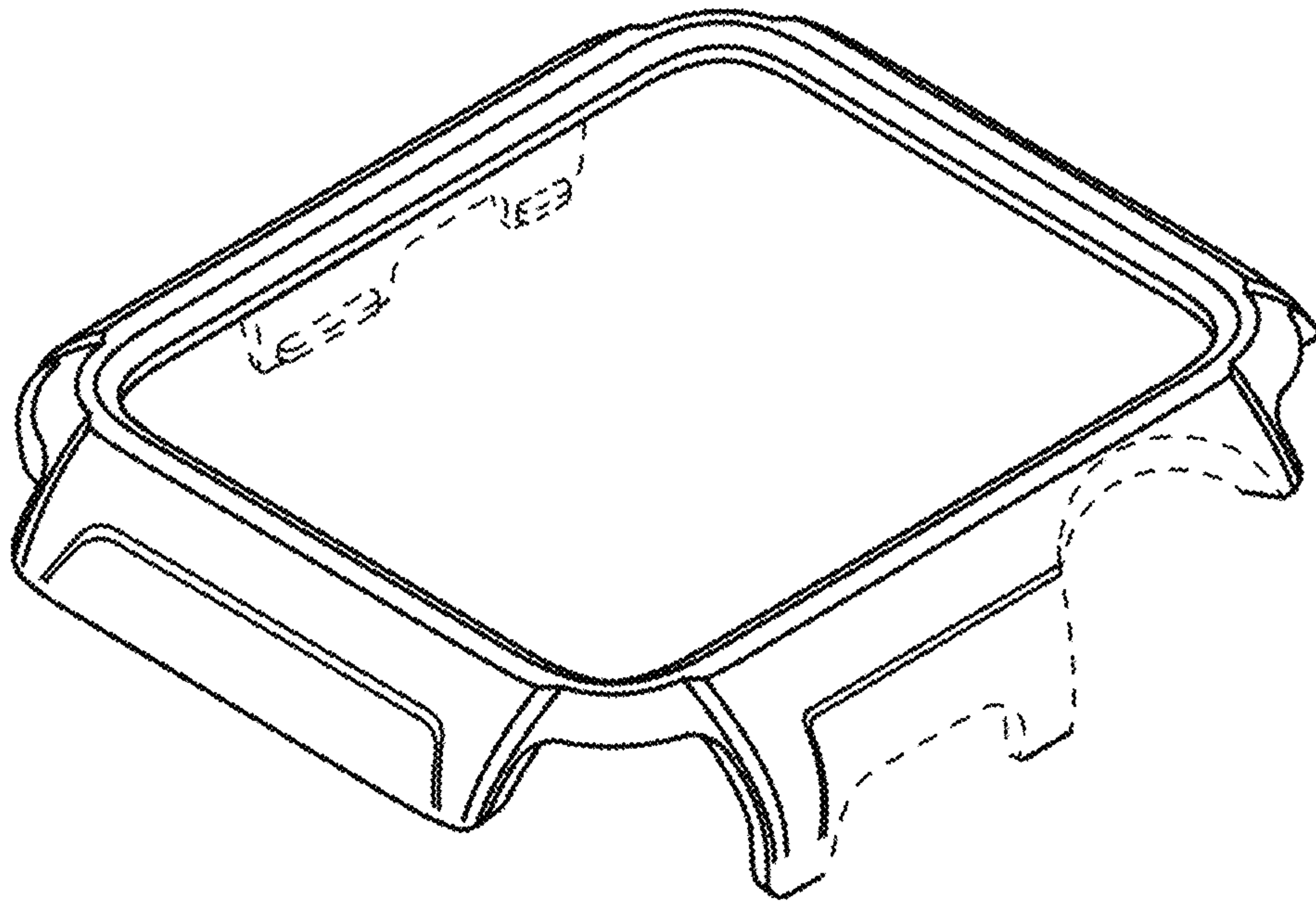


FIG. 12

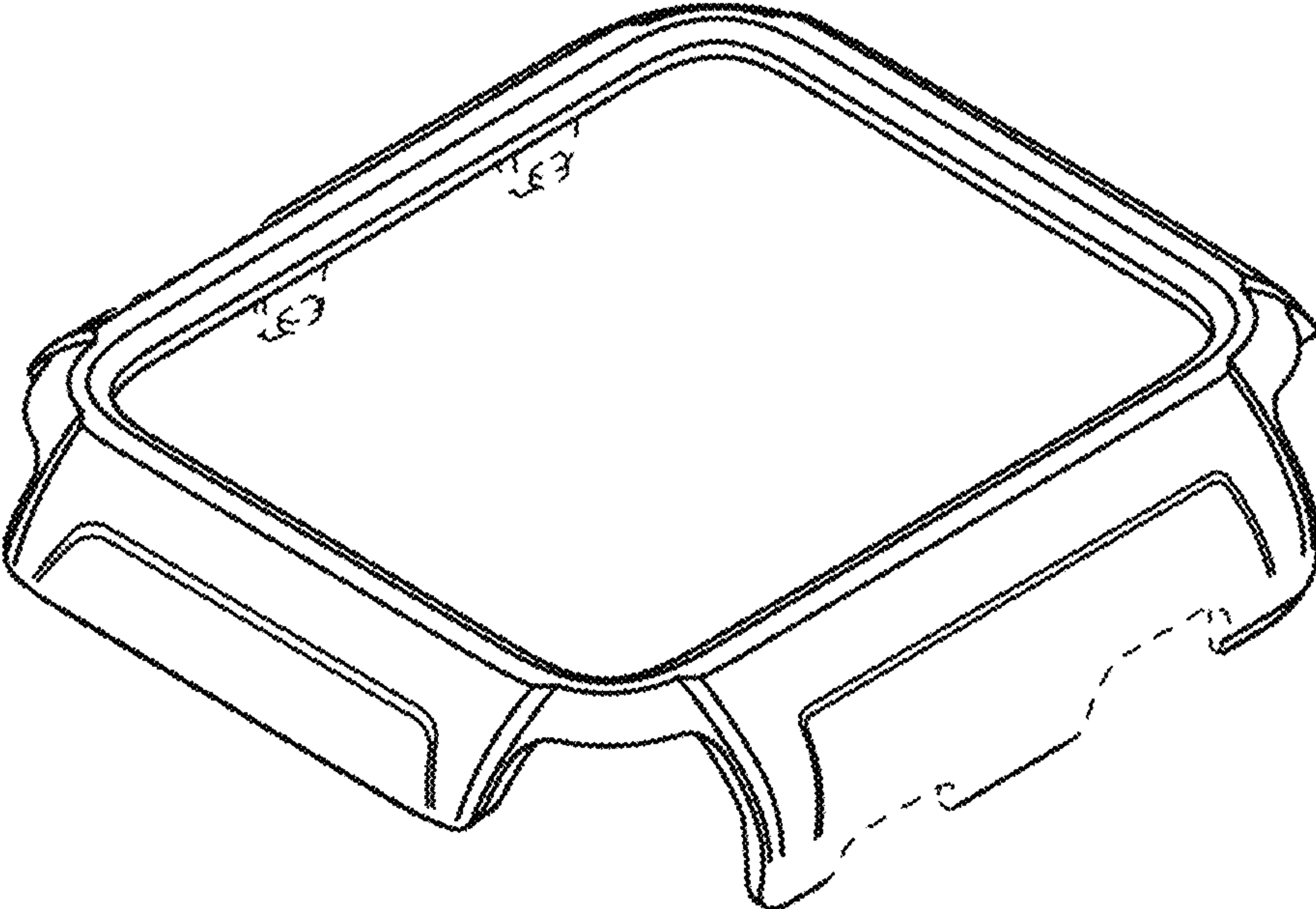


FIG. 13

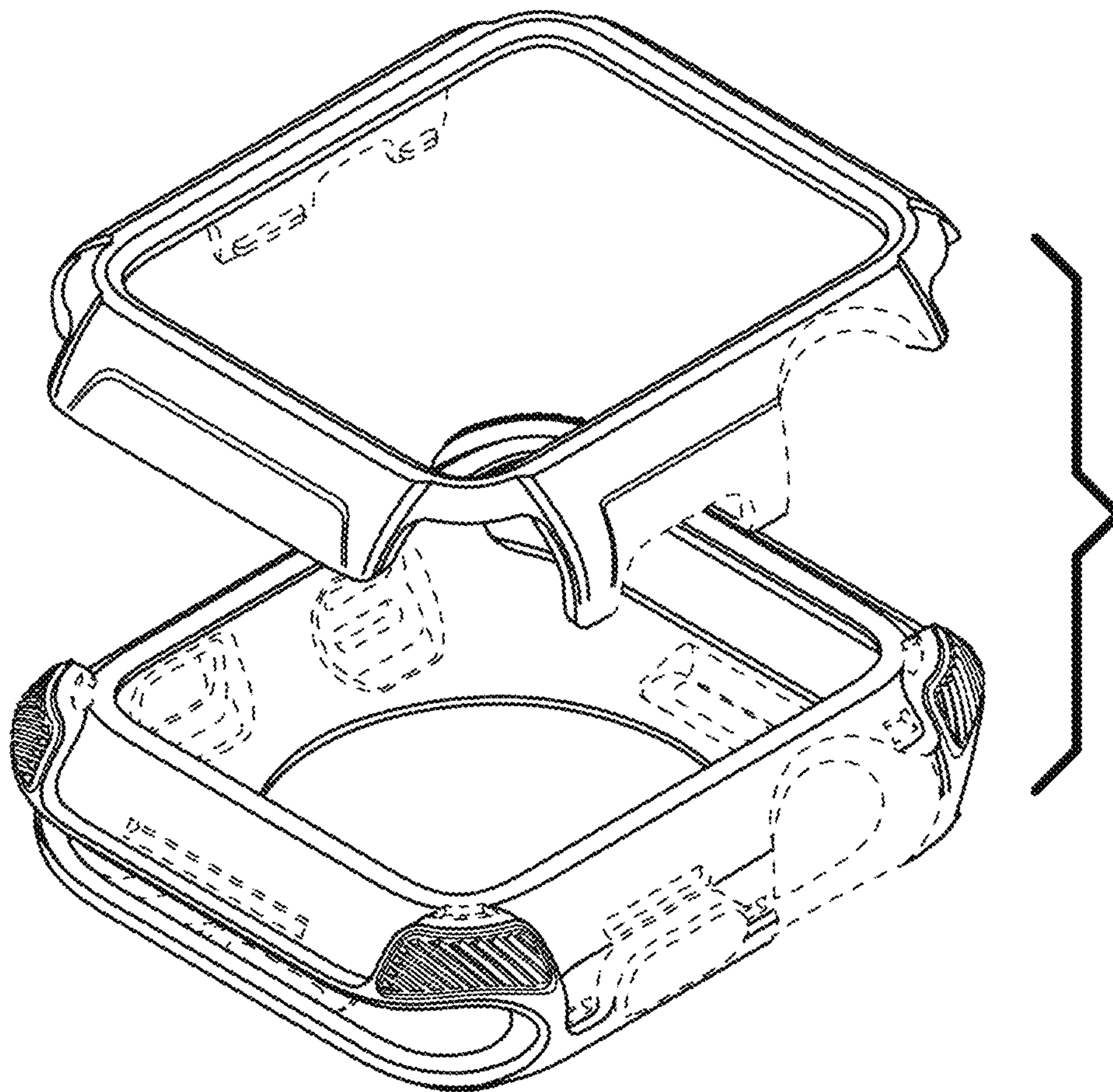


FIG. 14

