



US00D888706S

(12) **United States Design Patent** (10) **Patent No.:** **US D888,706 S**
Novick (45) **Date of Patent:** **** Jun. 30, 2020**

(54) **INTERNET ACCESS PORTAL**
(71) Applicant: **TCC Teleplex LLC**, New York, NY (US)
(72) Inventor: **Dennis J. Novick**, New York, NY (US)
(73) Assignee: **TCC TELEPLEX LLC**, New York, NY (US)

D734,315 S * 7/2015 Masuda D14/307
9,451,060 B1 9/2016 Bowers et al.
D774,029 S * 12/2016 Kim D14/307
D782,467 S * 3/2017 Bladwell D14/307
D788,098 S * 5/2017 Thornton D14/307
D795,242 S * 8/2017 Birgeoglu D14/307
D816,078 S * 4/2018 Horn D14/307
D836,099 S * 12/2018 Vaananen D14/307
D848,414 S * 5/2019 Gardens D14/307
D864,947 S * 10/2019 van de Poll D14/307

(**) Term: **15 Years**
(21) Appl. No.: **29/678,141**
(22) Filed: **Jan. 25, 2019**
(51) **LOC (12) Cl.** **14-02**
(52) **U.S. Cl.**
USPC **D14/307**
(58) **Field of Classification Search**
USPC D14/302-307, 900-902; D13/163;
D20/10; D21/332, 325, 369, 370;
D99/28; D6/397, 466; 194/206;
361/679.01, 679.02, 679.04, 679.21,
361/679.57, 725
CPC G06Q 20/18; G06Q 20/10; G06Q 20/123;
G06Q 20/20; G06Q 30/02; G06Q 30/06;
A47F 9/047
See application file for complete search history.

OTHER PUBLICATIONS

LinkNYC, "Free Super Fast Wi-Fi. and That's Just The Beginning";
2019 CityBridge, pp. 1-4.

* cited by examiner

Primary Examiner — Austin Murphy
(74) *Attorney, Agent, or Firm* — Thompson Hine LLP

(57) **CLAIM**

The ornamental design for an internet access portal, as shown and described.

DESCRIPTION

FIG. 1 is a perspective view of the design;
FIG. 2 is a side view of a first side of the design of FIG. 1;
FIG. 3 is a side view of a second side of the design of FIG. 1;
FIG. 4 is a front view of the design of FIG. 1;
FIG. 5 is a rear view of the design of FIG. 1; and,
FIG. 6 is top view of the design of FIG. 1.
In the drawings, the broken lines depict environmental subject matter only and form no part of the claimed design.

1 Claim, 6 Drawing Sheets

(56) **References Cited**
U.S. PATENT DOCUMENTS
D628,742 S * 12/2010 Hsu D14/307
D639,800 S * 6/2011 Magruder D14/307
D705,213 S * 5/2014 Smith D14/307

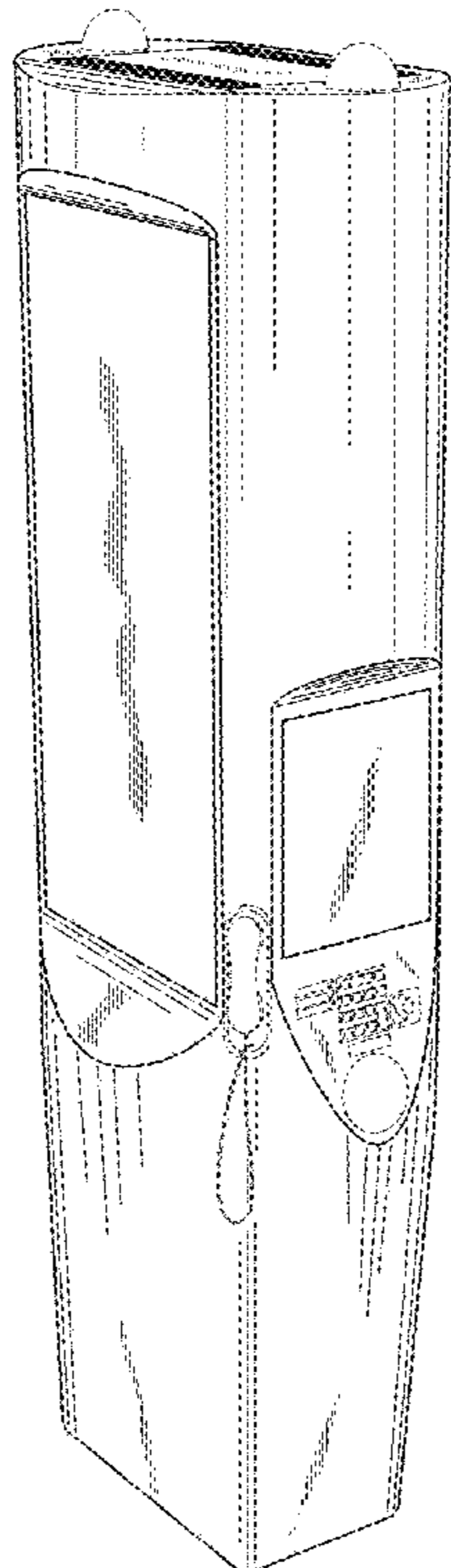
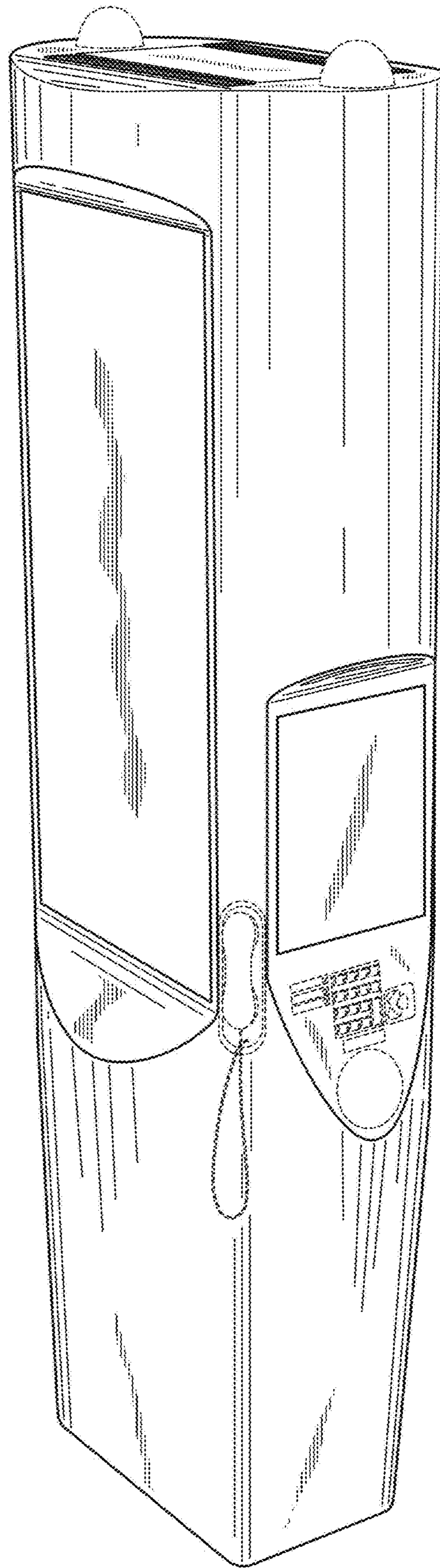


FIG. 1



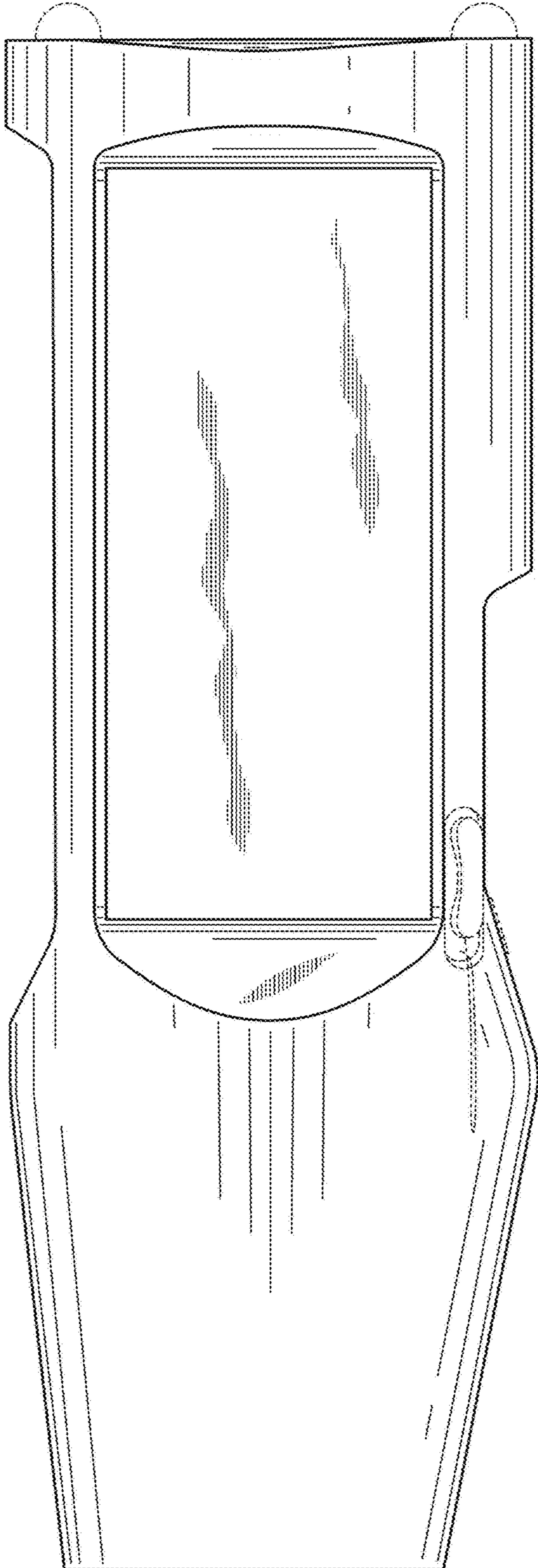


FIG. 2

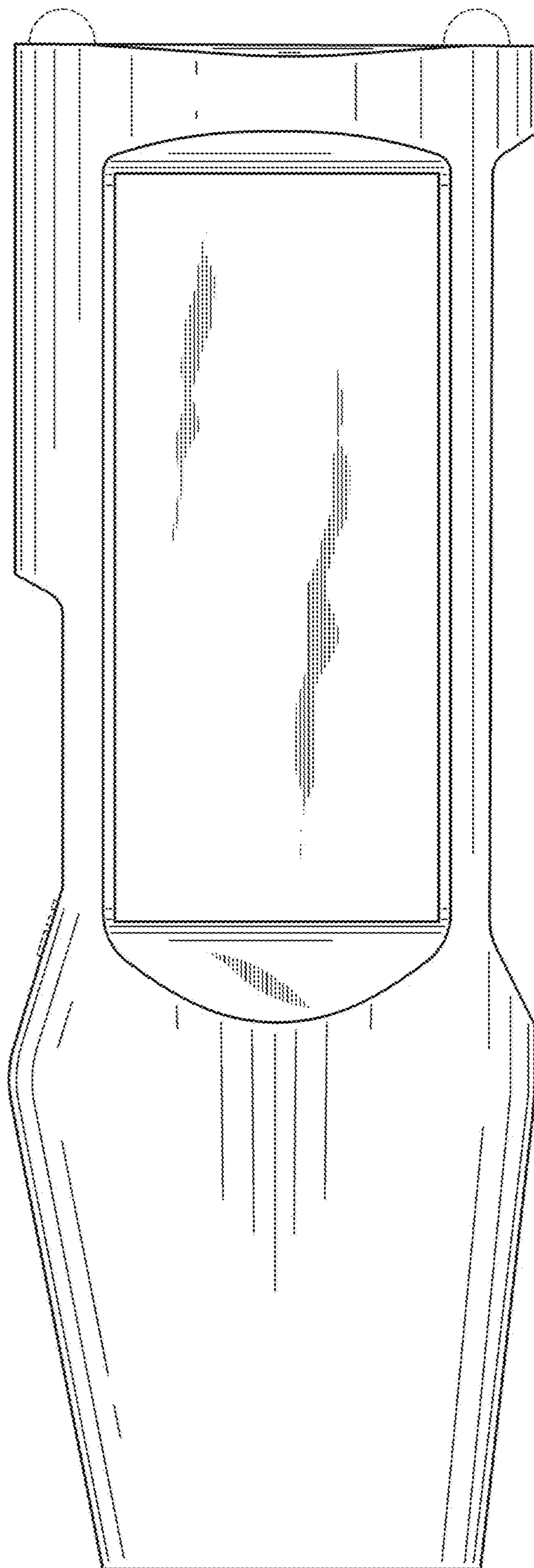
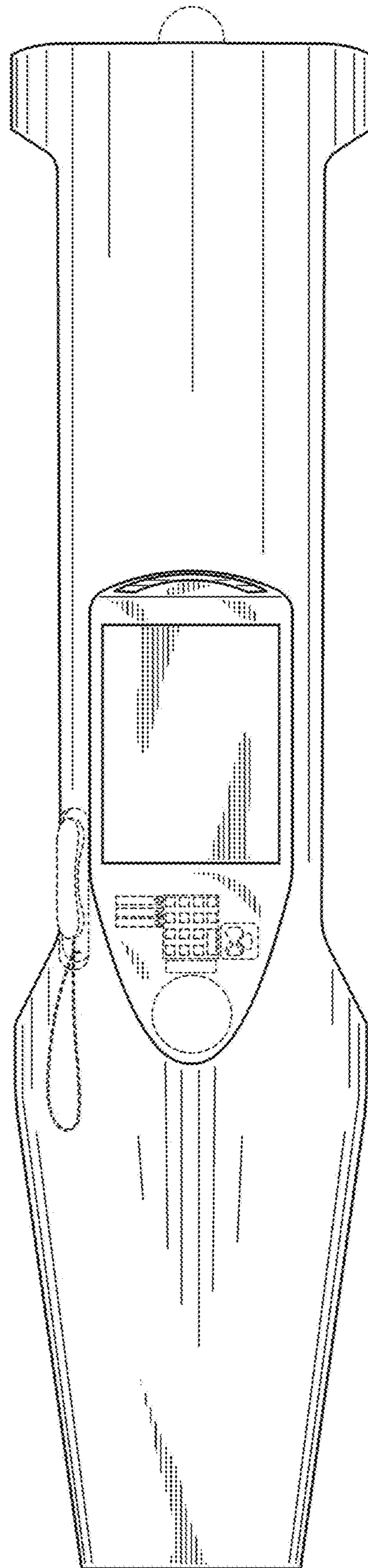


FIG. 3

FIG. 4



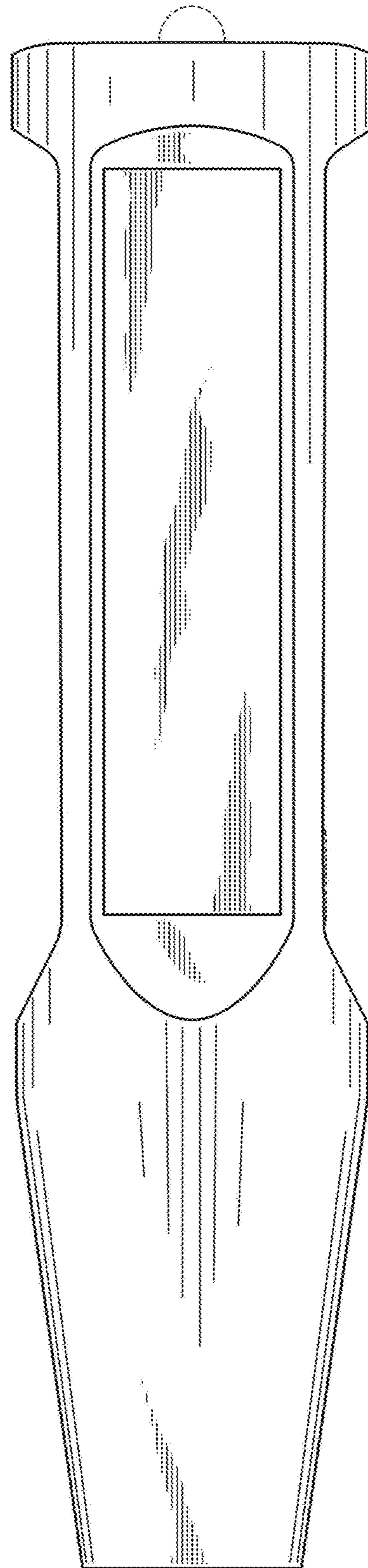


FIG. 5

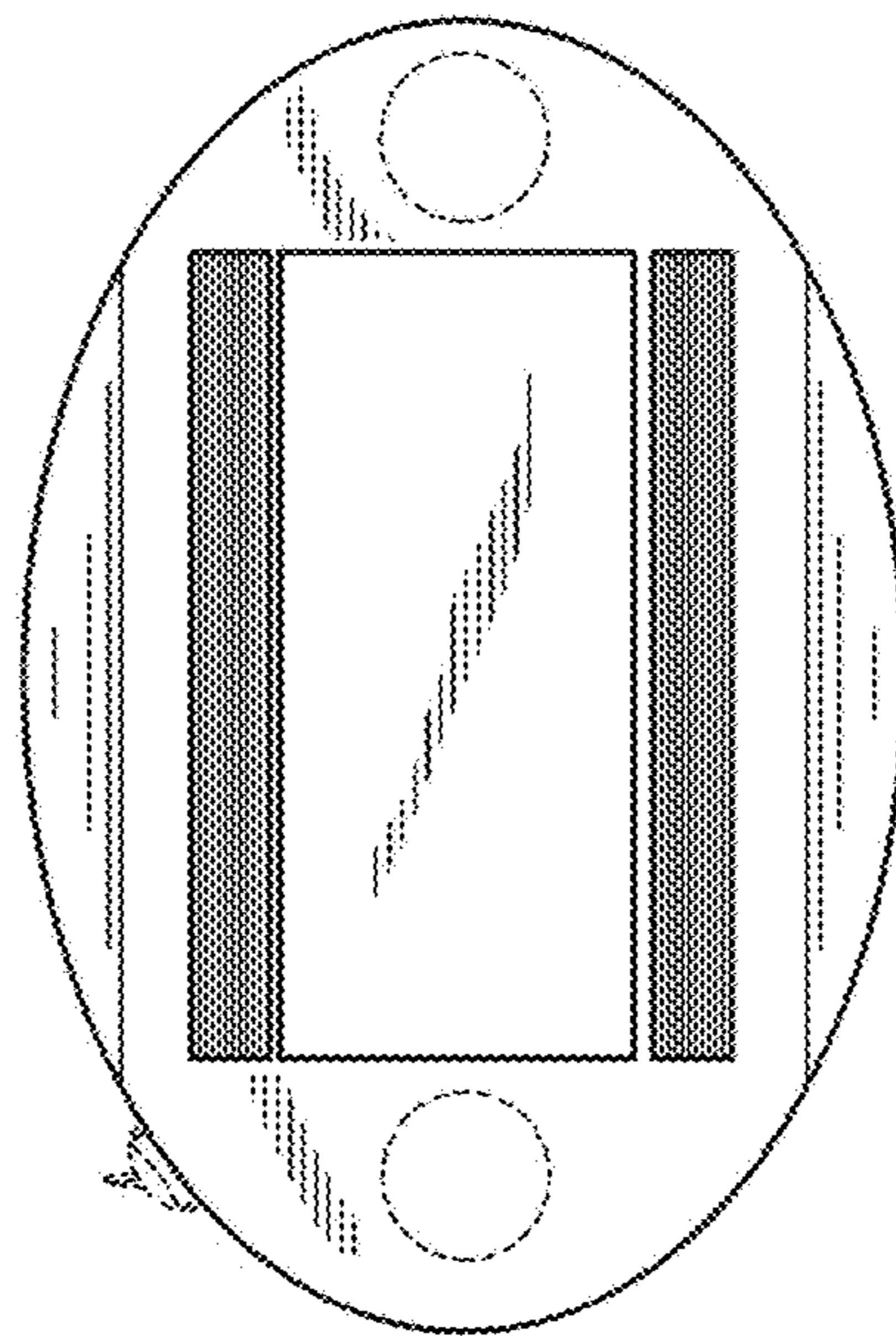


FIG. 6