



US00D888705S

(12) **United States Design Patent**  
**Saito et al.**

(10) **Patent No.:** **US D888,705 S**  
(45) **Date of Patent:** **\*\* Jun. 30, 2020**

(54) **HOUSING FOR AERIAL IMAGING APPARATUS**

(71) Applicant: **Sakai Display Products Corporation**, Sakai-shi, Osaka (JP)

(72) Inventors: **Yoshimasa Saito**, Sakai (JP); **Hideyuki Shirai**, Sakai (JP)

(73) Assignee: **SAKAI DISPLAY PRODUCTS CORPORATION**, Osaka (JP)

(\*\*) Term: **15 Years**

(21) Appl. No.: **29/674,199**

(22) Filed: **Dec. 20, 2018**

(30) **Foreign Application Priority Data**

Jul. 4, 2018 (JP) ..... 2018-014795

(51) **LOC (12) Cl.** ..... **14-02**

(52) **U.S. Cl.**  
USPC ..... **D14/307**

(58) **Field of Classification Search**  
USPC ..... D14/302-307, 900-902; D13/163;  
D20/10; D21/332, 325, 369, 370;  
D99/28; D6/397, 466; 194/206;  
361/679.01, 679.02, 679.04, 679.21,  
361/679.57, 725  
CPC ..... G06Q 20/18; G06Q 20/10; G06Q 20/123;  
G06Q 20/20; G06Q 30/02; G06Q 30/06;  
A47F 9/047  
See application file for complete search history.

(56) **References Cited**

**U.S. PATENT DOCUMENTS**

D782,466 S \* 3/2017 Yopez ..... D14/307  
D806,698 S \* 1/2018 Thompson ..... D14/307

D816,077 S \* 4/2018 Benic ..... D14/307  
D831,639 S \* 10/2018 Terry ..... D14/307  
D857,007 S \* 8/2019 Pitallano ..... D14/307  
D864,193 S \* 10/2019 Oosawa ..... D14/307  
D877,105 S \* 3/2020 Saito ..... D14/126  
D879,059 S \* 3/2020 Saito ..... D14/126

**OTHER PUBLICATIONS**

Saito et al., "Housing for Aerial Imaging Apparatus," U.S. Appl. No. 29/654,115, filed Jun. 21, 2018.  
Saito et al., "Housing for Aerial Imaging Apparatus," U.S. Appl. No. 29/654,116, filed Jun. 21, 2018.  
Saito et al., "Housin for Aerial Imaging Apparatus," U.S. Appl. No. 29/674,198, filed Dec. 20, 2018.

\* cited by examiner

*Primary Examiner* — Austin Murphy

(74) *Attorney, Agent, or Firm* — Keating & Bennett, LLP

(57) **CLAIM**

The ornamental design for a housing for aerial imaging apparatus, as shown and described.

**DESCRIPTION**

FIG. 1 is a perspective view of a housing for aerial imaging apparatus showing our new design;  
FIG. 2 is a front view thereof;  
FIG. 3 is a rear view thereof;  
FIG. 4 is a right side view thereof, opposite left side view being mirror image thereof;  
FIG. 5 is a top view thereof; and,  
FIG. 6 is a bottom view thereof.  
In FIGS. 1-6, the broken lines shown in the drawings are for illustrative purposes only and form no part of the claimed design.

**1 Claim, 6 Drawing Sheets**

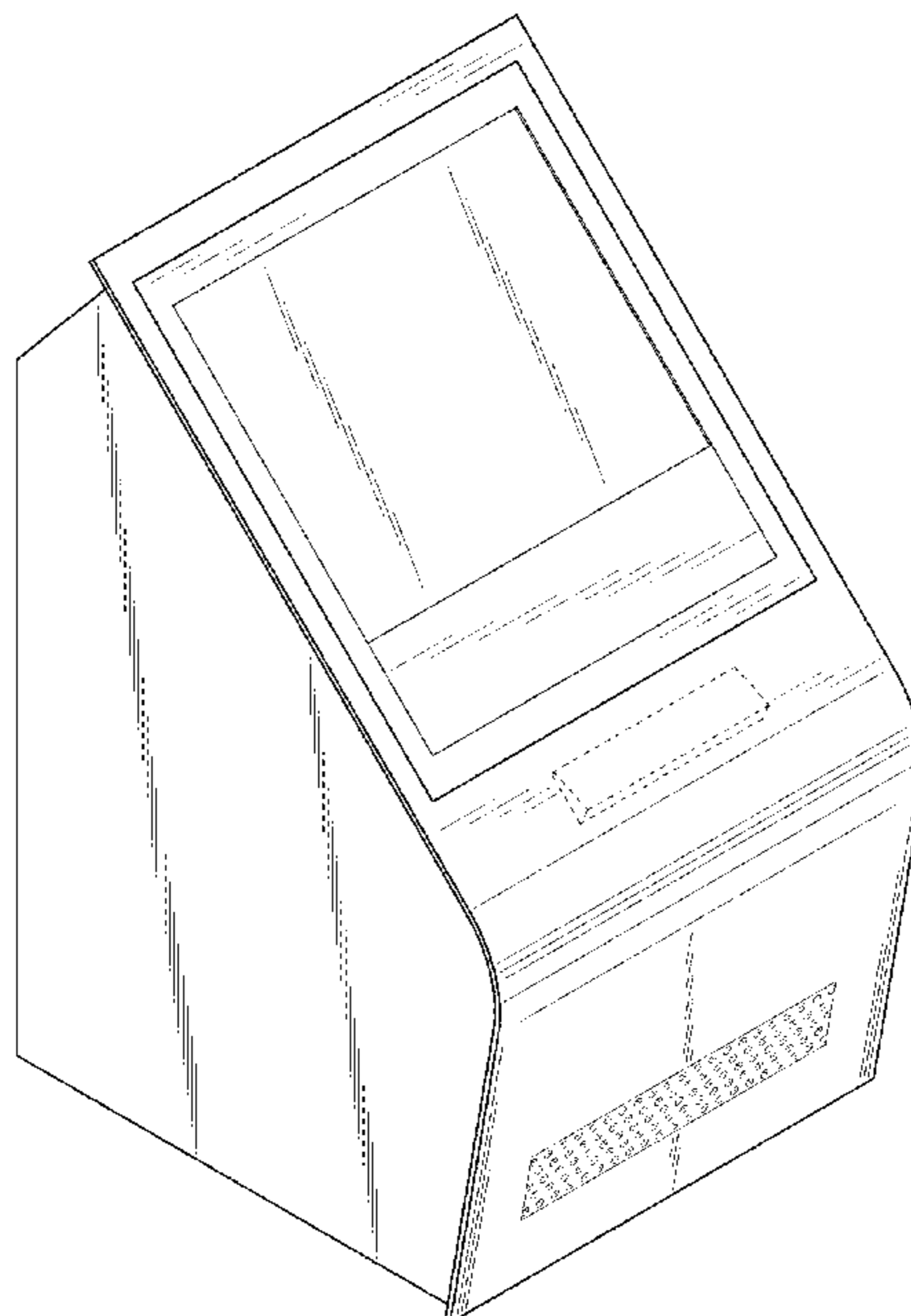


Fig. 1

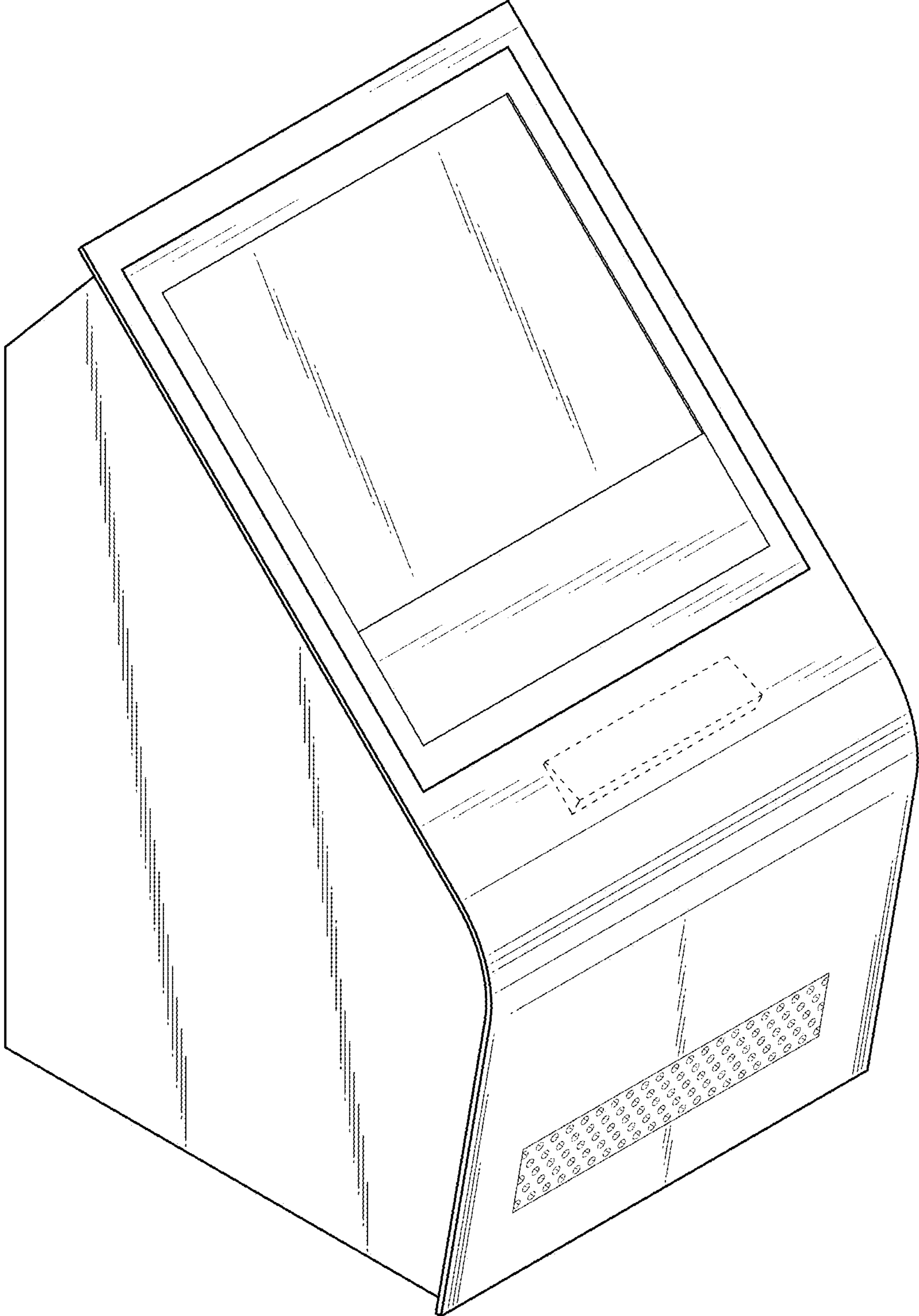


Fig. 2

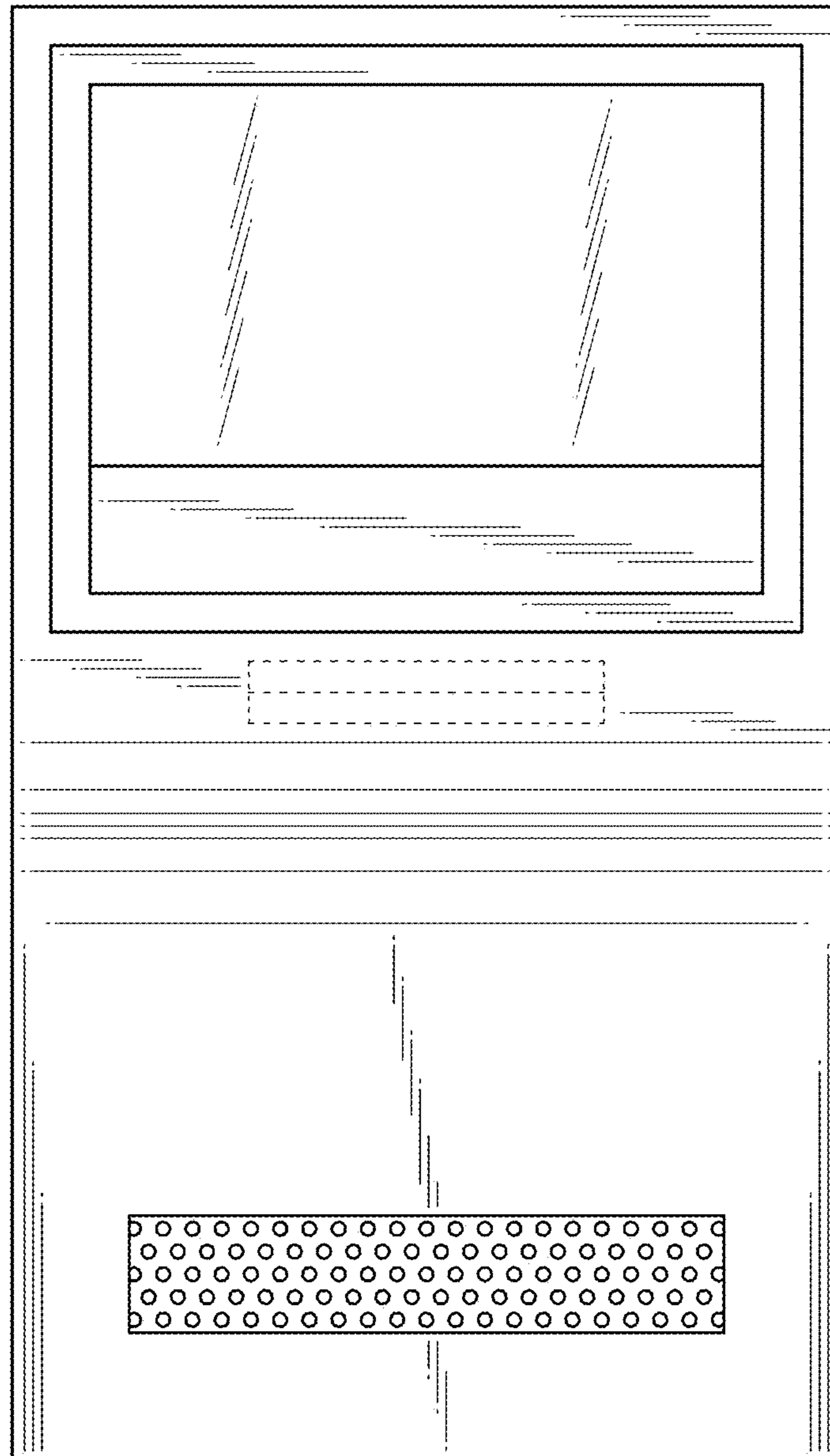


Fig. 3

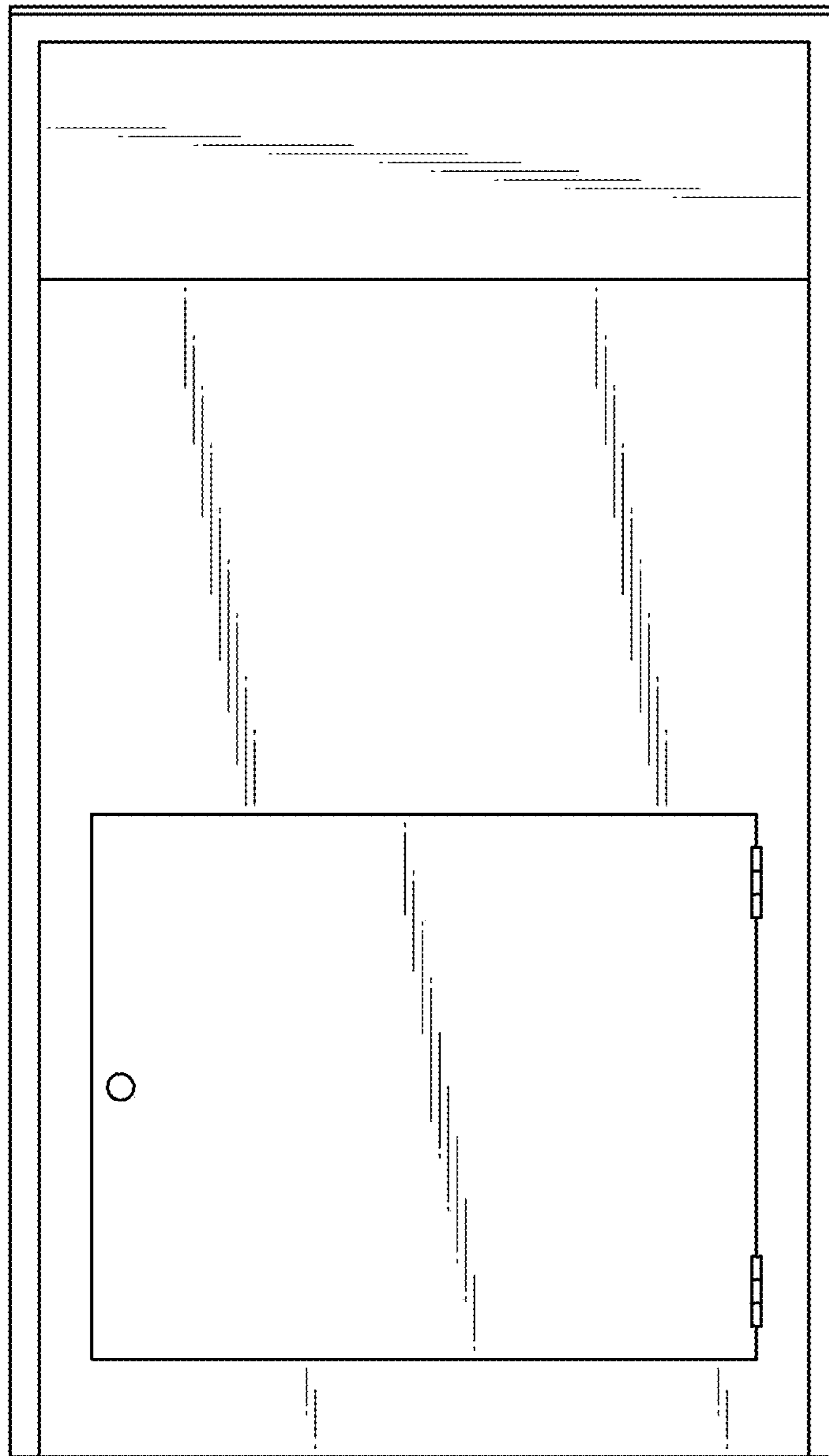


Fig. 4

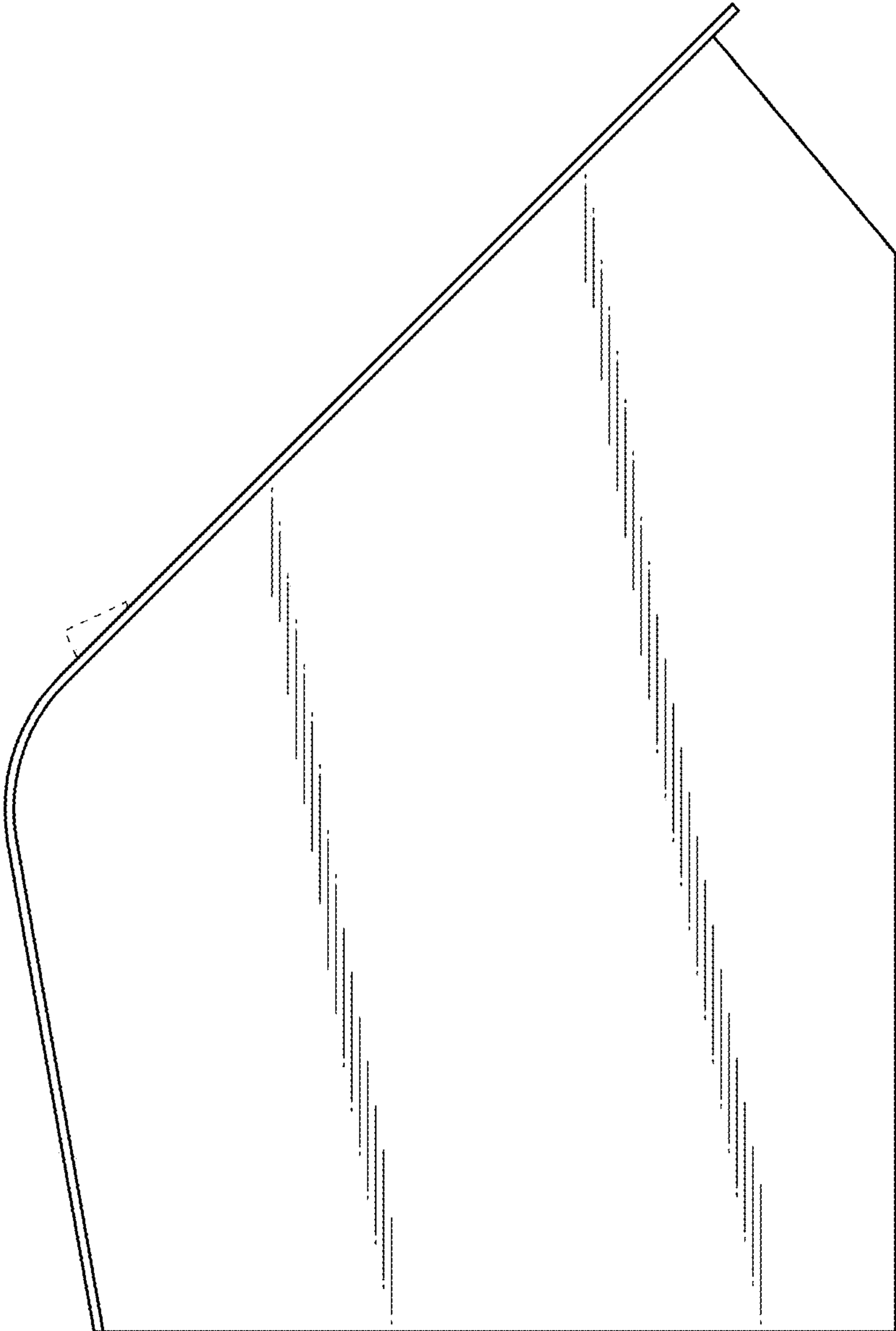


Fig. 5

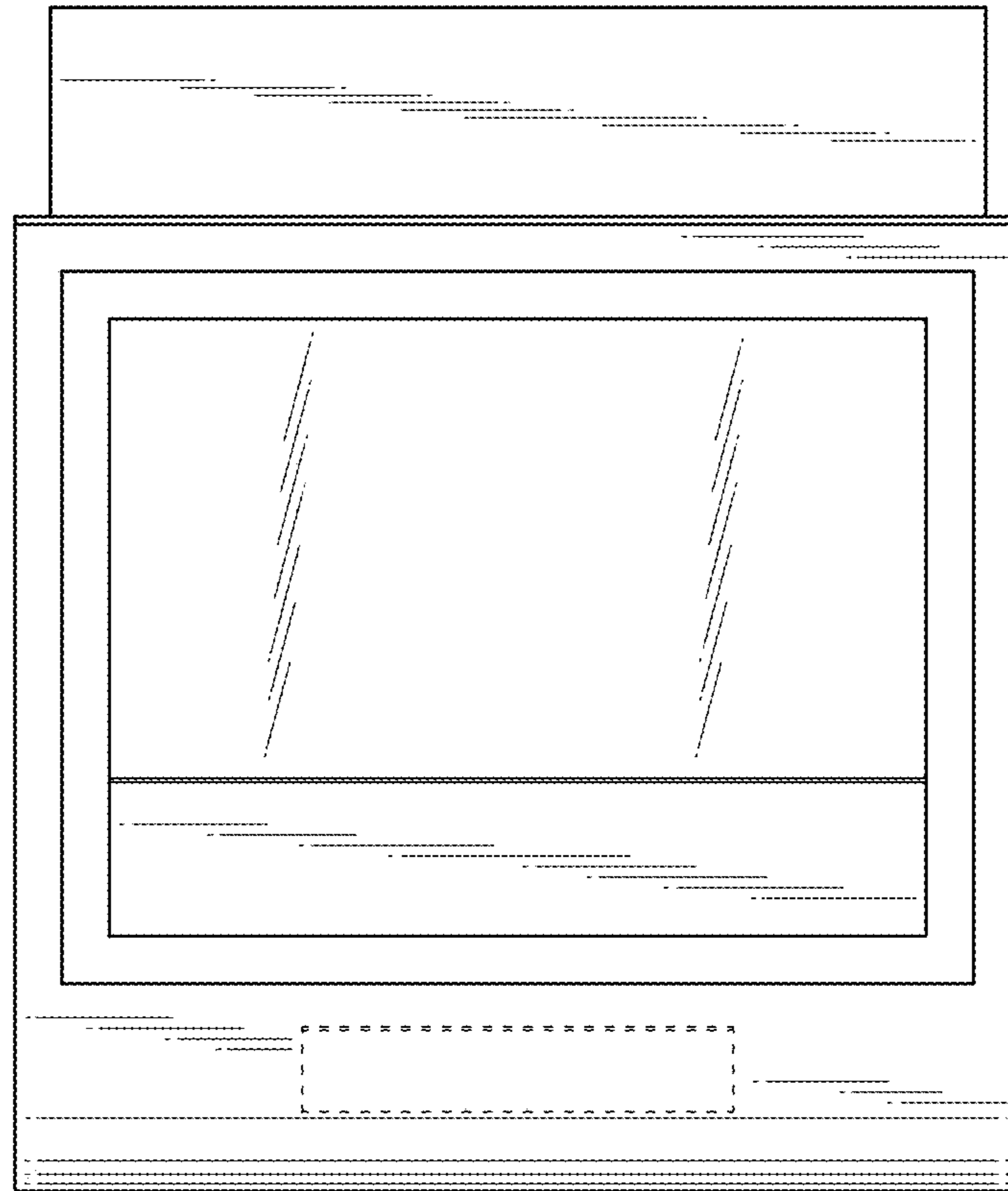


Fig. 6

