



US00D888703S

(12) **United States Design Patent**
Liao

(10) **Patent No.:** **US D888,703 S**
(45) **Date of Patent:** **** Jun. 30, 2020**

(54) **CAR PHONE MOUNT HOLDER**
(71) Applicant: **Gopod Group Ltd.,**
Shenzhen/Guangdong (CN)
(72) Inventor: **Zhuowen Liao,** Shenzhen (CN)
(73) Assignee: **GUANGDONG GOPOD GROUP**
HOLDING CO., LTD., Shenzhen (CN)

(**) Term: **15 Years**
(21) Appl. No.: **29/686,763**
(22) Filed: **Apr. 8, 2019**

(30) **Foreign Application Priority Data**
Apr. 1, 2019 (CN) 2019 3 0142258
(51) **LOC (12) Cl.** **14-03**
(52) **U.S. Cl.**
USPC **D14/253**
(58) **Field of Classification Search**
USPC D14/251-253, 447, 452, 432-434, 440;
D12/415; D3/218; D8/349, 363
CPC H04M 1/02; H04M 1/04; B60R 11/02;
F16M 11/00; F16M 11/04; F16M 11/06
See application file for complete search history.

(56) **References Cited**
U.S. PATENT DOCUMENTS
D646,674 S * 10/2011 Liao D14/253
D709,066 S * 7/2014 Byun D14/253

D736,217 S * 8/2015 Wang D14/451
D742,387 S * 11/2015 Xiang D14/447
D852,188 S * 6/2019 He D14/253
D859,286 S * 9/2019 He D12/415
D860,190 S * 9/2019 Liao D14/253
D873,260 S * 1/2020 Dang D14/253
D882,560 S * 4/2020 Liao D14/253
D883,271 S * 5/2020 Liao D14/253

* cited by examiner

Primary Examiner — Janice Hallmark
(74) *Attorney, Agent, or Firm* — Dorsey & Whitney LLP

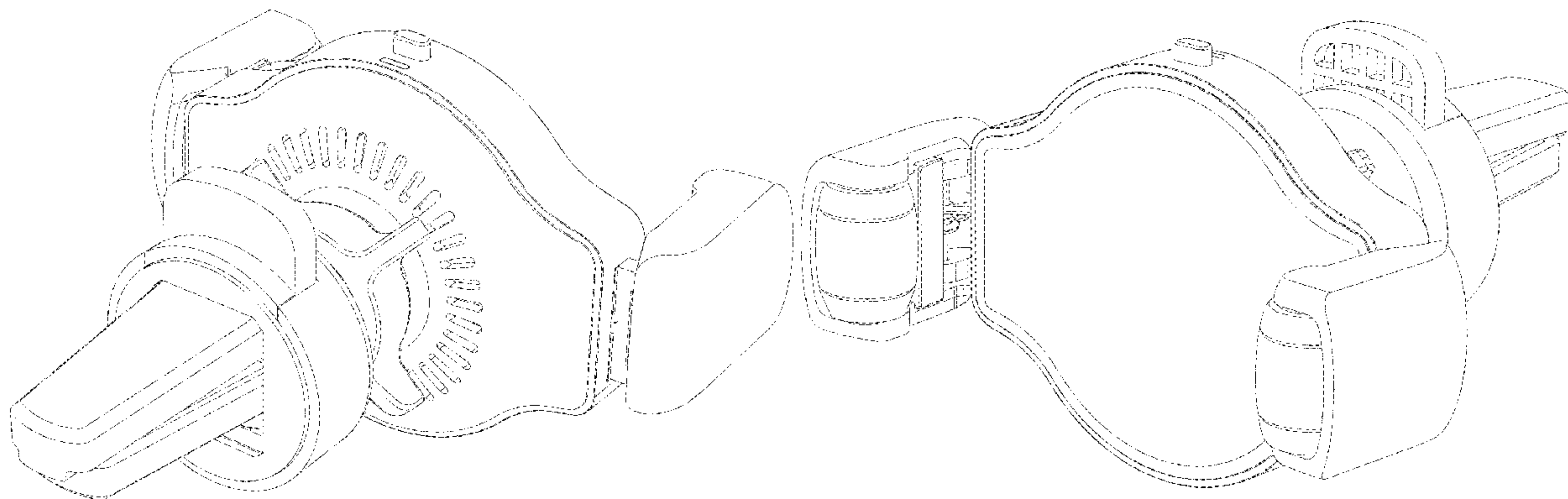
(57) **CLAIM**

The ornamental design for a car phone mount holder, as shown and described.

DESCRIPTION

FIG. 1 is a front view of a car phone mount holder showing my new design;
FIG. 2 is a rear view thereof;
FIG. 3 is a left side view thereof;
FIG. 4 is a right side view thereof;
FIG. 5 is a top view thereof;
FIG. 6 is a bottom view thereof;
FIG. 7 is a top, front, left side perspective view thereof;
FIG. 8 is a bottom, rear, right side perspective view thereof;
and,
FIG. 9 is a top, rear, right side perspective view thereof.
The broken lines shown in the drawings illustrate portions of the car phone mount holder that form no part of the claimed design.

1 Claim, 9 Drawing Sheets



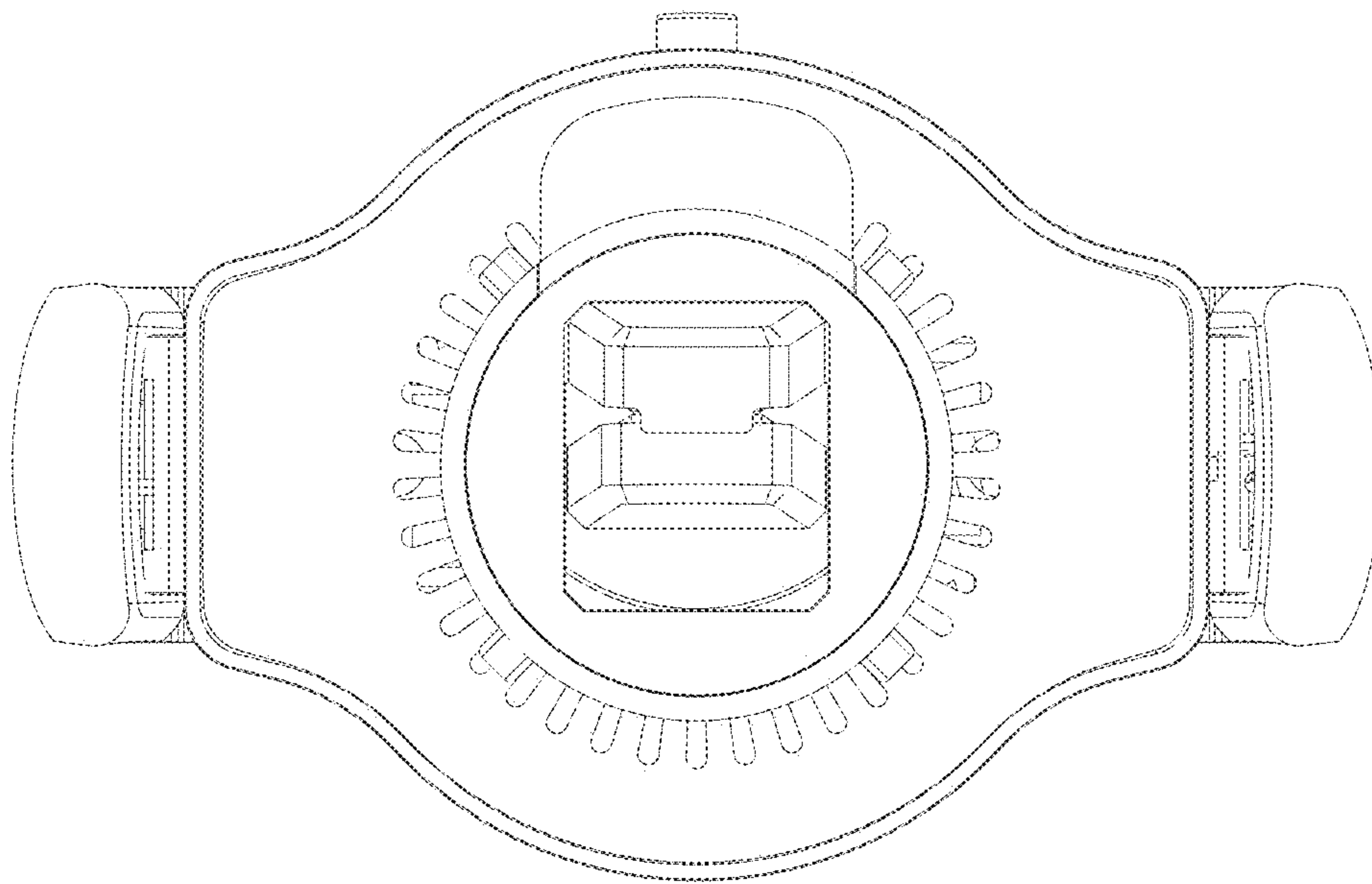


FIG. 1

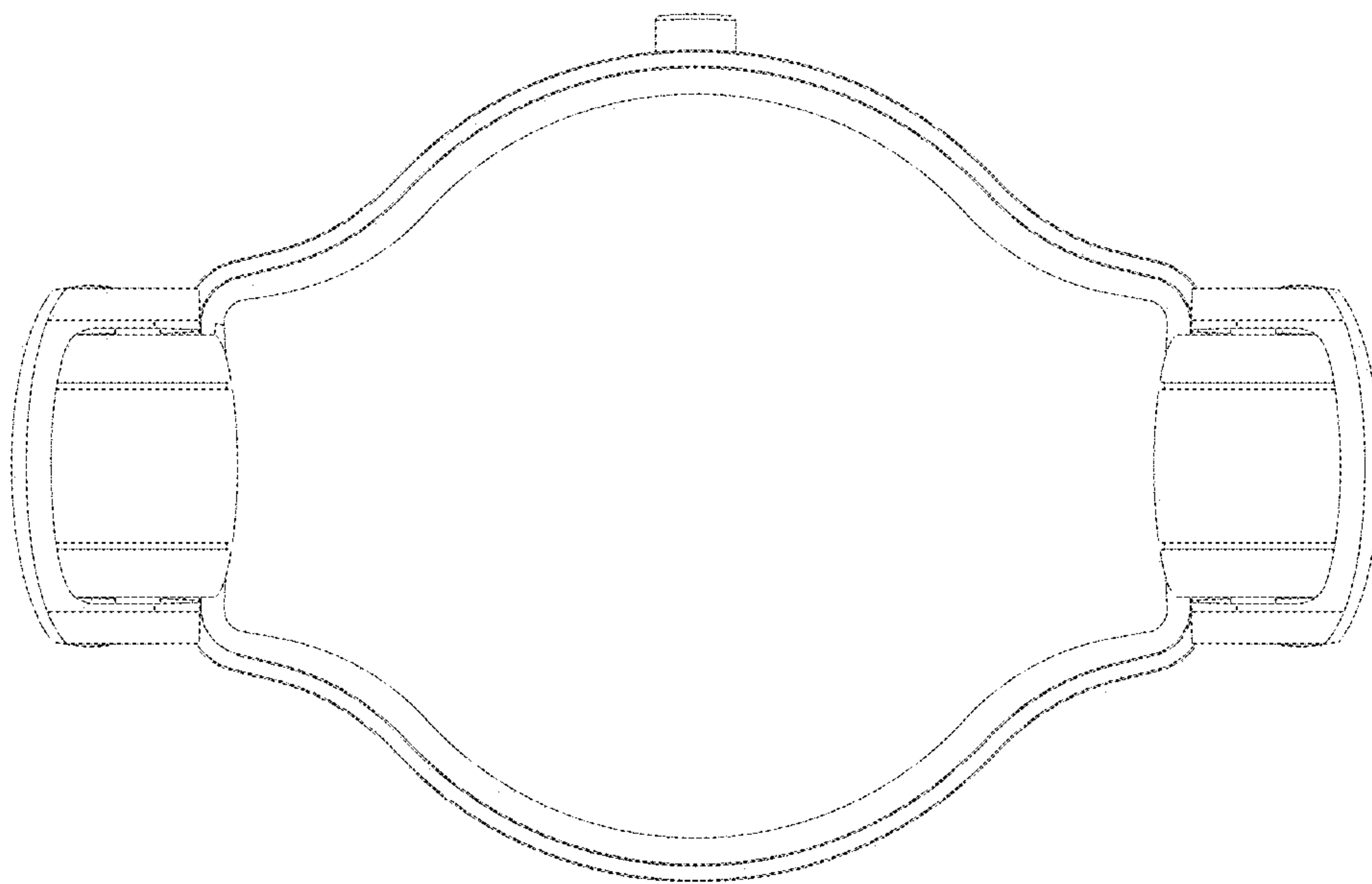


FIG. 2

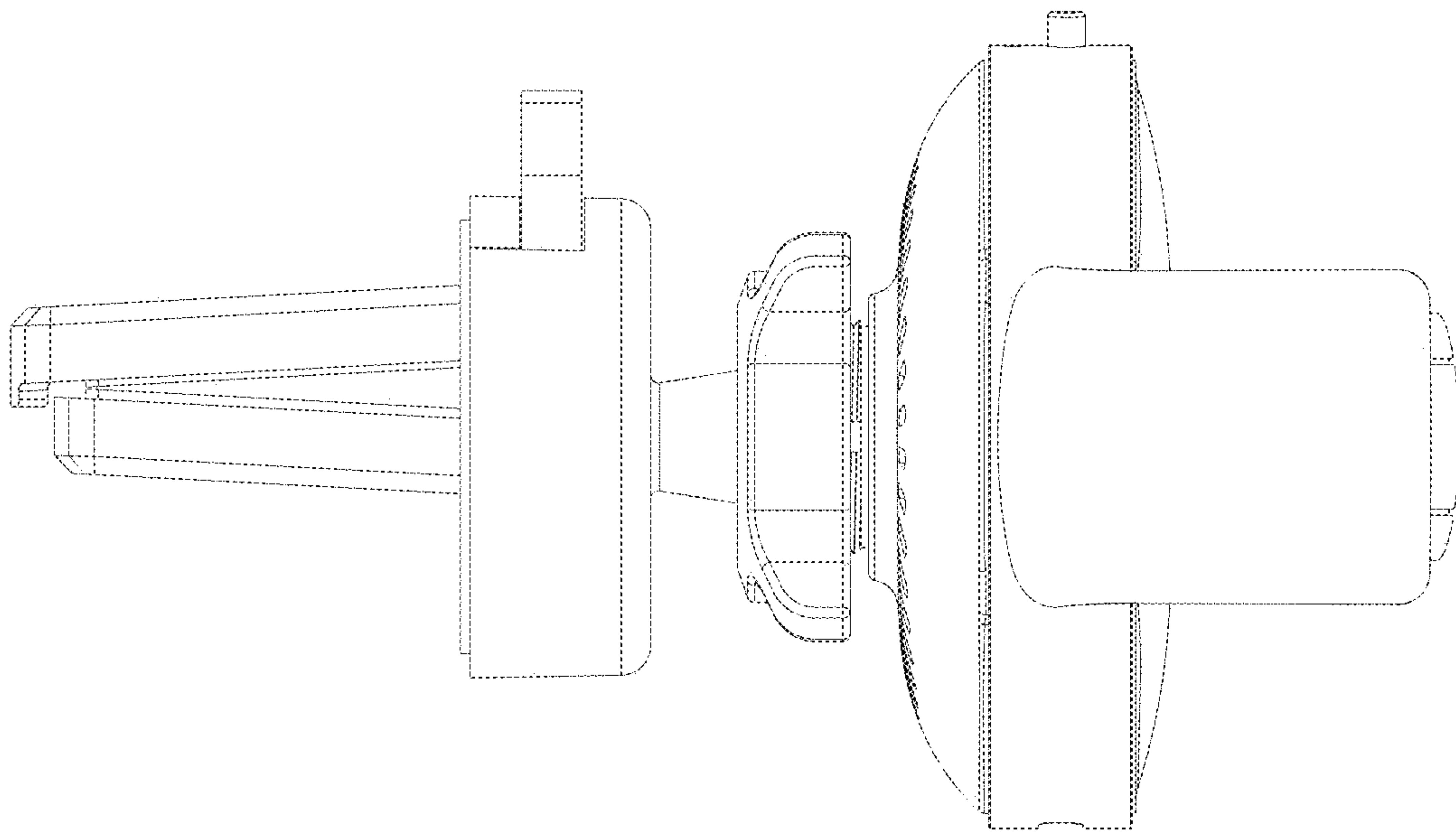


FIG. 3

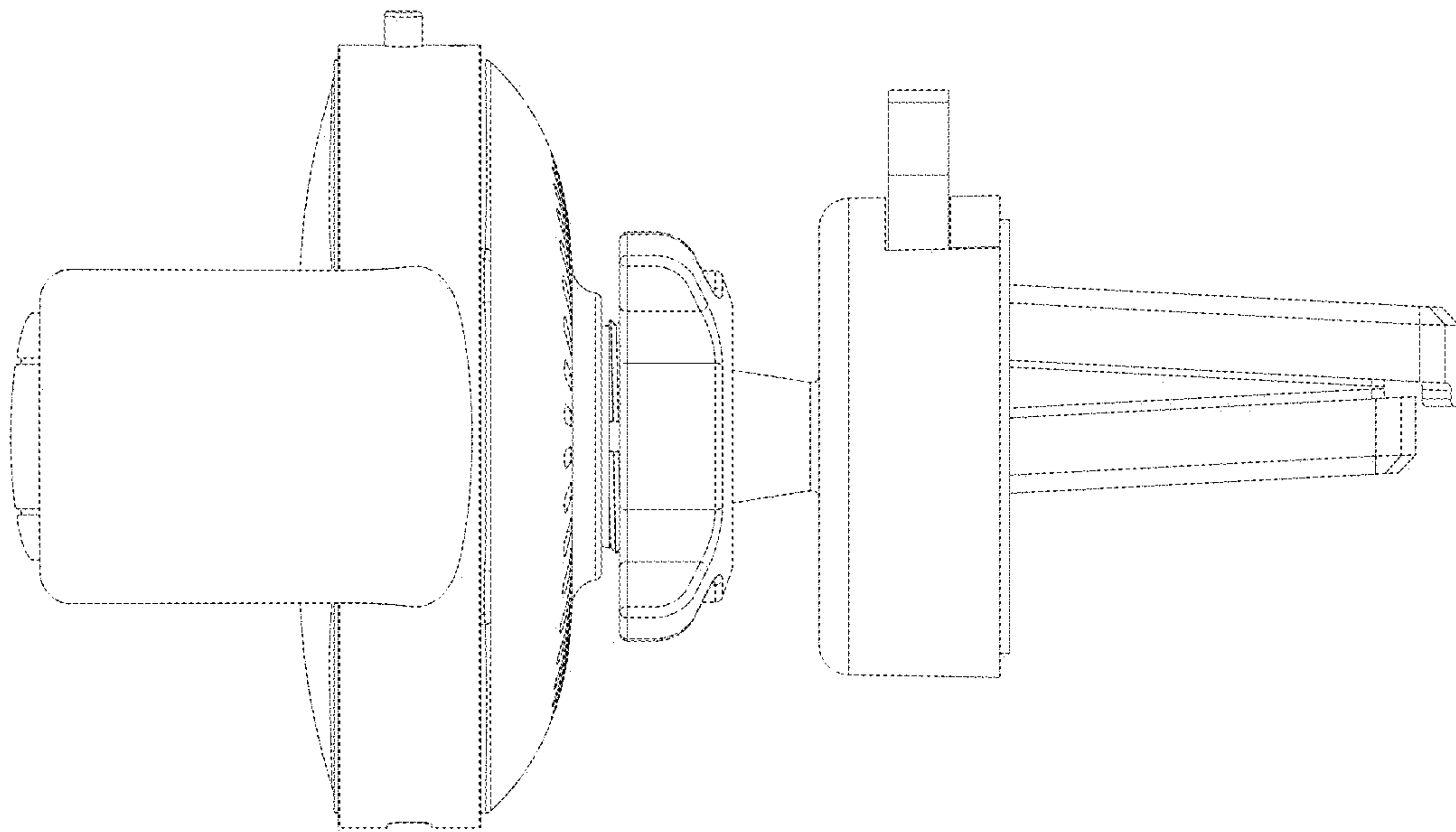


FIG. 4

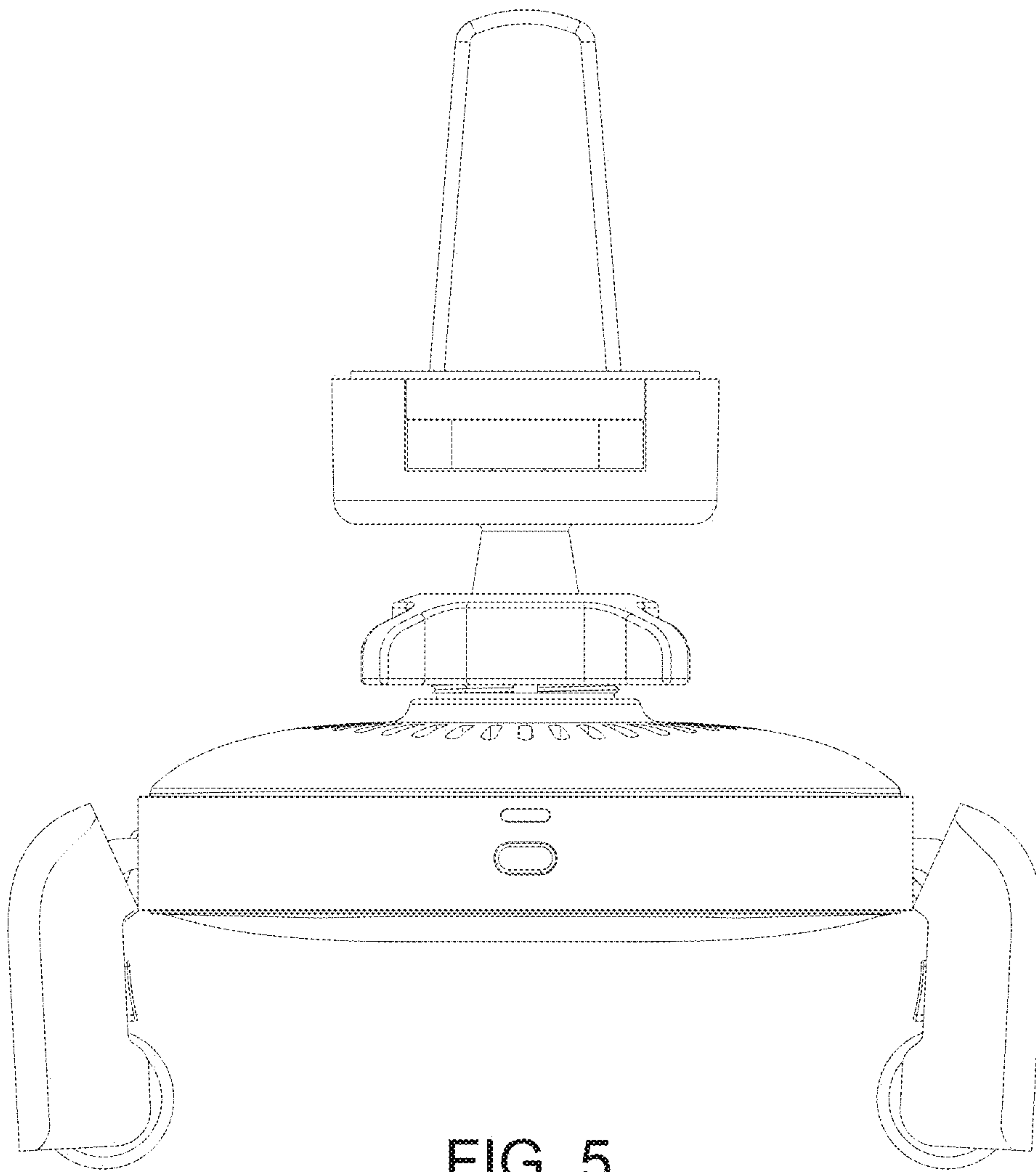


FIG. 5

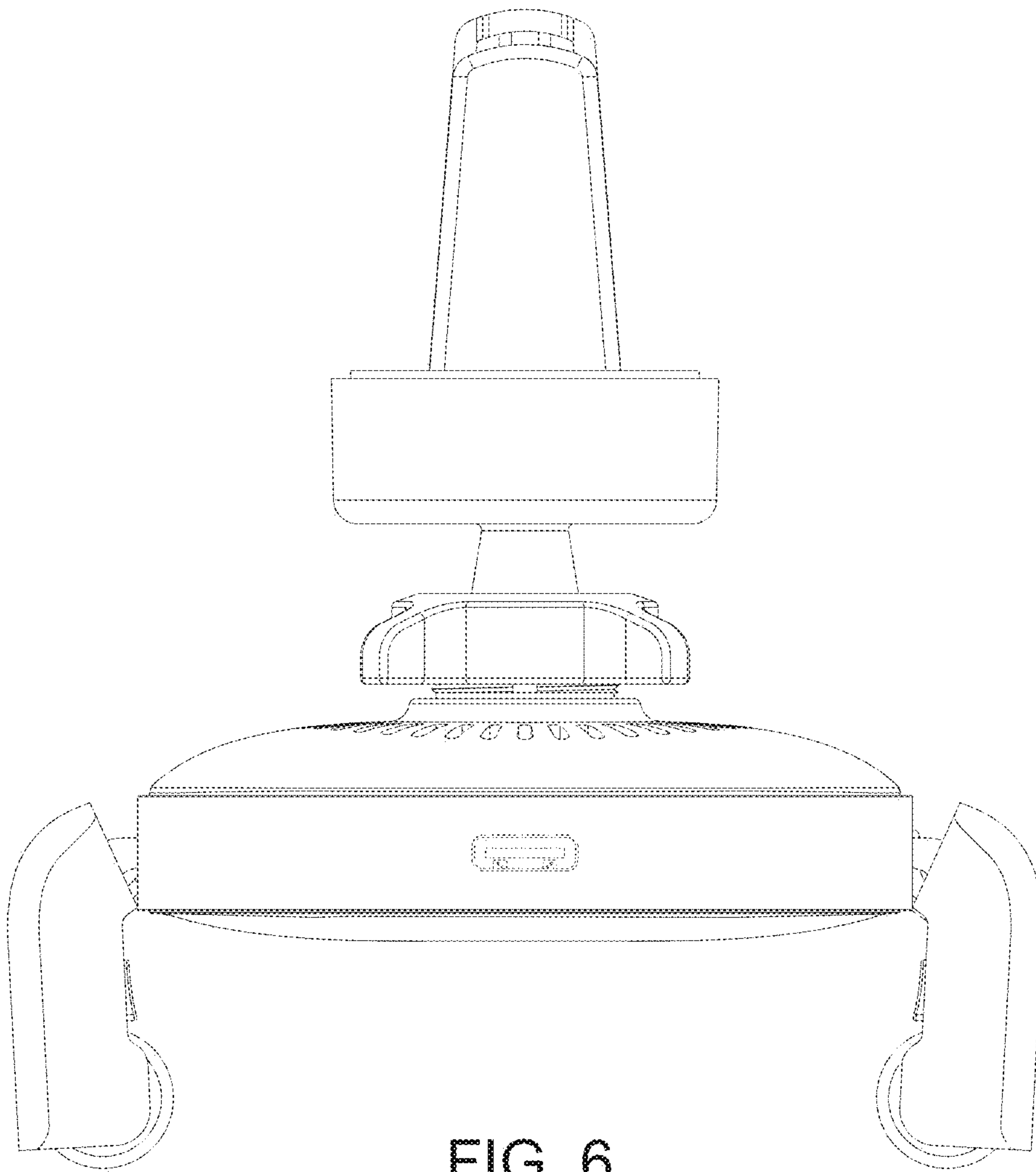


FIG. 6

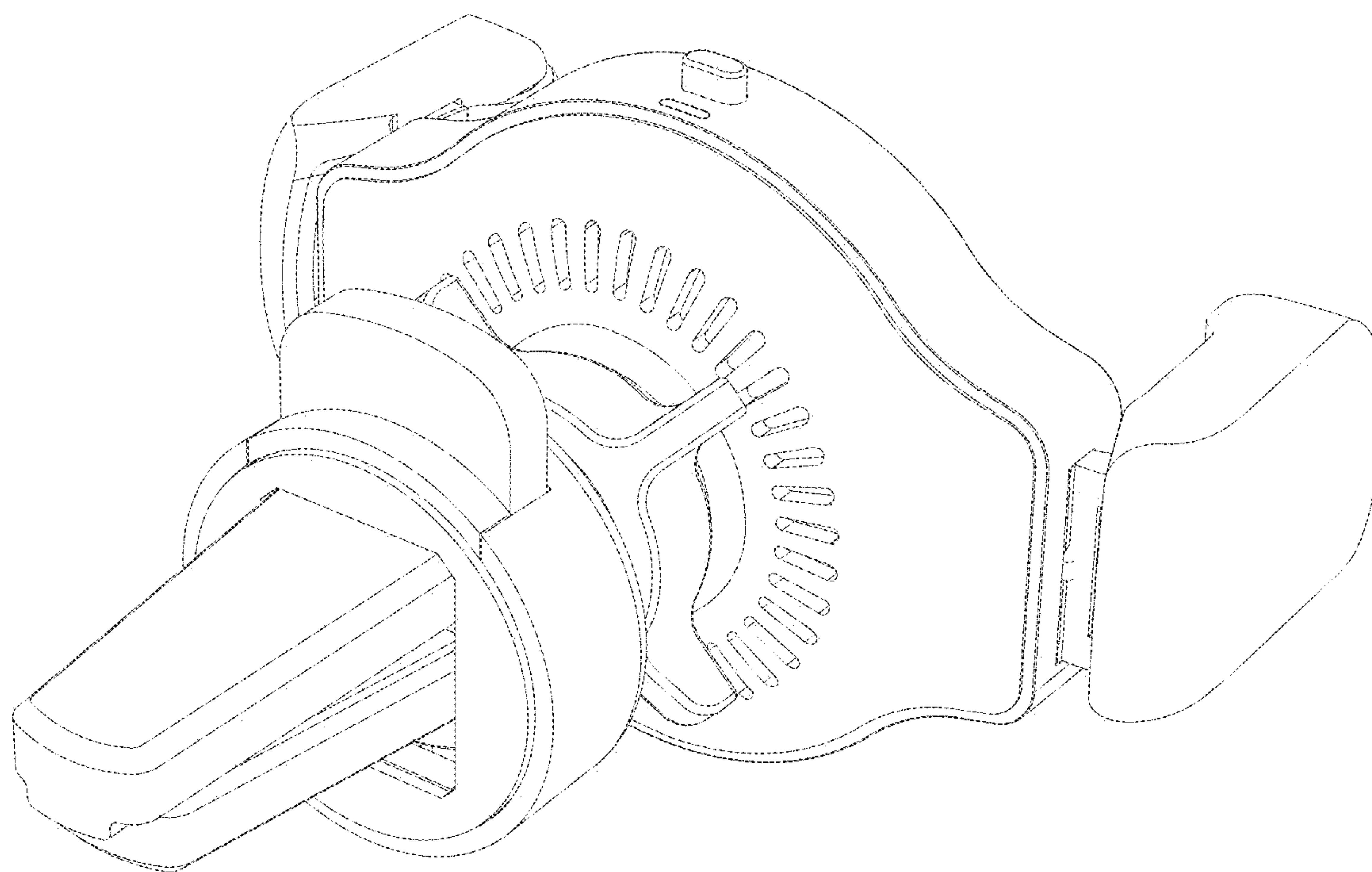


FIG. 7

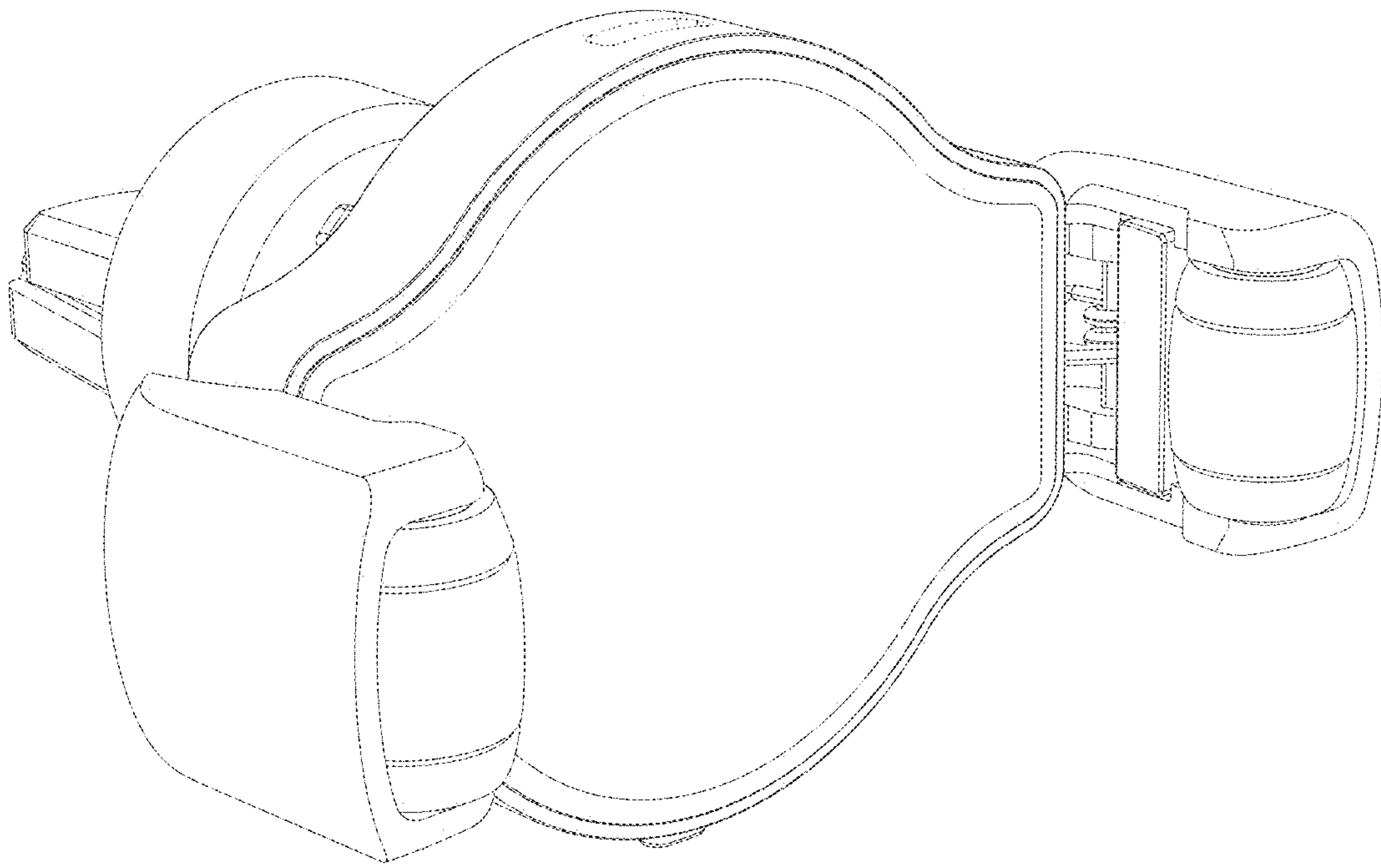


FIG. 8

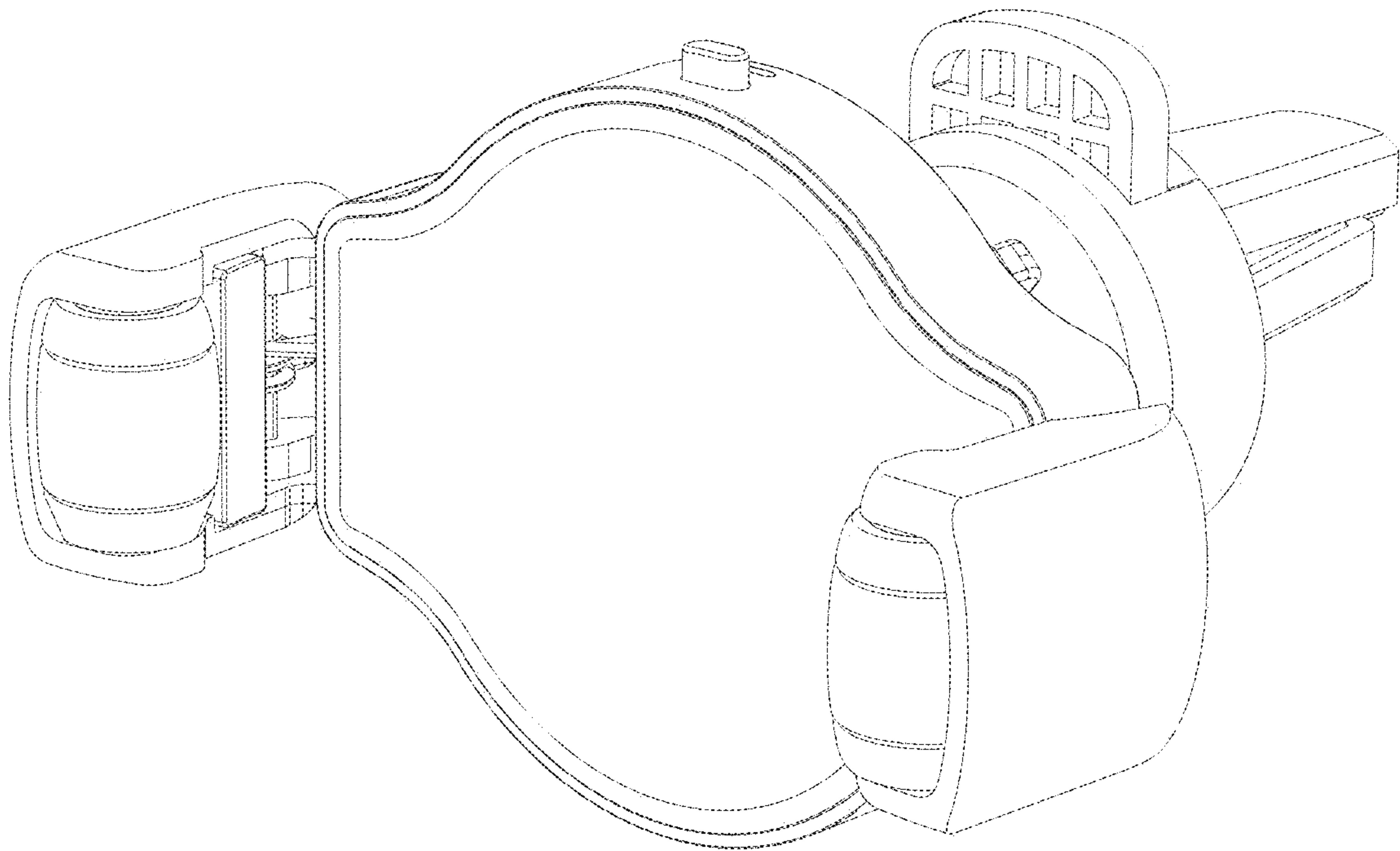


FIG. 9