



US00D888699S

(12) **United States Design Patent**
Xiang

(10) **Patent No.:** **US D888,699 S**

(45) **Date of Patent:** **** Jun. 30, 2020**

- (54) **SIGNAL TRANSMITTER**
- (71) Applicant: **ZHAOQING HEJIA ELECTRONICS CO., LTD.,** Zhaoqing (CN)
- (72) Inventor: **Yong Xiang,** Zhaoqing (CN)
- (73) Assignee: **ZHAOQING HEJIA ELECTRONICS CO., LTD.,** Zhaoqing (CN)
- (**) Term: **15 Years**
- (21) Appl. No.: **29/676,182**
- (22) Filed: **Jan. 9, 2019**
- (51) **LOC (12) Cl.** **14-03**
- (52) **U.S. Cl.**
USPC **D14/240**
- (58) **Field of Classification Search**
USPC D14/240, 242, 357, 358, 155, 125, 126,
D14/137, 139, 243, 348, 349, 351, 354,
D14/355
CPC . H04L 12/66; H04L 63/0853; H04L 63/0272;
H04L 63/083; H04L 63/105; H05K 7/20;
H05K 7/20154
See application file for complete search history.

D388,005 S *	12/1997	Henderson	D10/104.1
D393,260 S *	4/1998	Yahaya	D14/137
D393,638 S *	4/1998	Page	D14/137
D419,160 S *	1/2000	Davidson	D14/137
D421,002 S *	2/2000	Davidson	D14/137
6,041,243 A *	3/2000	Davidson	H04B 1/086 455/351
D425,886 S *	5/2000	Larson	D14/137
D430,125 S *	8/2000	Larson	D14/137
D500,497 S *	1/2005	Yu	D14/240
D619,127 S *	7/2010	Tong	D13/133
D619,570 S *	7/2010	Tong	D13/133
D683,721 S *	6/2013	Ho	D14/240
D728,540 S *	5/2015	Inoue	D14/240
D841,610 S *	2/2019	Novin	D14/137

* cited by examiner

Primary Examiner — Bridget L Eland

(74) *Attorney, Agent, or Firm* — Law Offices of Steven W. Weinrieb

(57) **CLAIM**

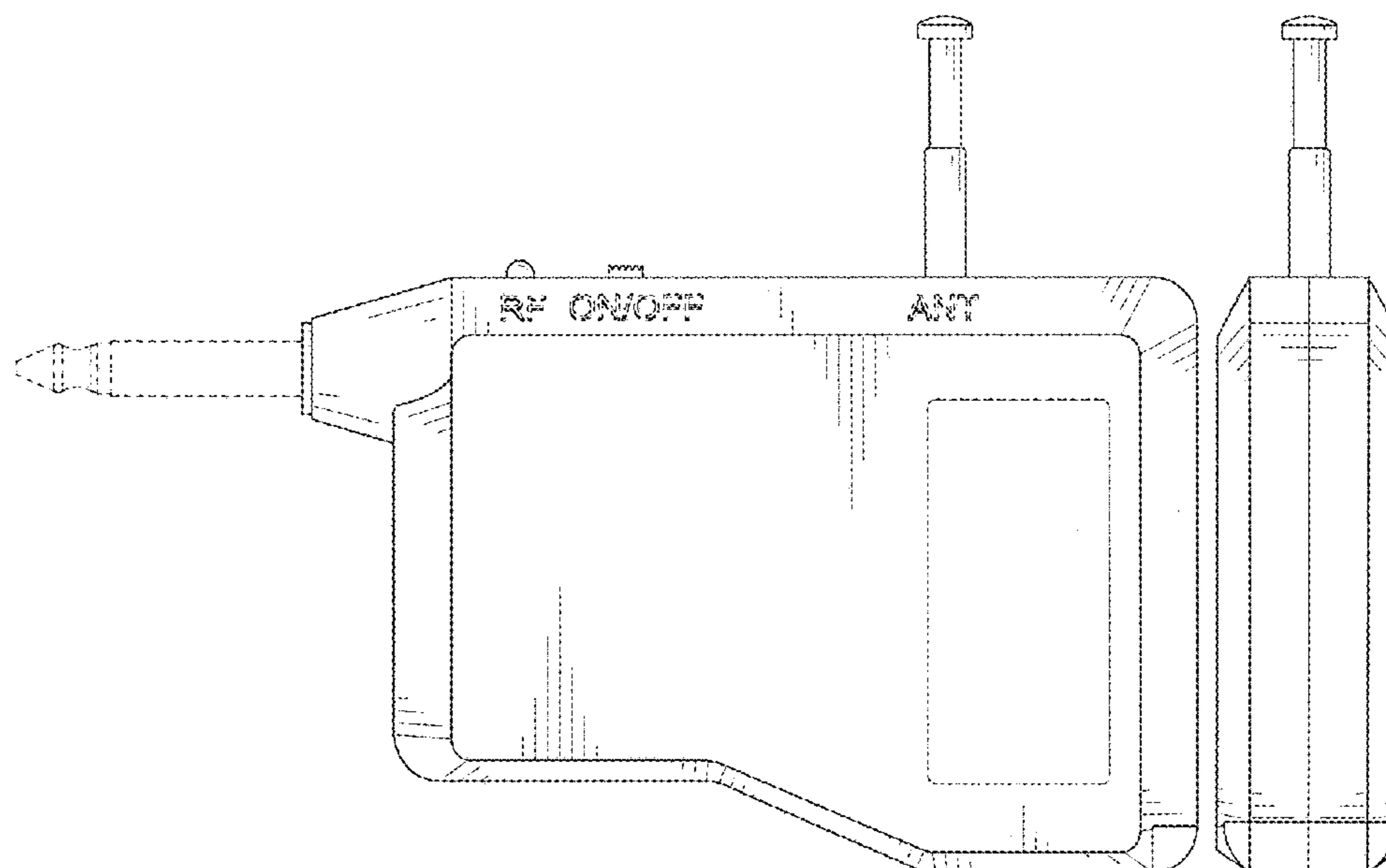
The ornamental design for a signal transmitter, as shown and described.

DESCRIPTION

FIG. 1 is a front, right side, top perspective view of a signal transmitter showing my new design;
 FIG. 2 is a rear, right side, bottom perspective view thereof;
 FIG. 3 is a front elevation view thereof;
 FIG. 4 is a rear elevation view thereof;
 FIG. 5 is a left side elevation view thereof;
 FIG. 6 is a right side elevation view thereof;
 FIG. 7 is a top plan view thereof; and,
 FIG. 8 is a bottom plan view thereof.

The broken lines immediately adjacent to the claimed portions are boundaries, all other broken lines are environmental structures; all the broken lines form no part of the claimed design.

1 Claim, 8 Drawing Sheets



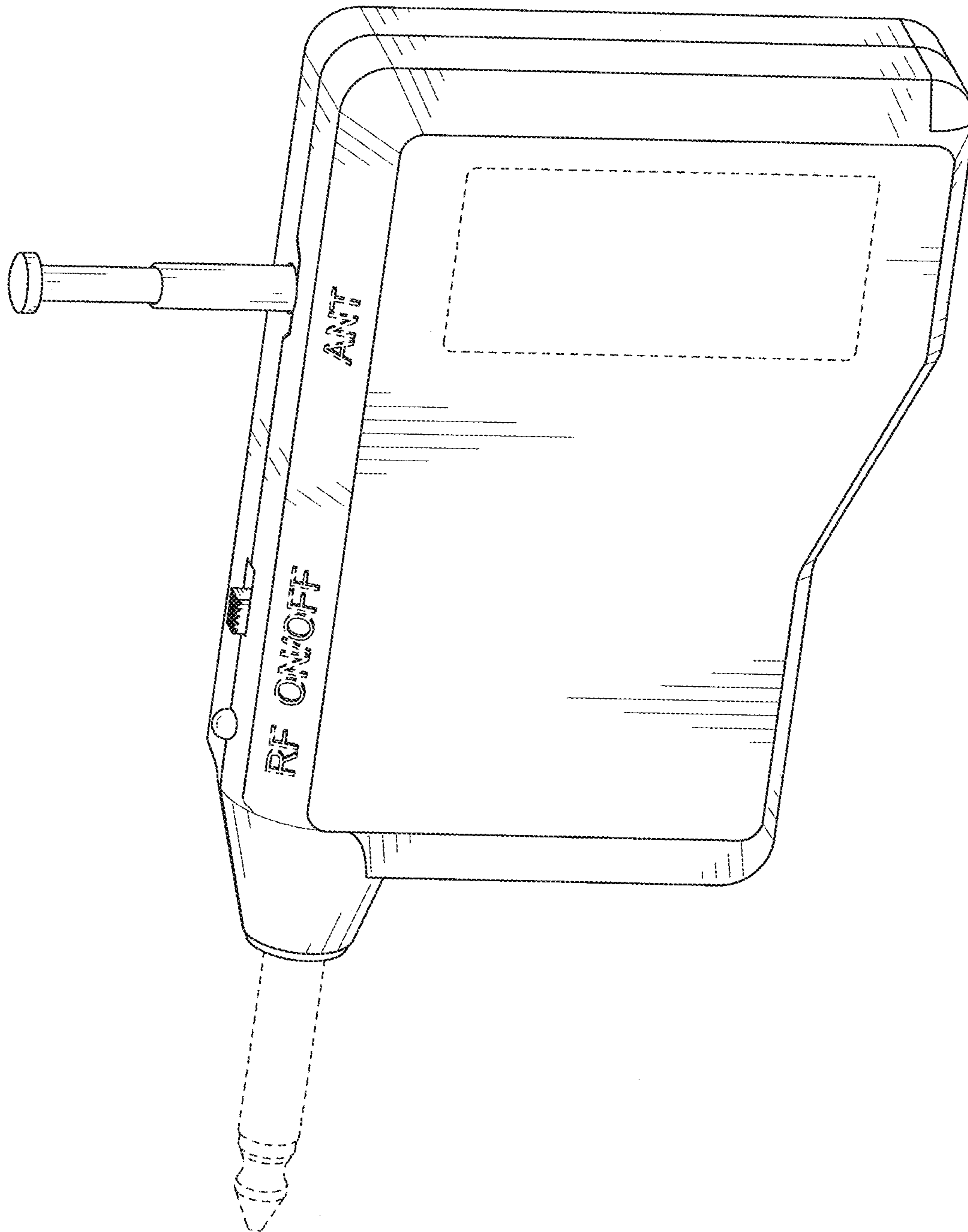


FIG. 1

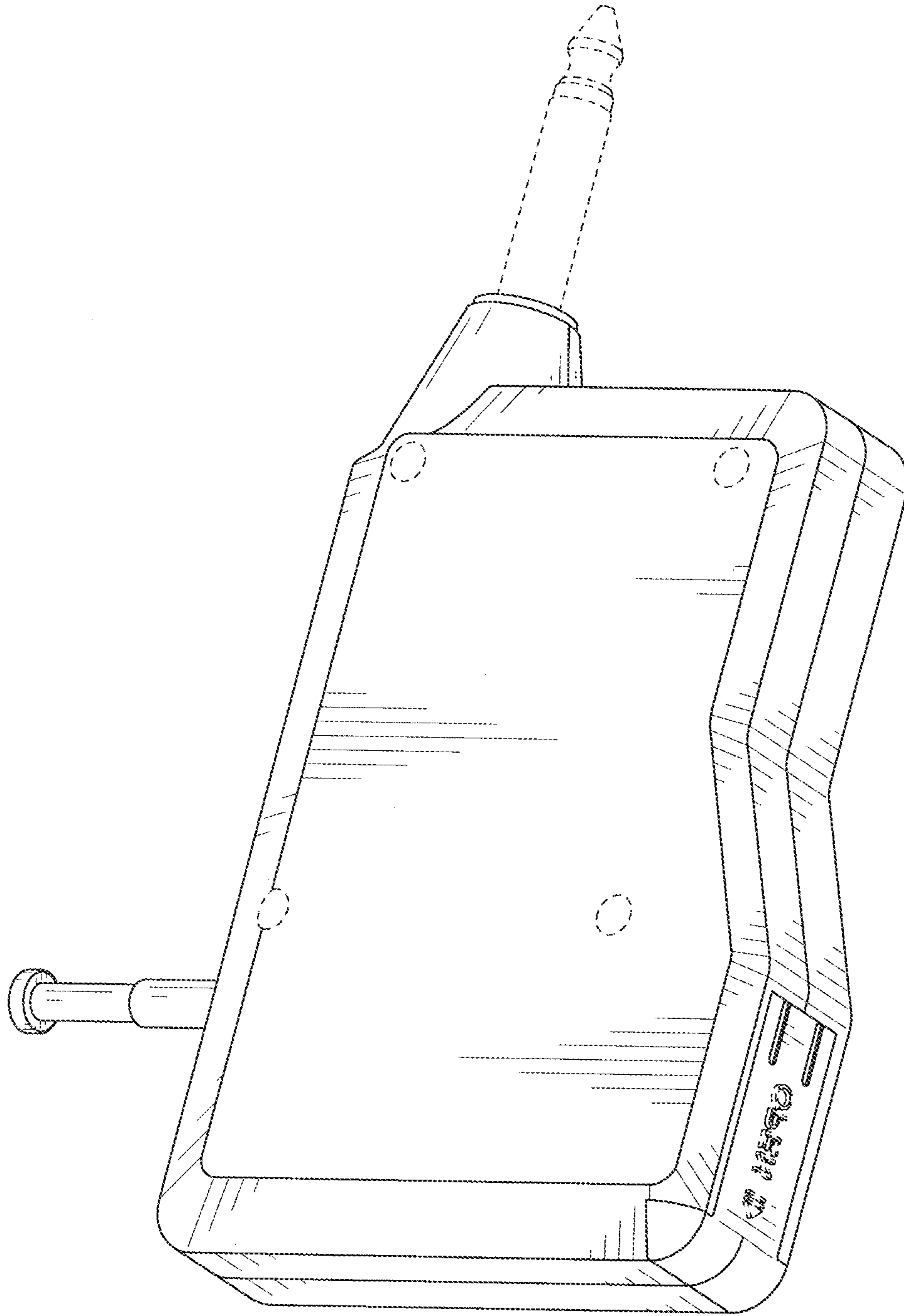


FIG. 2

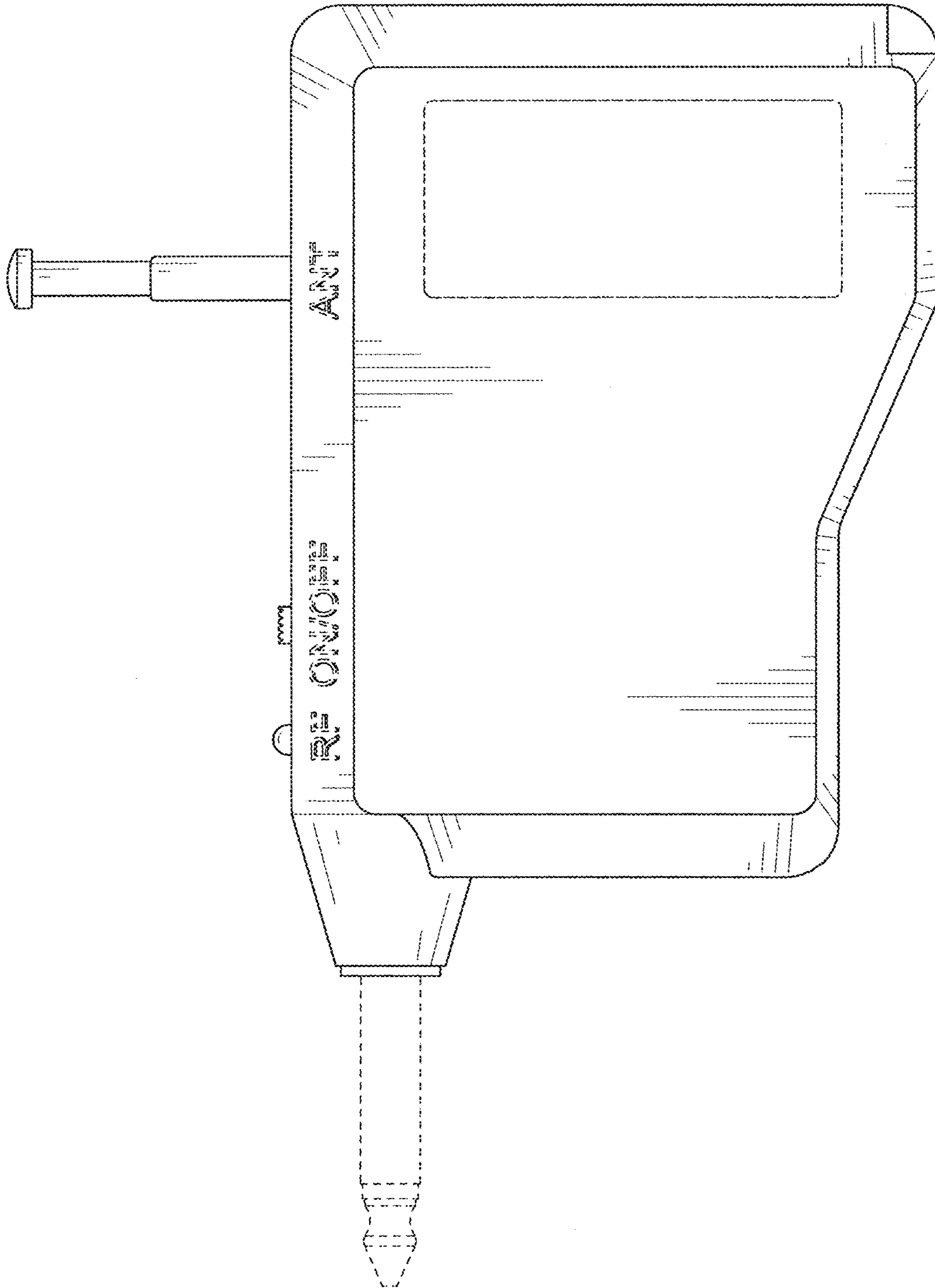


FIG. 3

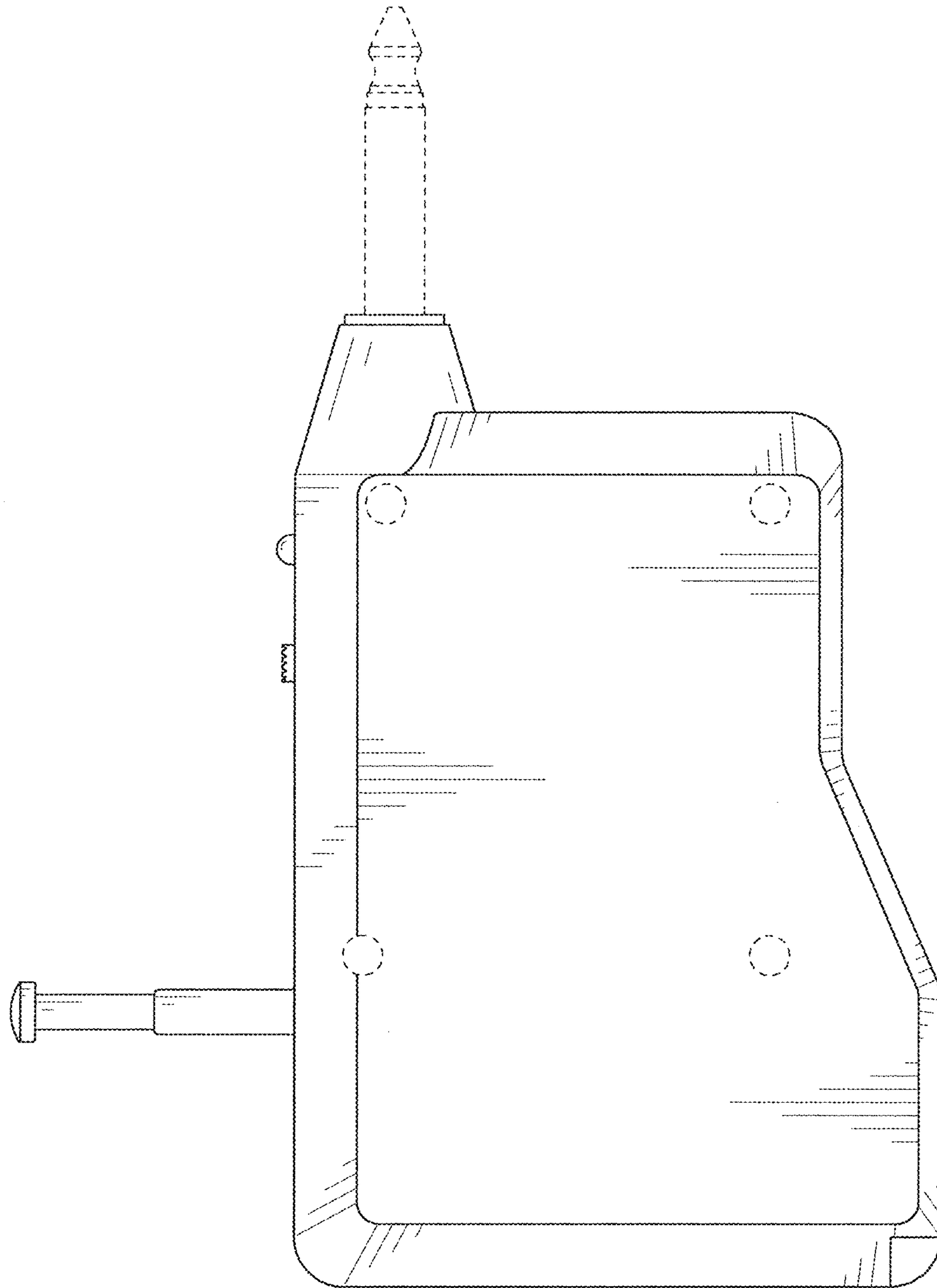


FIG. 4

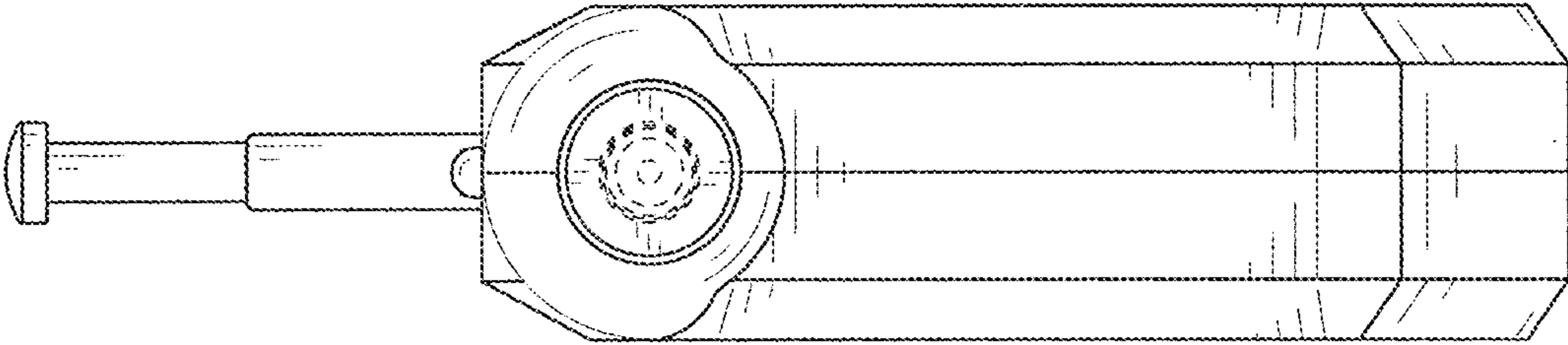


FIG. 5

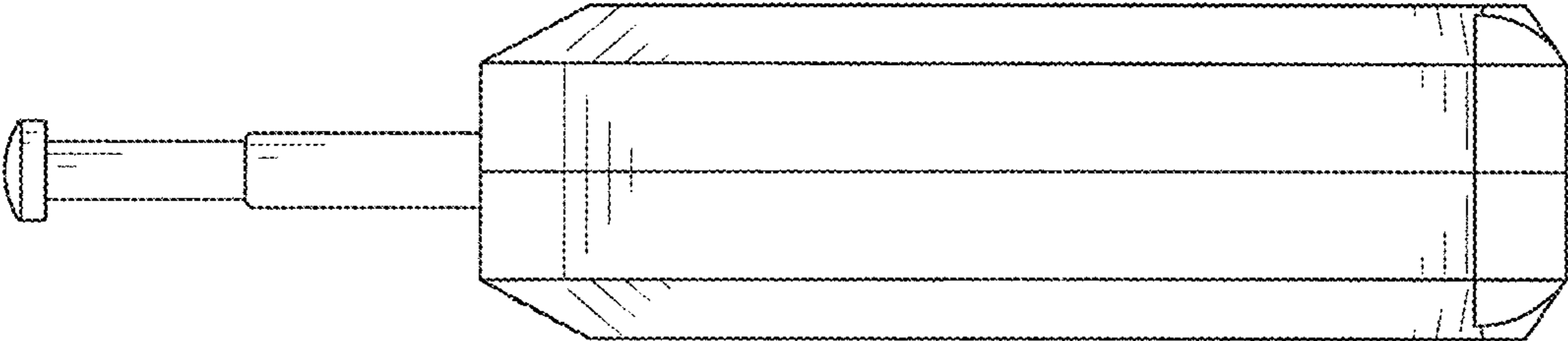


FIG. 6

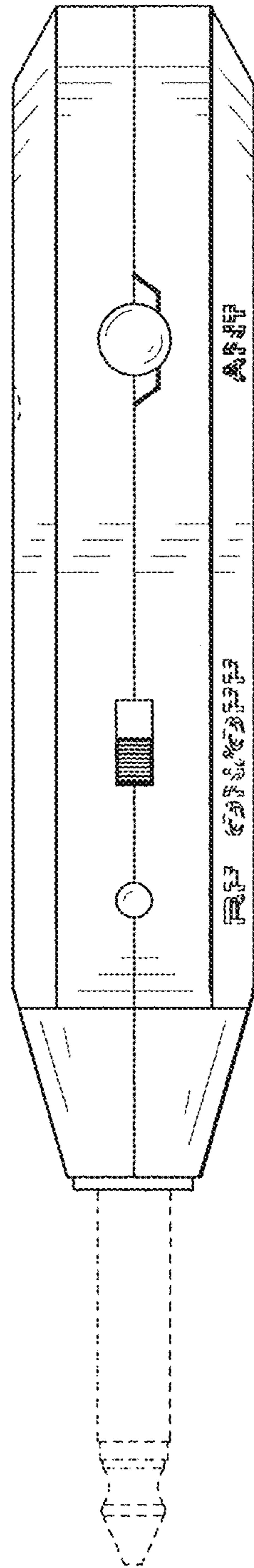


FIG. 7

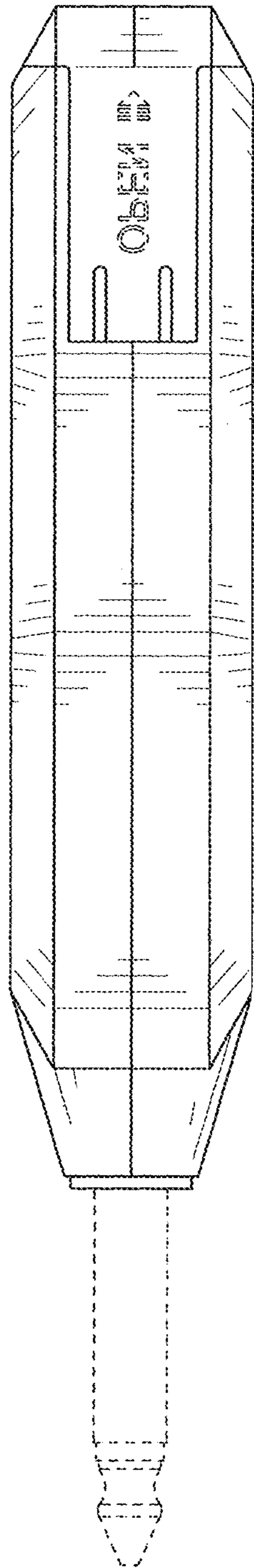


FIG. 8