



US00D888695S

(12) **United States Design Patent**
Seong et al.

(10) **Patent No.:** **US D888,695 S**
(45) **Date of Patent:** **** Jun. 30, 2020**

(54) **TELEVISION RECEIVER**

FOREIGN PATENT DOCUMENTS

(71) Applicant: **Samsung Electronics Co., Ltd.**,
Suwon-si (KR)

EM 001776006-0002 11/2010
JP D1208716 6/2004

(Continued)

(72) Inventors: **Bo-Kyung Seong**, Daejeon-Si (KR);
Sung-Jin Ann, Seoul (KR); **Gil-Jae Lee**,
Seoul (KR); **Won-Chul Hwang**,
Seoul (KR)

Primary Examiner — John Windmuller

(74) *Attorney, Agent, or Firm* — NSIP Law

(73) Assignee: **Samsung Electronics Co., Ltd.**,
Suwon-si (KR)

(57) **CLAIM**

We claim the ornamental design for a television receiver, as shown and described.

(**) Term: **15 Years**

DESCRIPTION

(21) Appl. No.: **29/638,222**

(22) Filed: **Feb. 26, 2018**

(30) **Foreign Application Priority Data**

Sep. 1, 2017 (KR) 30-2017-0040924
Jan. 3, 2018 (KR) 30-2018-0000456

(51) **LOC (12) Cl.** **14-03**

(52) **U.S. Cl.**
USPC **D14/230**; D14/239

(58) **Field of Classification Search**
USPC D14/138, 230–238, 299, 358, 239;
D12/42, 43
CPC H01Q 7/00; H01Q 13/10; H01Q 9/285;
H01Q 19/30; H01Q 19/12; H01Q 1/38;
H01Q 1/36; H01Q 2/0027; H01Q 1/48;

(Continued)

(56) **References Cited**

U.S. PATENT DOCUMENTS

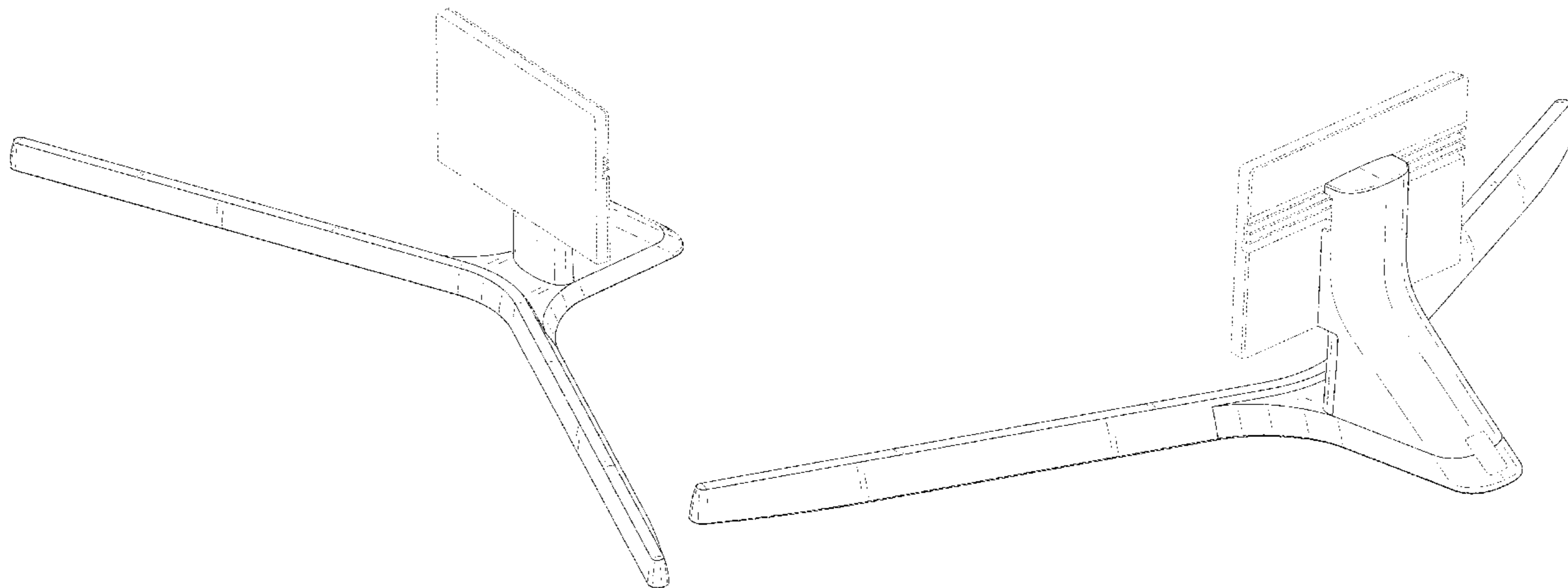
D660,815 S 5/2012 Itou et al.
D795,849 S * 8/2017 Cho D14/239
D822,670 S * 7/2018 Hubert D14/451

(Continued)

FIG. 1 is a front perspective view of a television receiver showing our new design;
FIG. 2 is a front view thereof;
FIG. 3 is a rear view thereof;
FIG. 4 is a left-side view thereof;
FIG. 5 is a right-side view thereof;
FIG. 6 is a top view thereof;
FIG. 7 is a bottom view thereof;
FIG. 8 is a rear perspective view thereof;
FIG. 9 is an enlarged view of the encircled portion in FIG. 1;
FIG. 10 is an enlarged view of the encircled portion in FIG. 3;
FIG. 11 is a front perspective view in which the stand portion is shown;
FIG. 12 is a front view of FIG. 11;
FIG. 13 is a rear view of FIG. 11;
FIG. 14 is a left-side view of FIG. 11;
FIG. 15 is a right-side view of FIG. 11;
FIG. 16 is a top plan view of FIG. 11;
FIG. 17 is a bottom plan view of FIG. 11; and,
FIG. 18 is a rear perspective view of FIG. 11.

The evenly spaced broken lines in the figures depict portions of the television receiver which form no part of the claimed design. The dot-dash broken lines encircling portions of the claimed design that are illustrated in enlargements form no part of the claimed design.

1 Claim, 18 Drawing Sheets



(58) **Field of Classification Search**

CPC H01Q 9/045; H01Q 1/243; H04B 1/0475;
H04B 1/034; H05K 11/00

See application file for complete search history.

(56) **References Cited**

U.S. PATENT DOCUMENTS

D824,889 S *	8/2018	Debaigue	D14/239
D824,890 S *	8/2018	Kim	D14/239
D836,618 S *	12/2018	Kim	D14/239
D857,676 S *	8/2019	Kim	D14/239
D858,474 S *	9/2019	Lim	D14/126

FOREIGN PATENT DOCUMENTS

KR	30-2009-0032240	9/2010
KR	30-2012-0021353	4/2013

* cited by examiner

FIG. 1

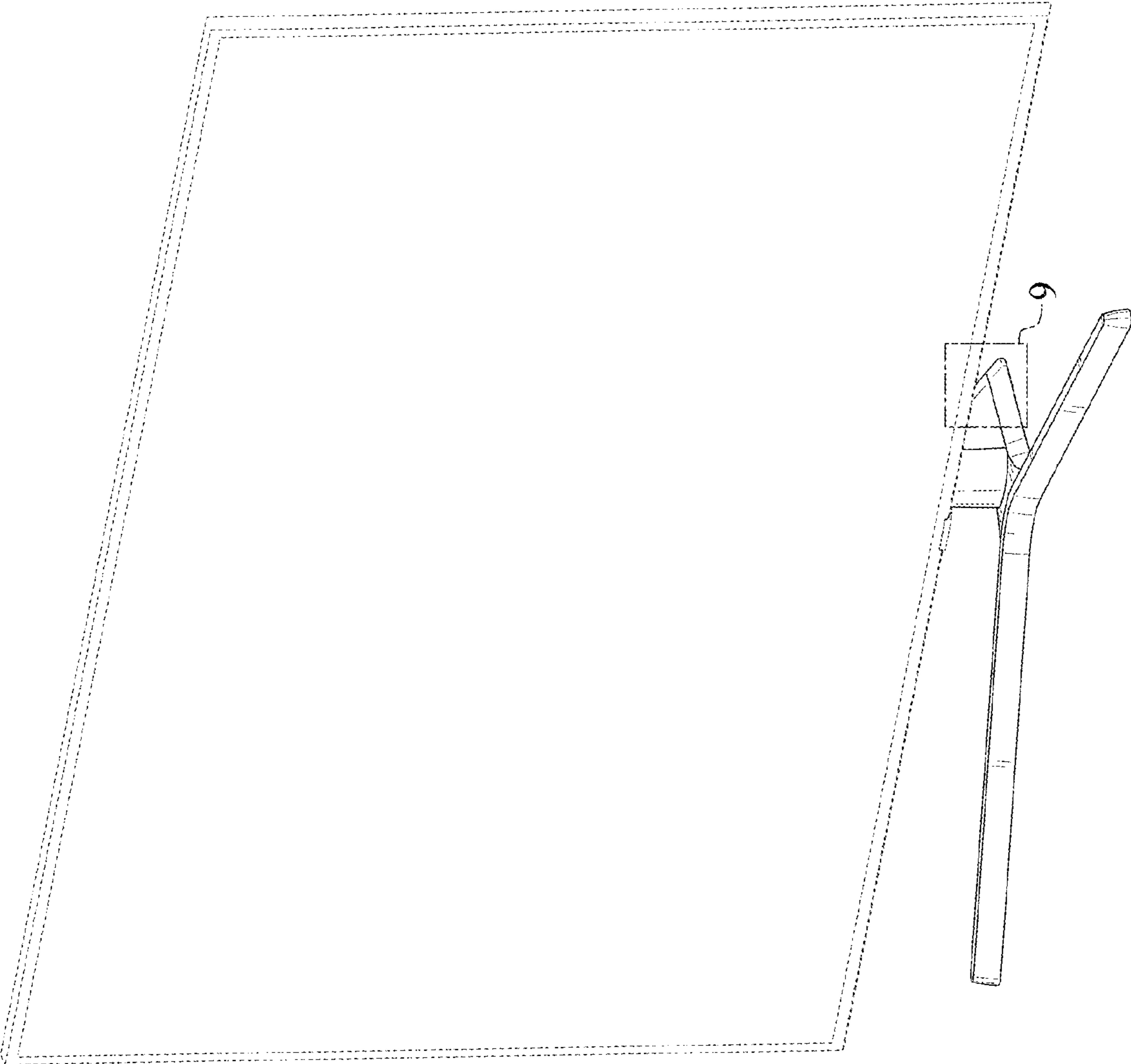


FIG. 2

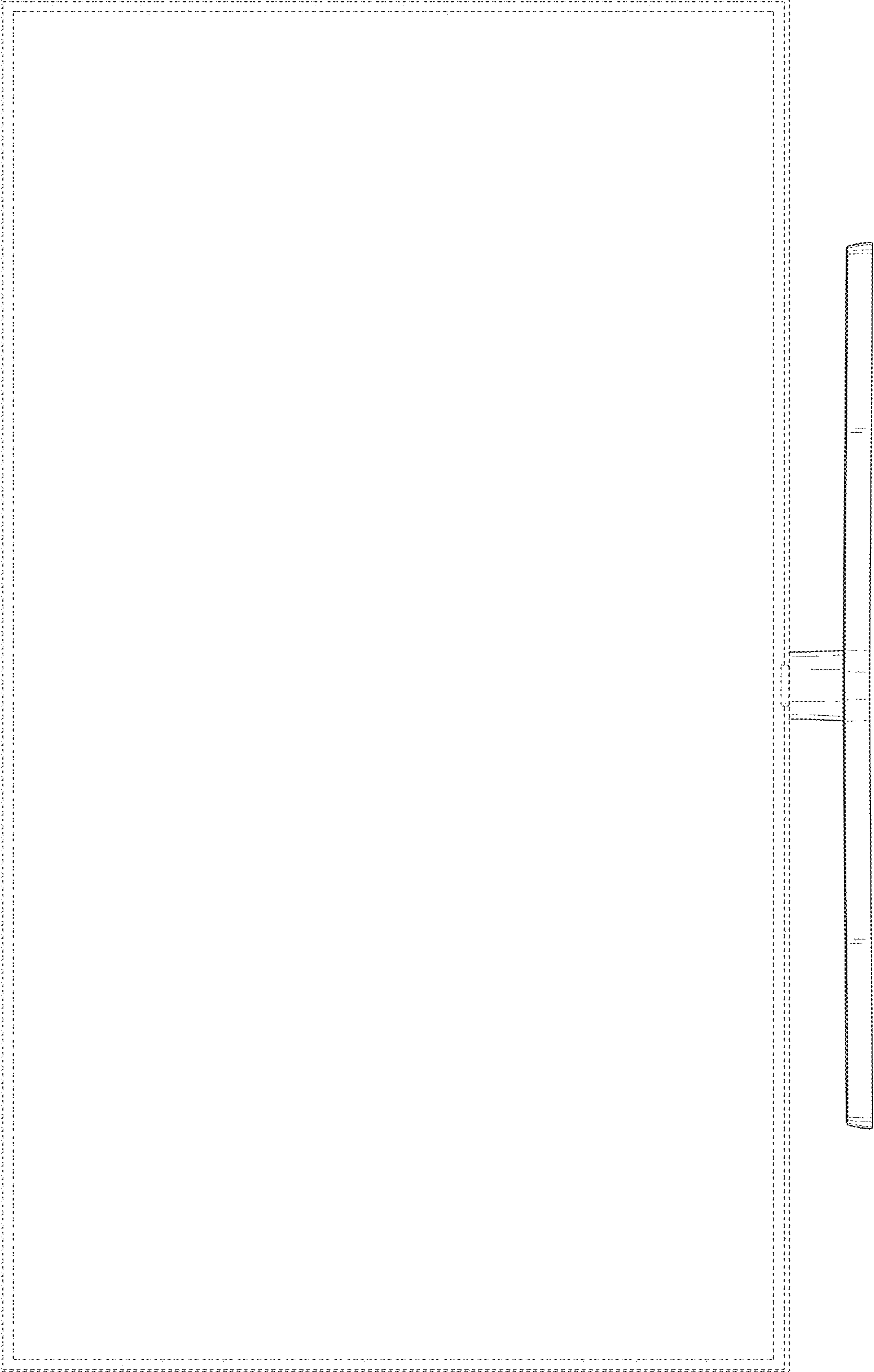


FIG. 3

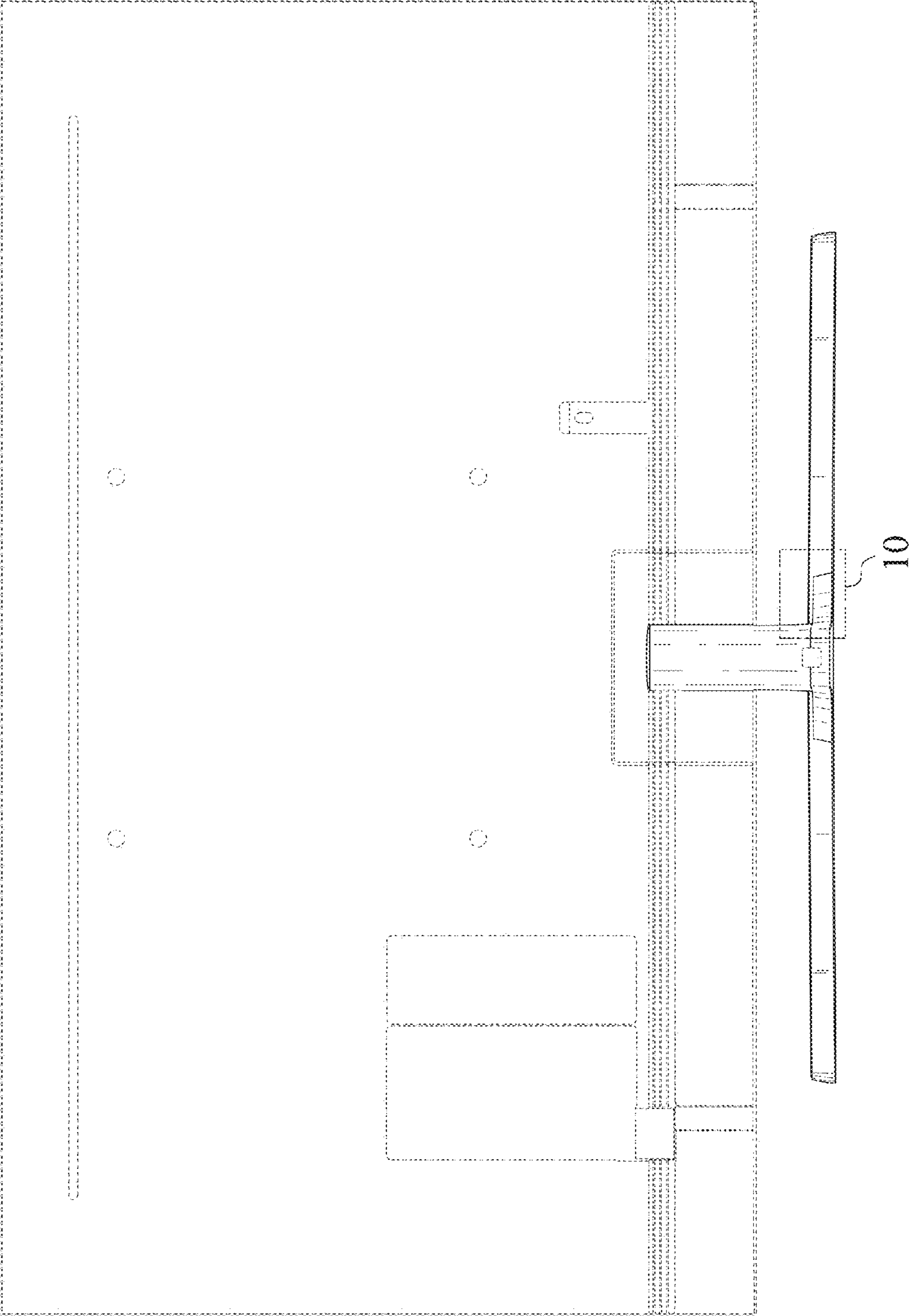


FIG. 4

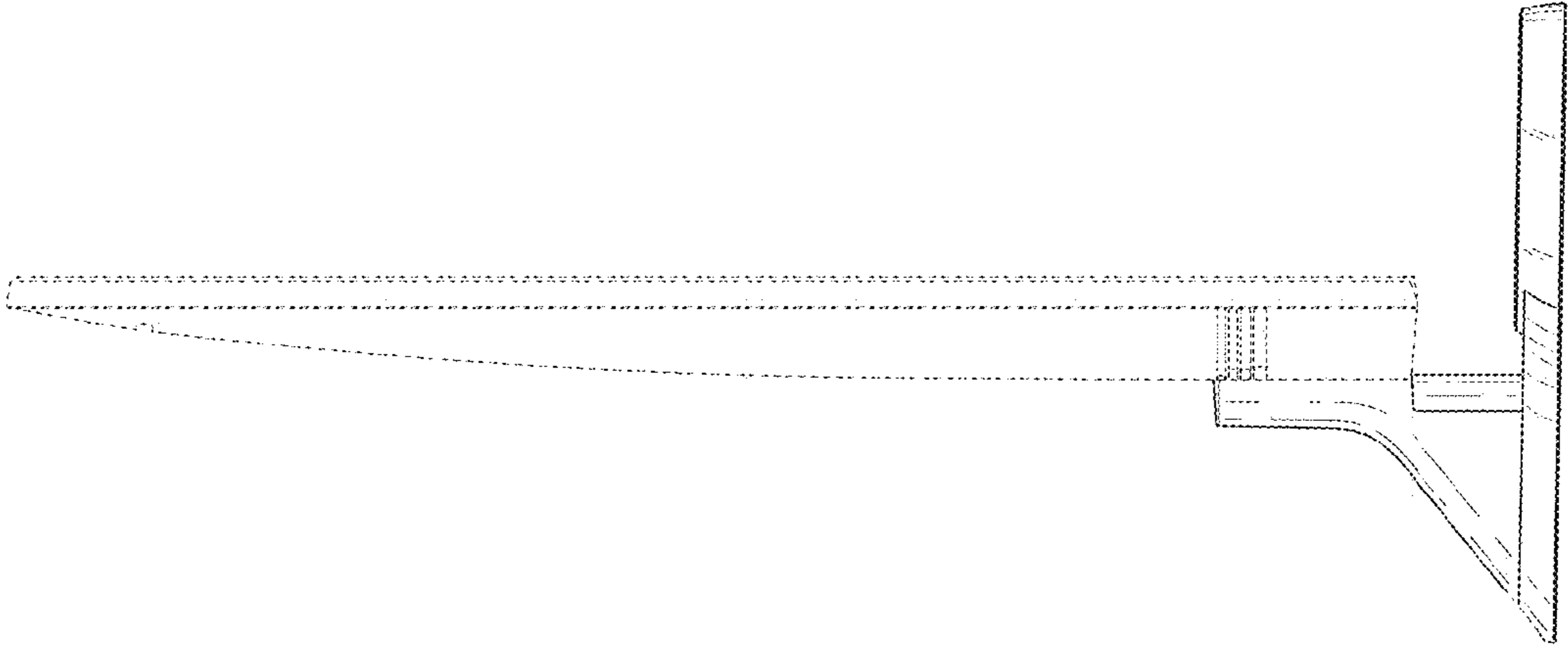


FIG. 5

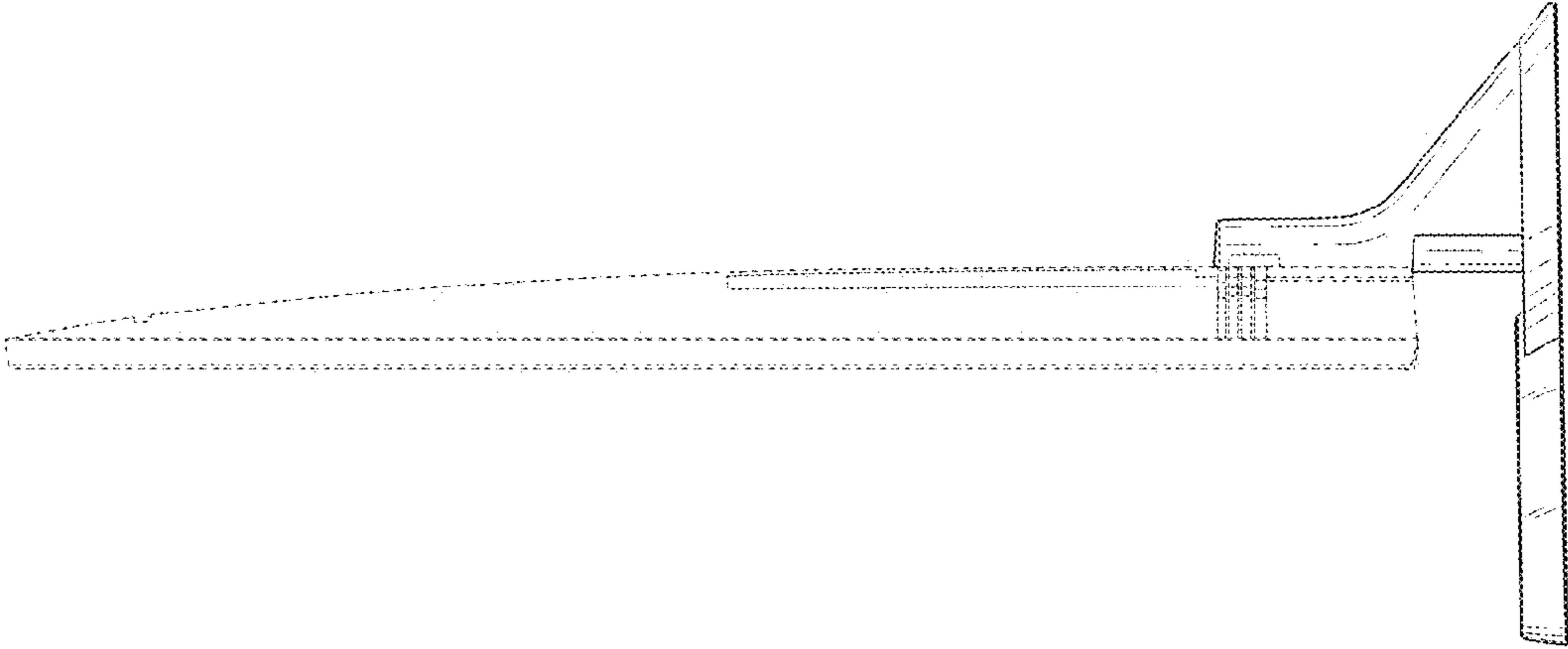


FIG. 6

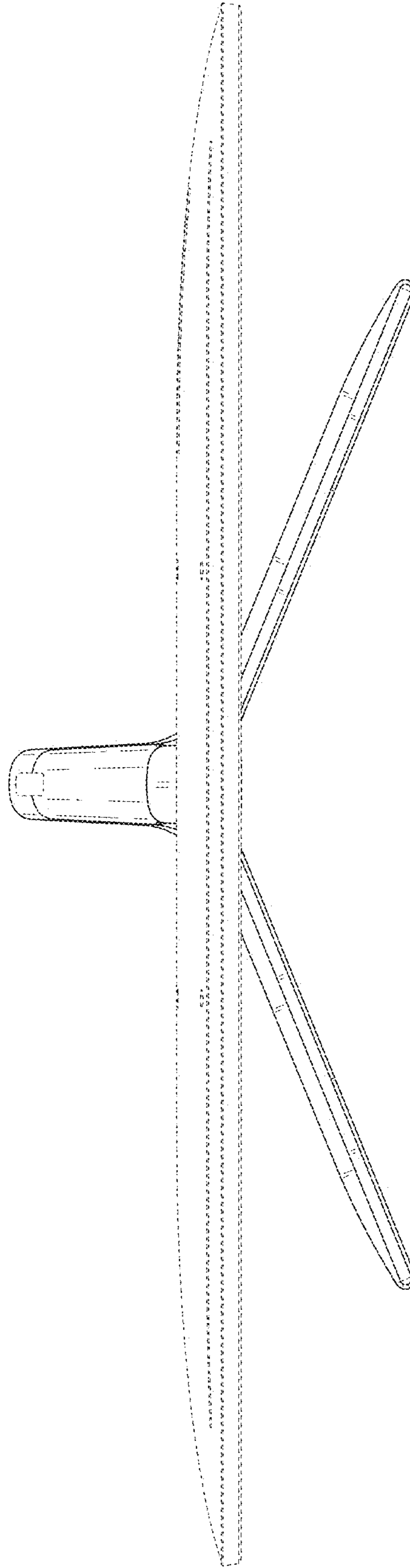


FIG. 7

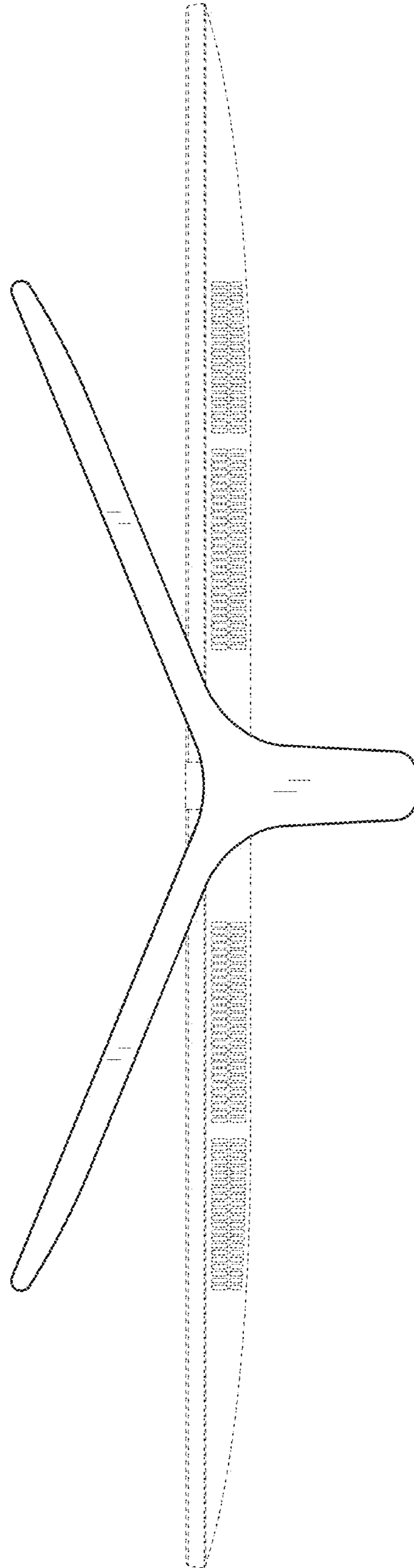


FIG. 8

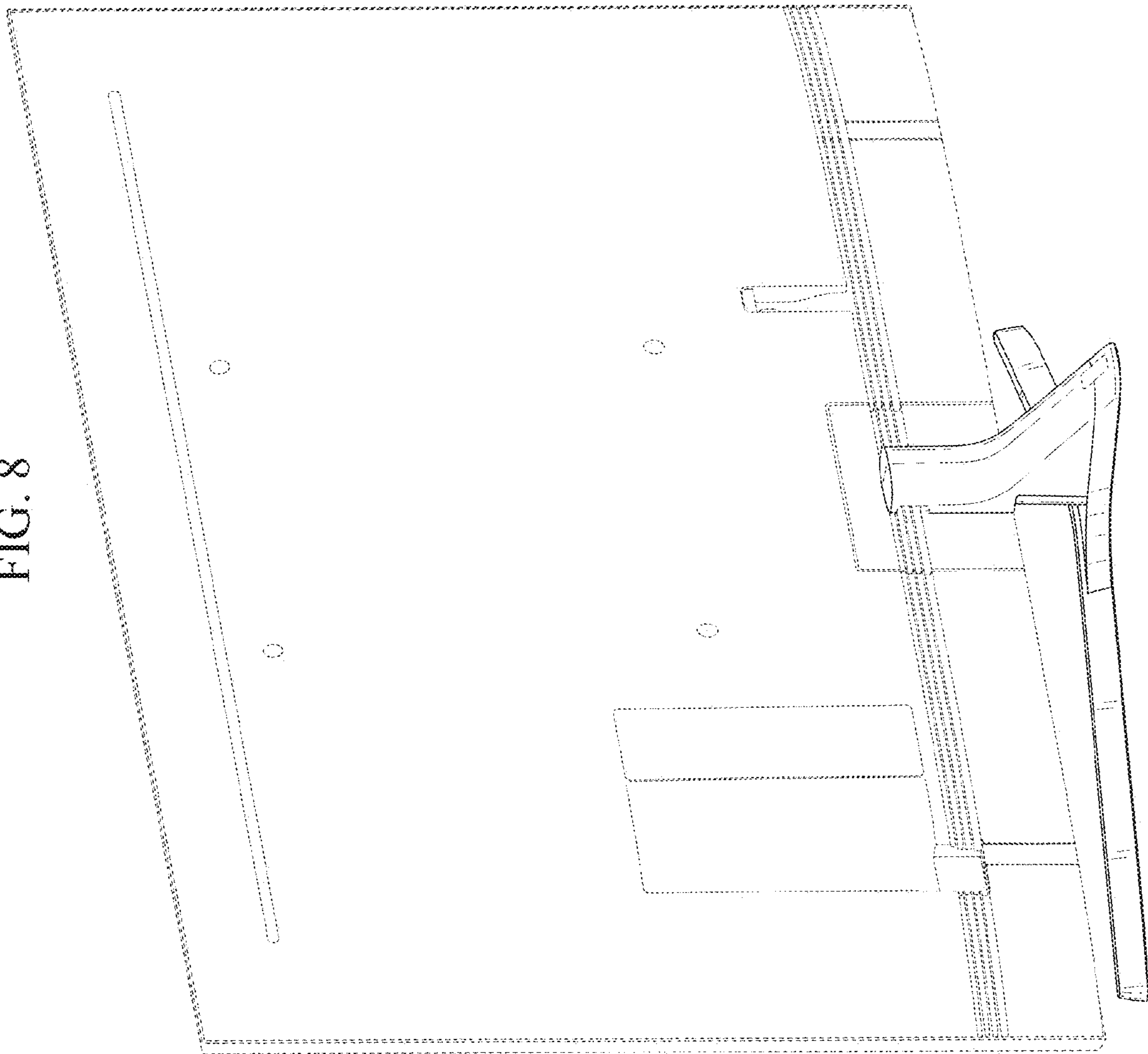


FIG. 9

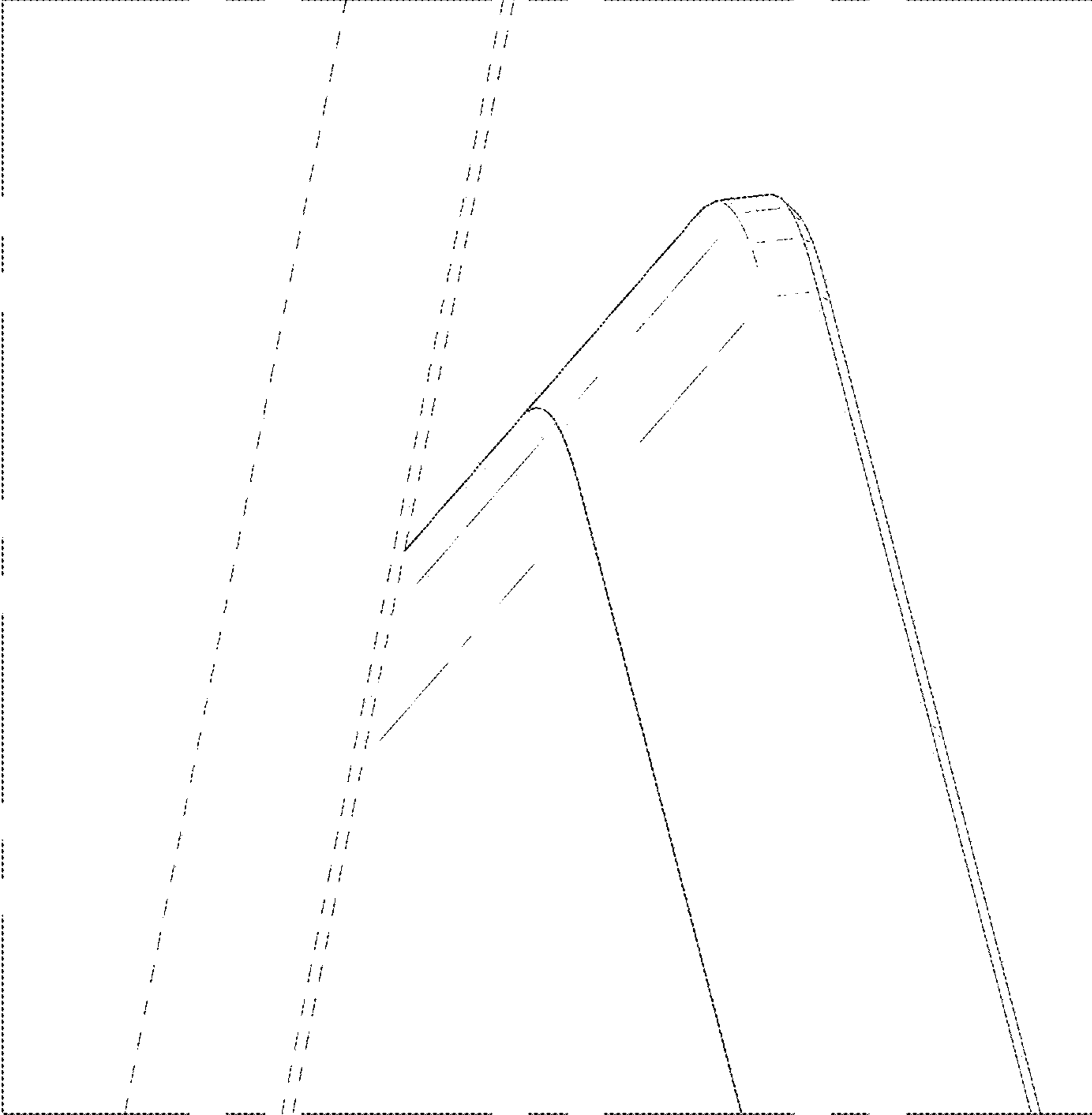


FIG. 10

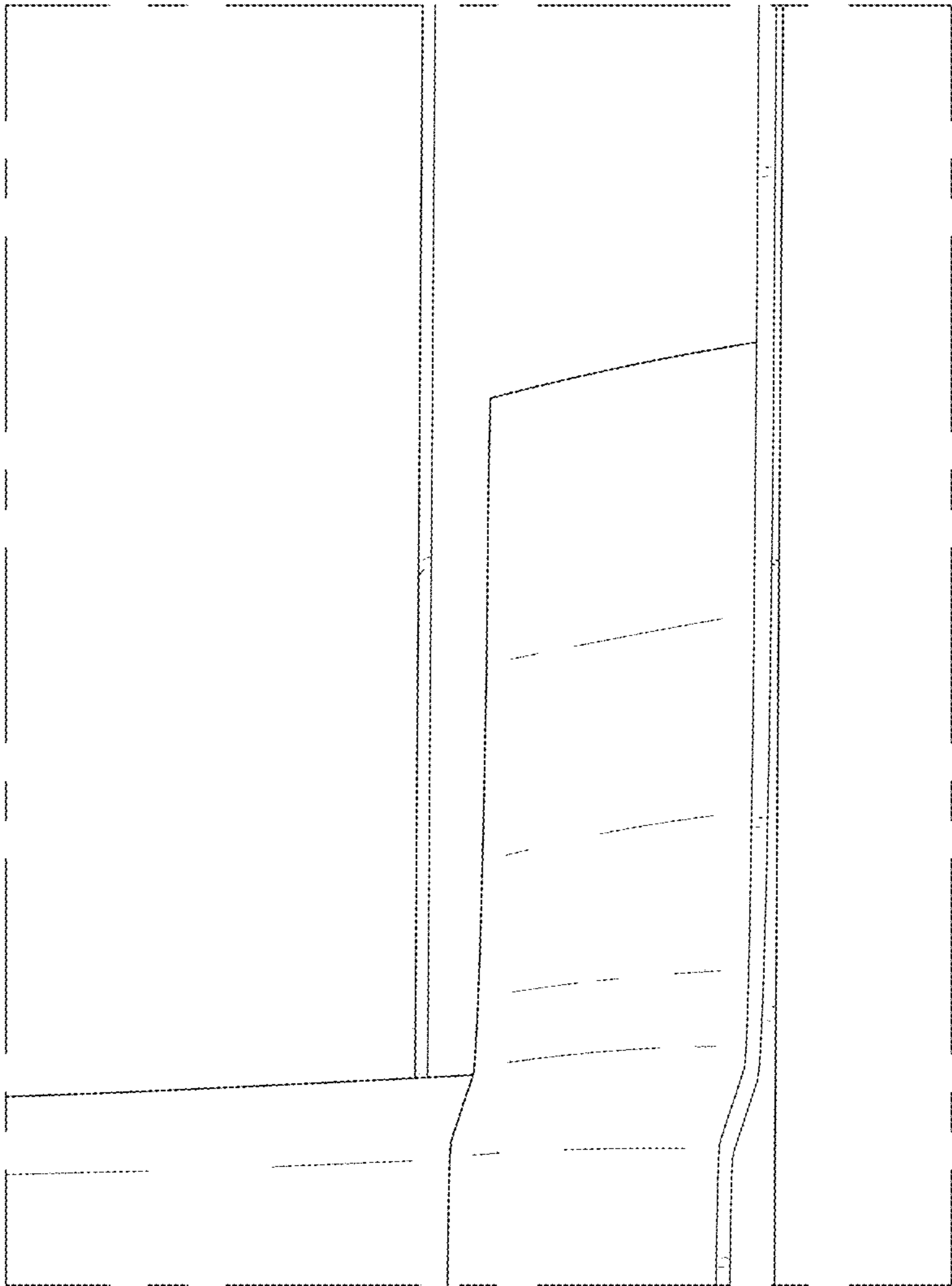


FIG. 11

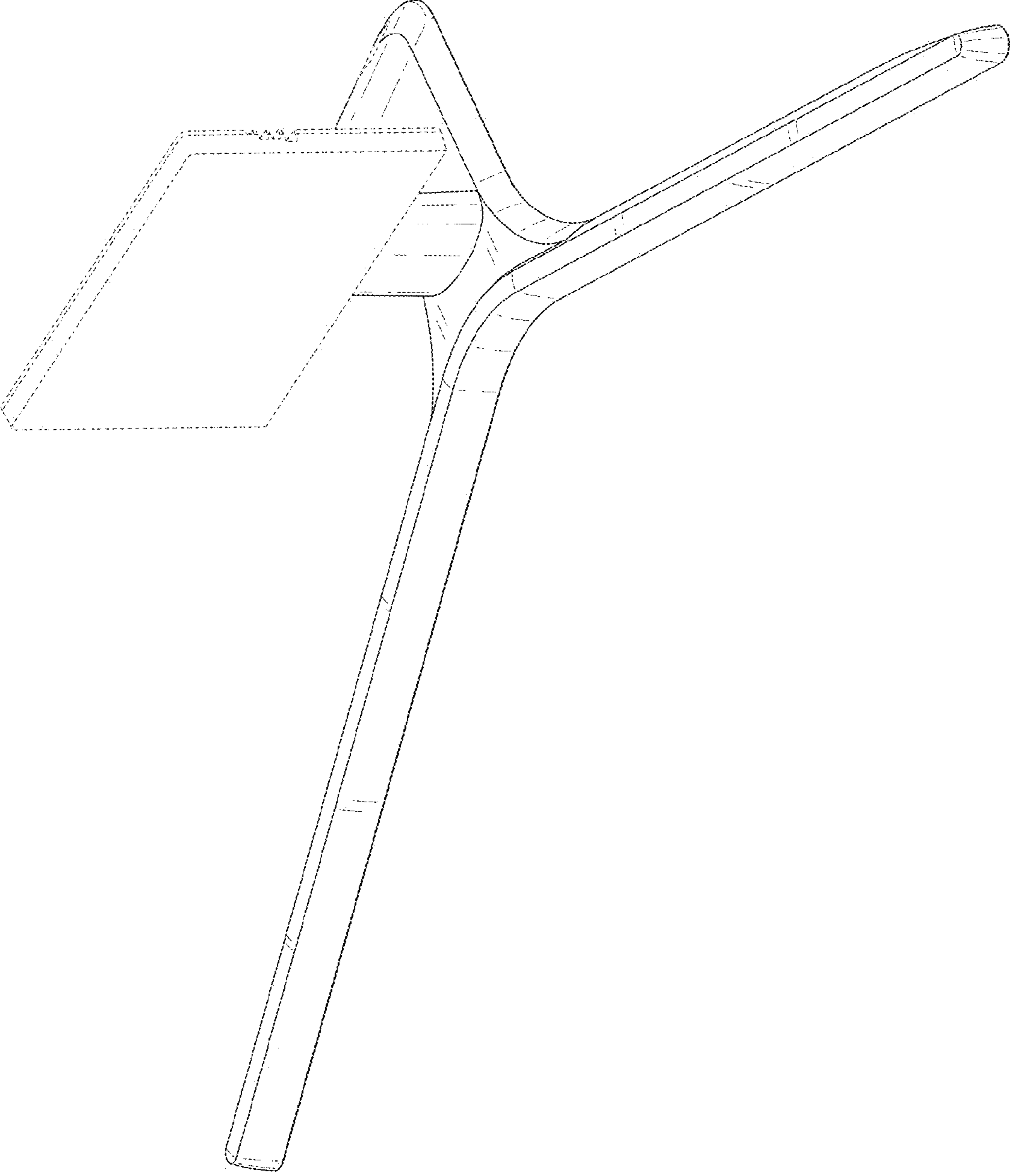


FIG. 12

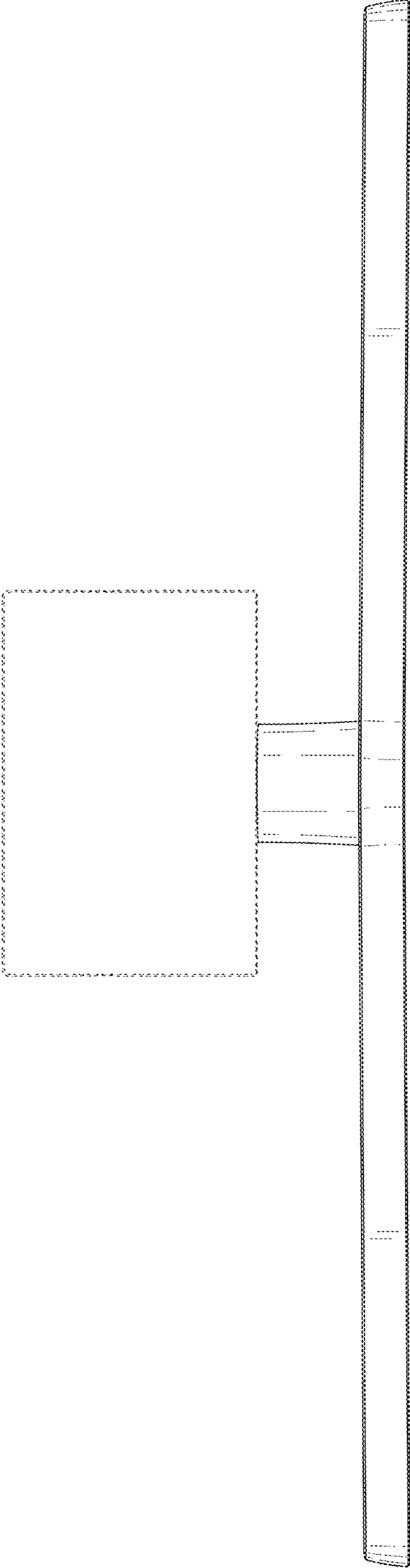


FIG. 13

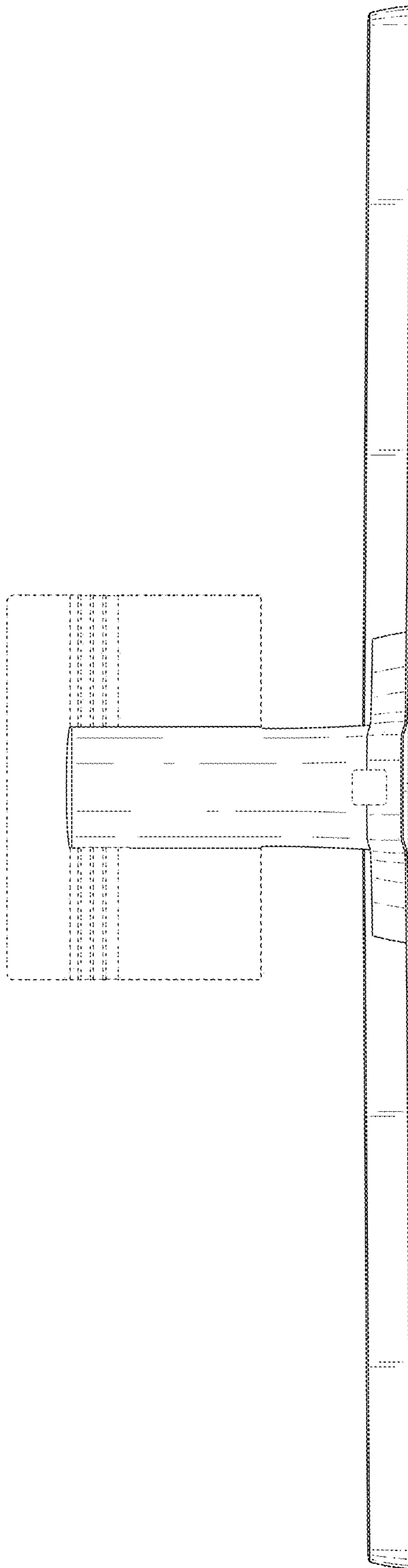


FIG. 14

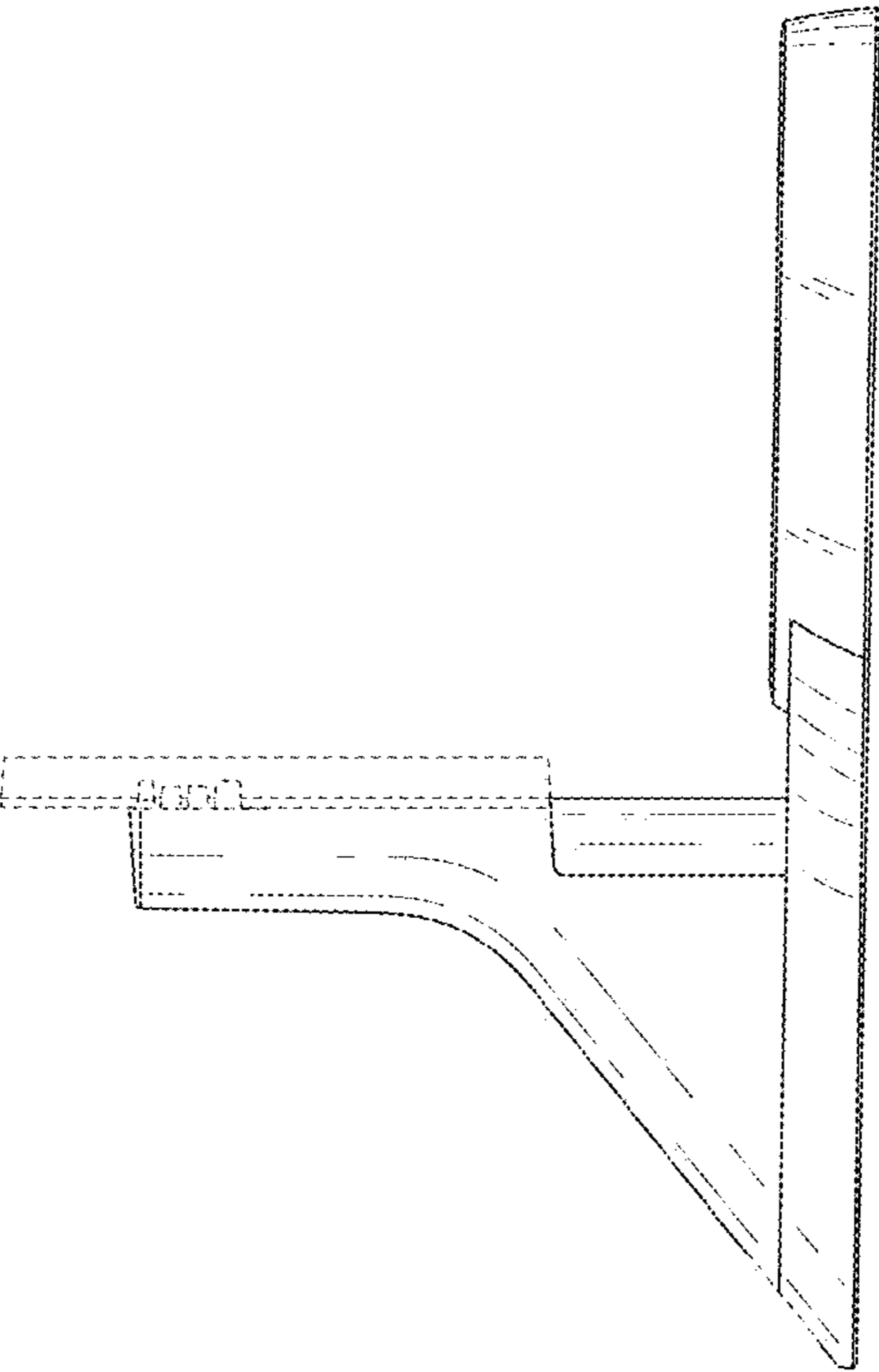


FIG. 15

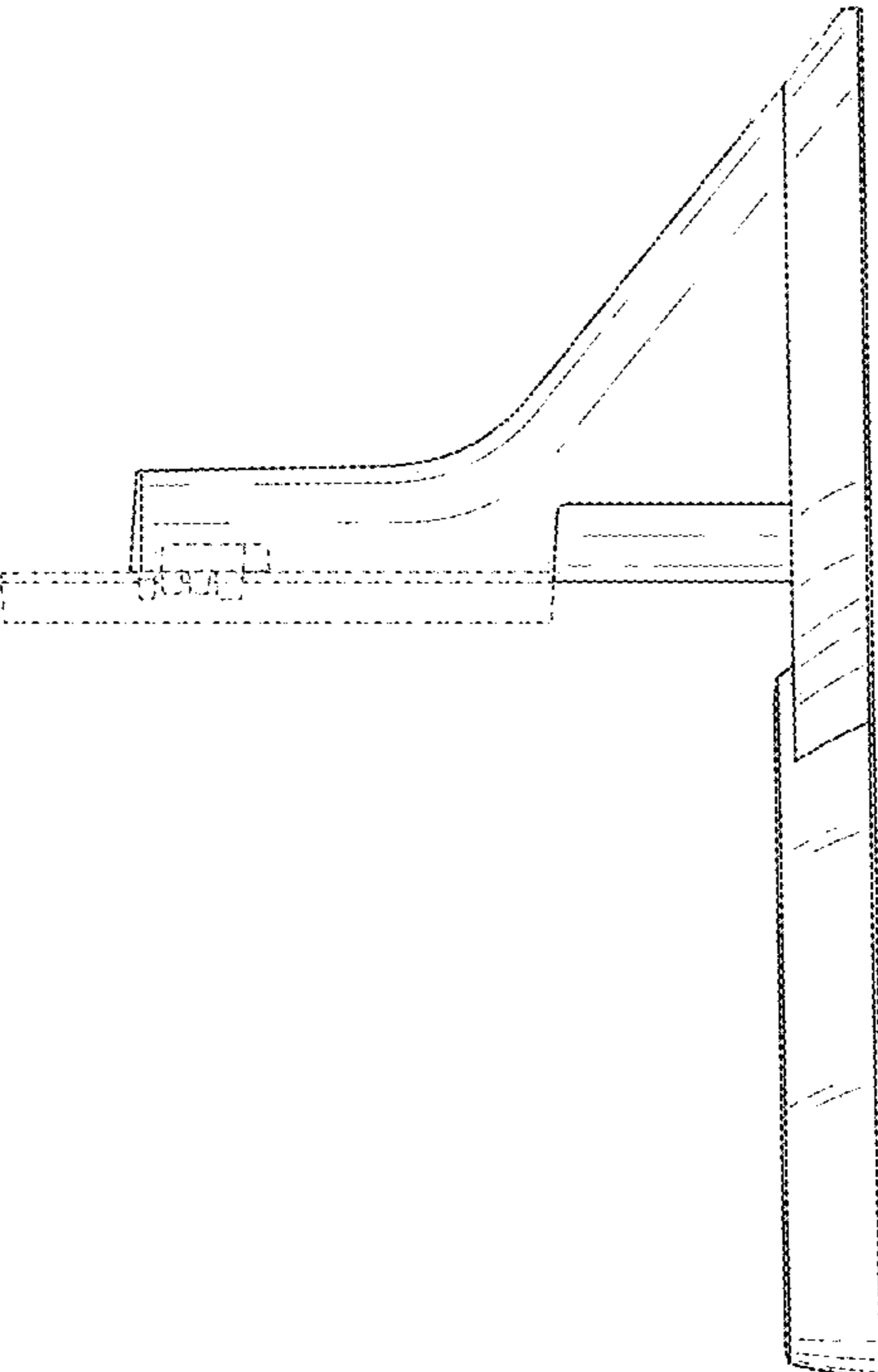


FIG. 16

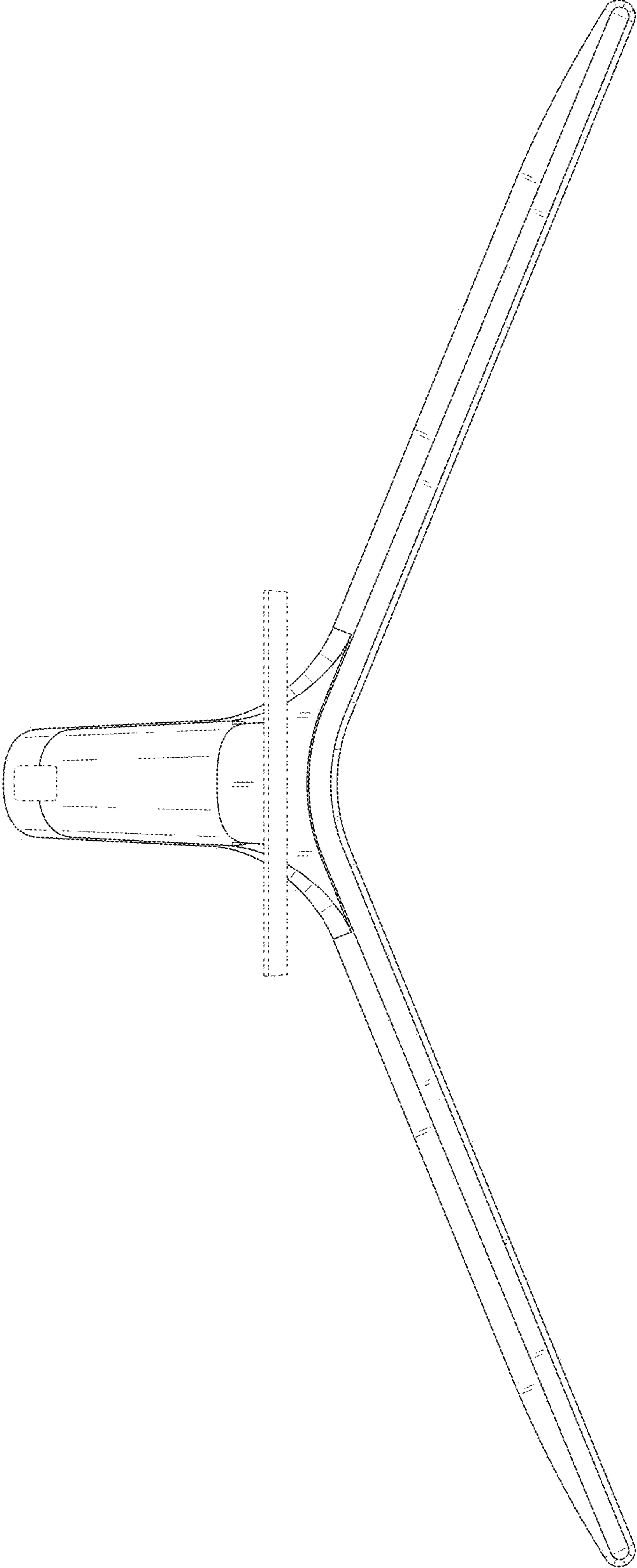
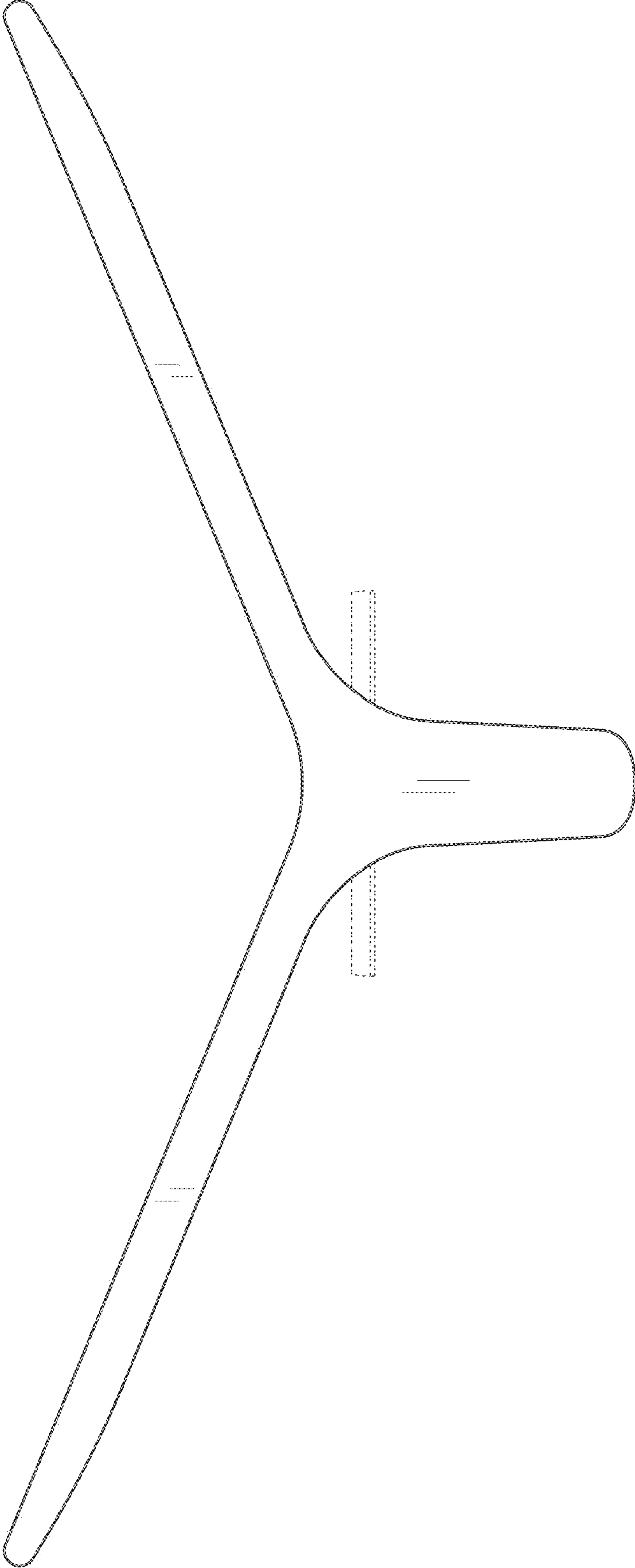


FIG. 17



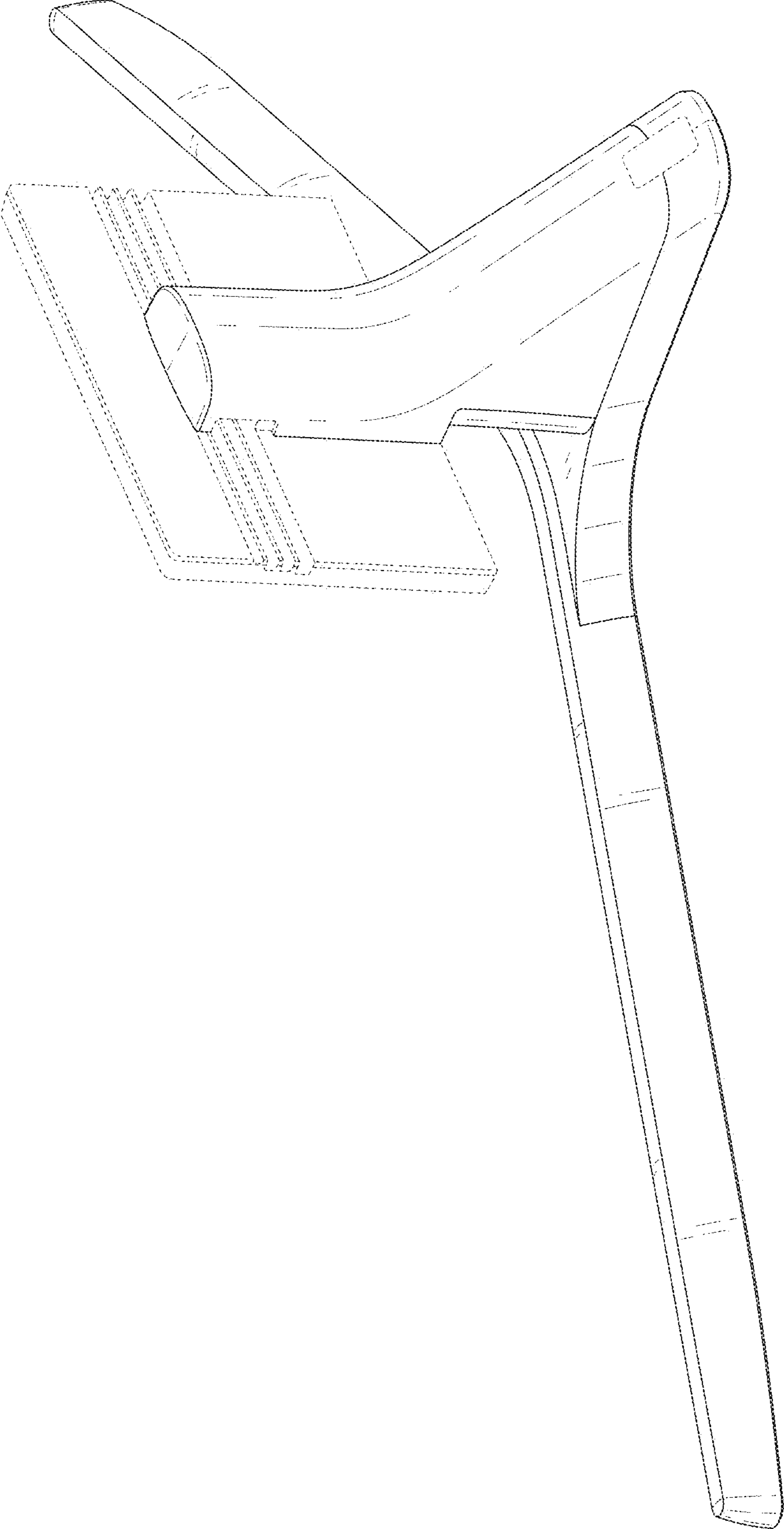


FIG. 18