



US00D888693S

(12) **United States Design Patent**
Ekinde et al.

(10) **Patent No.:** **US D888,693 S**
(45) **Date of Patent:** **** Jun. 30, 2020**

- (54) **SPEAKER BASKET ENCLOSURE**
- (71) Applicant: **Club Car, LLC**, Evans, GA (US)
- (72) Inventors: **Kingsley N. Ekinde**, Evans, GA (US);
Benjamin Gillin Braun, Evans, GA (US); **James Michael Fulford**, Evans, GA (US); **Robert H. Edwards**, Martinez, GA (US); **Bruce Tenerowicz**, Evans, GA (US); **Samuel Crawford**, Evans, GA (US); **Prosper Ogonga**, Martinez, GA (US)
- (73) Assignee: **Club Car, LLC**, Evans, GA (US)
- (**) Term: **15 Years**
- (21) Appl. No.: **29/662,734**
- (22) Filed: **Sep. 7, 2018**
- (51) **LOC (12) Cl.** **14-01**
- (52) **U.S. Cl.**
USPC **D14/224**
- (58) **Field of Classification Search**
USPC ... D14/204, 209, 209.1, 210, 211, 217, 221, D14/222, 224, 137, 229, 251, 168, 149, D14/253, 466; D6/682, 675.1, 672, 673; D12/415, 417, 418
CPC G10G 5/00; H04R 1/1091; H04R 1/1075; F16M 11/22; A47F 2007/0085; A47F 7/146; A47F 7/00; A47F 7/0028; A47F 7/0035; A47F 7/0042; A47F 5/04; A47F 5/05; B65D 85/42; A47G 25/00; A47G 25/10; A47J 47/16
See application file for complete search history.

5,310,149 A * 5/1994 Struthers H04R 1/026
181/150
D458,916 S * 6/2002 Tolbert D14/157
D507,258 S * 7/2005 Hussaini D14/214
D530,310 S * 10/2006 Tsai D14/215
(Continued)

OTHER PUBLICATIONS

Tempo Connect: Food & Beverage, posted May 23, 2018 [online] 00:13, retrieved Jul. 31, 2019, retrieved from internet, <https://www.youtube.com/watch?v=8fZxkC6o6so&feature=youtu.be>.*

Primary Examiner — Michelle E. Wilson
Assistant Examiner — Messina L Smith
(74) *Attorney, Agent, or Firm* — Taft Stettinius & Hollister LLP

(57) **CLAIM**

The ornamental design for a speaker basket enclosure, as shown and described.

DESCRIPTION

FIG. 1 is a front side, perspective side view of a speaker basket enclosure showing the new design, shown in an environment of use;
FIG. 2 is a front, top, side perspective view of the speaker basket enclosure;
FIG. 3 is a front, bottom, side perspective view thereof;
FIG. 4 is a rear, top, side perspective view thereof;
FIG. 5 is a front view thereof;
FIG. 6 is a rear view thereof;
FIG. 7 is a bottom view thereof;
FIG. 8 is a top view thereof;
FIG. 9 is a right side view thereof; and,
FIG. 10 is a left side view thereof.

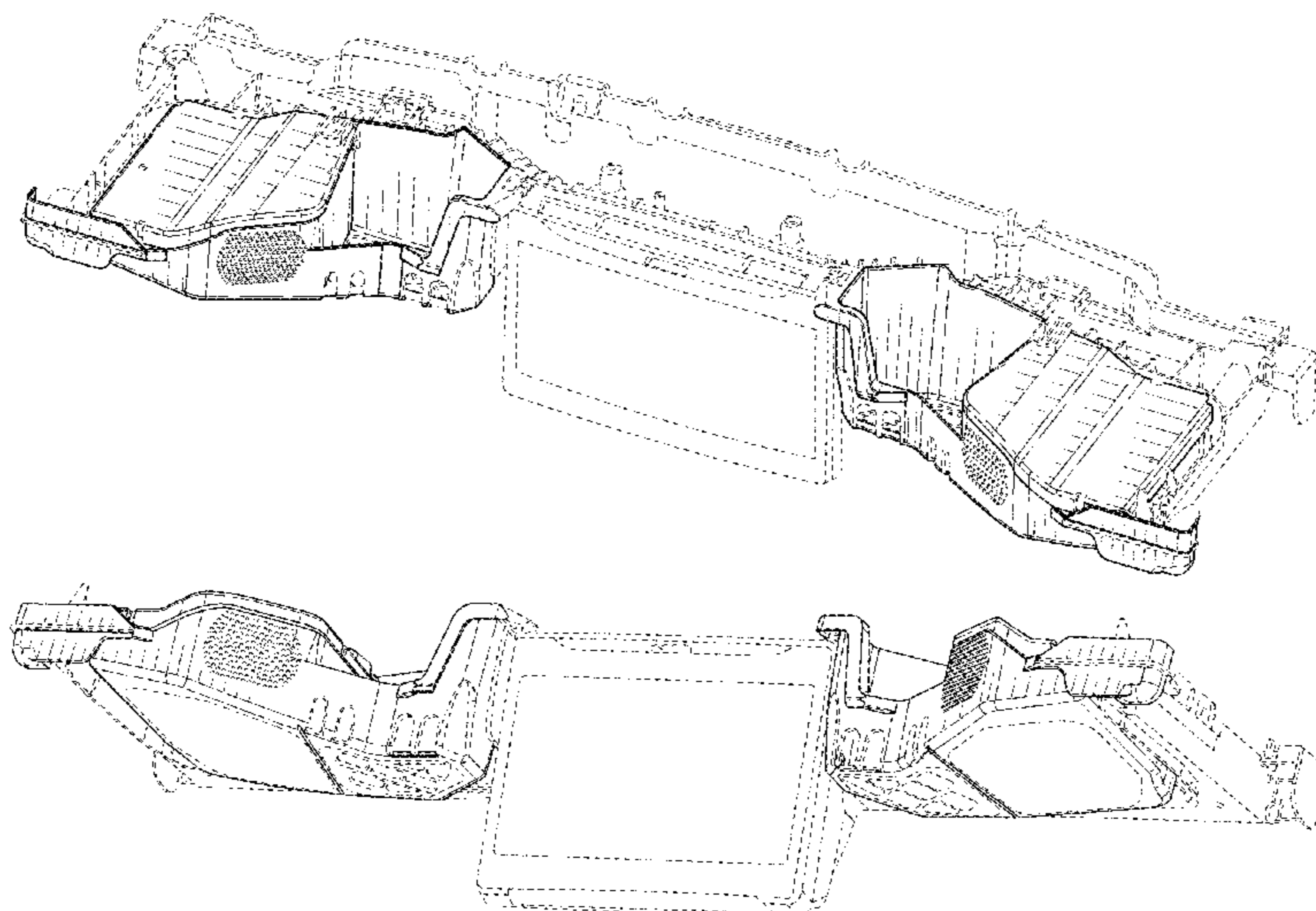
The broken line showing of a cart roof in FIG. 1 and a display screen in FIGS. 1-10 depicts environment and forms no part of the claimed design. All other broken lines depict portions of the speaker basket enclosure that form no part of the claimed design.

1 Claim, 9 Drawing Sheets

(56) **References Cited**

U.S. PATENT DOCUMENTS

- D260,628 S * 9/1981 McKeel D12/415
- 4,756,454 A * 7/1988 Villanueva B62J 7/06
224/418
- D304,033 S * 10/1989 Villanueva D14/224



(56)

References Cited

U.S. PATENT DOCUMENTS

D733,095 S * 6/2015 Pesdirz D12/114
D797,860 S * 9/2017 Ewing D14/224
9,913,044 B1 * 3/2018 O'Neal H04R 31/006
2019/0052740 A1 * 2/2019 Ormsbee B60R 11/02

* cited by examiner

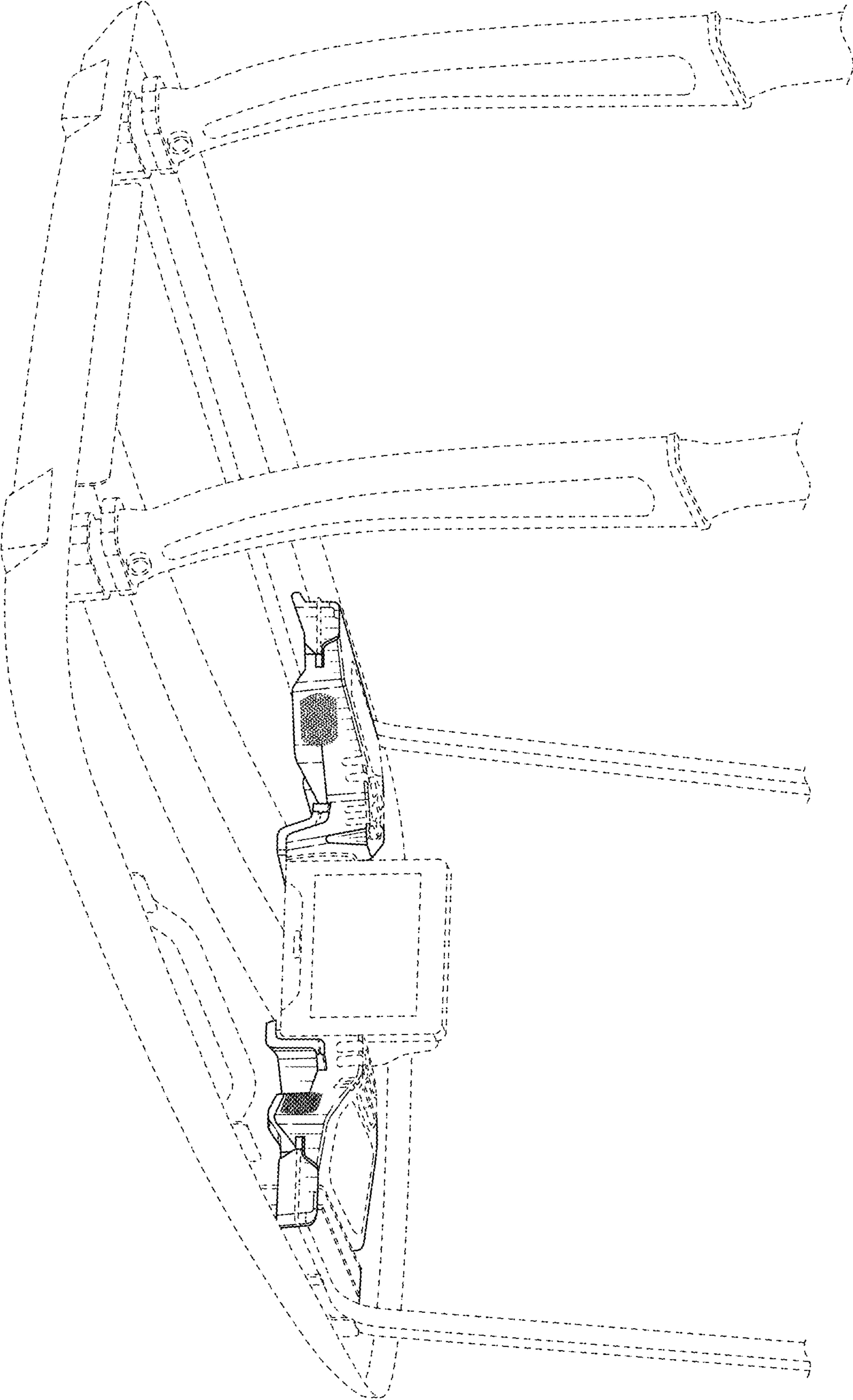


FIG. 1

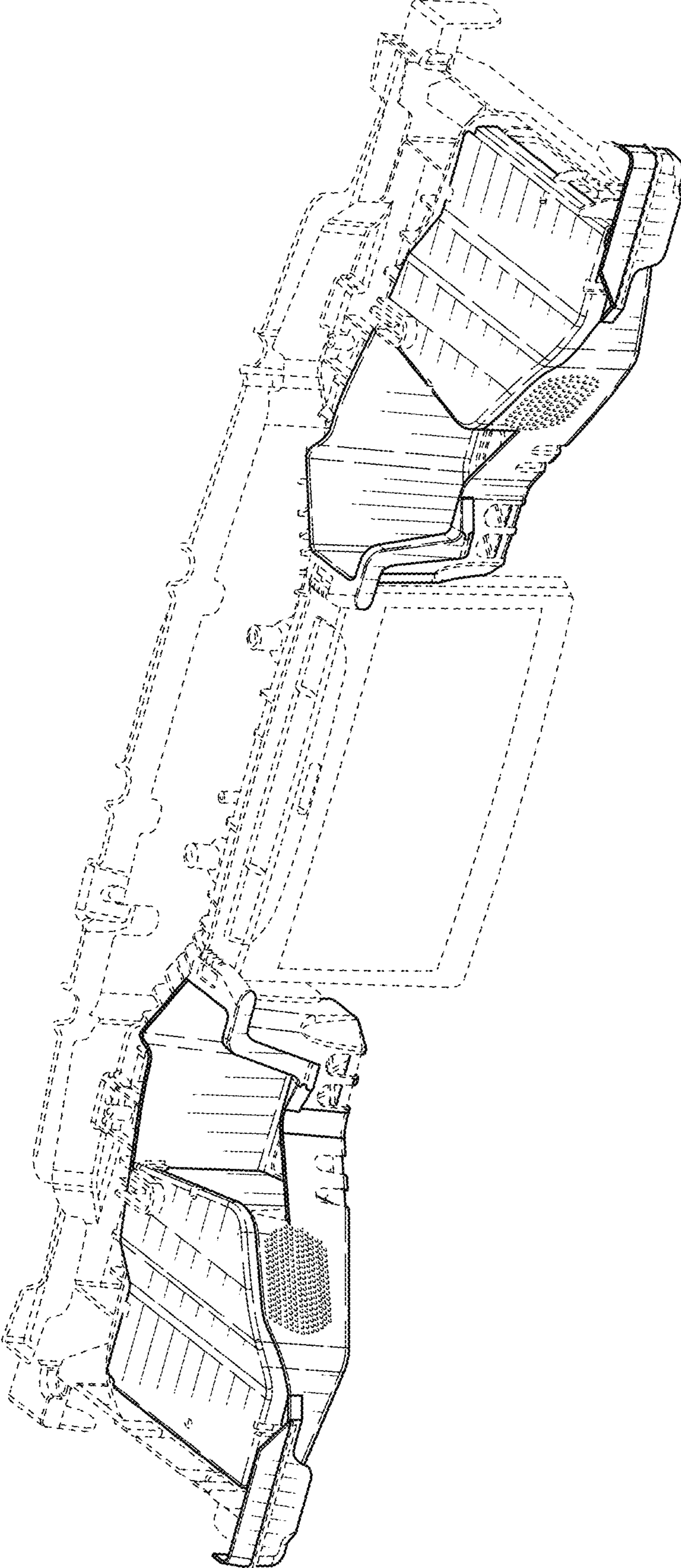


FIG. 2

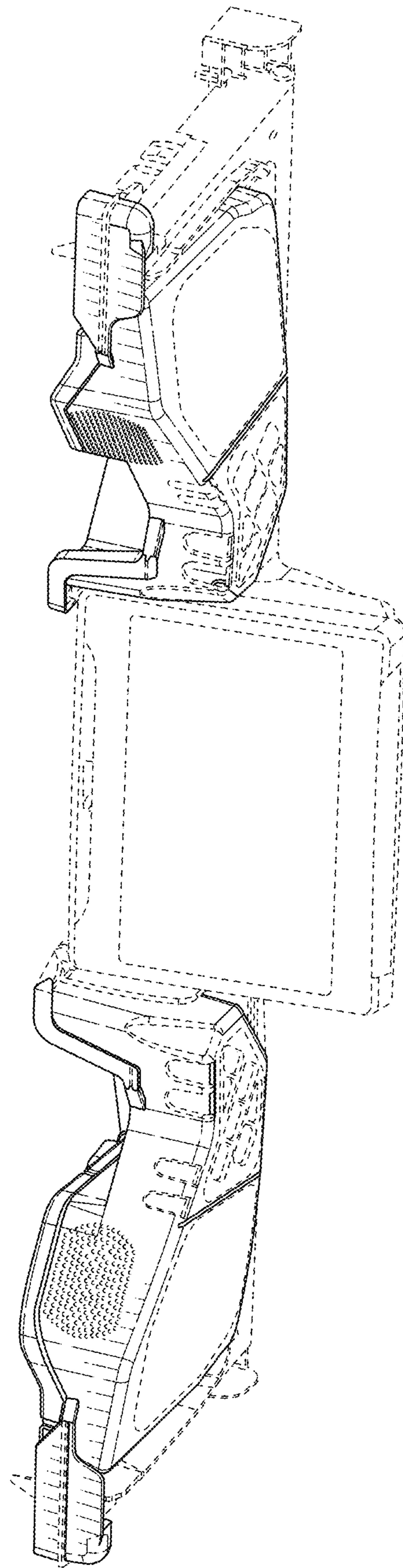


FIG. 3

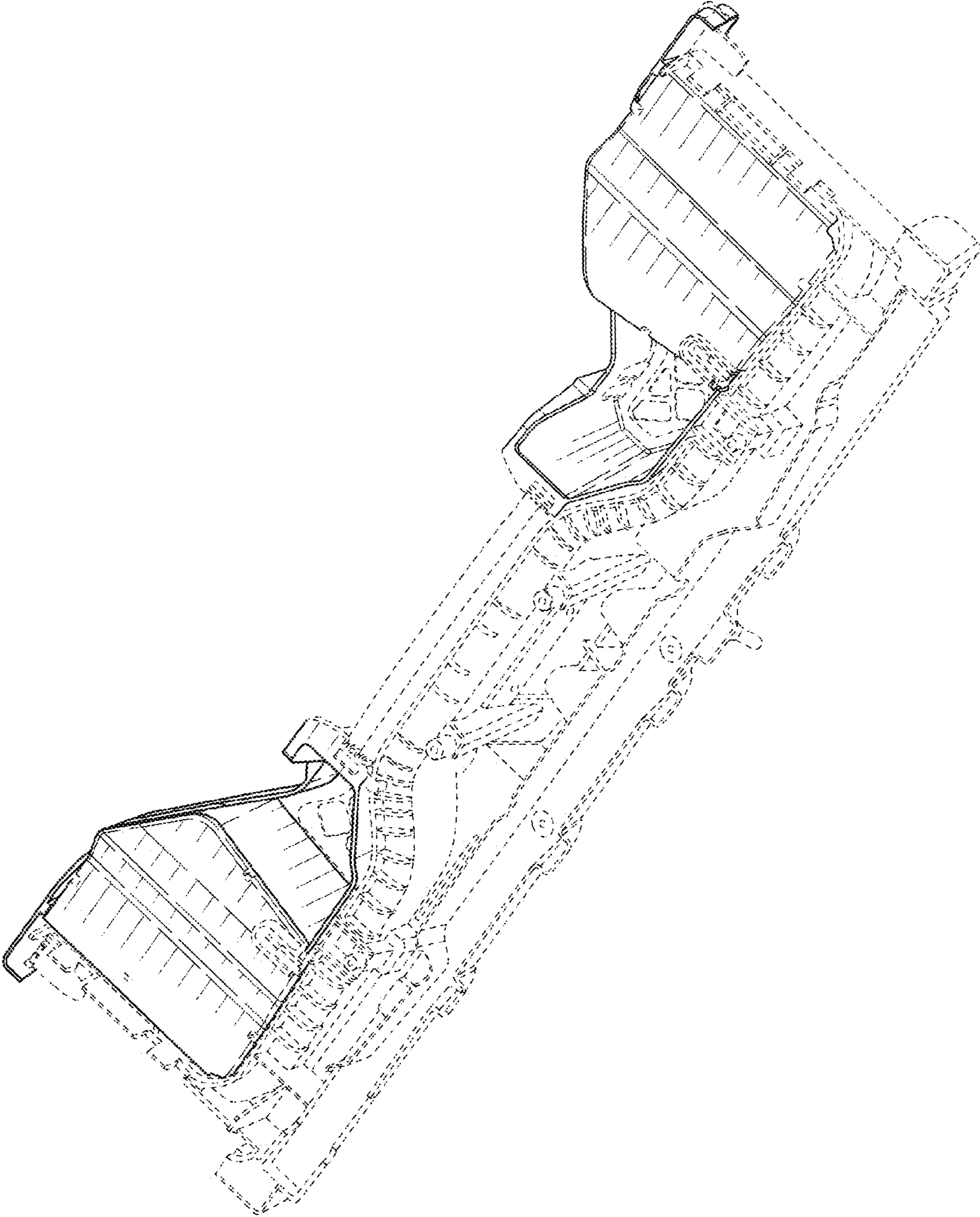


FIG. 4

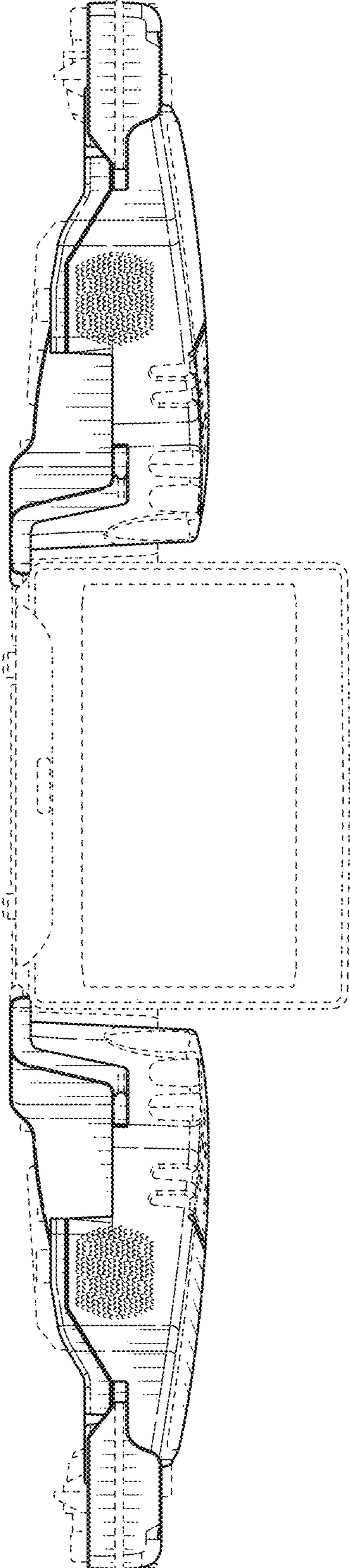


FIG. 5

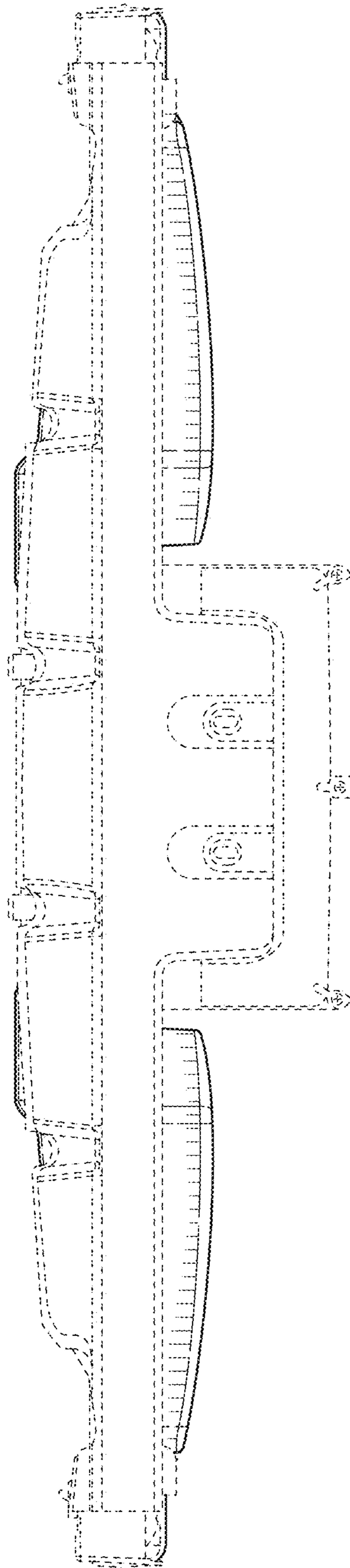


FIG. 6

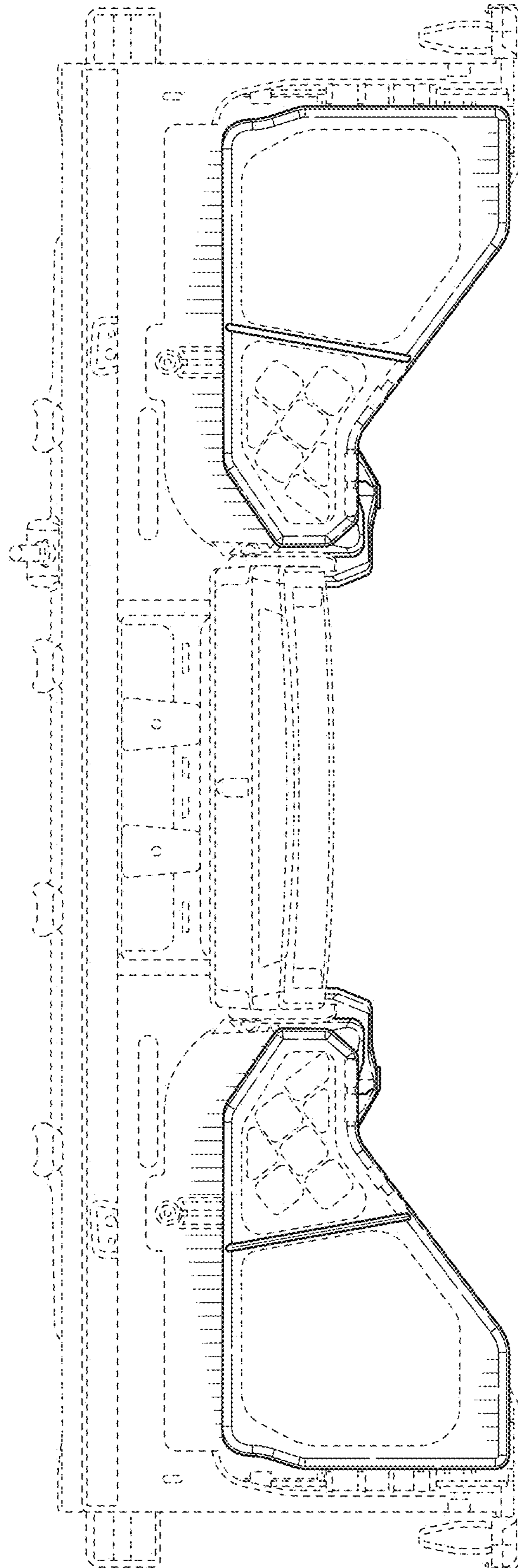


FIG. 7

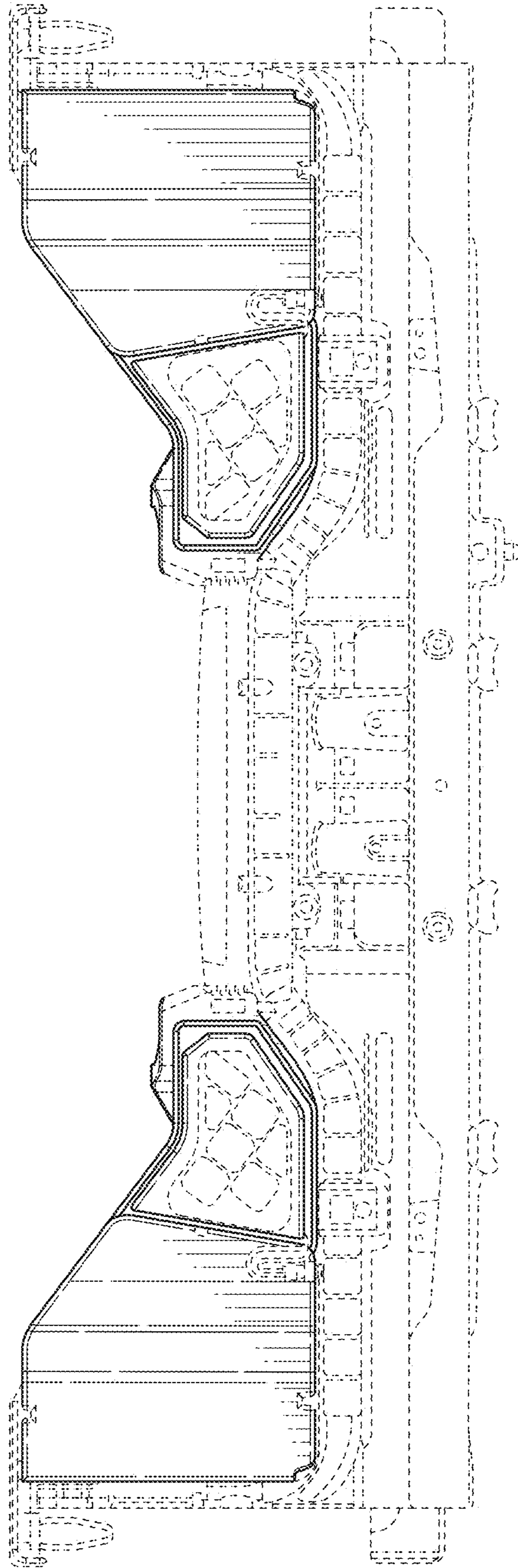


FIG. 8

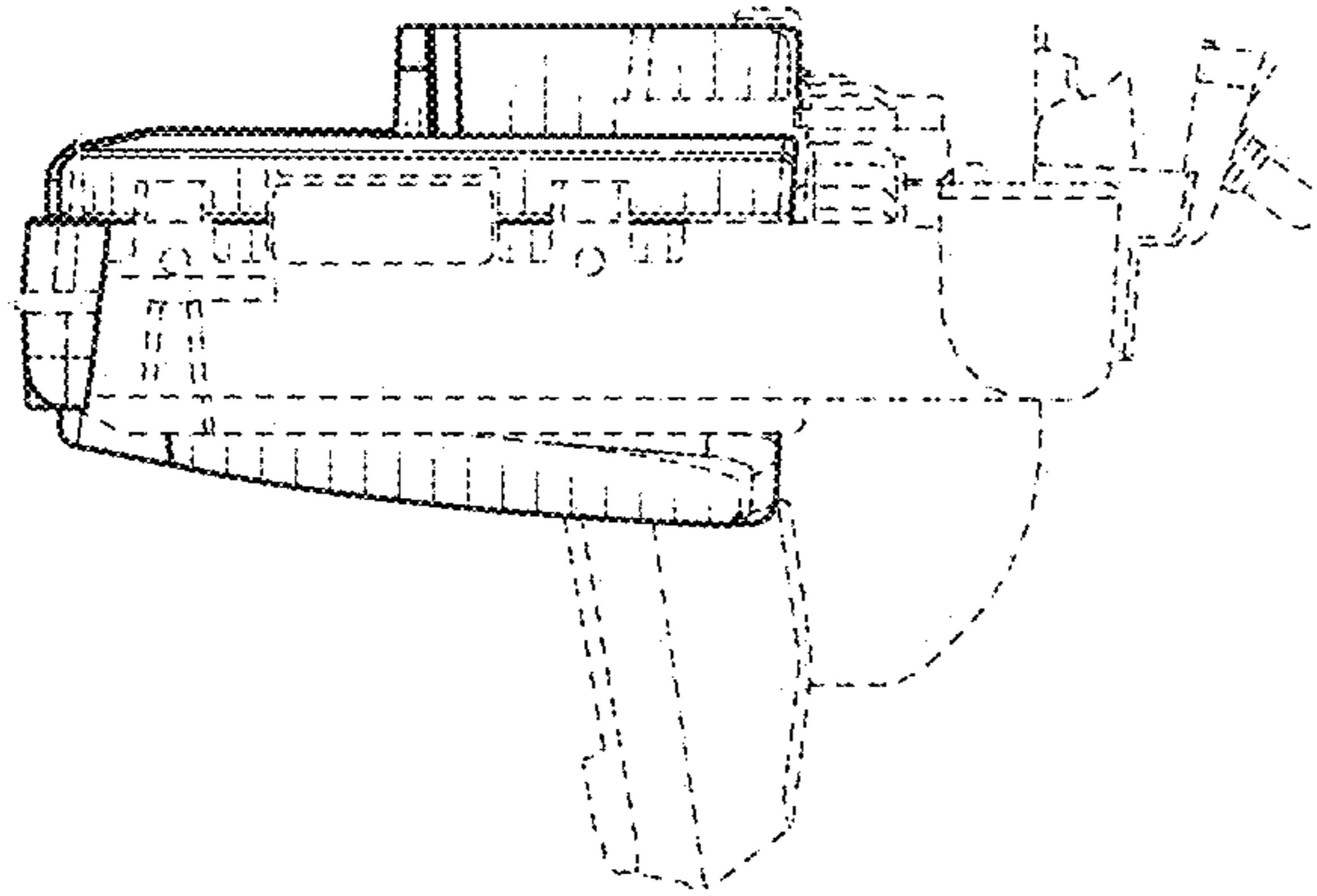


FIG. 9

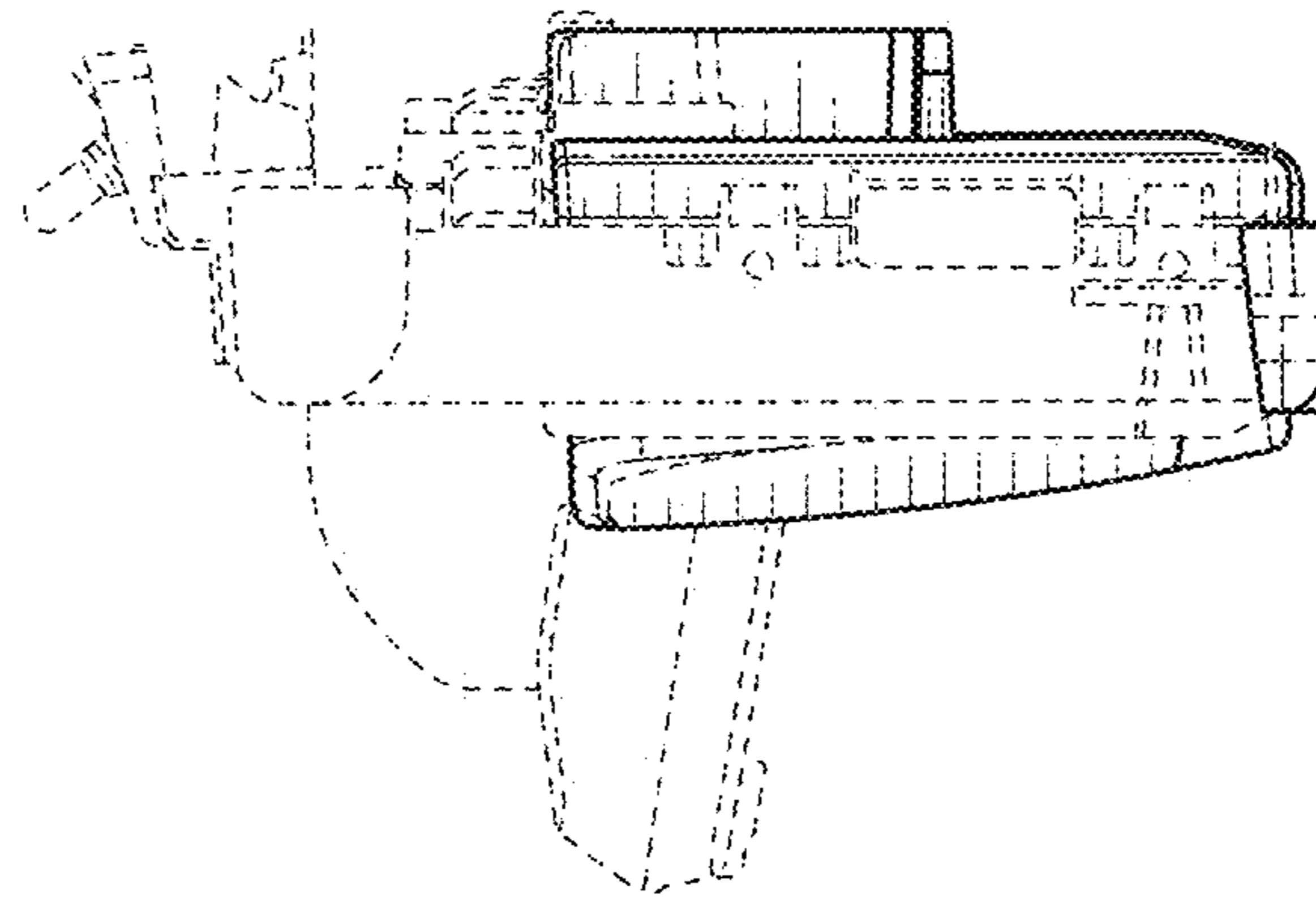


FIG. 10