



US00D888690S

(12) **United States Design Patent**
Yan

(10) **Patent No.:** **US D888,690 S**
(45) **Date of Patent:** **** Jun. 30, 2020**

(54) **BLUETOOTH EARPHONE**
(71) Applicant: **Shenzhen FuShiKe Electronic Co., Ltd, Shenzhen (CN)**
(72) Inventor: **Xiaohuang Yan, Shenzhen (CN)**
(73) Assignee: **SHENZHEN FUSHIKE ELECTRONIC CO., LTD, Shenzhen (CN)**

D652,024 S *	1/2012	Quek	D14/223
D662,493 S *	6/2012	Chen	D14/223
D740,255 S *	10/2015	Samrelius	D14/206
D762,196 S *	7/2016	Hsieh	D14/223
D762,616 S *	8/2016	Hsieh	D14/205
D775,108 S *	12/2016	Hsieh	D14/223
D784,962 S *	4/2017	Yang	D14/223
D831,619 S *	10/2018	Matoba	D14/223
D838,258 S *	1/2019	Hsieh	D14/223
D847,794 S *	5/2019	Guo	D14/223
D848,983 S *	5/2019	Kim	D14/223

(**) Term: **15 Years**

* cited by examiner

(21) Appl. No.: **29/687,606**

Primary Examiner — Katie Jane Stofko

(22) Filed: **Apr. 15, 2019**

(57) **CLAIM**

(51) **LOC (12) Cl.** **14-01**
(52) **U.S. Cl.**
USPC **D14/223; D14/205**

The ornamental design for a Bluetooth earphone, as shown and described.

(58) **Field of Classification Search**
USPC D14/223, 205, 206; D24/174; 128/864, 128/865, 866; 181/129, 130, 135; 379/430, 431; 381/380, 381, 322-324, 381/330; 455/90.3, 575, 1, 569.1
CPC H04R 1/10; H04R 25/00; H04R 1/1016; H04R 1/1066; H04R 5/033; H04R 5/0335; H04R 1/1091; H04R 1/1058; H04R 1/105; H04R 1/1083
See application file for complete search history.

DESCRIPTION

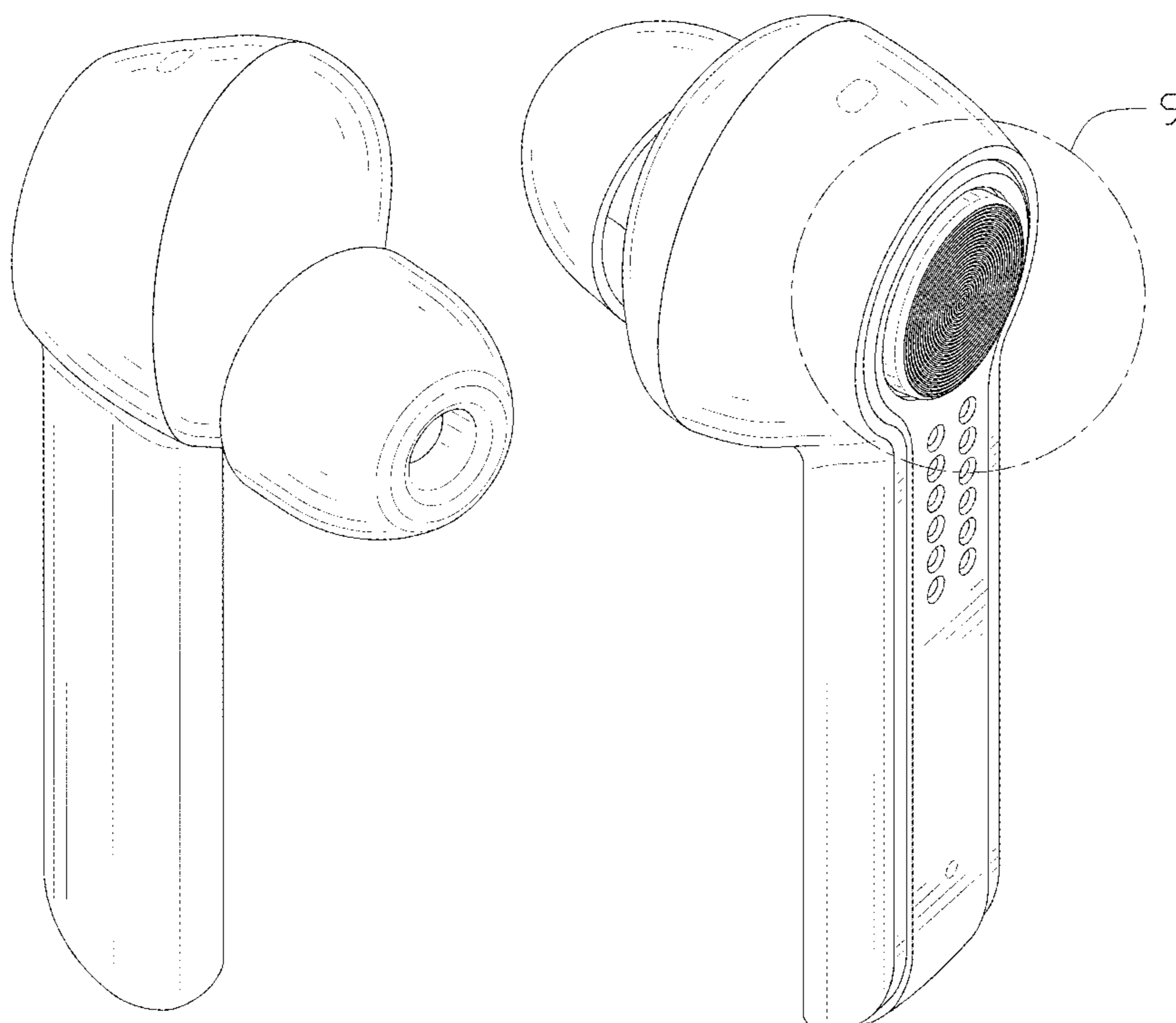
(56) **References Cited**

FIG. 1 is a front perspective view of a Bluetooth earphone showing my new design;
FIG. 2 is a rear perspective view thereof;
FIG. 3 is a front elevational view thereof;
FIG. 4 is a rear elevational view thereof;
FIG. 5 is a left side elevational view thereof;
FIG. 6 is a right side elevational view thereof;
FIG. 7 is a top plan view thereof;
FIG. 8 is a bottom plan view thereof; and,
FIG. 9 is an enlarged view of a circle portion IX of FIG. 2.
The broken lines in the drawings depict portions of the Bluetooth earphone that form no part of the claimed design.

U.S. PATENT DOCUMENTS

D604,272 S *	11/2009	Kitayama	D14/223
D623,630 S *	9/2010	Ohori	D14/223

1 Claim, 9 Drawing Sheets



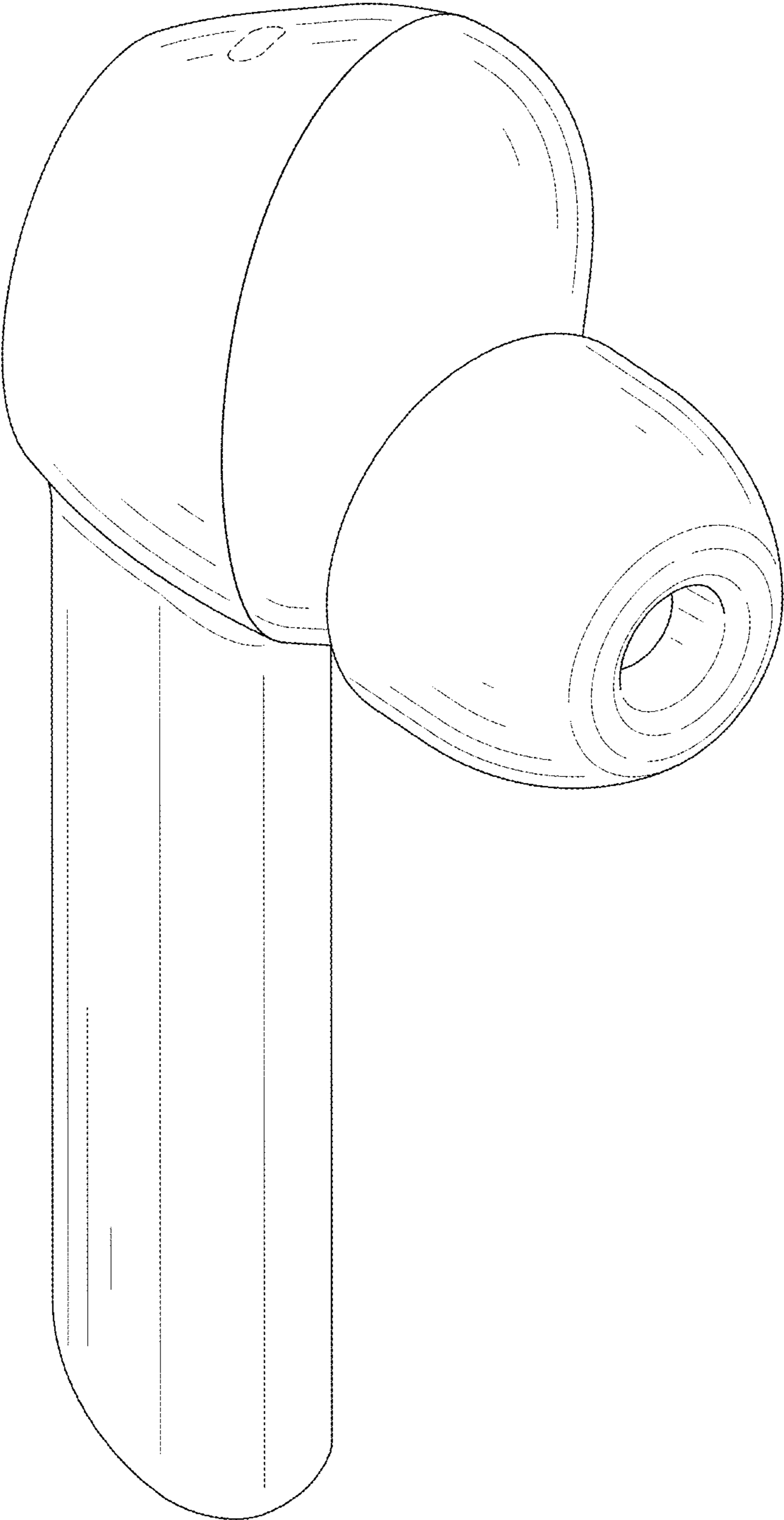


FIG. 1

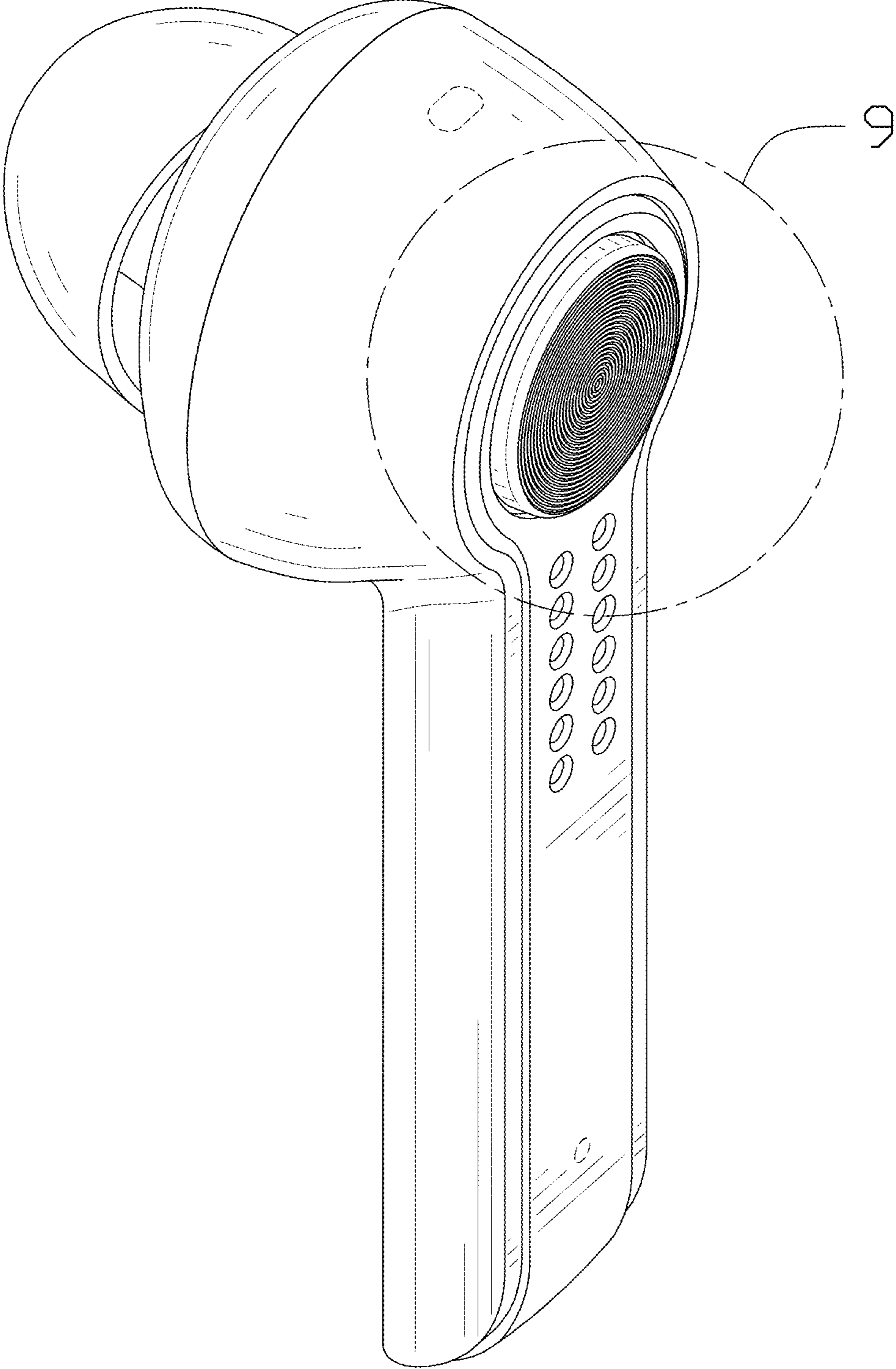


FIG. 2

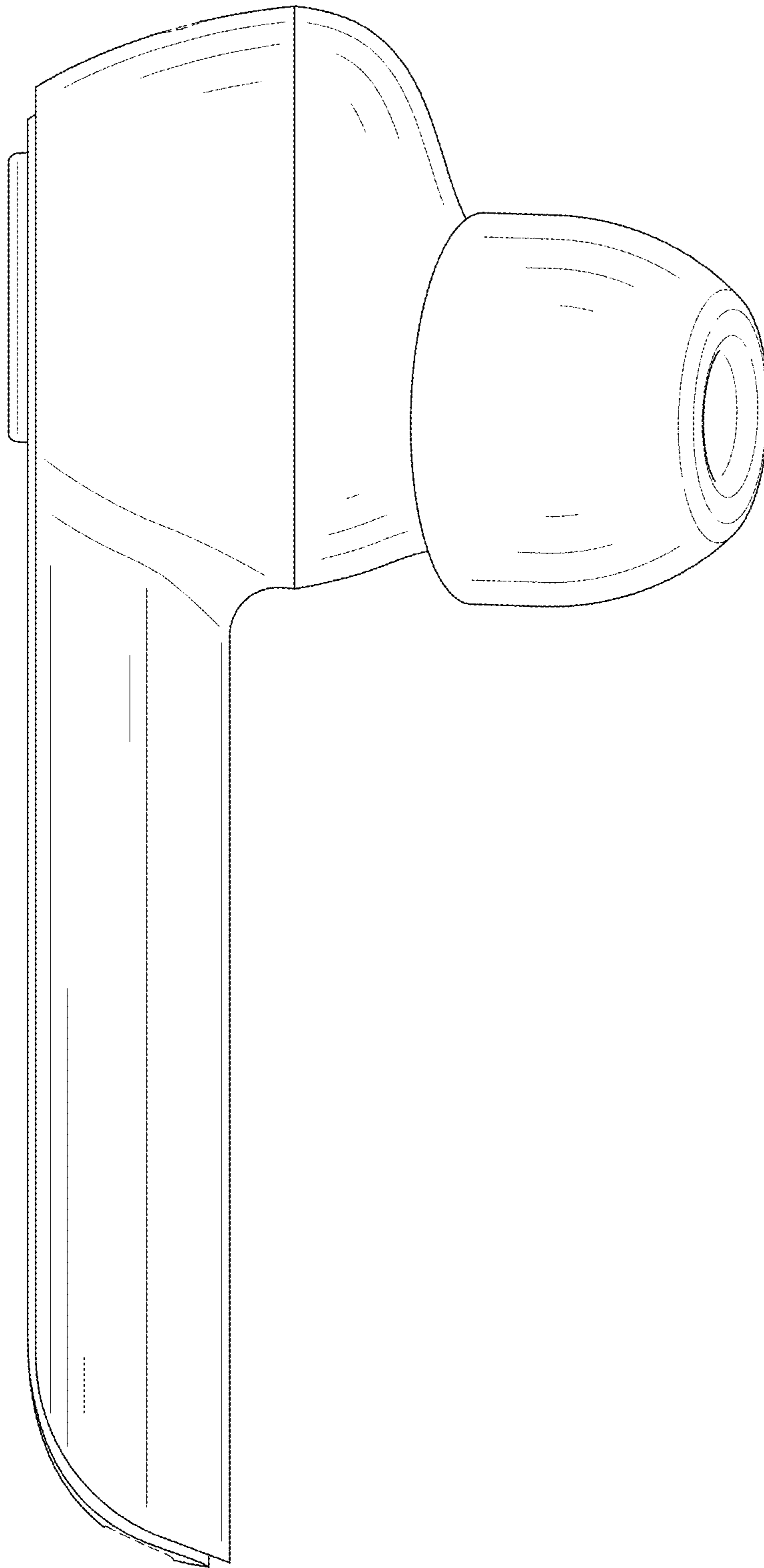


FIG. 3

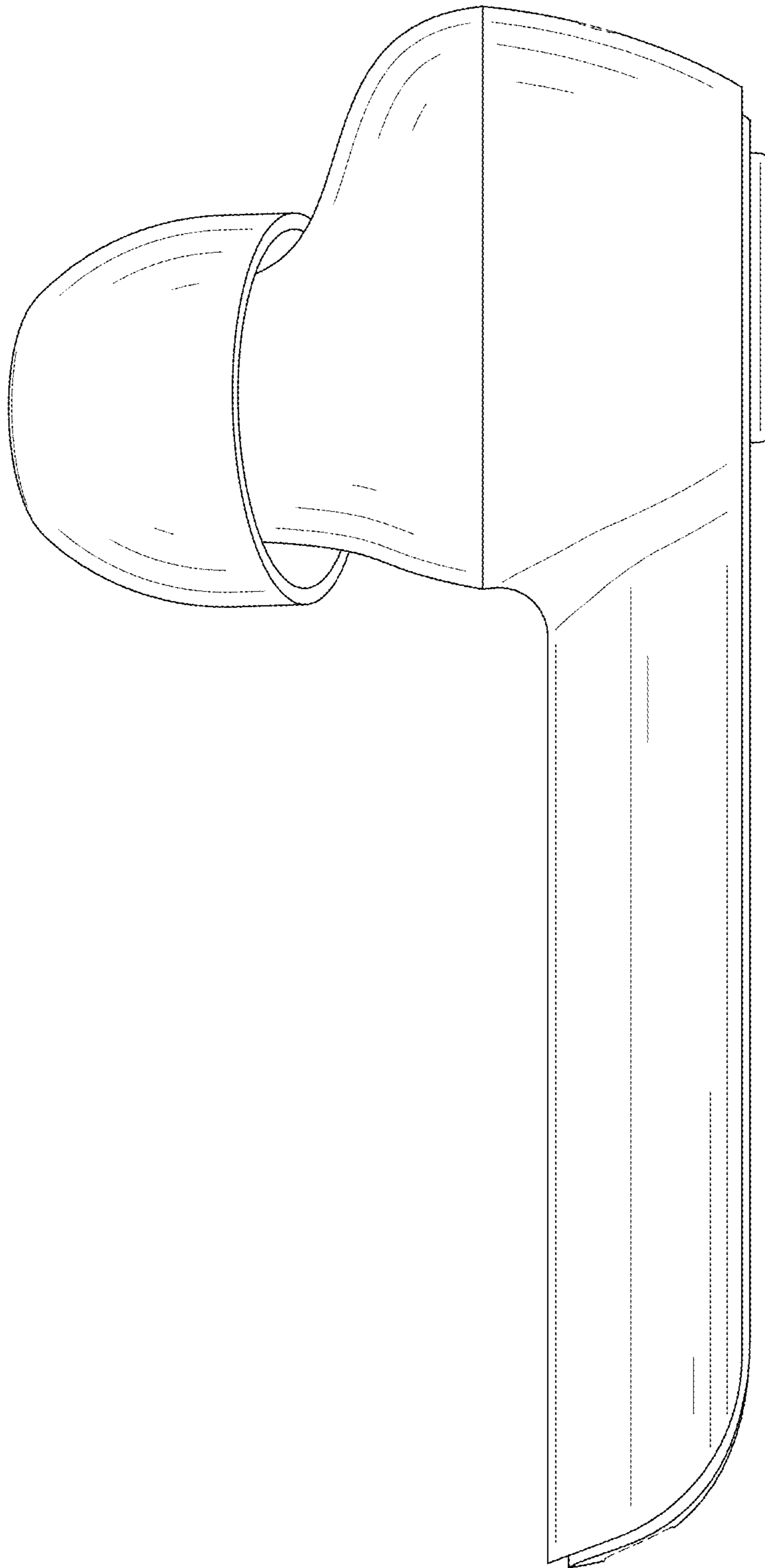


FIG. 4

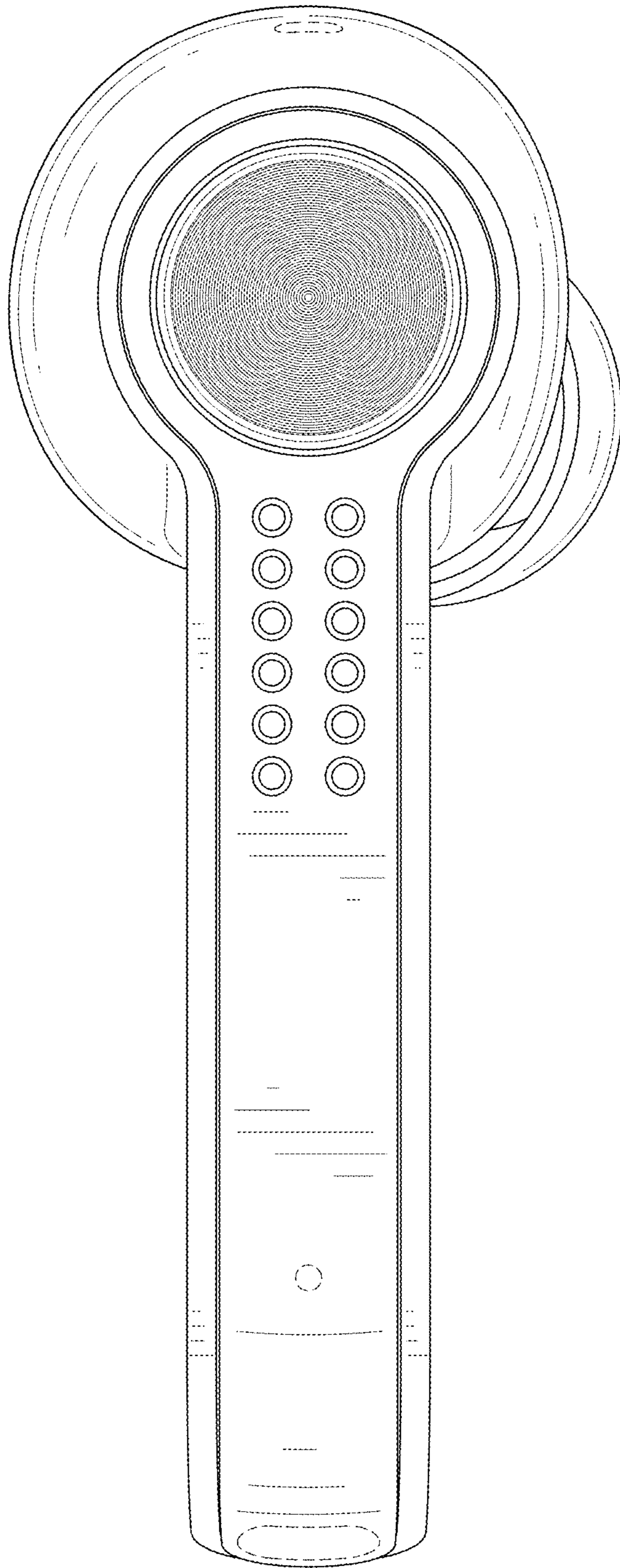


FIG. 5

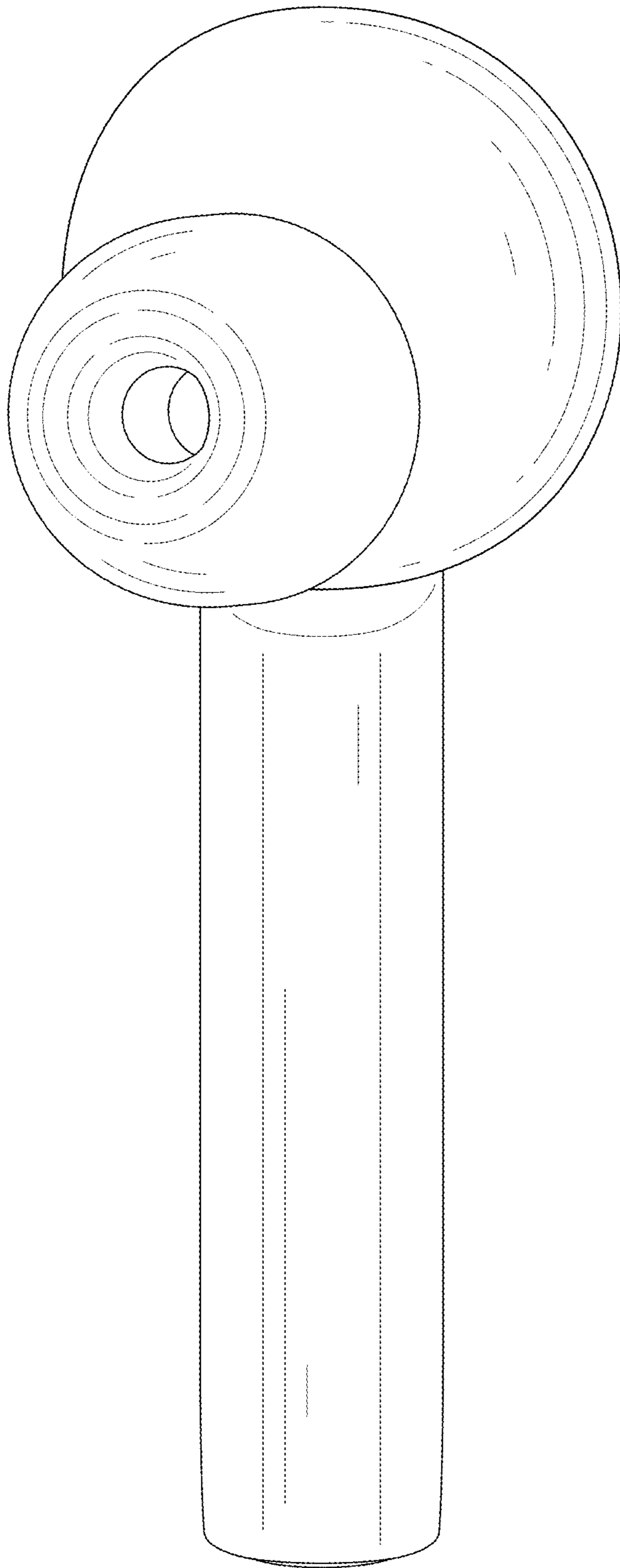


FIG. 6

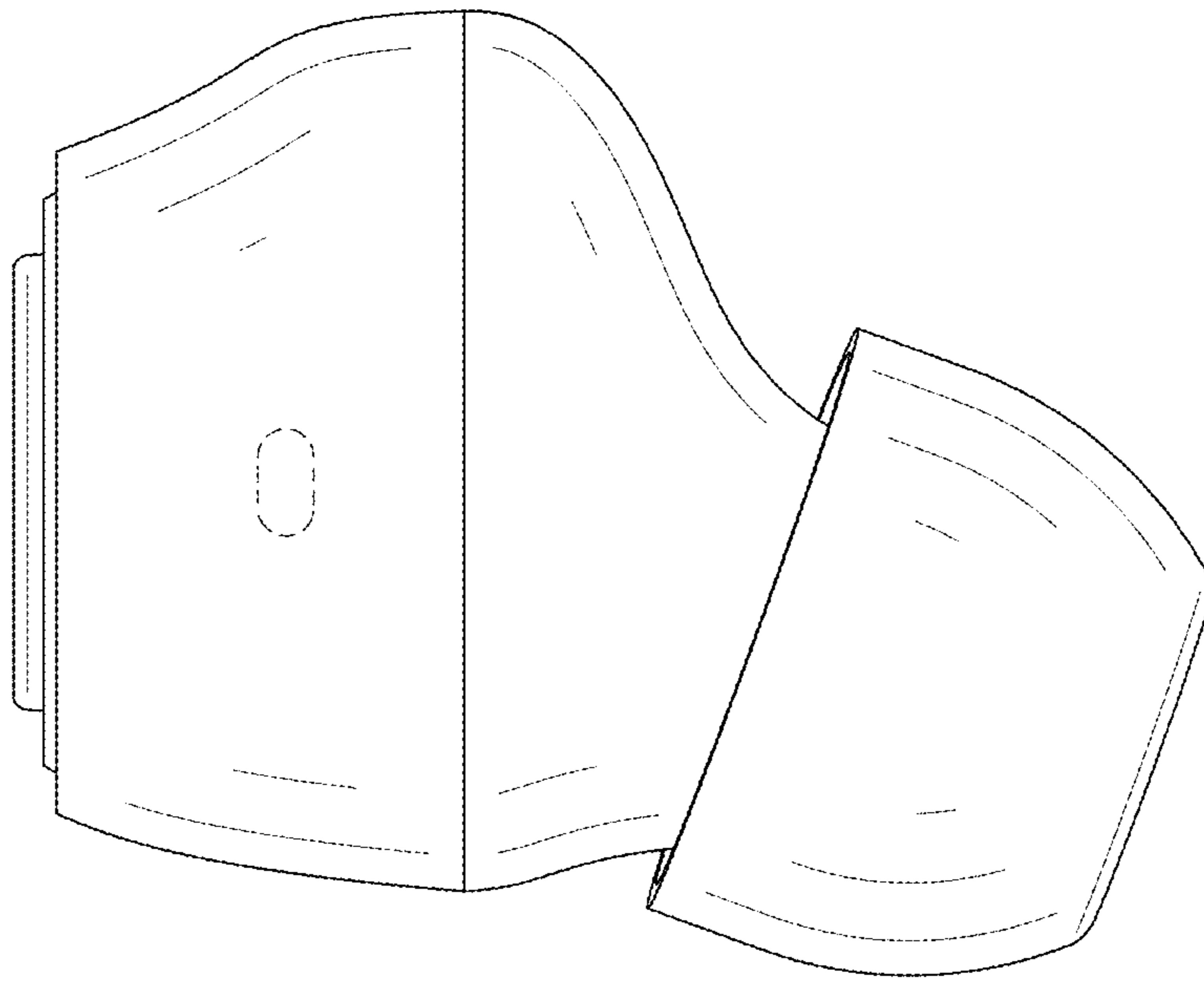


FIG. 7

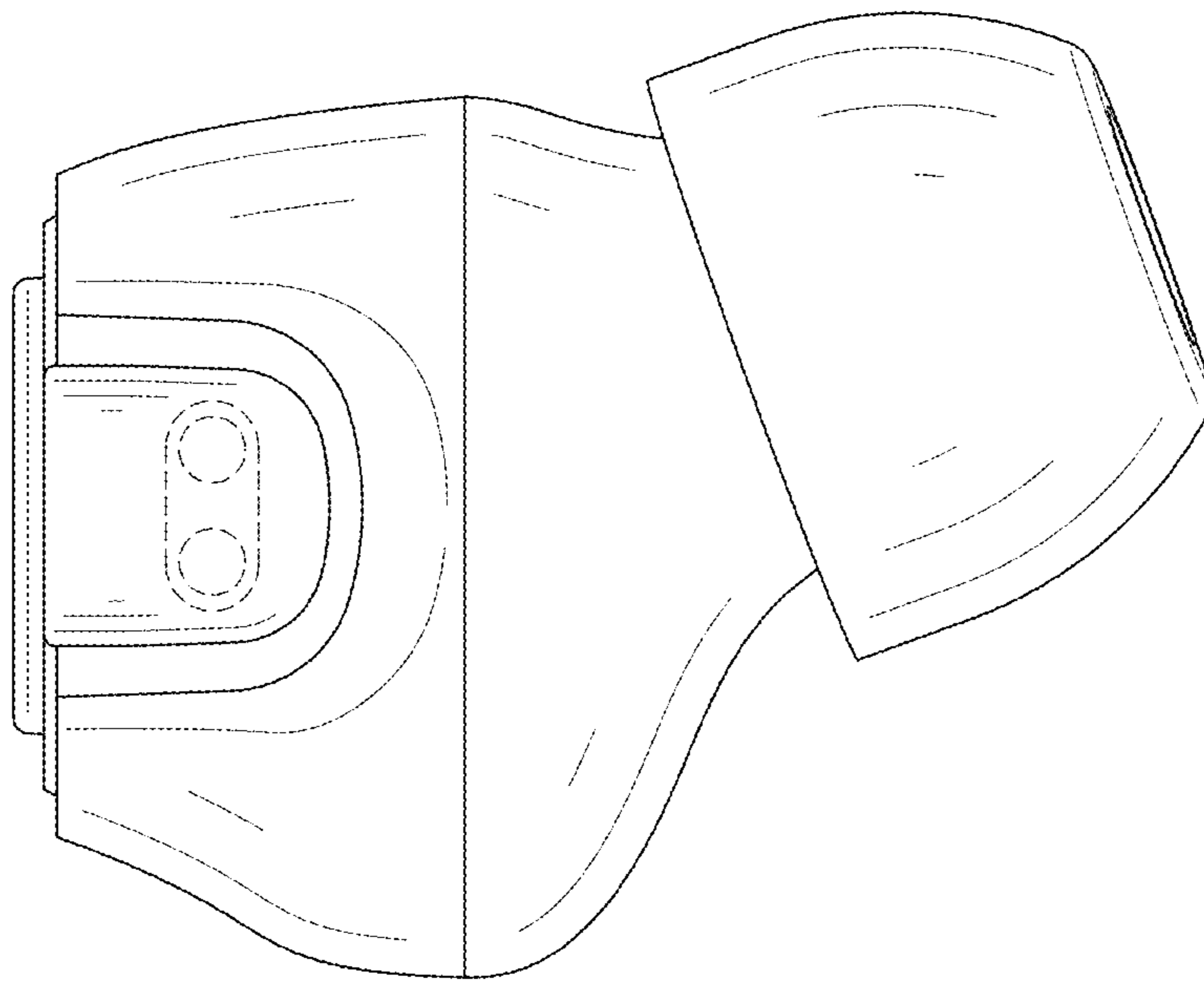


FIG. 8

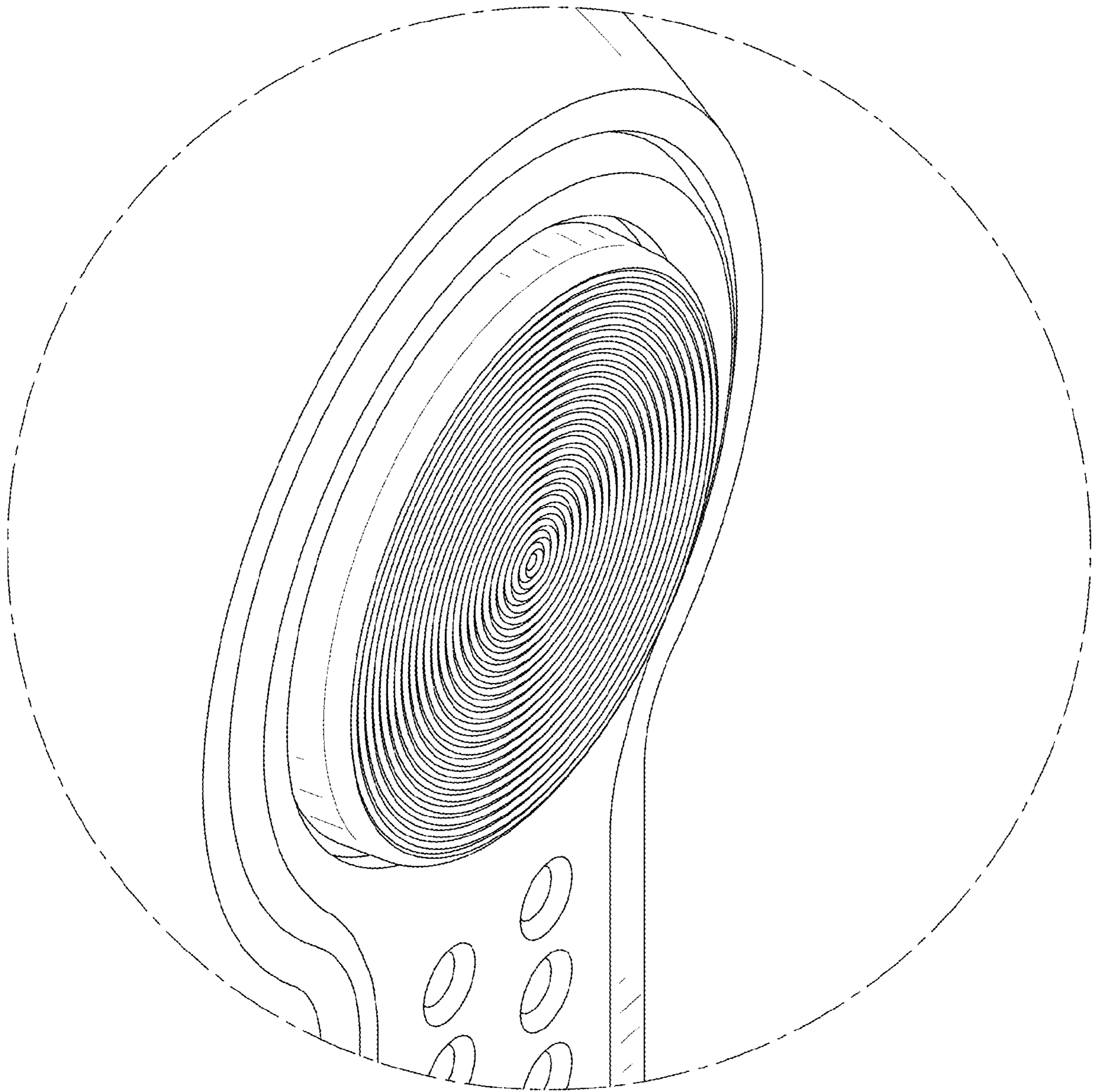


FIG. 9