



US00D888688S

(12) **United States Design Patent** (10) **Patent No.:** **US D888,688 S**  
**Xie** (45) **Date of Patent:** **\*\* Jun. 30, 2020**

(54) **SOUND MACHINE WITH NIGHT LIGHT**

(71) Applicant: **SHENZHEN LIANHUA ELECTRONICS CO., LTD**, Shenzhen (CN)

(72) Inventor: **Qingqin Xie**, Suixi (CN)

(\*\*) Term: **15 Years**

(21) Appl. No.: **29/713,761**

(22) Filed: **Nov. 19, 2019**

(51) **LOC (12) Cl.** ..... **14-01**

(52) **U.S. Cl.**  
USPC ..... **D14/216**

(58) **Field of Classification Search**  
USPC ..... D14/167, 168, 170–172, 188, 194–196, D14/204, 209.1, 210–216, 219, 221, 222, D14/224, 239, 496, 162, 169, 175, 179, D14/189, 197, 198, 207, 257, 265, 299; D26/1, 26, 38, 51, 52  
CPC ..... B60R 11/0217; G06F 1/1688; G10K 9/22; G10K 11/004; H03F 1/327; H04M 1/03; H04M 1/035; H04N 5/642; H04N 21/4852; H04R 1/02; H04R 1/06; H04R 1/021; H04R 1/025; H04R 1/026; H04R 1/028; H04R 1/105; H04R 1/323; H04R 1/403; H04R 1/2803; H04R 1/2834; H04R 5/02; H04R 7/20; H04R 9/06; H04R 9/025; H04R 2201/021; H04R 2400/00; H04R 2201/07; H04R 2499/11; H04R 2499/13; H04R 2499/15; H04S 3/00; H04S 7/30; F21L 4/00; F21L 4/02; F21L 4/04; F21L 4/005; F21L 4/025; F21L 4/027; F21V 7/00; F21V 23/02; F21V 33/0056

See application file for complete search history.

(56) **References Cited**

U.S. PATENT DOCUMENTS

D492,279 S *	6/2004	Lee	.....	D14/188
D601,564 S *	10/2009	Maeno	.....	D14/400
D632,265 S *	2/2011	Choi	.....	D13/168
D636,760 S *	4/2011	Cheng	.....	D14/216
D700,904 S *	3/2014	Miller	.....	D13/168
D731,465 S	6/2015	Khubani		
D766,456 S	9/2016	Luc		
D766,877 S *	9/2016	Haase	.....	D14/172
D805,926 S *	12/2017	Im	.....	D10/57
D820,318 S *	6/2018	Mullins	.....	D14/496
D823,826 S *	7/2018	Evans	.....	D14/159
D823,833 S *	7/2018	Shiono	.....	D14/216
D826,738 S *	8/2018	Liao	.....	D10/52
D828,332 S *	9/2018	Hu	.....	D14/216
D835,600 S	12/2018	Weiss et al.		
D839,189 S *	1/2019	Miller	.....	D13/108
D863,258 S *	10/2019	Song	.....	D14/218

(Continued)

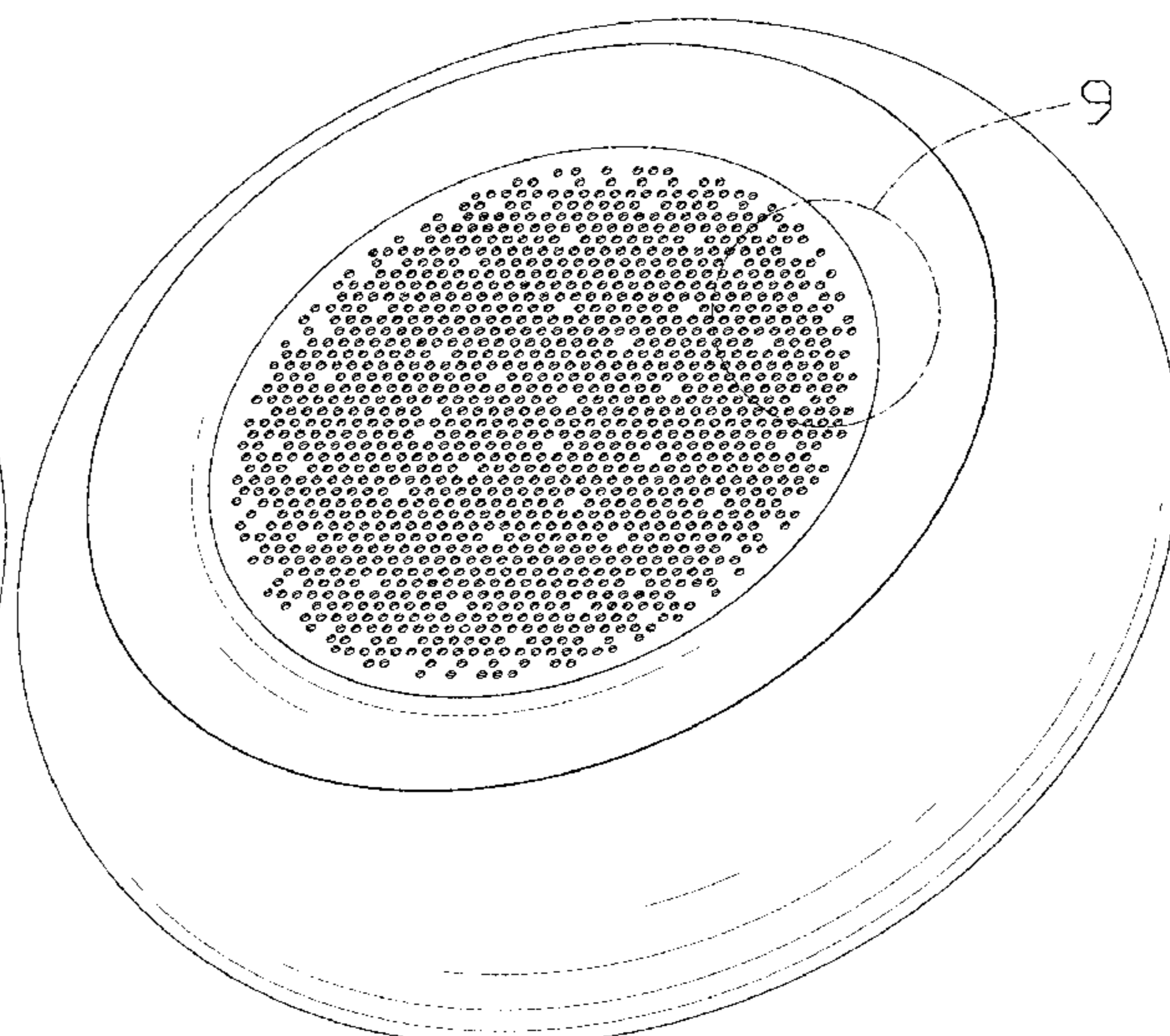
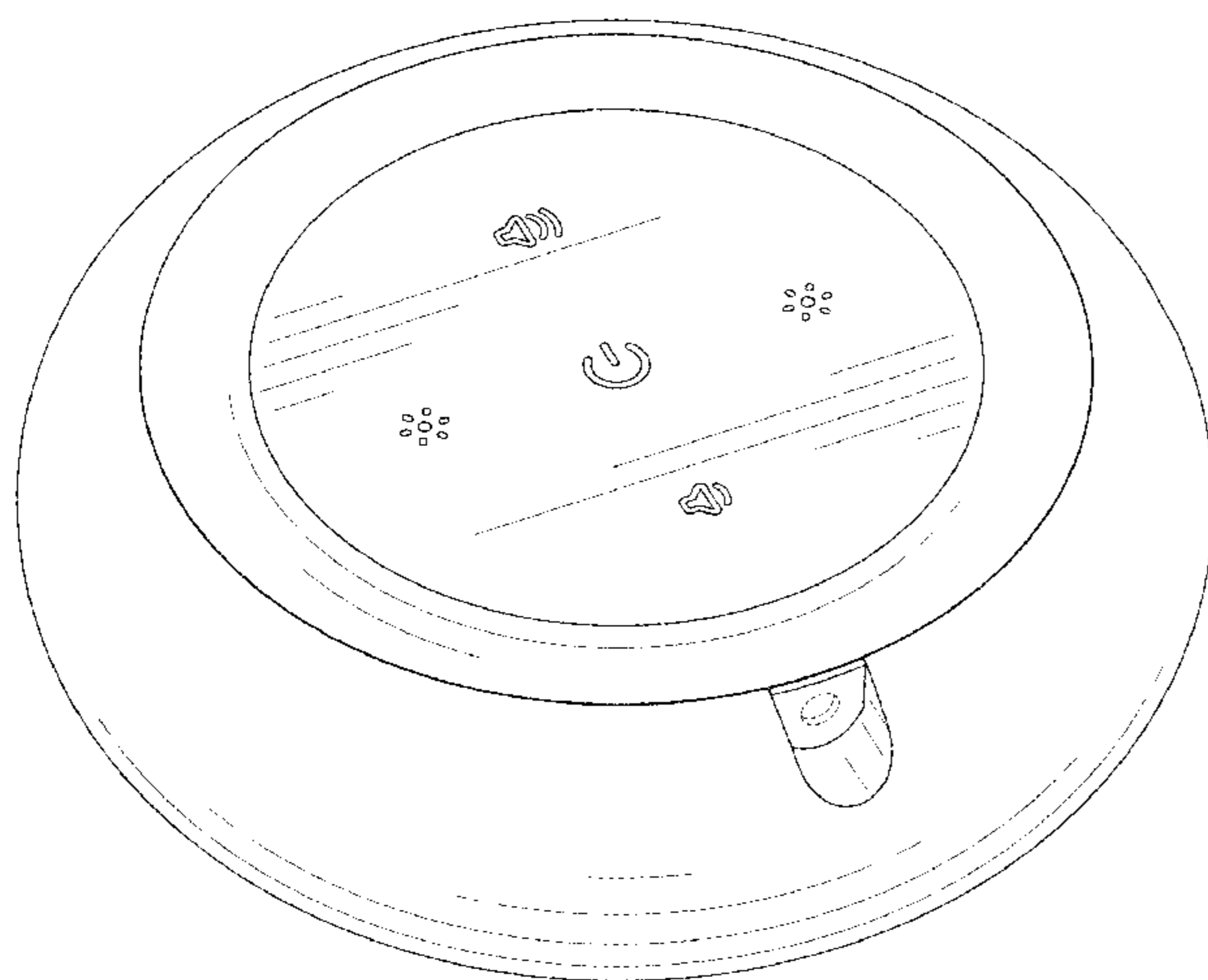
*Primary Examiner* — Keli L Hill  
(74) *Attorney, Agent, or Firm* — HYIP

(57) **CLAIM**  
The ornamental design for a sound machine with night light, as shown and described.

**DESCRIPTION**

FIG. 1 is a first perspective view of a sound machine with night light showing my new design;  
FIG. 2 is a second perspective view thereof;  
FIG. 3 is a front view thereof;  
FIG. 4 is a back view thereof;  
FIG. 5 is a left side view thereof;  
FIG. 6 is a right side view thereof;  
FIG. 7 is a top view thereof;  
FIG. 8 is a bottom view thereof; and,  
FIG. 9 is an enlarged view of the selected portion in FIG. 2. The broken lines shown in the drawings depict portions of the sound machine with night light in which the design is embodied that form no part of the claimed design.

**1 Claim, 9 Drawing Sheets**



(56)

**References Cited**

U.S. PATENT DOCUMENTS

D877,149 S \* 3/2020 Johnston ..... D14/388  
D878,325 S \* 3/2020 Paterson ..... D14/203.1

\* cited by examiner

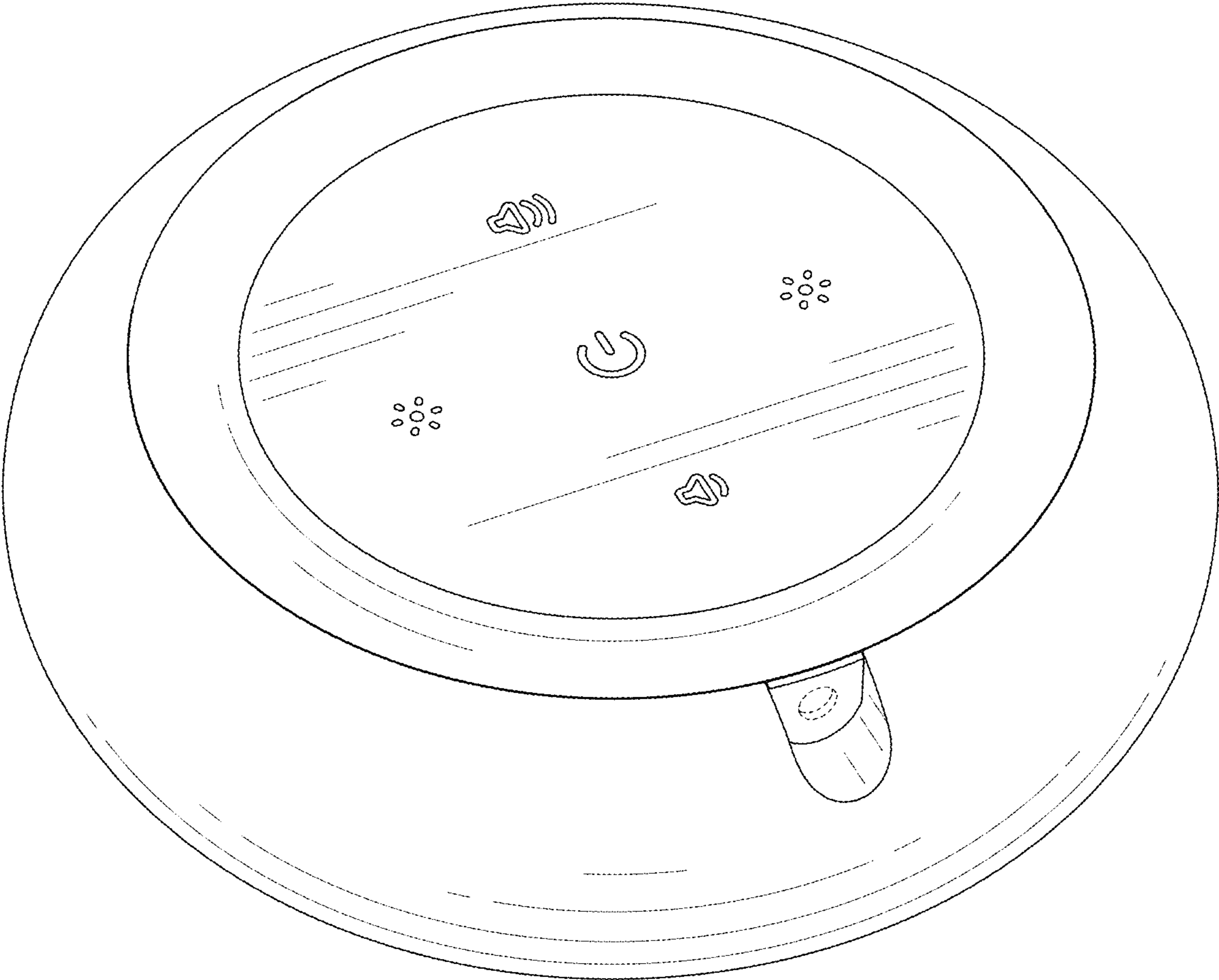


FIG. 1

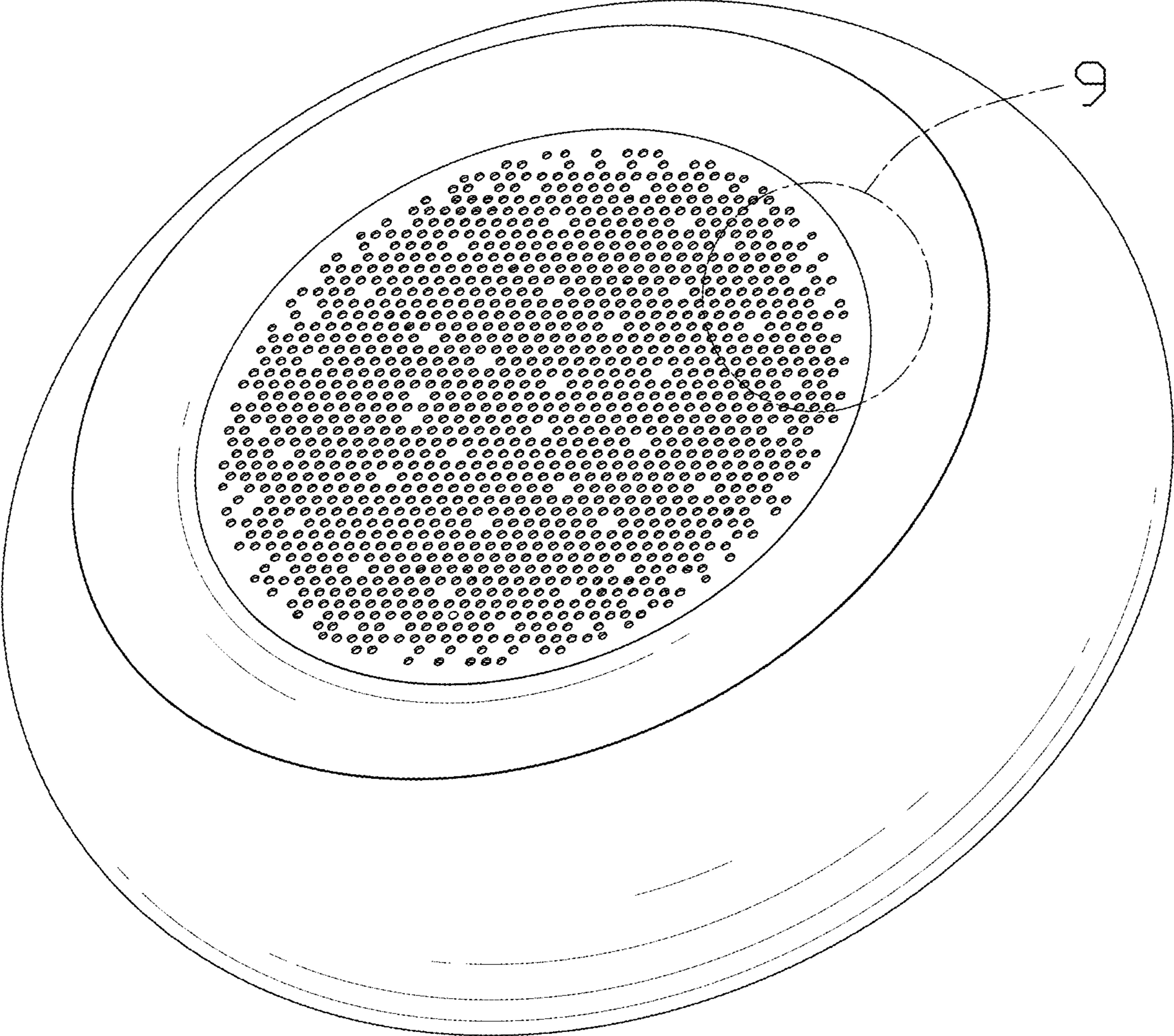


FIG. 2

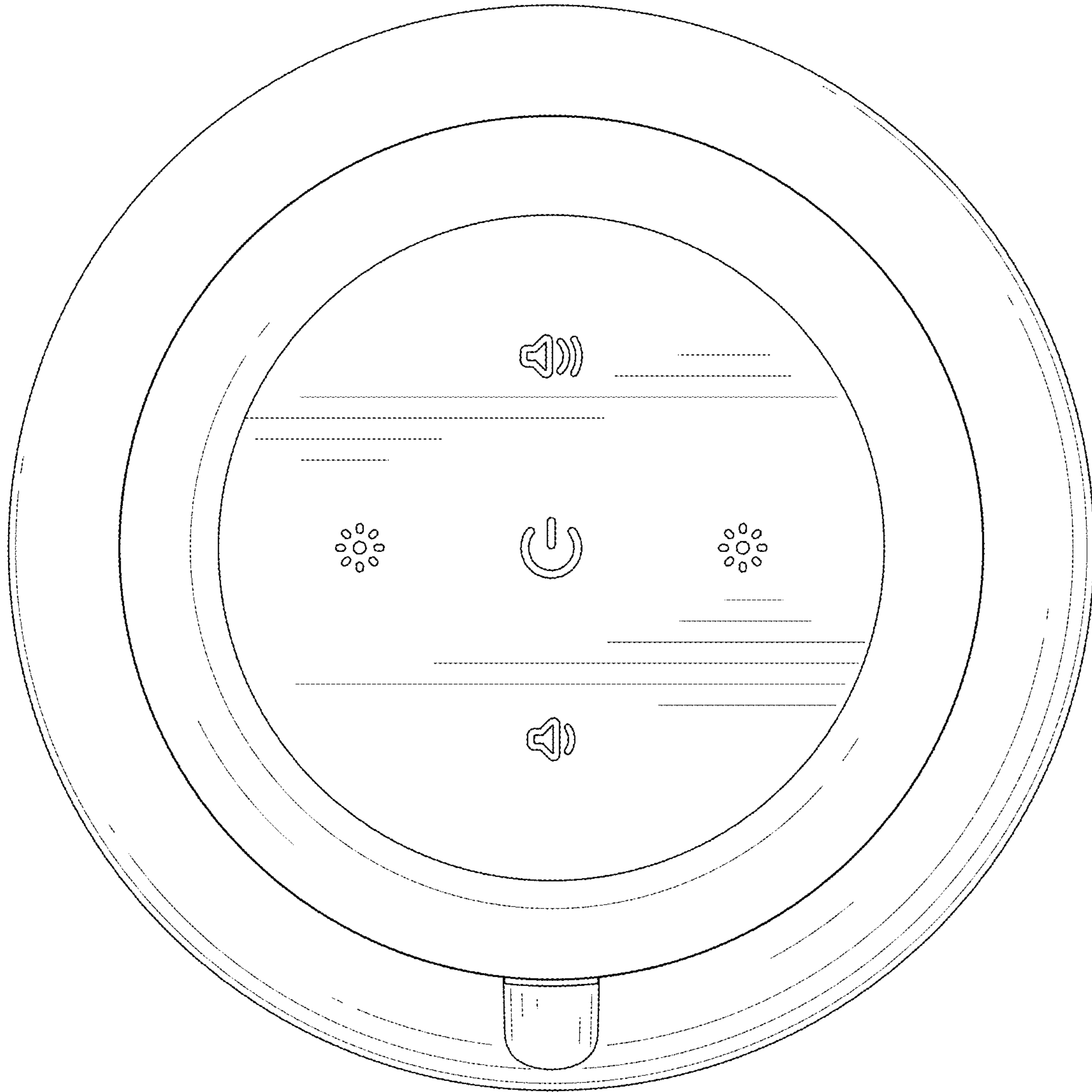


FIG. 3

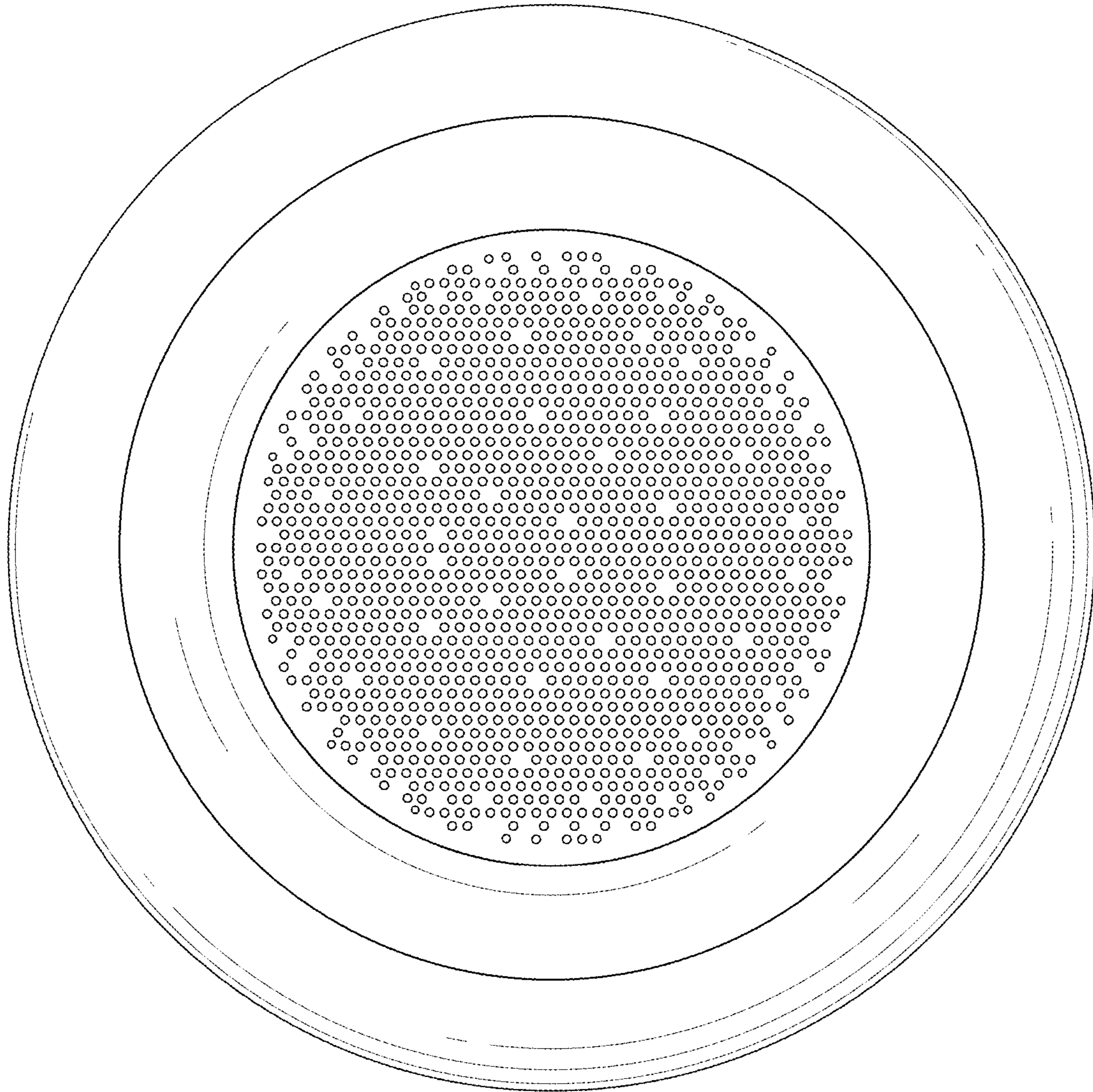


FIG. 4

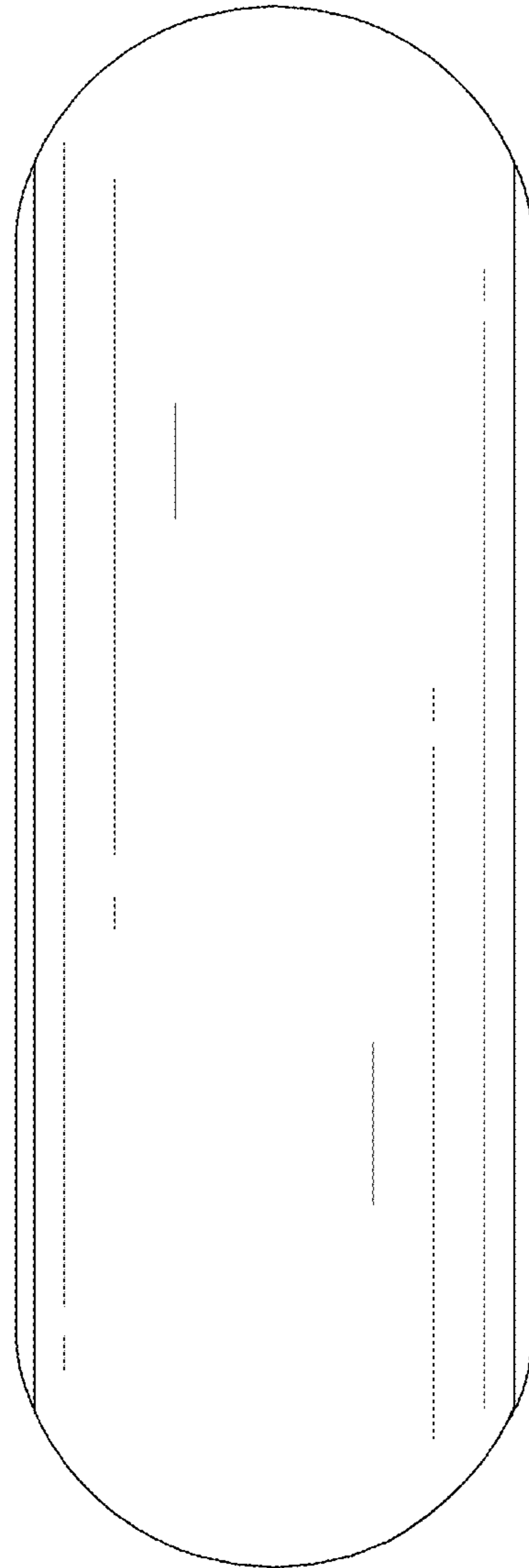


FIG. 5

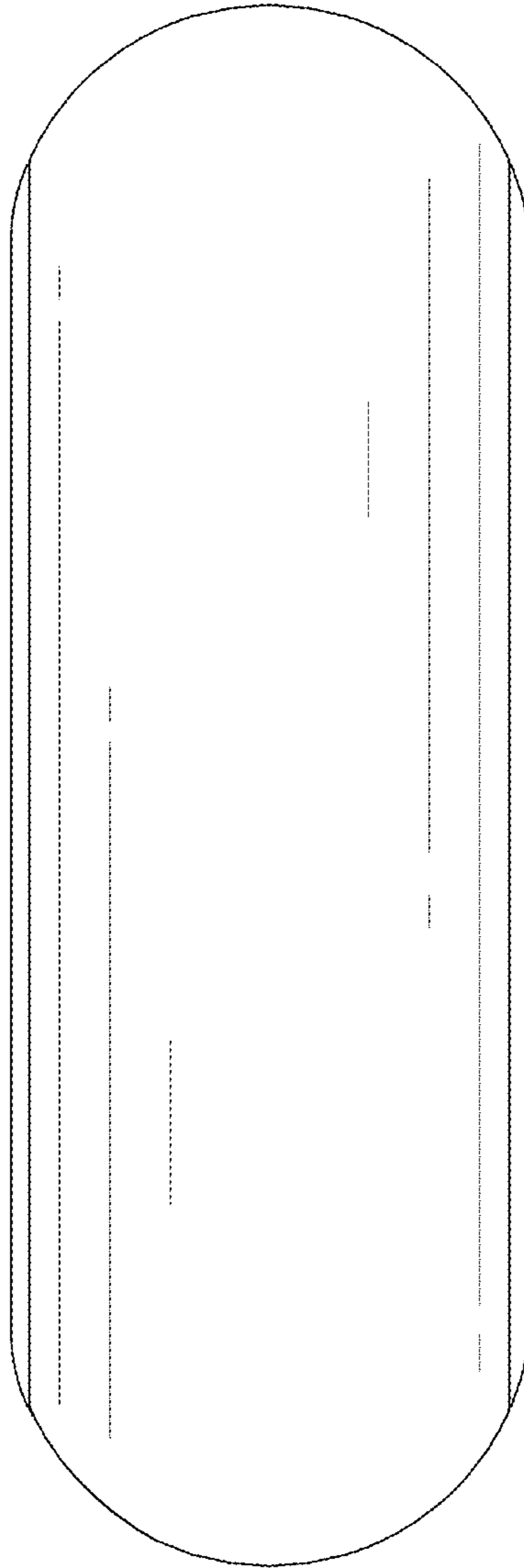


FIG. 6



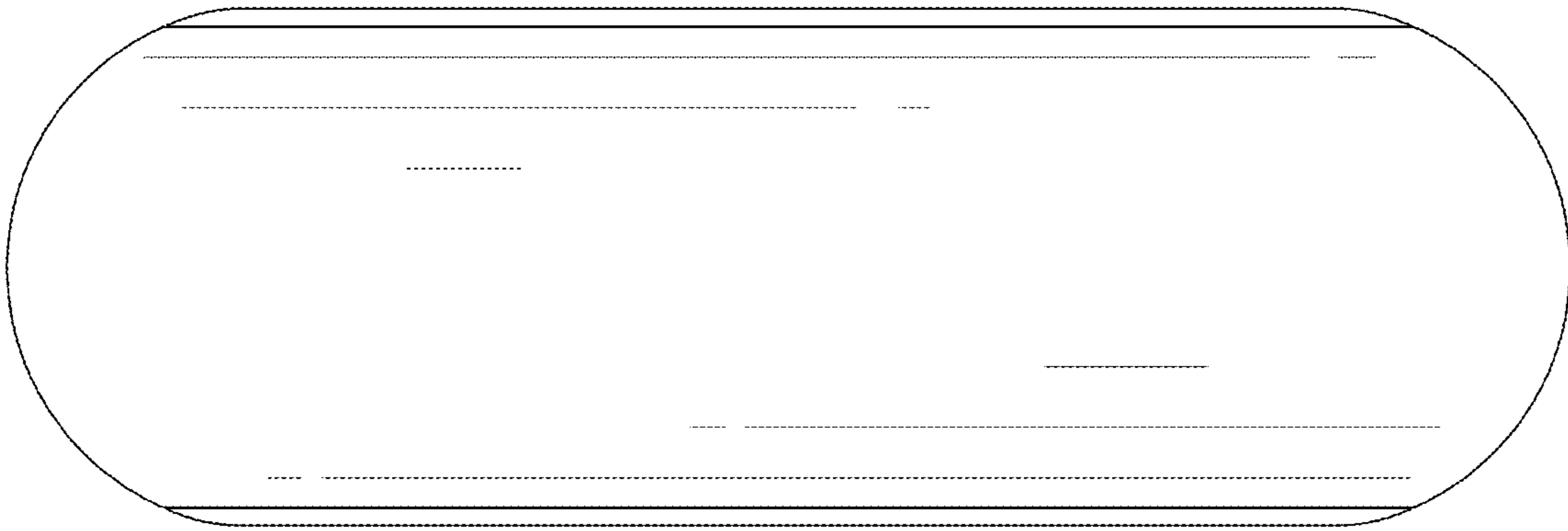


FIG. 7

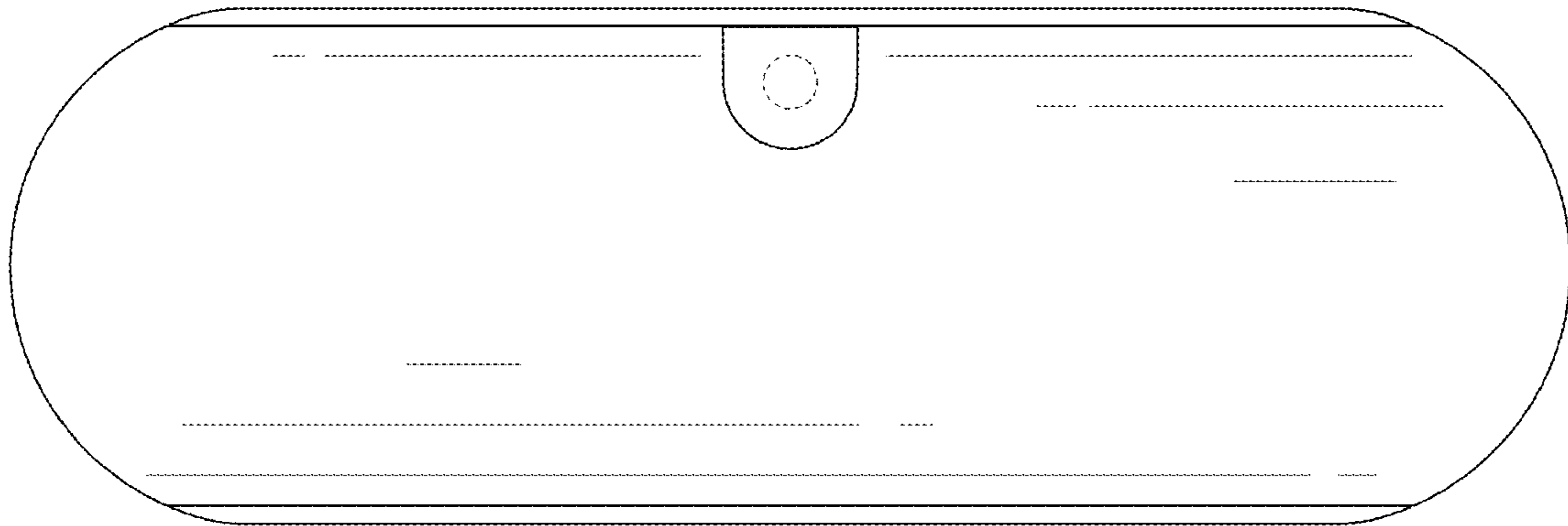


FIG. 8

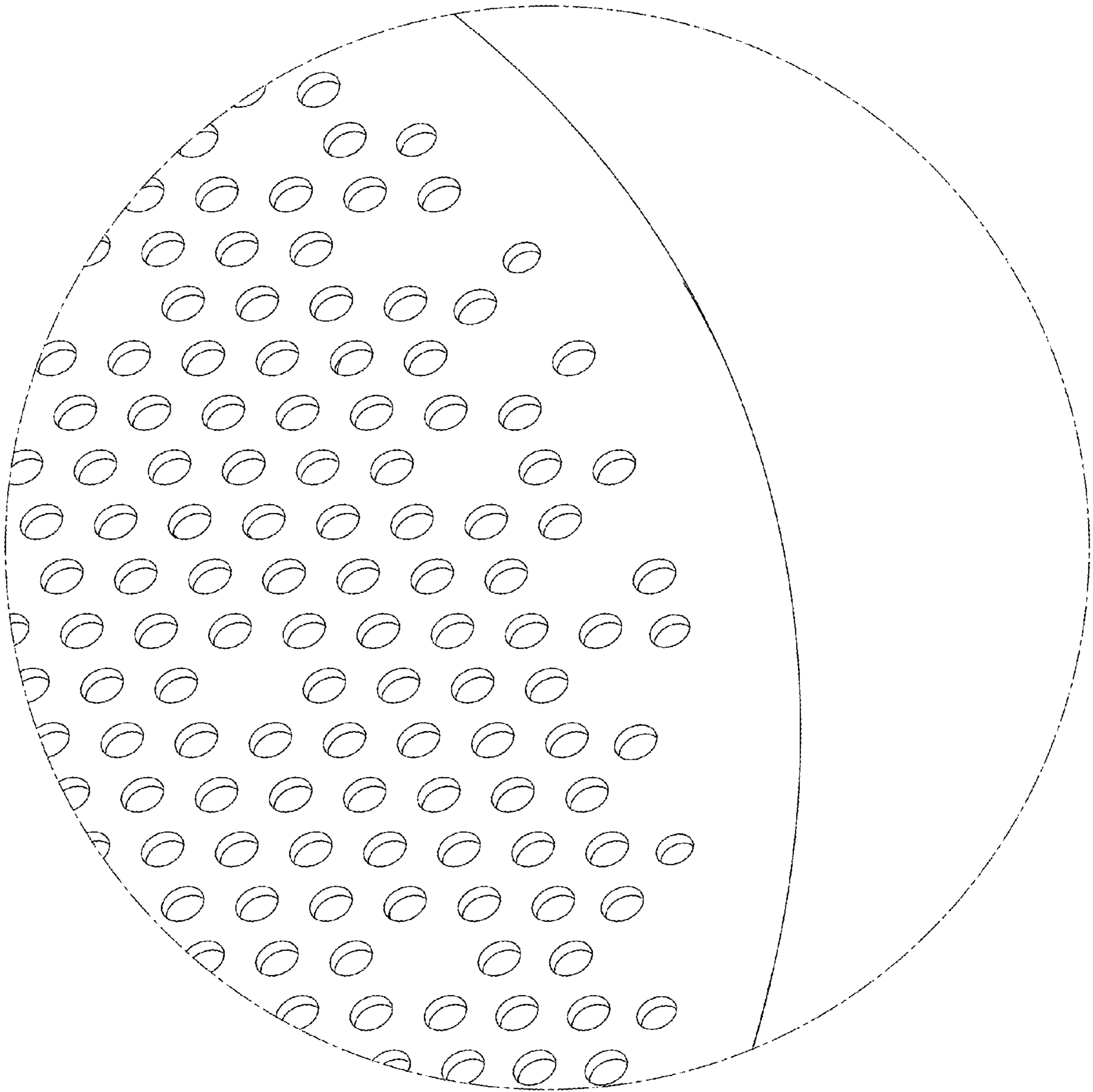


FIG. 9