



US00D888683S

(12) **United States Design Patent**
Zhang

(10) **Patent No.:** **US D888,683 S**
(45) **Date of Patent:** **** Jun. 30, 2020**

(54) **SMART PHONE**
(71) Applicant: **Shenzhen Youmi Intelligent Technology Co., Ltd., Shenzhen (CN)**
(72) Inventor: **Yong Zhang, Shenzhen (CN)**
(73) Assignee: **Shenzhen Youmi Intelligent Technology Co., Ltd., Shenzhen (CN)**
(**) Term: **15 Years**
(21) Appl. No.: **29/681,295**
(22) Filed: **Feb. 24, 2019**

D819,591 S * 6/2018 Kwon D14/138 G
D822,017 S * 7/2018 Noh D14/341
D825,516 S * 8/2018 Li D14/138 G
D829,677 S * 10/2018 Kim D14/138 G
D832,835 S * 11/2018 Akana D14/341
D849,708 S * 5/2019 Park D14/138 G
D855,031 S * 7/2019 Cho D14/138 G
D860,151 S * 9/2019 Cho D14/138 G
D863,245 S * 10/2019 Yuan D14/138 G
D864,141 S * 10/2019 Kim D14/138 G
D867,350 S * 11/2019 Park D14/248
D877,110 S * 3/2020 Cho D14/138 G
D877,710 S * 3/2020 Wu D14/138 G
D879,064 S * 3/2020 Park D14/138 G
D879,736 S * 3/2020 Park D14/138 G
2017/0289324 A1 * 10/2017 Yeo G03B 29/00
2018/0196475 A1 * 7/2018 Bao G06F 1/1637

(Continued)

(30) **Foreign Application Priority Data**

Dec. 25, 2018 (CN) 2018 3 0753562

(51) **LOC (12) Cl.** **14-03**

(52) **U.S. Cl.**
USPC **D14/138 G**

(58) **Field of Classification Search**

USPC D14/138 G, 248, 341, 371, 374, 138 R,
D14/138 AA, 138 AB, 138 AC, 138 AD,
D14/138 C, 247

CPC H04M 1/0202; H04M 1/0235; H04M
1/0237; H04M 1/0239; H04M 1/0266;
H04M 1/0268; H04M 1/027; H04M
1/0295; H04M 1/02; H04M 1/0279;
H04M 1/0283

See application file for complete search history.

(56) **References Cited**

U.S. PATENT DOCUMENTS

D743,931 S * 11/2015 Hubbard D14/203.7
D752,036 S * 3/2016 Ho D14/341
D788,731 S * 6/2017 Park D14/138 C
D797,071 S * 9/2017 Seo D14/138 G
D806,705 S * 1/2018 Akana D14/341

Primary Examiner — Bridget L Eland

(57) **CLAIM**

The ornamental design for a smart phone, as shown and described.

DESCRIPTION

FIG. 1 is a front elevational view of a smart phone showing my new design;

FIG. 2 is a rear elevational view thereof;

FIG. 3 is a left side view thereof;

FIG. 4 is a right side view thereof;

FIG. 5 is a top plan view thereof;

FIG. 6 is a bottom plan view thereof;

FIG. 7 is a top, front and right side perspective view thereof;

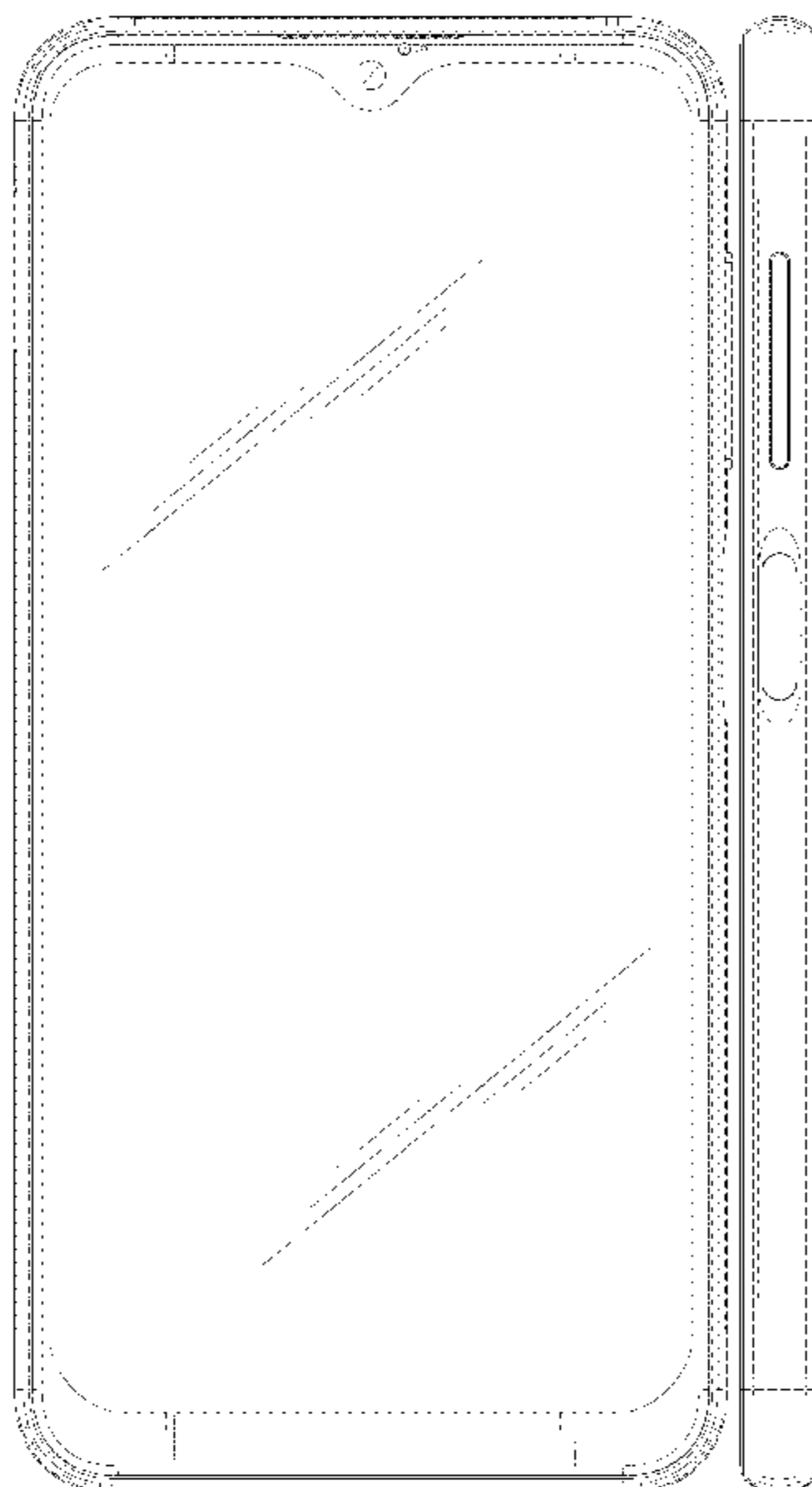
FIG. 8 is a bottom, rear and right side perspective view thereof;

FIG. 9 is a top, rear and left side perspective view thereof; and,

FIG. 10 is an enlarged view of portion 10 in FIG. 7.

The oblique shade lines in the drawings represent reflective surfaces.

1 Claim, 10 Drawing Sheets



(56)

References Cited

U.S. PATENT DOCUMENTS

2019/0075197 A1* 3/2019 Roncetti H04M 1/0283
2019/0393444 A1* 12/2019 Nam G06F 1/1643

* cited by examiner

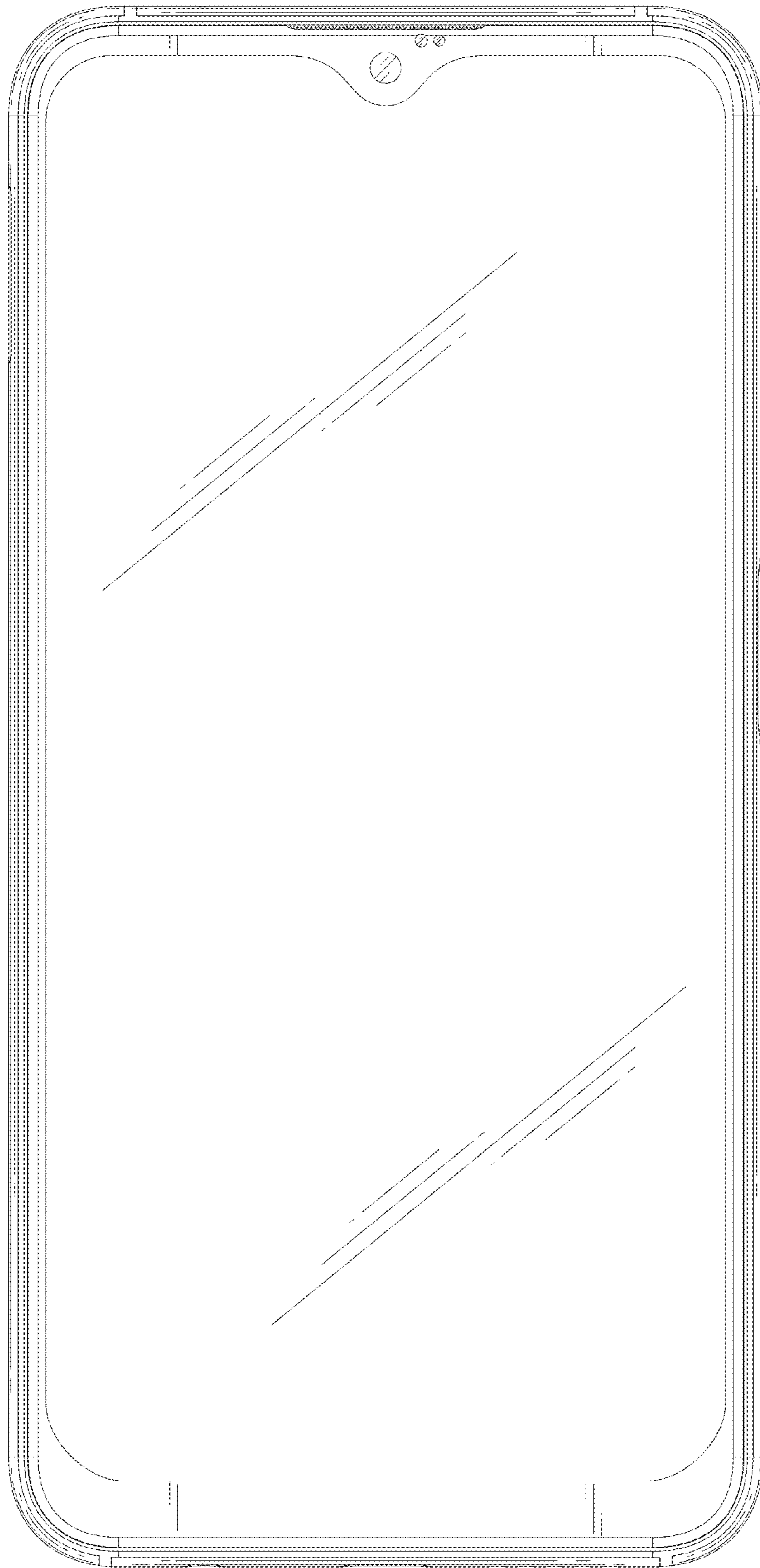


Fig. 1

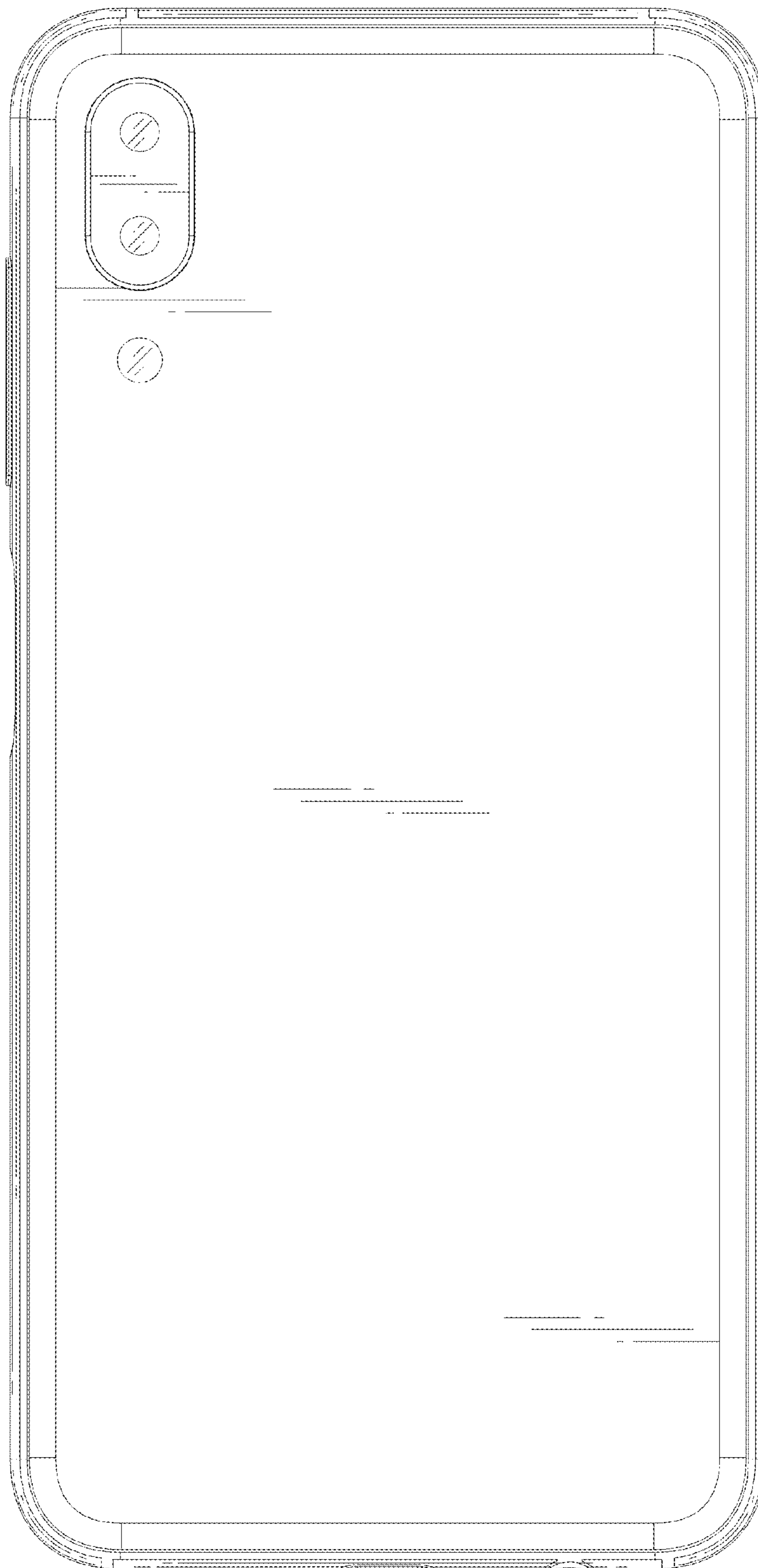


Fig. 2

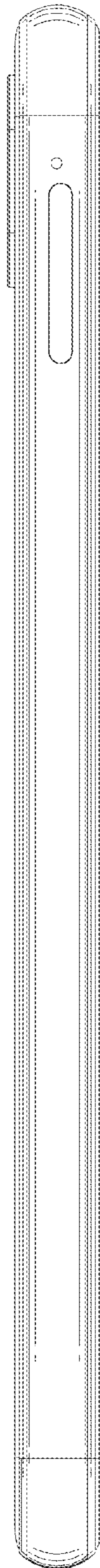


Fig.3

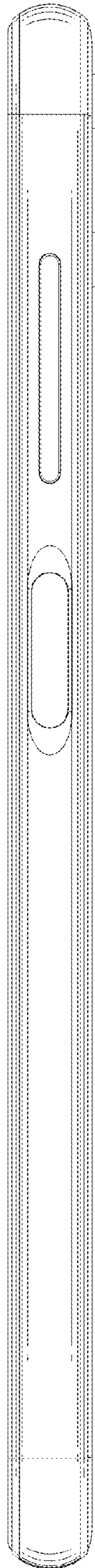


Fig. 4

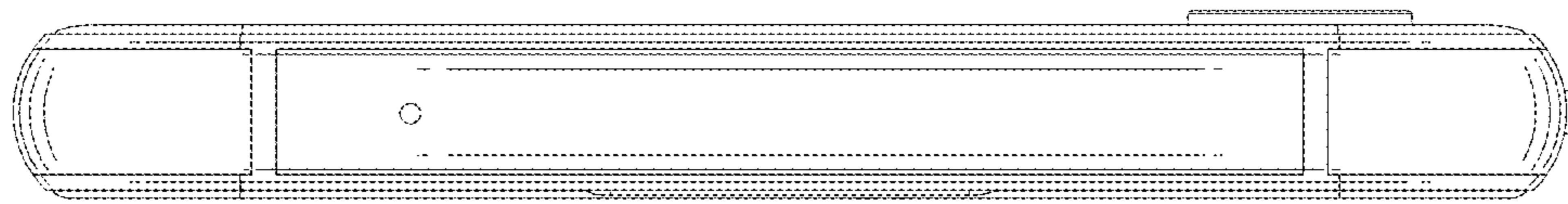


Fig.5

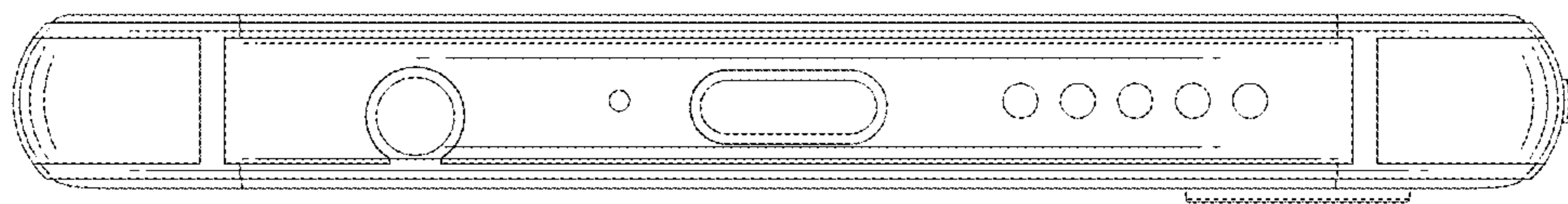


Fig. 6

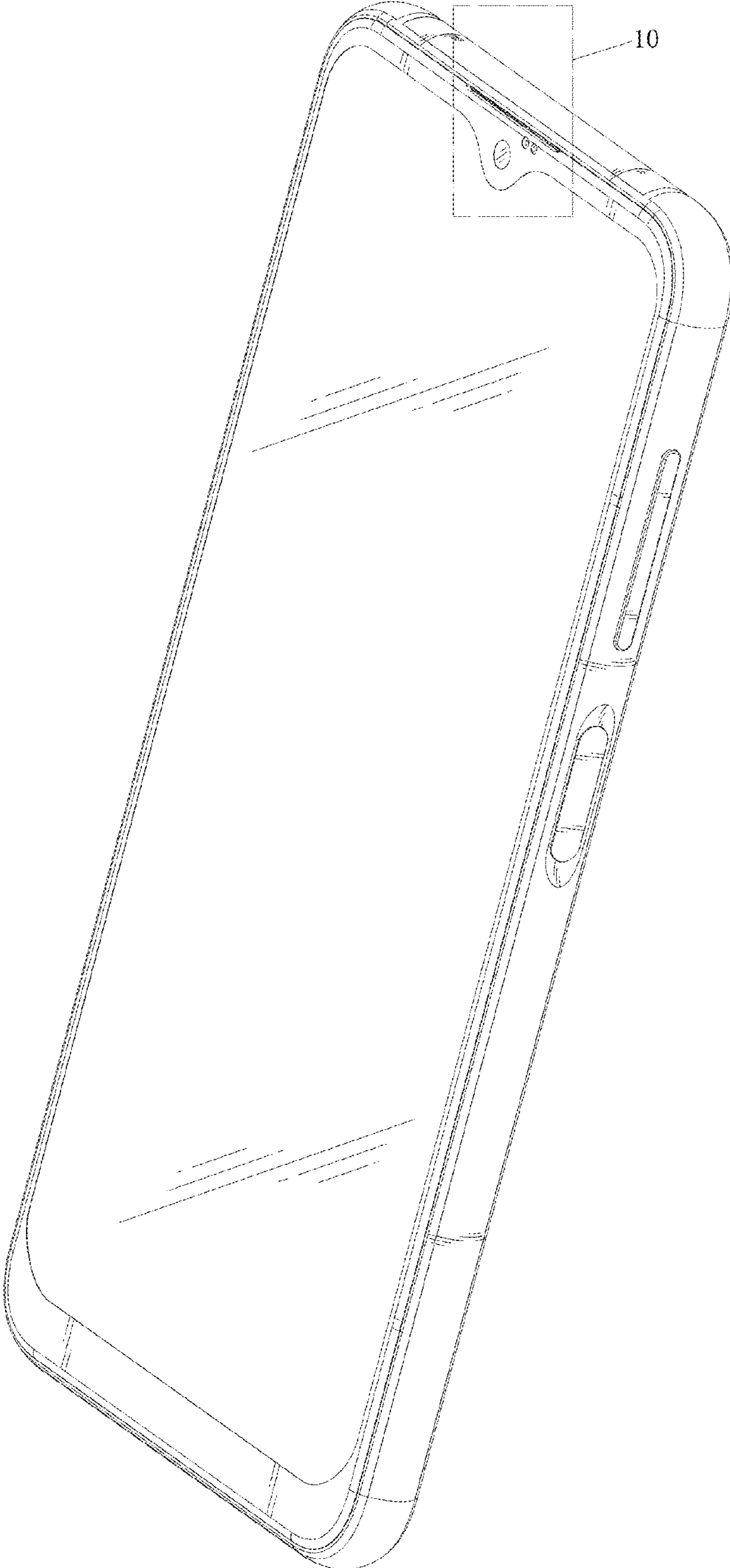


Fig. 7

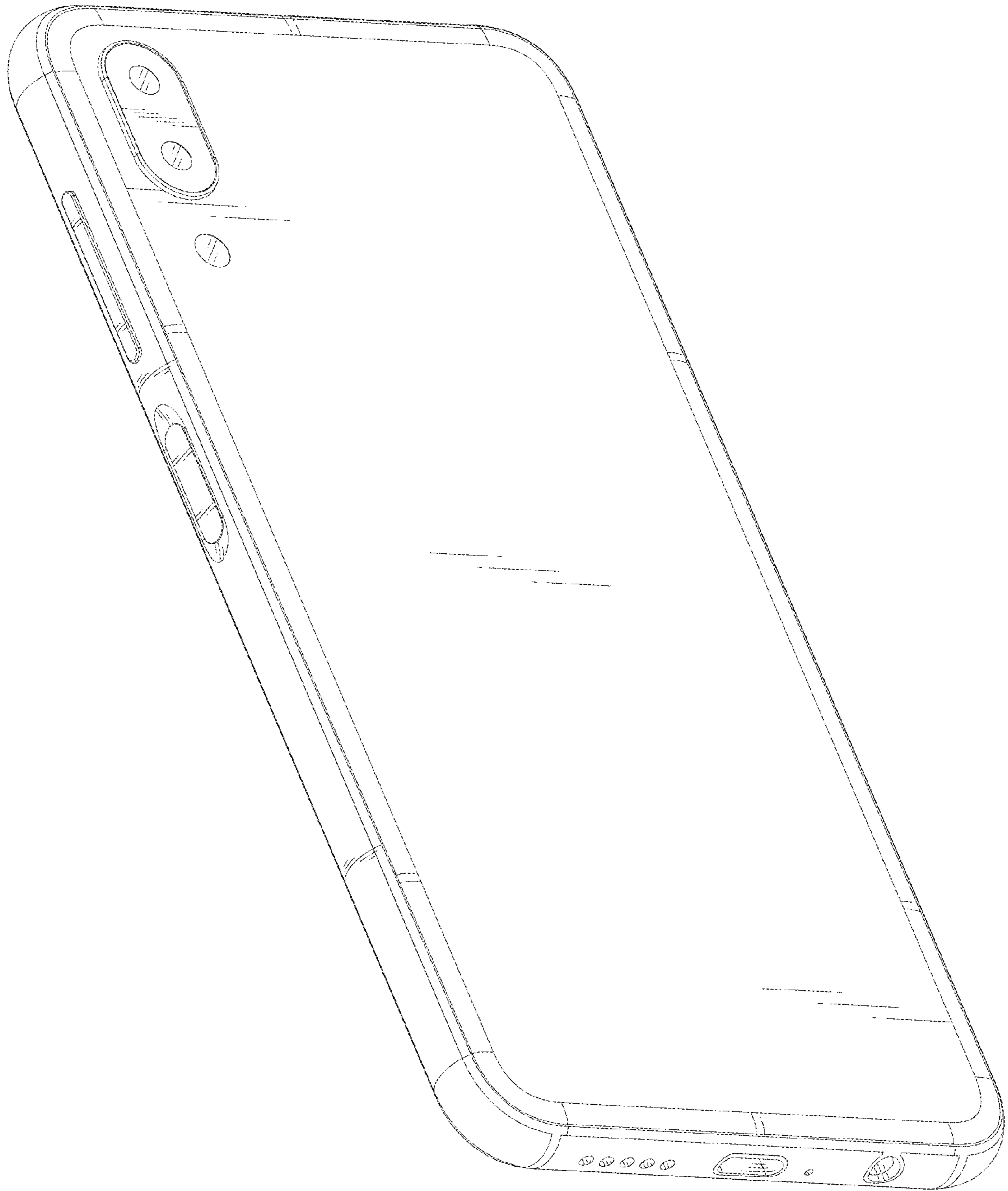


Fig. 8

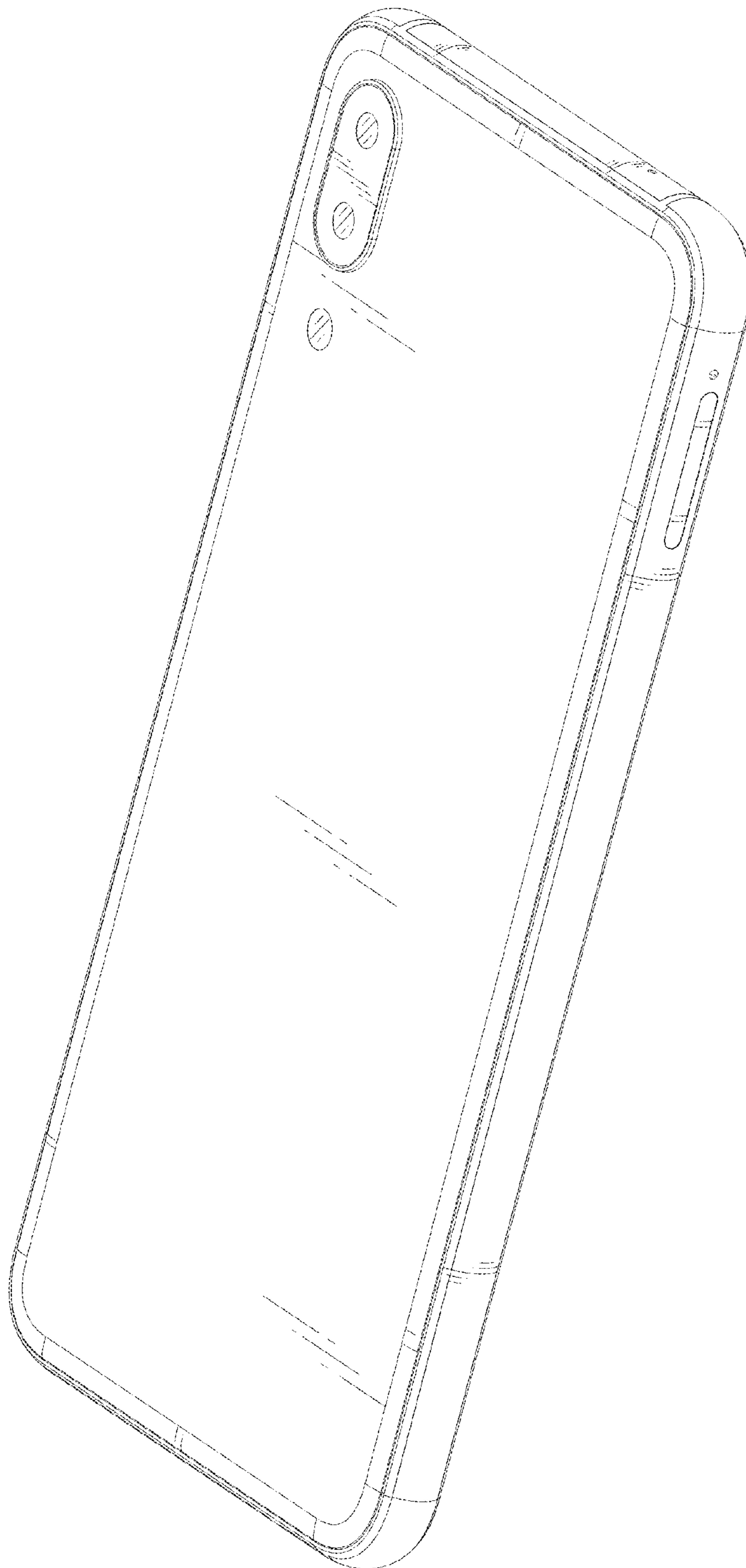


Fig. 9

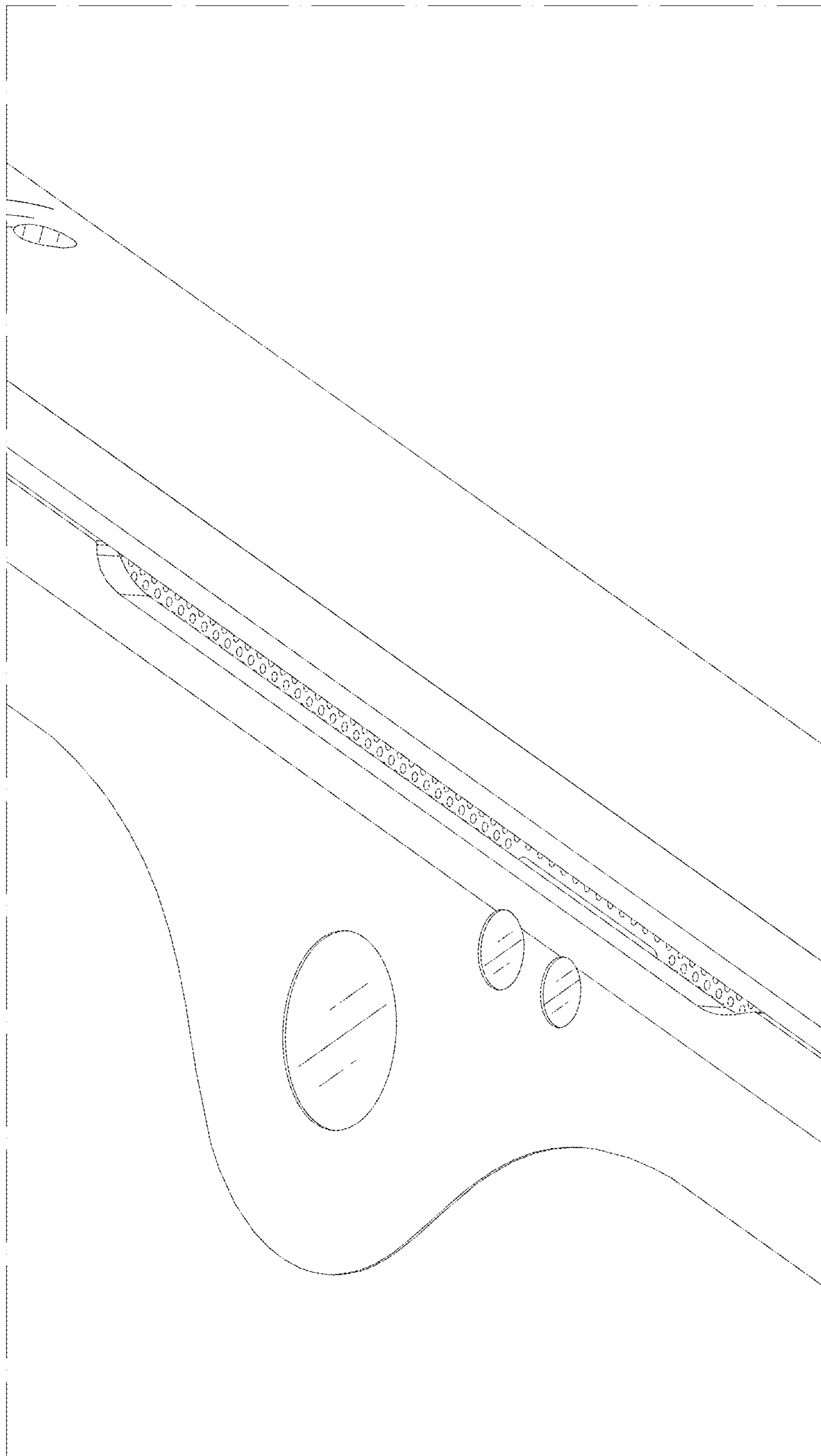


Fig. 10