



US00D888678S

(12) **United States Design Patent**
Ryu et al.

(10) **Patent No.:** **US D888,678 S**
(45) **Date of Patent:** **** Jun. 30, 2020**

(54) **MONITOR FOR COMPUTER**
(71) Applicant: **LG ELECTRONICS INC.**, Seoul (KR)
(72) Inventors: **Daihyung Ryu**, Seoul (KR); **Sungjoo Kim**, Seoul (KR)
(73) Assignee: **LG Electronics Inc.**, Seoul (KR)
(**) Term: **15 Years**
(21) Appl. No.: **35/506,736**
(22) Filed: **Nov. 15, 2018**
(80) **Hague Agreement Data**
Int. Filing Date: **Nov. 15, 2018**
Int. Reg. No.: **DM/200015**
Int. Reg. Date: **Nov. 15, 2018**
Int. Reg. Pub. Date: **May 17, 2019**

(30) **Foreign Application Priority Data**
May 18, 2018 (KR) 30-2018-0023212
(51) **LOC (12) Cl.** **14-03**
(52) **U.S. Cl.**
USPC **D14/126**
CPC **G06F 1/1605** (2013.01)
(58) **Field of Classification Search**
USPC D14/126, 336, 371, 374, 377
CPC G06F 2200/1612; G06F 1/1605; G06F 21/84; G06F 2200/1631; H04N 5/64; H04N 5/645; H05K 5/00; H05K 5/0204
See application file for complete search history.

(56) **References Cited**
U.S. PATENT DOCUMENTS
D425,036 S * 5/2000 Copus D14/126
D475,687 S * 6/2003 Goto D14/126
D545,778 S * 7/2007 Isshiki D14/126
D558,743 S * 1/2008 Isshiki D14/239

D562,788 S * 2/2008 Asanuma D14/126
D566,669 S * 4/2008 Ooshima D14/126
D570,312 S * 6/2008 Kita D14/126
D619,135 S * 7/2010 Lin D14/374
D619,978 S * 7/2010 Kim D14/126
D624,894 S * 10/2010 Kasuga D14/126
RE42,091 E * 2/2011 Moscovitch B60R 11/02 348/794
D634,324 S * 3/2011 Park D14/374
D634,745 S * 3/2011 Park D14/373
D659,661 S * 5/2012 Lim D14/126
D669,871 S * 10/2012 Furukawa D14/126
D677,662 S * 3/2013 Mochizuki D14/375
8,462,103 B1 * 6/2013 Moscovitch B60R 11/02 345/1.1
D686,615 S * 7/2013 Lee D14/374
D694,206 S * 11/2013 Seo D14/126
D694,209 S * 11/2013 Cho D14/126
D704,709 S * 5/2014 Bussoli D14/128
D710,357 S * 8/2014 Quijano D14/374
D726,717 S * 4/2015 Lee D14/371
D733,672 S * 7/2015 Choi D14/126

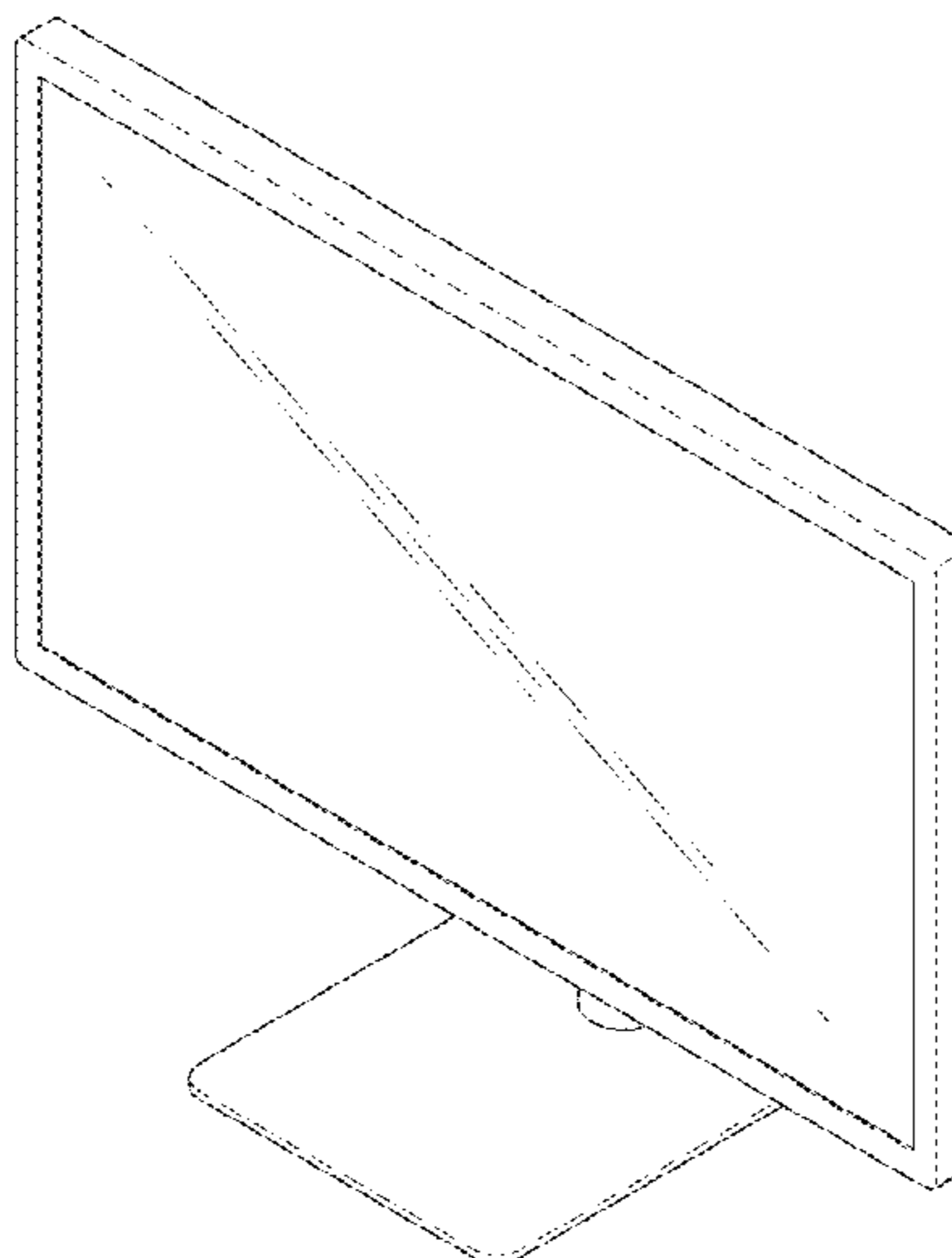
(Continued)

Primary Examiner — Richard E Chilcot
(74) *Attorney, Agent, or Firm* — Birch, Stewart, Kolasch & Birch, LLP

(57) **CLAIM**
The ornamental design for a monitor for computer, as shown and described.

DESCRIPTION
1. Monitor for computer
1.1: Perspective
1.2 : Rear perspective
1.3: Front
1.4: Back
1.5: Left
1.6: Right
1.7: Top
1.8: Bottom
The broken lines indicate portions of the article that form no part of the claimed design.

1 Claim, 8 Drawing Sheets



(56)

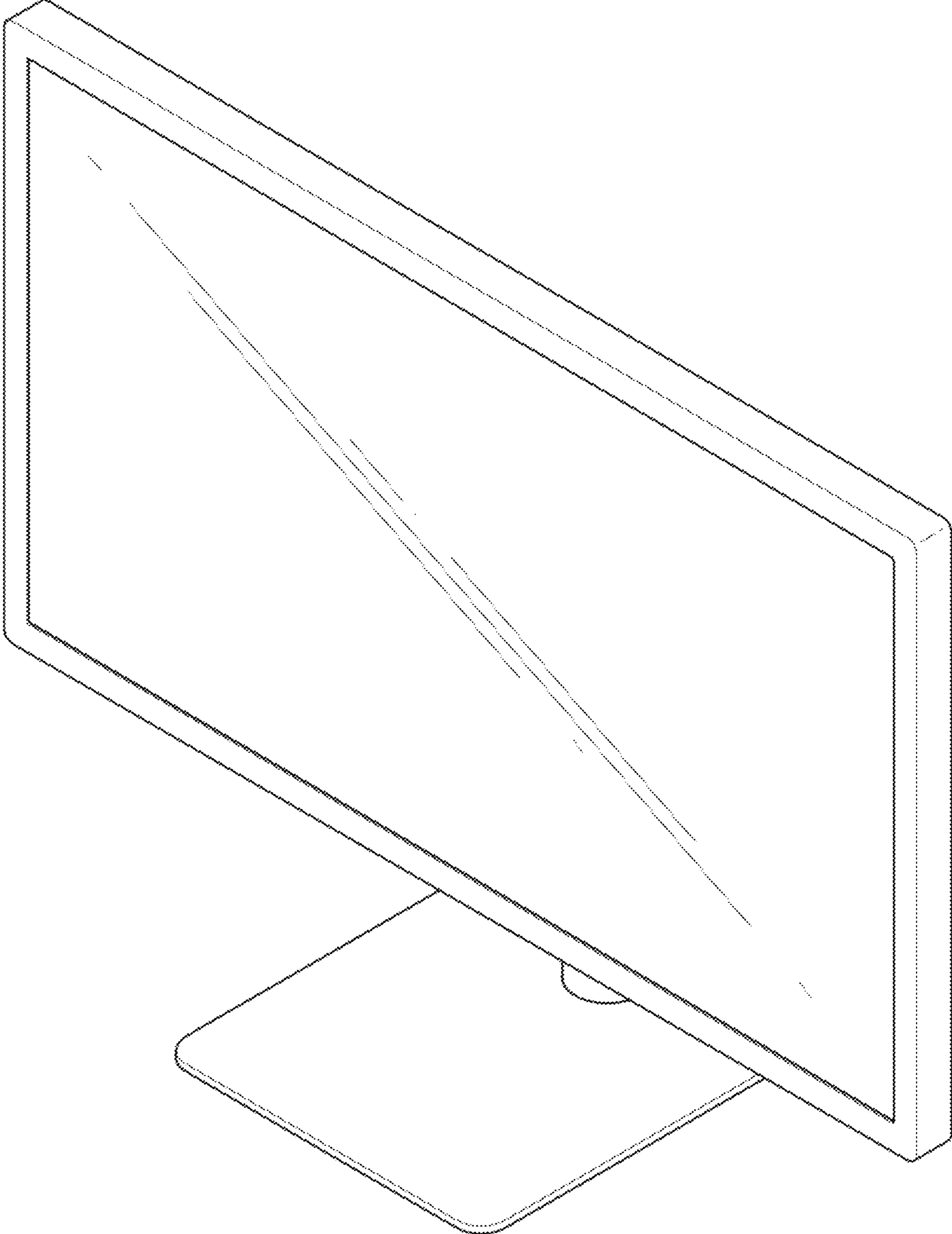
References Cited

U.S. PATENT DOCUMENTS

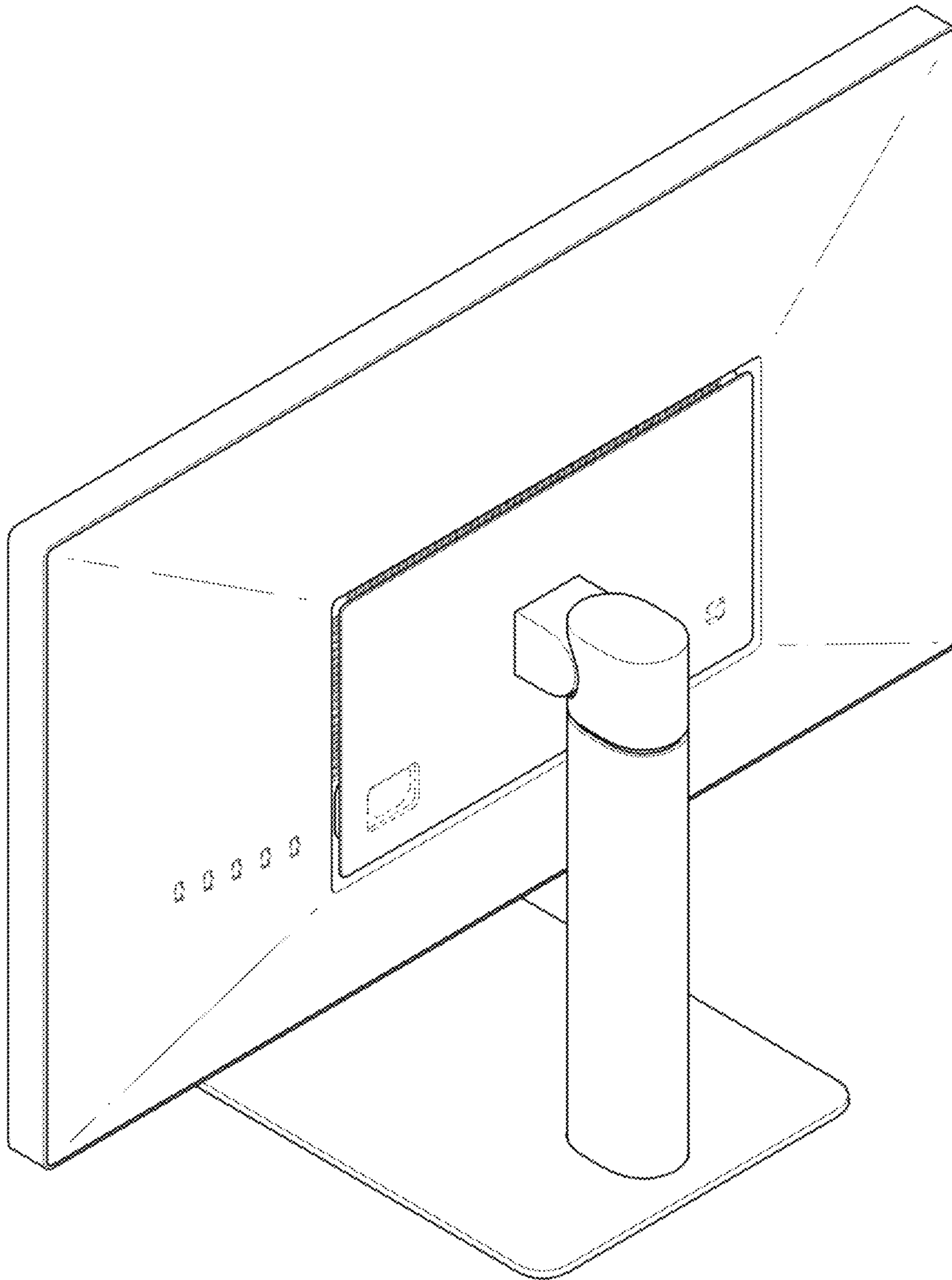
D734,280	S	*	7/2015	Choi	D14/126
D747,717	S	*	1/2016	Kim	D14/336
D763,259	S	*	8/2016	Lee	D14/375
D786,868	S	*	5/2017	Kim	D14/374
D788,782	S	*	6/2017	Lim	D14/451
D796,465	S	*	9/2017	Kim	D14/126
D799,440	S	*	10/2017	Kim	D14/126
D805,511	S	*	12/2017	Sun	D14/336
D806,069	S	*	12/2017	Peng	D14/336
D812,614	S	*	3/2018	Lee	D14/375
D812,615	S	*	3/2018	Lee	D14/375
D817,290	S	*	5/2018	Lee	D14/126
D821,395	S	*	6/2018	Thetard	D14/374
D826,200	S	*	8/2018	Kim	D14/126
D826,884	S	*	8/2018	Kim	D14/126
D827,644	S	*	9/2018	Kim	D14/377
D828,837	S	*	9/2018	Kim	D14/374
D830,985	S	*	10/2018	Cha	D14/126
D836,110	S	*	12/2018	Quijano	D14/374
D838,268	S	*	1/2019	Little	D14/314
D854,540	S	*	7/2019	Kim	D14/336
D858,474	S	*	9/2019	Lim	D14/126
D860,961	S	*	9/2019	Kim	D14/126
D860,962	S	*	9/2019	Lee	D14/126
2006/0076463	A1	*	4/2006	Drew	F16M 11/041 248/121
2007/0146979	A1	*	6/2007	Chen	G06F 1/1601 361/679.21
2014/0321039	A1	*	10/2014	Quijano	G06F 1/1601 361/679.22

* cited by examiner

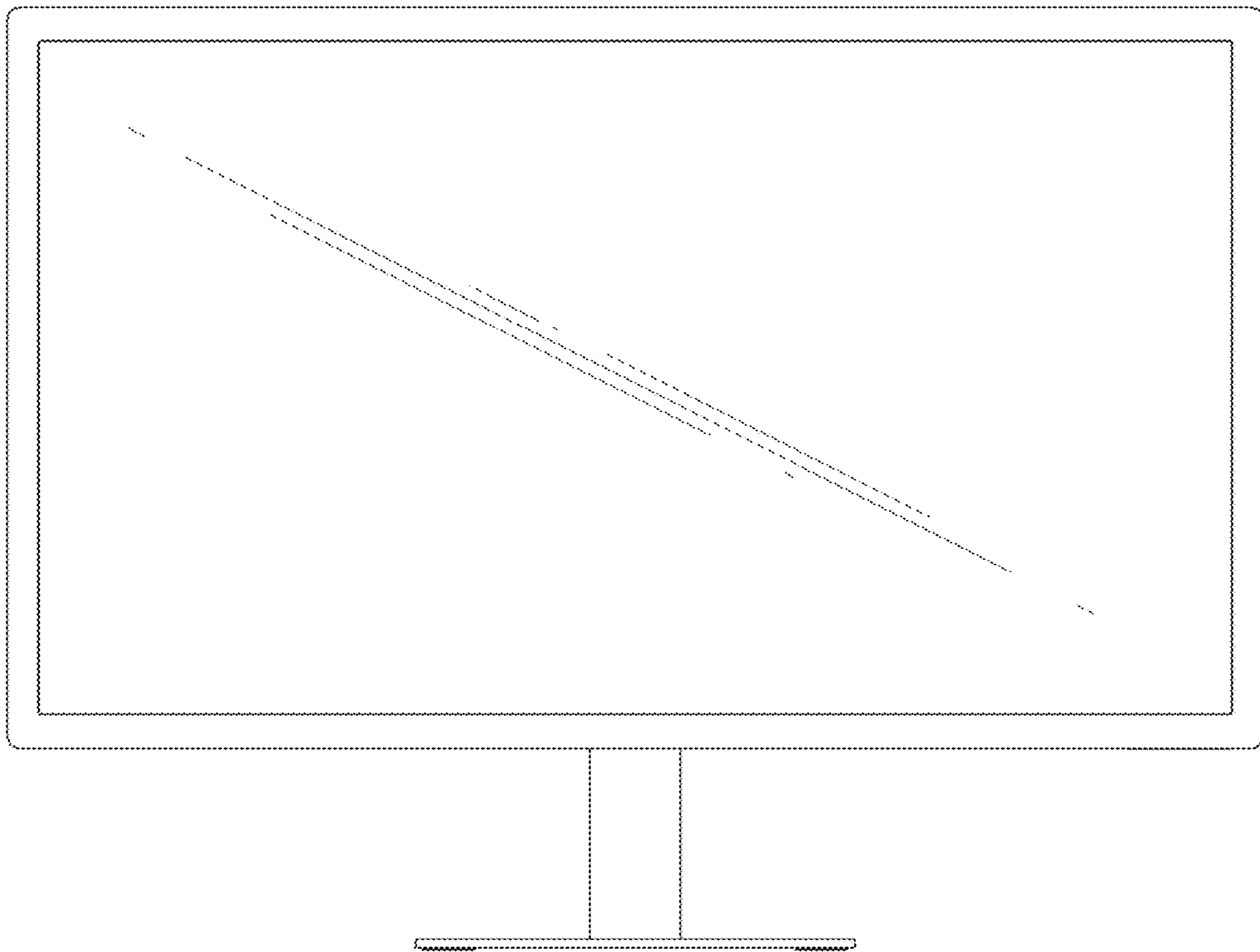
1.1



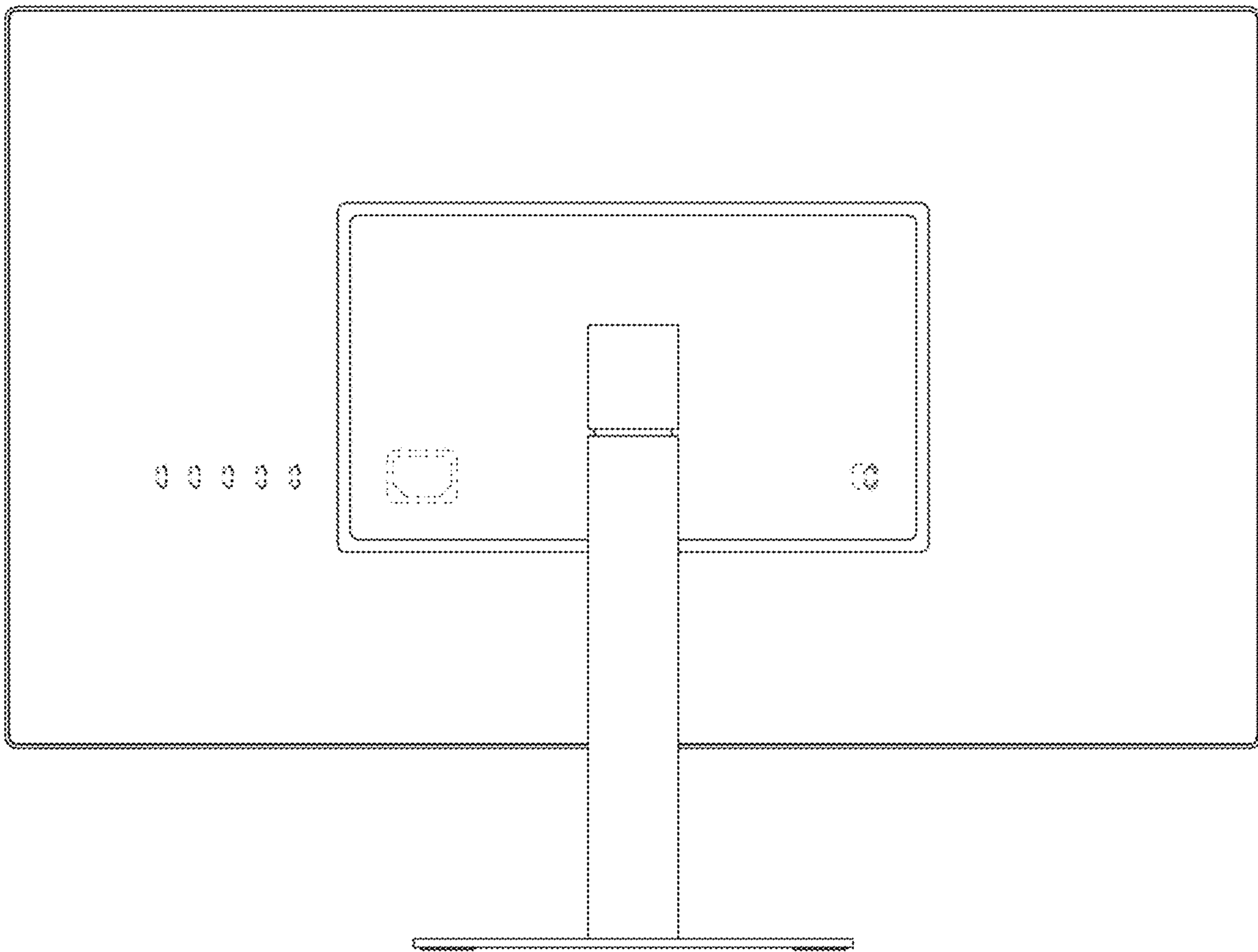
1.2



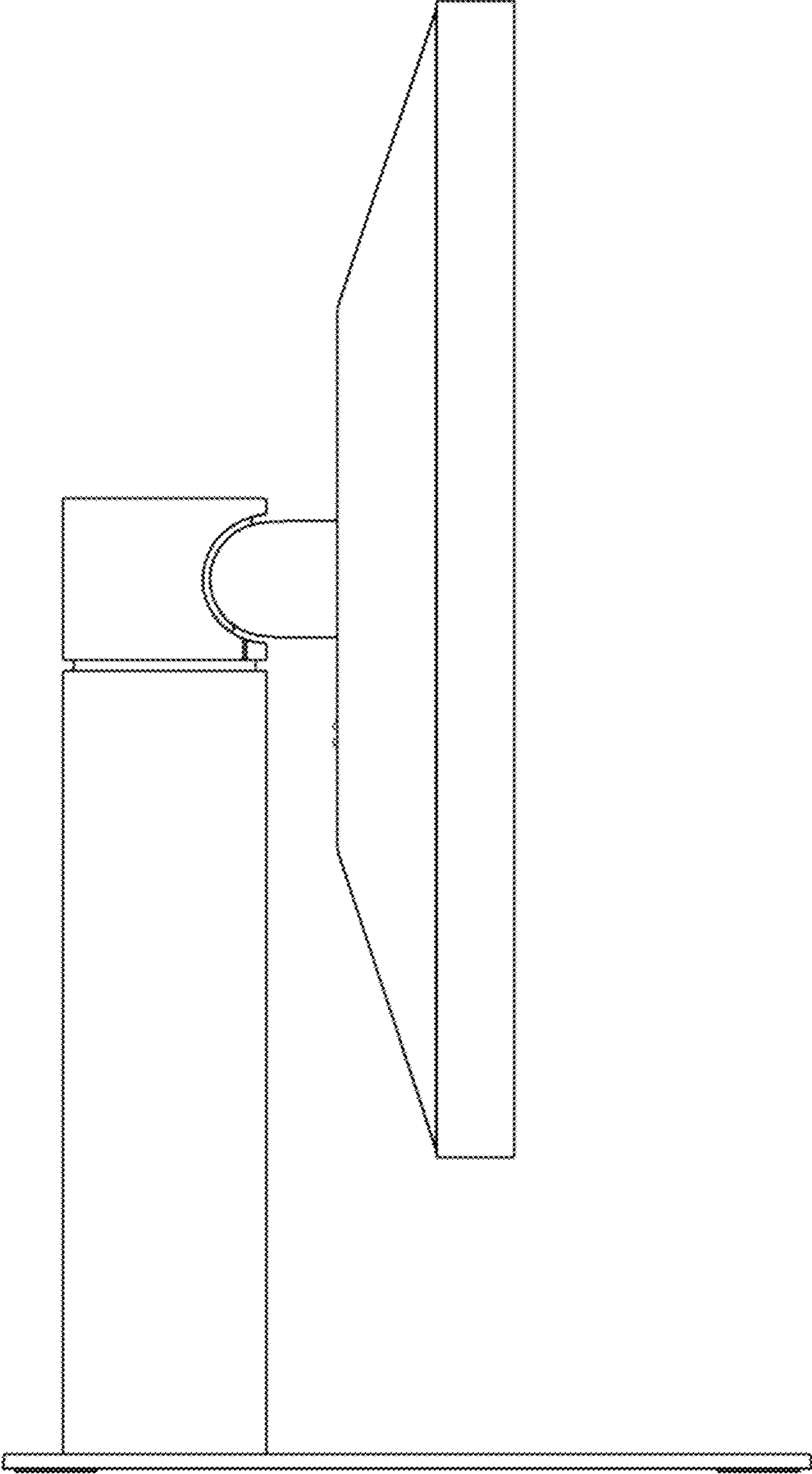
1.3



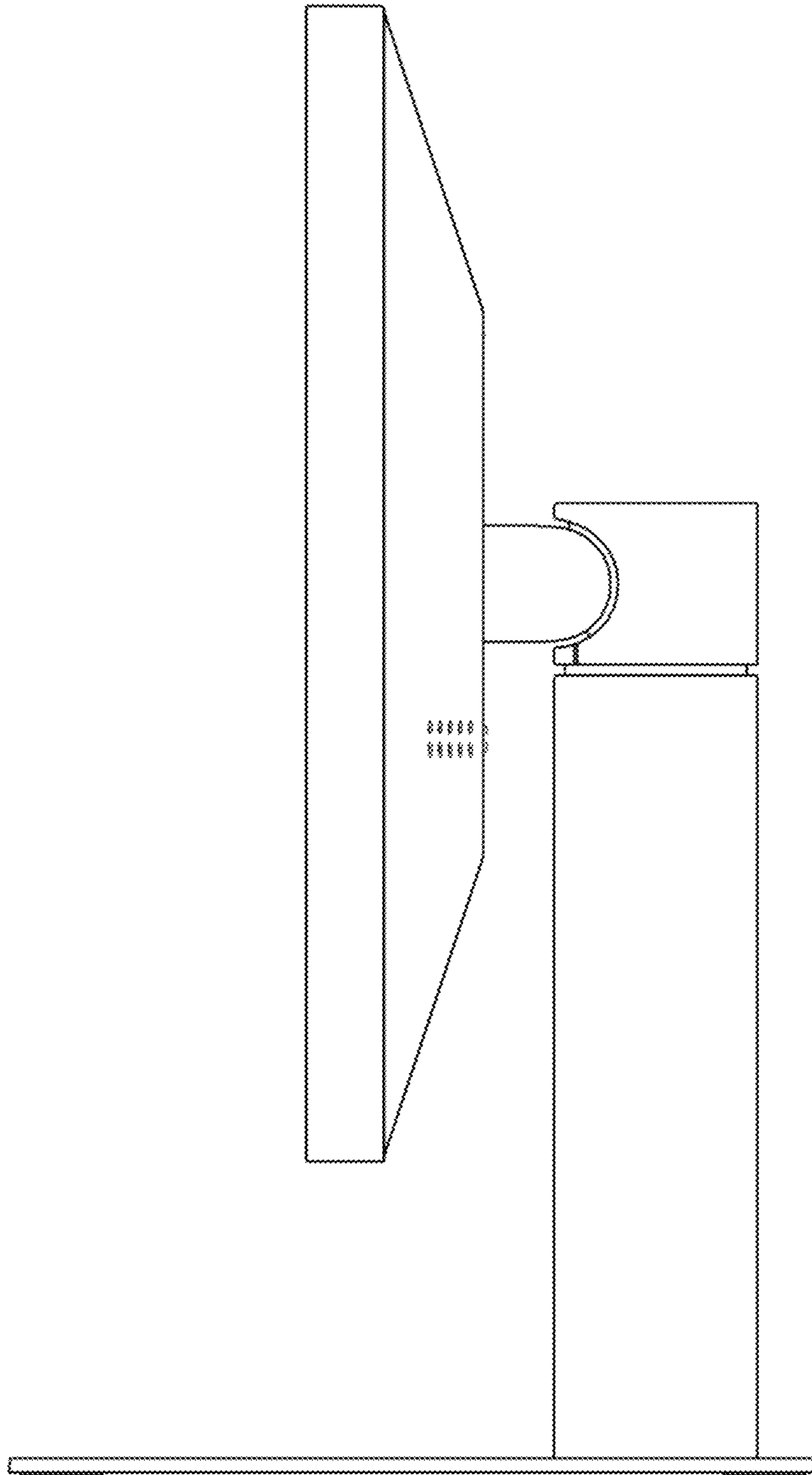
1.4



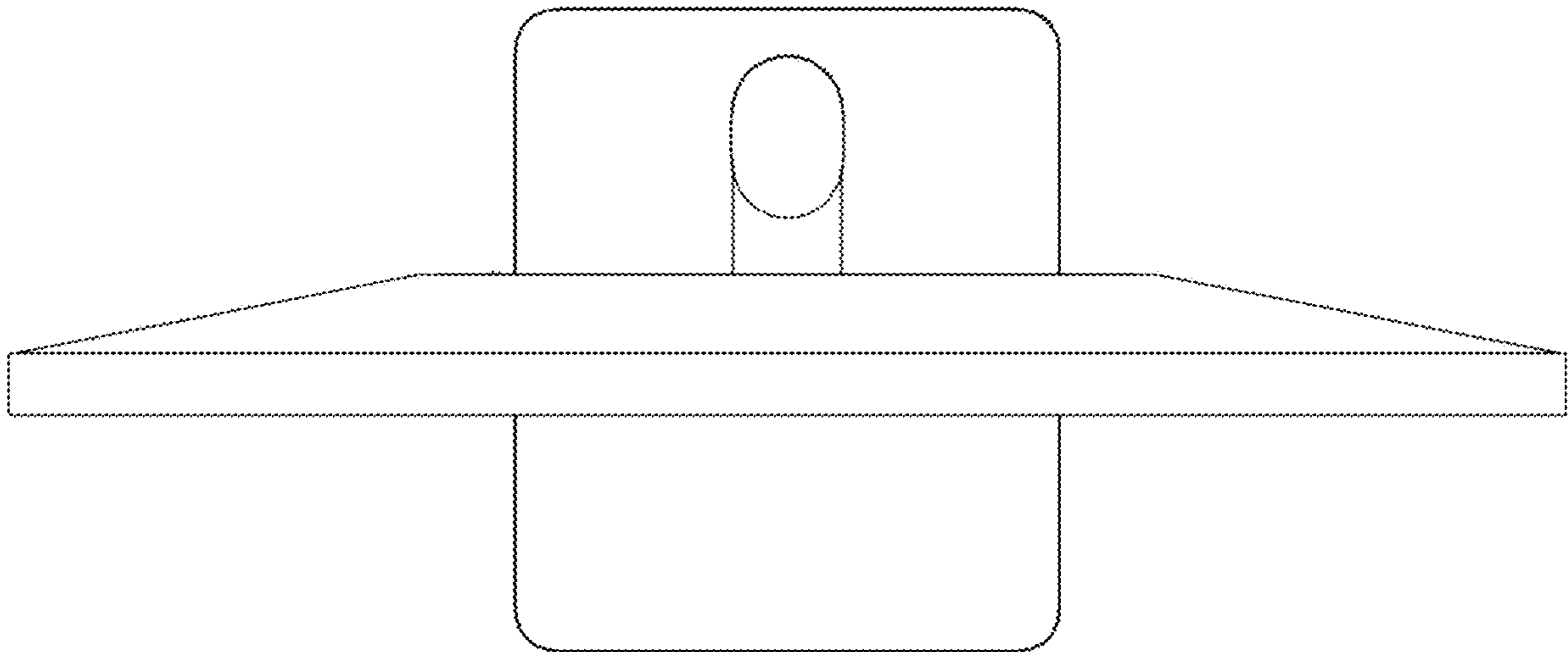
1.5



1.6



1.7



1.8

