



US00D888677S

(12) **United States Design Patent**
Ryu et al.

(10) **Patent No.:** **US D888,677 S**
(45) **Date of Patent:** **** Jun. 30, 2020**

(54) **MONITOR FOR COMPUTER**
(71) Applicant: **LG ELECTRONICS INC., Seoul (KR)**

(72) Inventors: **Daihyung Ryu, Seoul (KR); Yeonjin Kim, Seoul (KR)**

(73) Assignee: **LG Electronics Inc., Seoul (KR)**

(**) Term: **15 Years**

(21) Appl. No.: **35/506,735**

(22) Filed: **Nov. 15, 2018**

(80) **Hague Agreement Data**

Int. Filing Date: **Nov. 15, 2018**
Int. Reg. No.: **DM/200262**
Int. Reg. Date: **Nov. 15, 2018**
Int. Reg. Pub. Date: **May 17, 2019**

(30) **Foreign Application Priority Data**

May 18, 2018 (KR) 30-2018-0023207

(51) **LOC (12) Cl.** **14-03**

(52) **U.S. Cl.**
USPC **D14/126**
CPC **G06F 1/1605 (2013.01)**

(58) **Field of Classification Search**
USPC D14/126, 336, 371, 374, 377
CPC G06F 2200/1612; G06F 1/1605; G06F 21/84; G06F 2200/1631; H04N 5/64; H04N 5/645; H05K 5/00; H05K 5/0204
See application file for complete search history.

(56) **References Cited**

U.S. PATENT DOCUMENTS

D620,901 S * 8/2010 Won D14/126
D664,940 S * 8/2012 Kim D14/126

D669,870 S * 10/2012 Kim D14/126
D680,508 S * 4/2013 Kim D14/126
D682,227 S * 5/2013 Lee D14/126
D717,751 S * 11/2014 Shin D14/126
D718,728 S * 12/2014 Park D14/126
D723,483 S * 3/2015 Lee D14/126
D725,616 S * 3/2015 Oh D14/126
D726,666 S * 4/2015 Hwangbo D14/126
D763,213 S * 8/2016 Ann D14/126
D781,260 S * 3/2017 Song D14/126
D790,541 S * 6/2017 Jung D14/374
D790,542 S * 6/2017 Jung D14/374
D817,900 S * 5/2018 So D14/126
D831,647 S * 10/2018 Woo D14/374
D836,583 S * 12/2018 Cha D14/126
D858,473 S * 9/2019 Lee D14/126
D872,085 S * 1/2020 Lee D14/374

* cited by examiner

Primary Examiner — Richard E Chilcot
(74) *Attorney, Agent, or Firm* — Birch, Stewart, Kolasch & Birch, LLP

(57) **CLAIM**

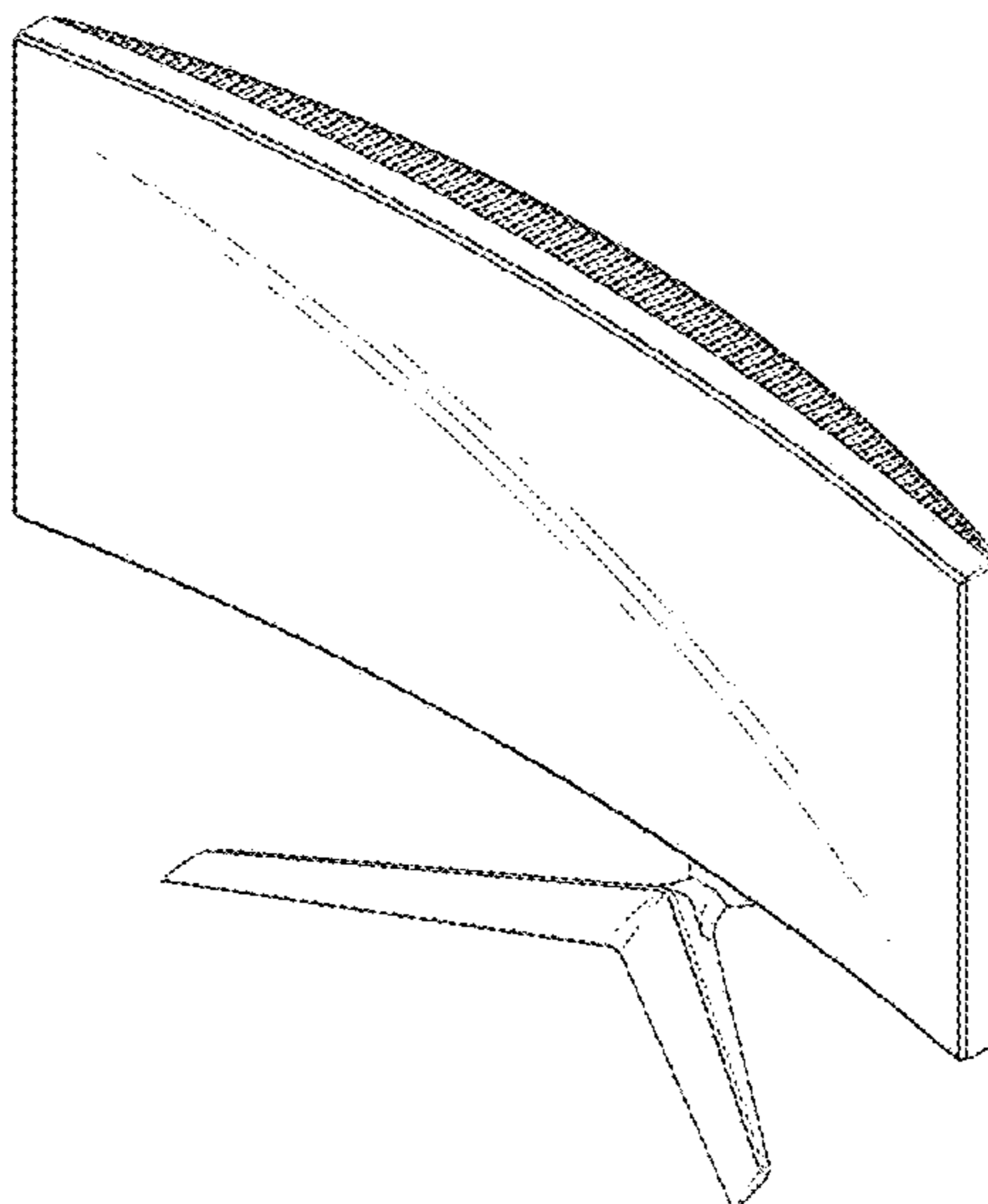
The ornamental design for a monitor for computer, as shown and described.

DESCRIPTION

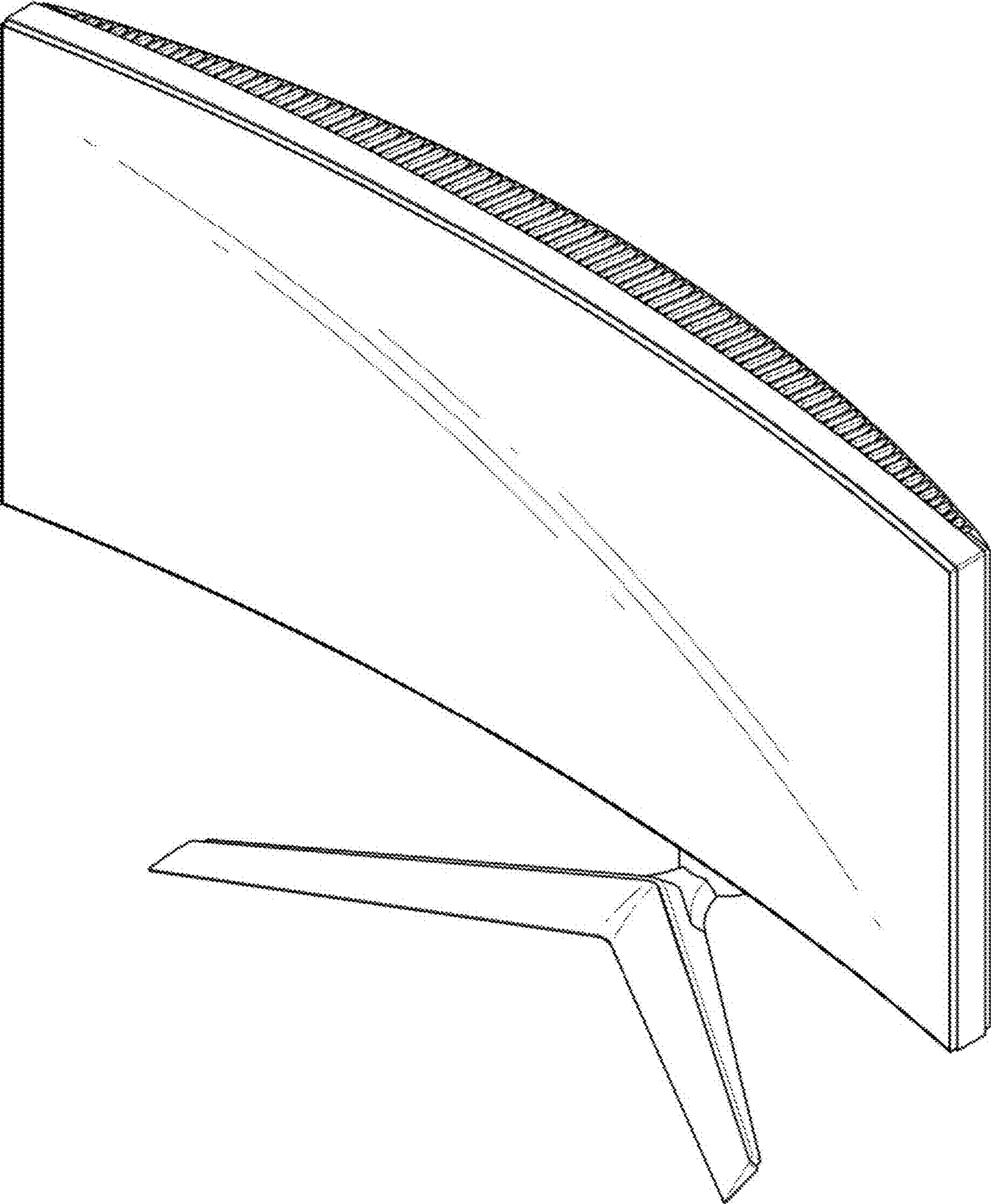
- 1. Monitor for computer
- 1.1: Perspective
- 1.2 : Rear perspective
- 1.3: Front
- 1.4: Back
- 1.5: Left
- 1.6: Right
- 1.7: Top
- 1.8: Bottom

The broken lines indicate portions of the article that form no part of the claimed design.

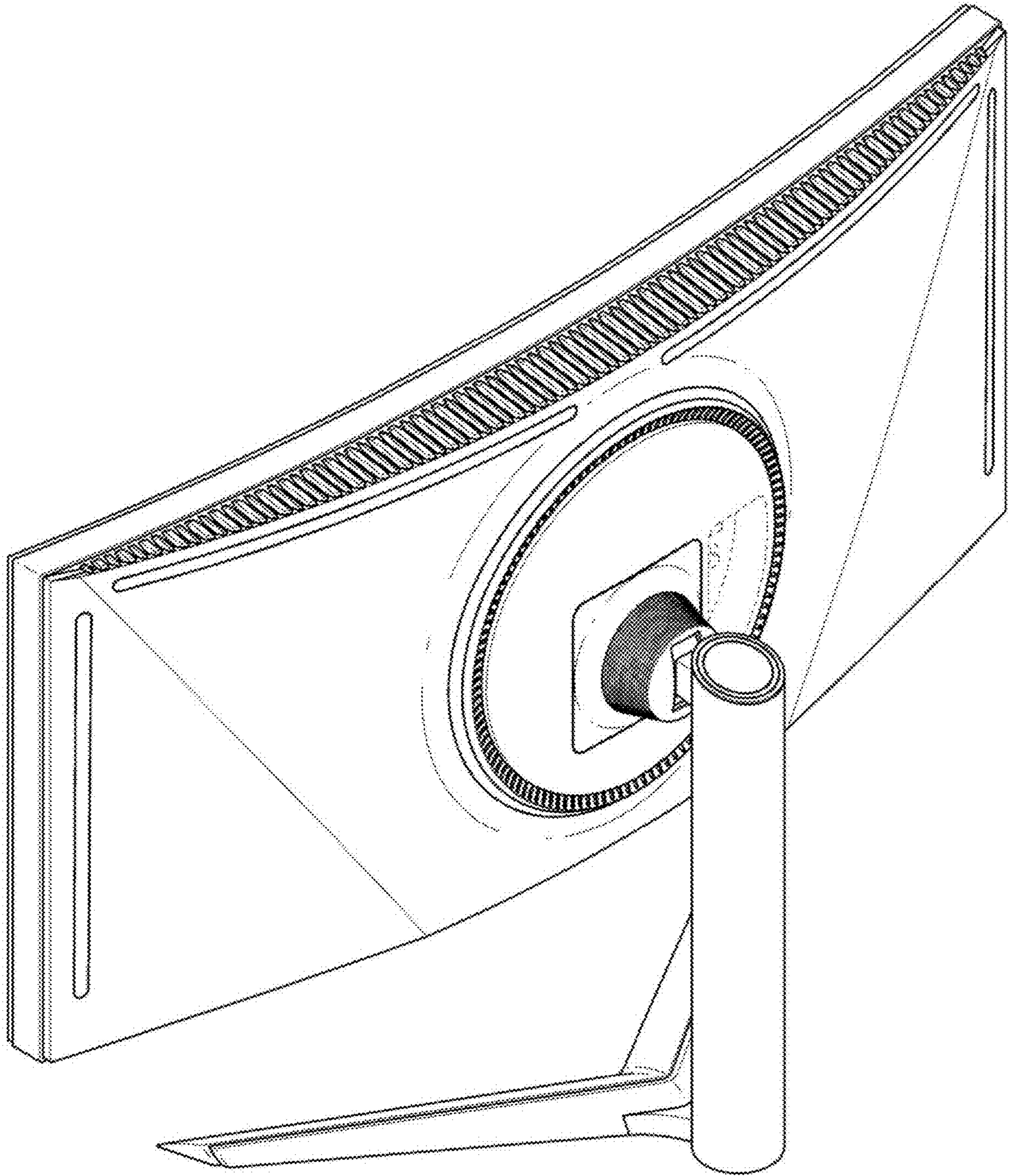
1 Claim, 8 Drawing Sheets



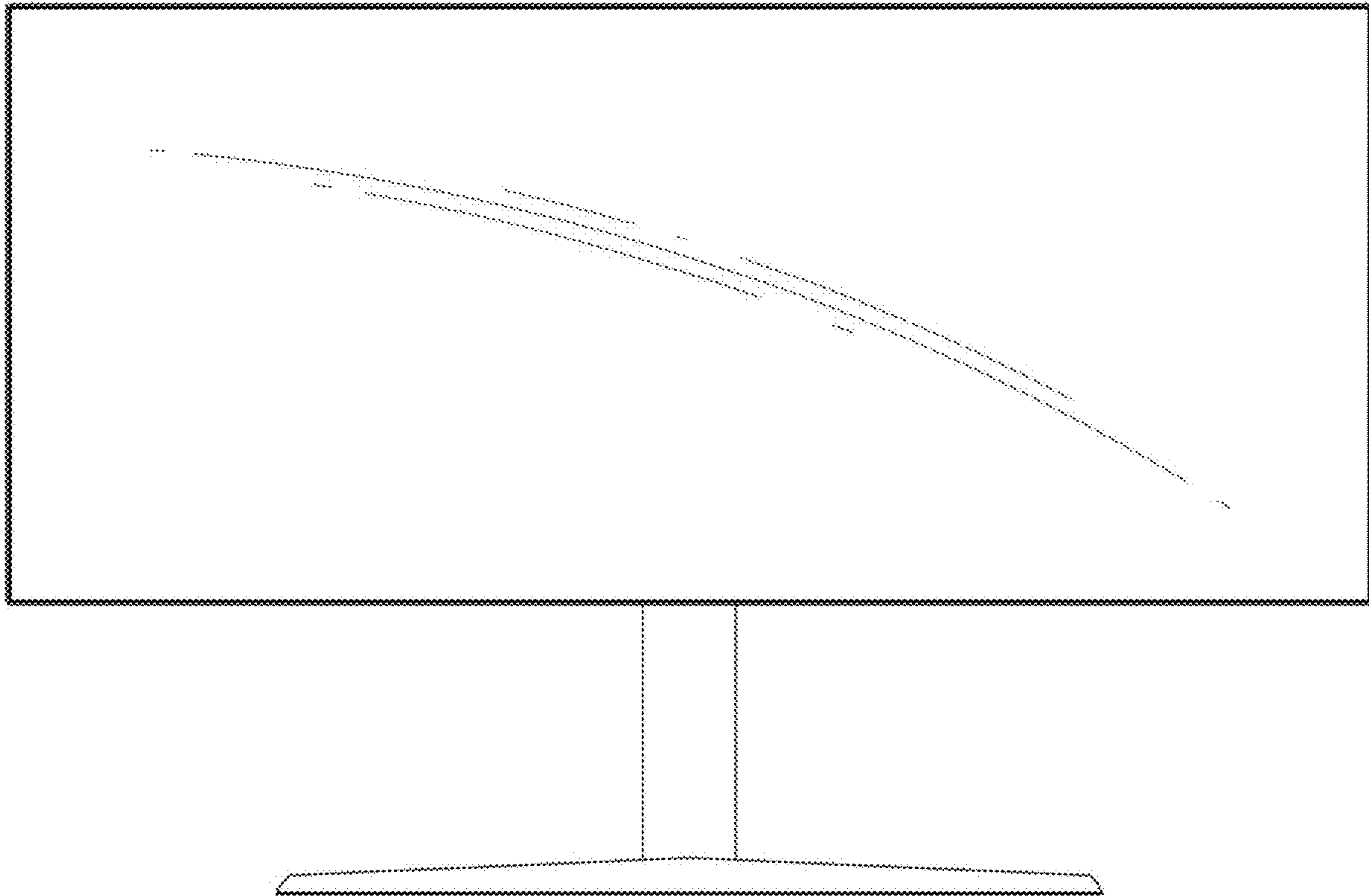
1.1



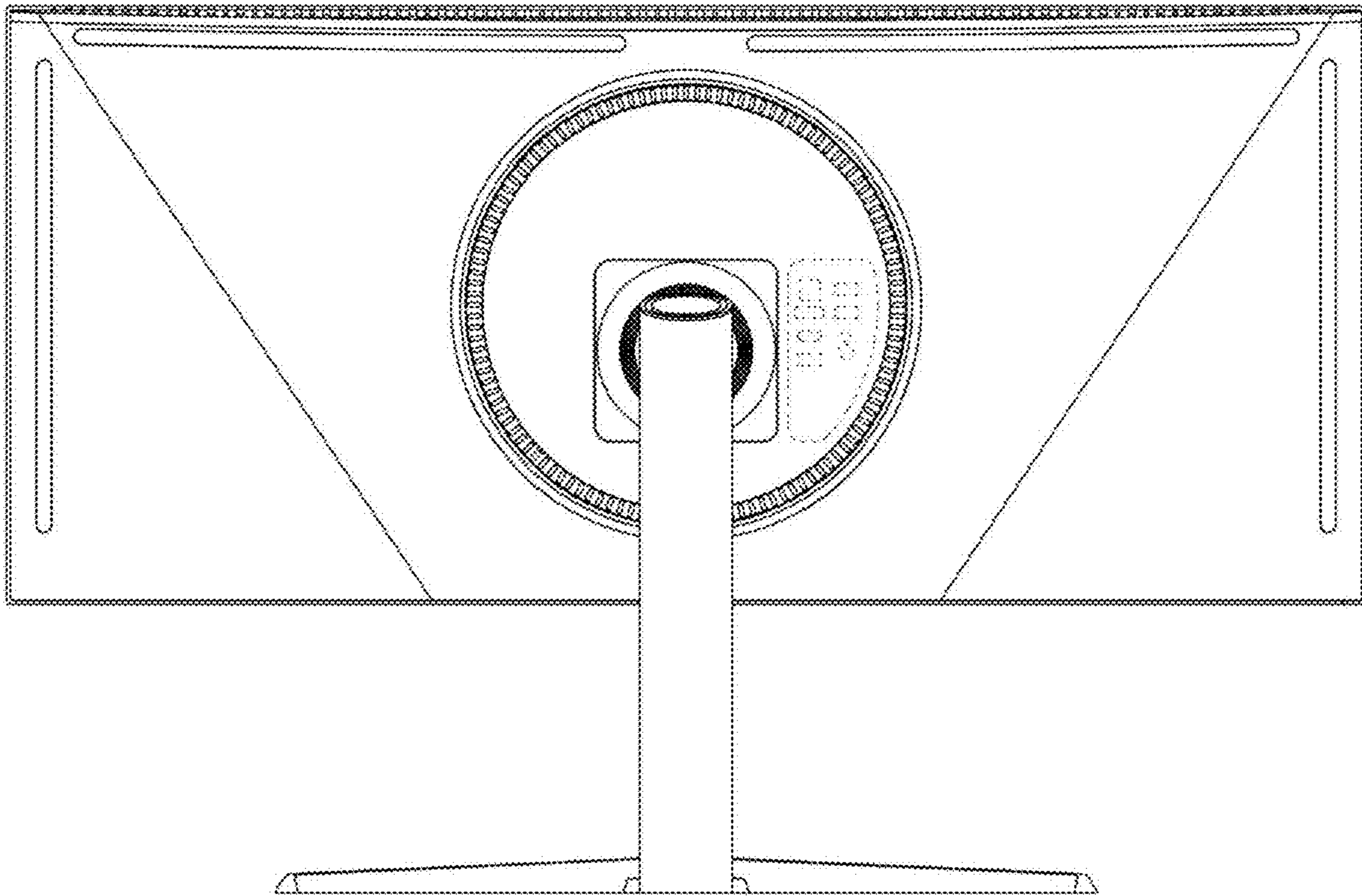
1.2



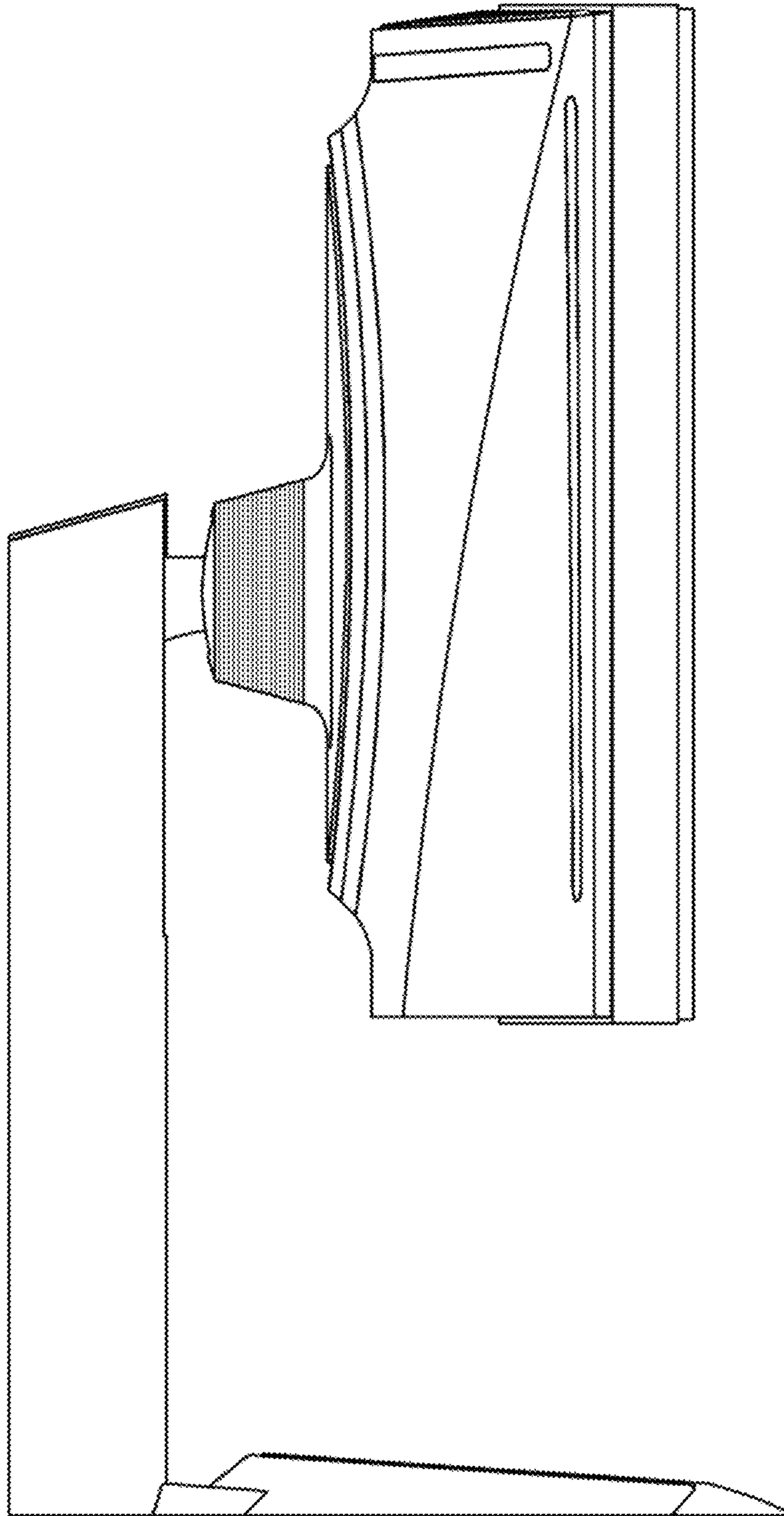
1.3



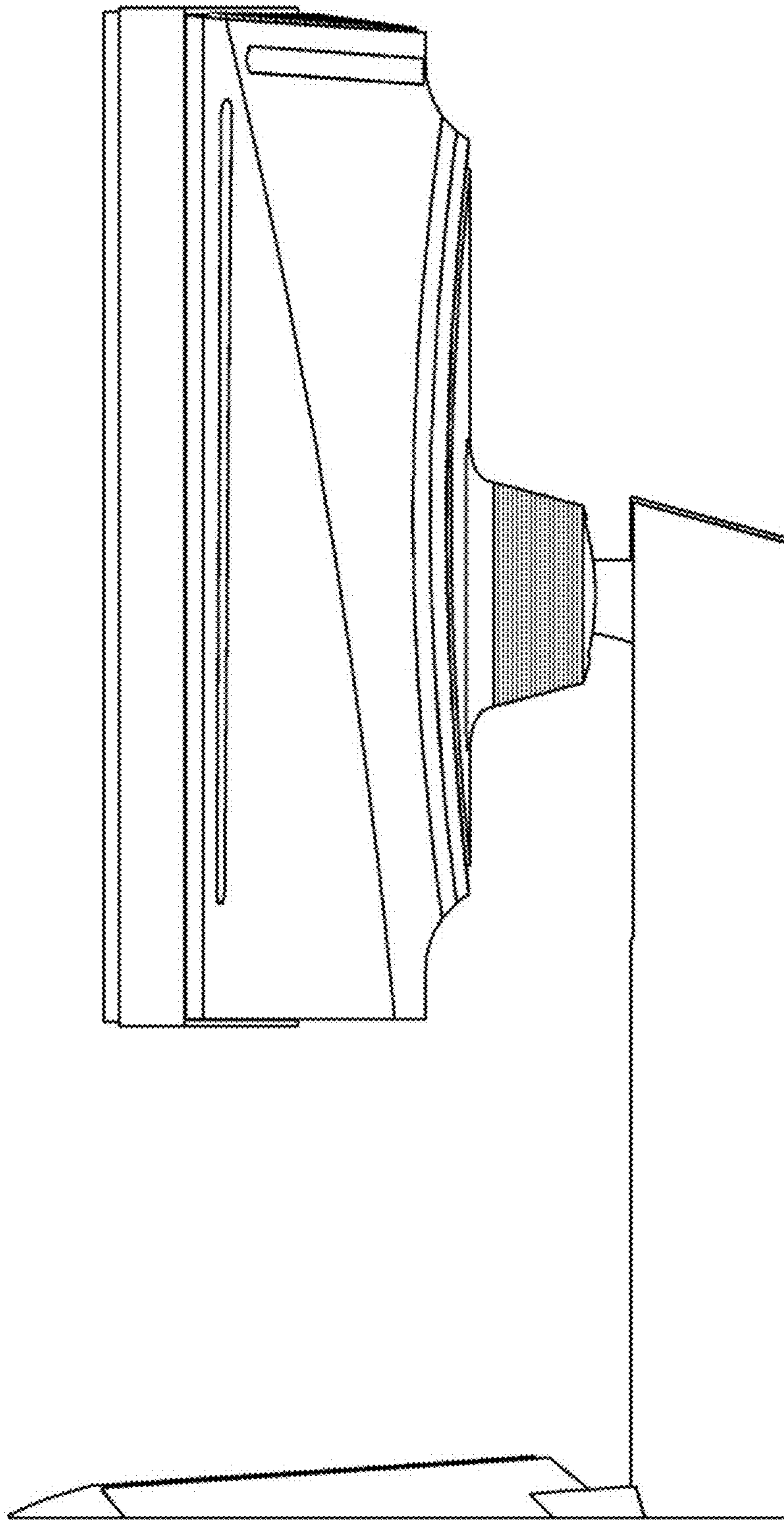
1.4



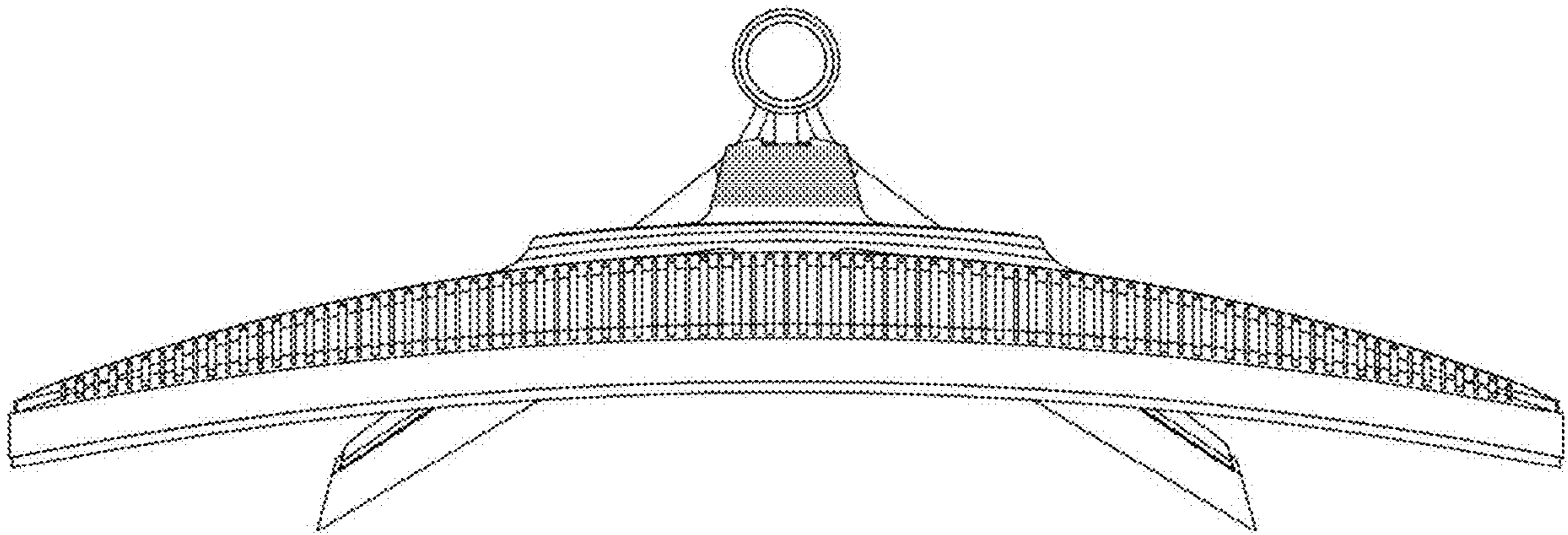
1.5



1.6



1.7



1.8

