



US00D888670S

(12) **United States Design Patent** (10) **Patent No.:** **US D888,670 S**
Faith et al. (45) **Date of Patent:** **** Jun. 30, 2020**

(54) **CABLE CONNECTORS**
(71) Applicant: **SAMTEC, INC.**, New Albany, IN (US)
(72) Inventors: **Chadrick P. Faith**, New Albany, IN (US); **Liam P. Parkes**, New Albany, IN (US)
(73) Assignee: **SAMTEC, INC.**, New Albany, IN (US)

6,304,436 B1 10/2001 Branch et al.
D488,781 S * 4/2004 Taguchi D13/147
D489,334 S * 5/2004 Taguchi D13/147
D490,378 S * 5/2004 Chung D13/147
D491,893 S * 6/2004 Chen H01R 12/714
D13/147
D530,284 S * 10/2006 Su D13/147
D531,958 S * 11/2006 Yang D13/147

(Continued)

(**) Term: **15 Years**
(21) Appl. No.: **35/001,522**

FOREIGN PATENT DOCUMENTS

WO 2017/218771 A1 12/2017
WO 2018/045026 A1 3/2018

(22) Filed: **Apr. 20, 2018**

OTHER PUBLICATIONS

(80) **Hague Agreement Data**
Int. Filing Date: **Apr. 20, 2018**
Int. Reg. No.: **DM/101584**
Int. Reg. Date: **Apr. 20, 2018**
Int. Reg. Pub. Date: **Oct. 26, 2018**

Faith, et al.; "Cable Connector"; U.S. Appl. No. 29/652,010, filed Oct. 19, 2018.

Primary Examiner — Barbara Fox
Assistant Examiner — Nathaniel D. Buckner
(74) *Attorney, Agent, or Firm* — Keating & Bennett, LLP

(51) **LOC (12) Cl.** **13-03**
(52) **U.S. Cl.**
USPC **D13/147**

(57) **CLAIM**

(58) **Field of Classification Search**
USPC D13/147, 154
CPC .. G02B 6/4214; G02B 6/4249; G02B 6/4292;
G02B 6/32; G02B 6/3879; G02B 6/3885;
G02B 6/3893; G02B 6/3897; G02B
6/4206; G02B 6/423; G02B 6/4231;
G02B 6/426; G02B 6/4269; G02B 6/428;
G02B 6/4284; G02B 6/43; H01R 12/716;
H01R 12/57; H01R 12/724; H01R 12/73;
H01R 12/77; H01R 12/88; H01R 13/514;
H01R 13/41; H01R 13/6315; H01R
13/646; H01R 13/6473; H01R 13/6477
See application file for complete search history.

The ornamental design for a cable connector, as shown and described.

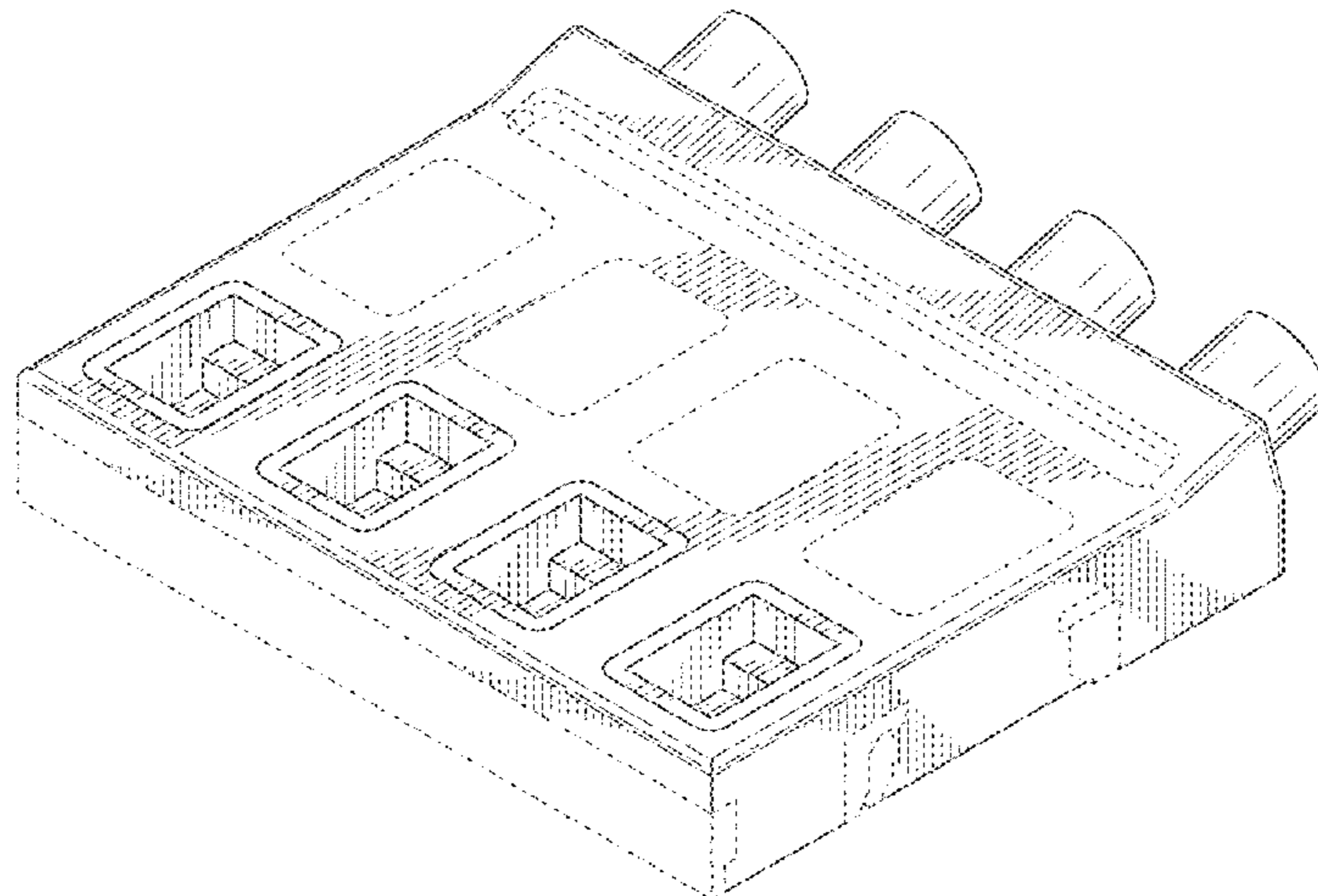
DESCRIPTION

(56) **References Cited**
U.S. PATENT DOCUMENTS

1. Cable Connector
1.1 is top, front, and right perspective view of a Cable Connector showing our design;
1.2 is a bottom, back, and left perspective view thereof;
1.3 is a top view thereof;
1.4 is a bottom view thereof;
1.5 is a back view thereof;
1.6 is a front view thereof;
1.7 is a left side view thereof;
1.8 is a right side view thereof; and
1.9 is a top, front, and right perspective view of the Cable Connector attached to a substrate.

4,770,645 A 9/1988 Antes
D411,734 S * 6/1999 Hsiang D13/154

(Continued)



The broken lines shown in the reproductions depict portions of the Cable Connector or environmental structure that form no part of the claimed design.

1 Claim, 7 Drawing Sheets

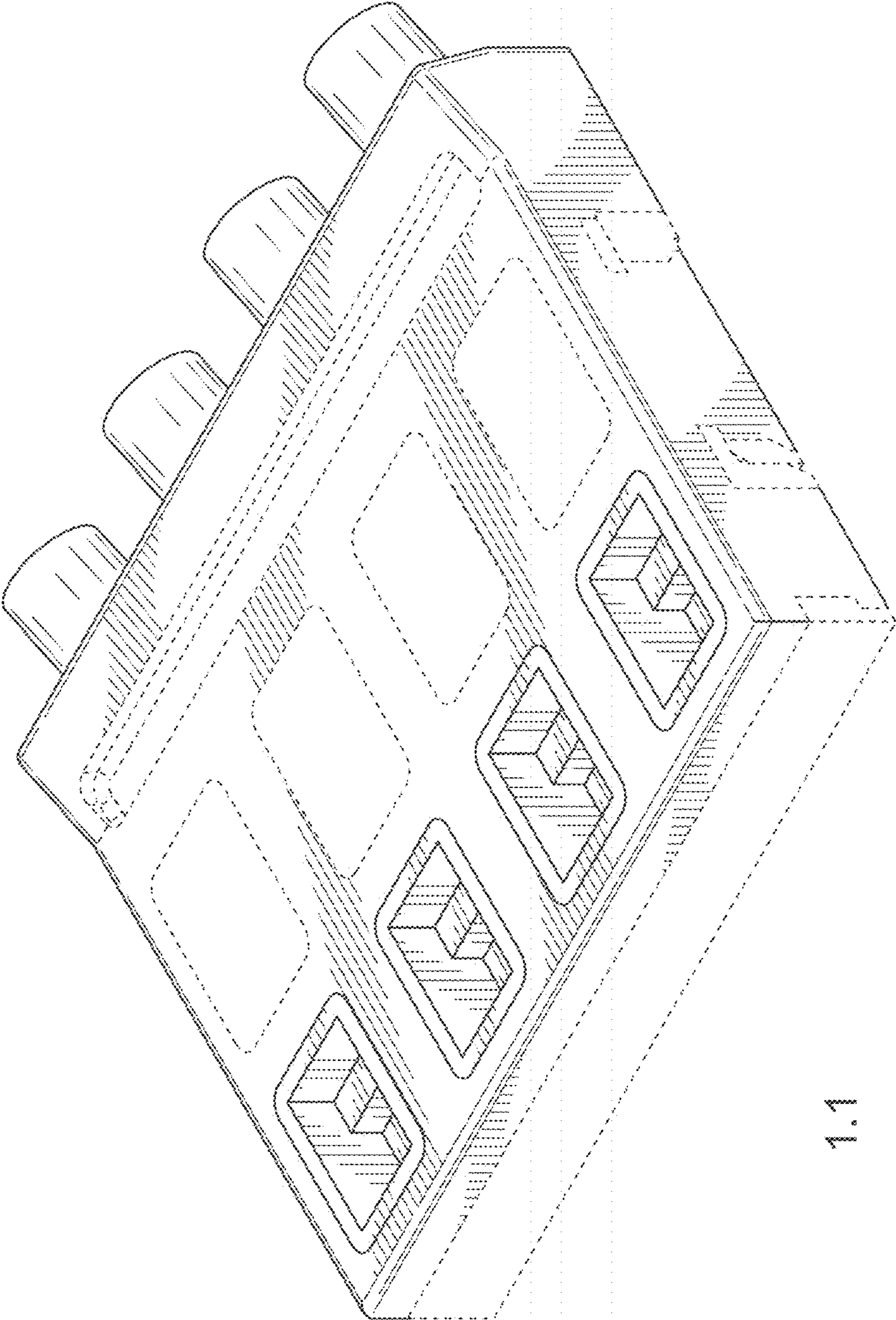
(56)

References Cited

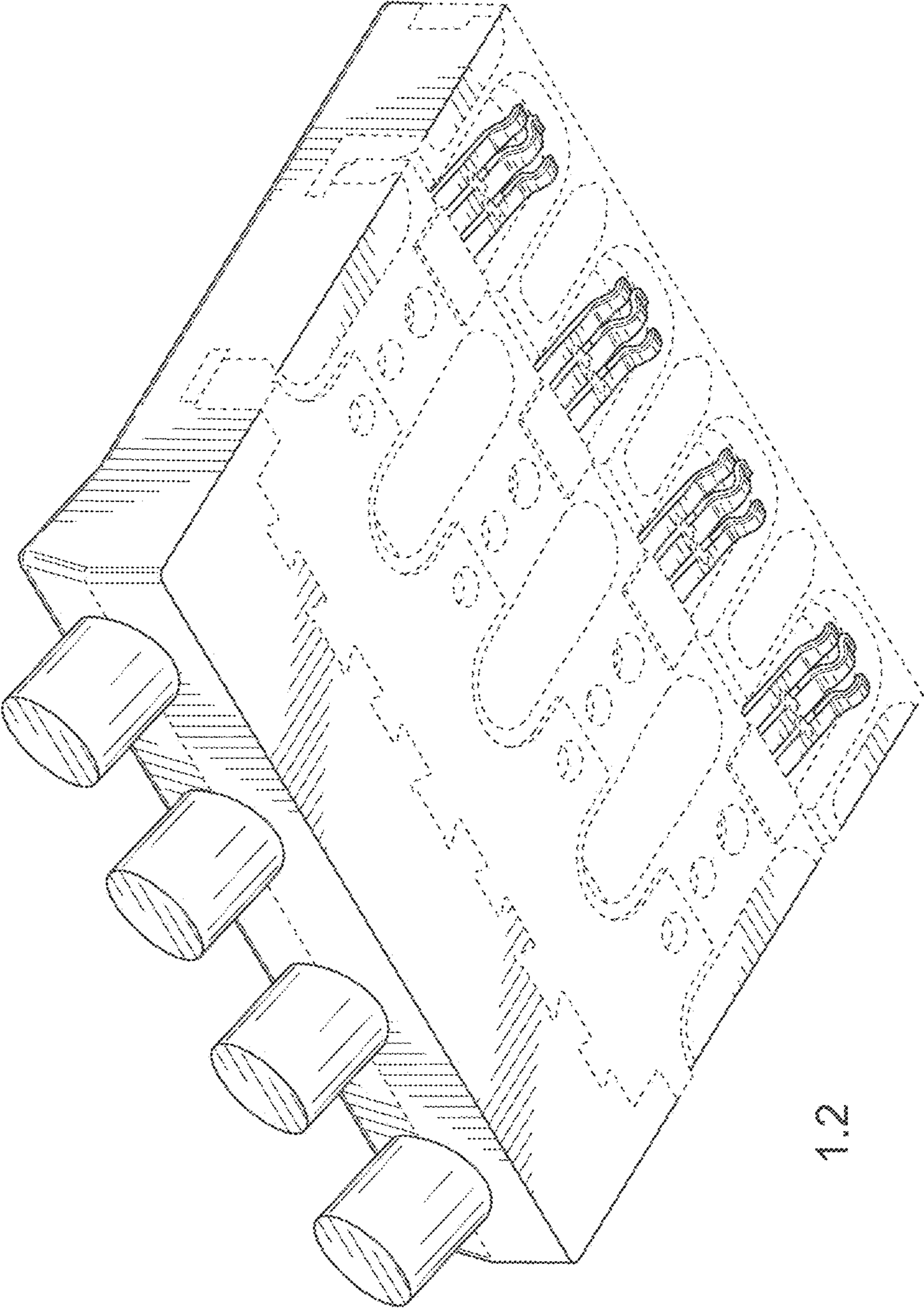
U.S. PATENT DOCUMENTS

D559,180 S *	1/2008	Lai	D13/120
D561,106 S *	2/2008	Ma	D13/147
D561,695 S *	2/2008	Hung	D13/133
D566,655 S *	4/2008	Chen	D13/147
7,377,804 B2	5/2008	Lin	
D578,075 S *	10/2008	Yang	D13/154
D595,231 S *	6/2009	Xu	D13/147
D649,518 S *	11/2011	Zhu	D13/147
D704,142 S *	5/2014	Kim	D13/147

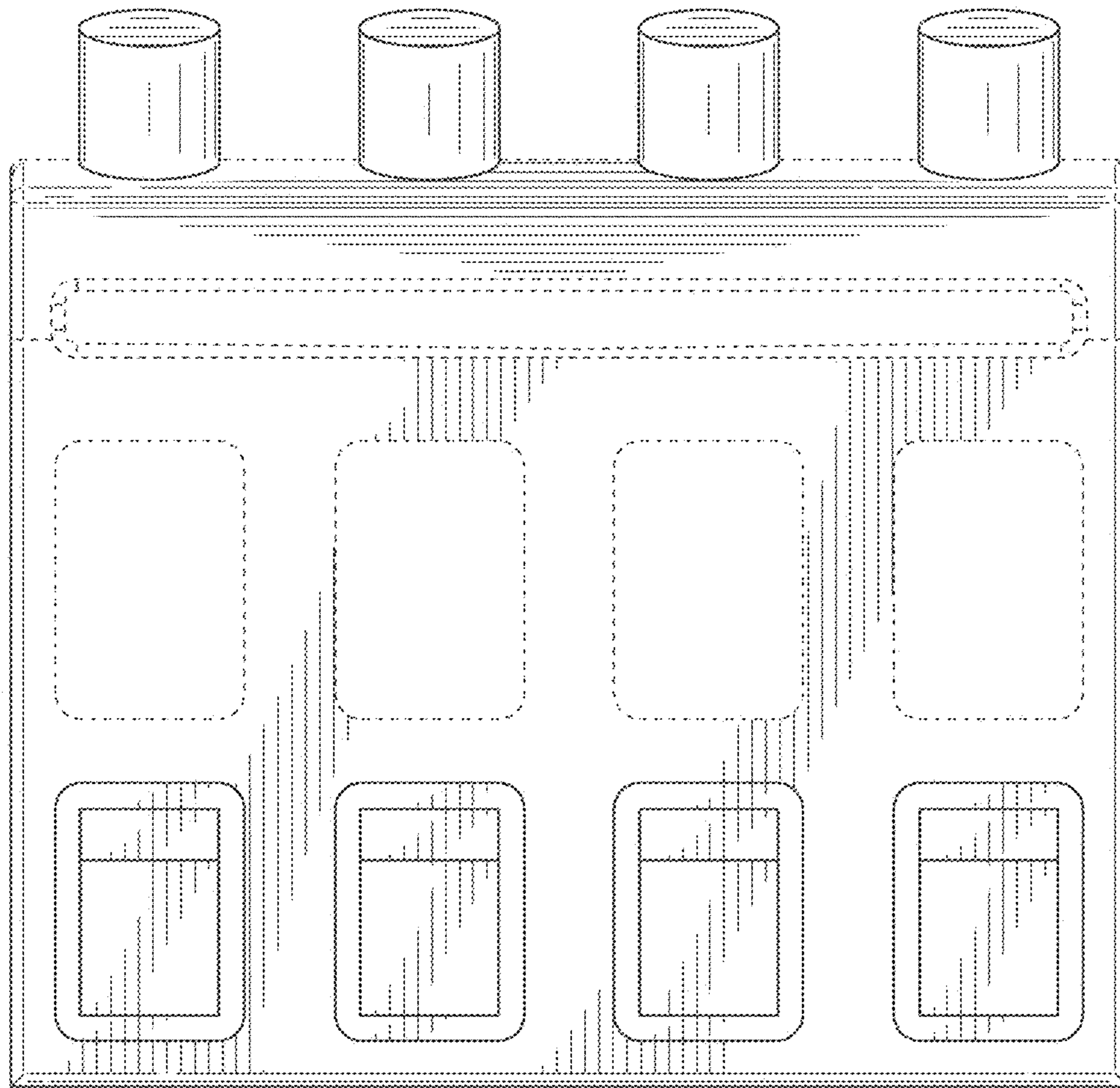
* cited by examiner



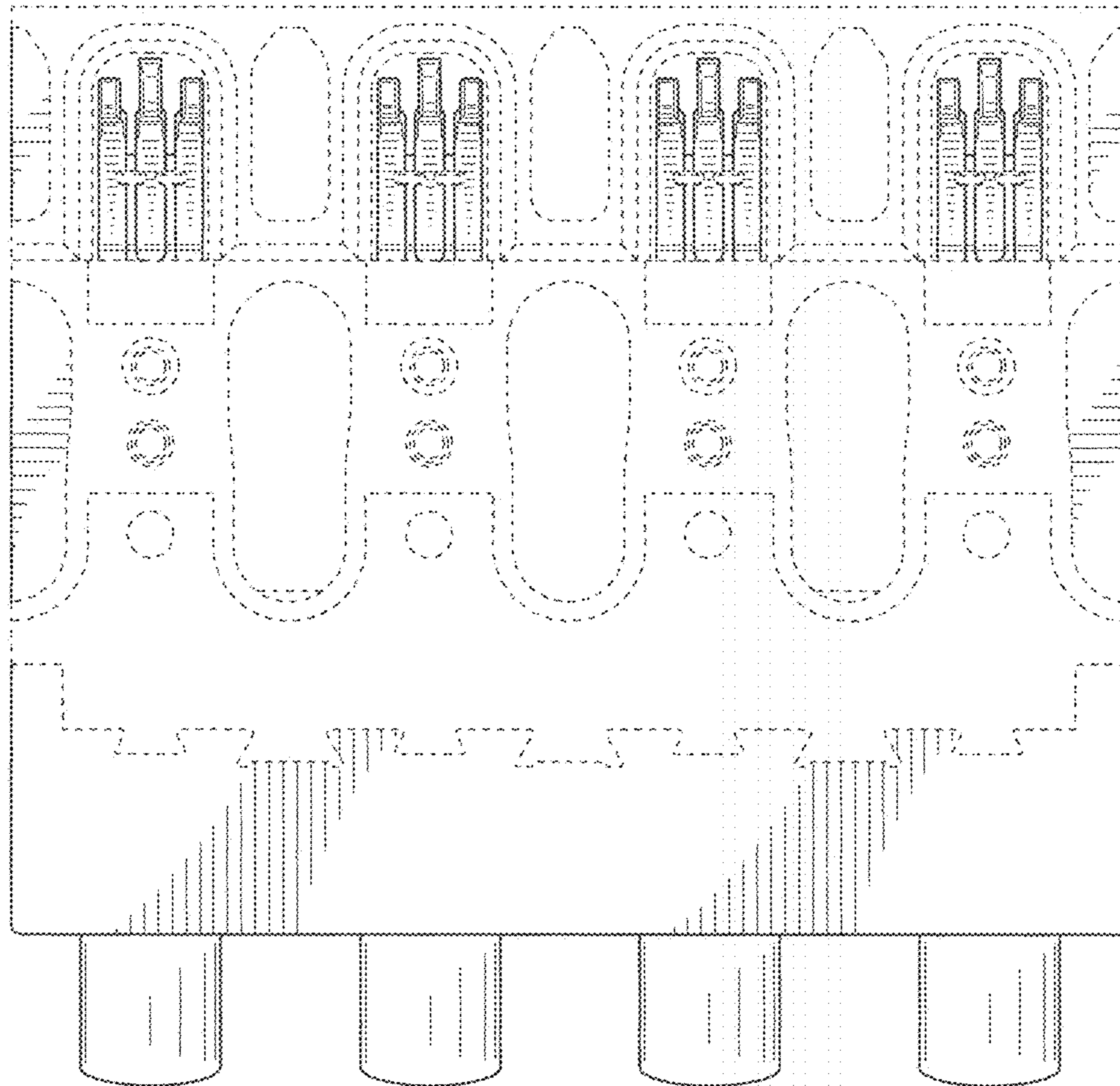
1.1

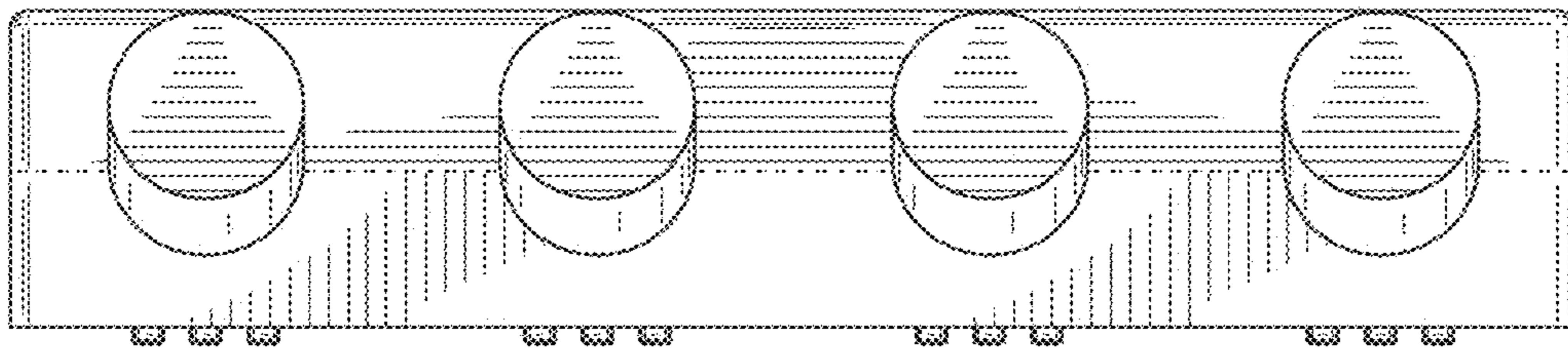


1.2

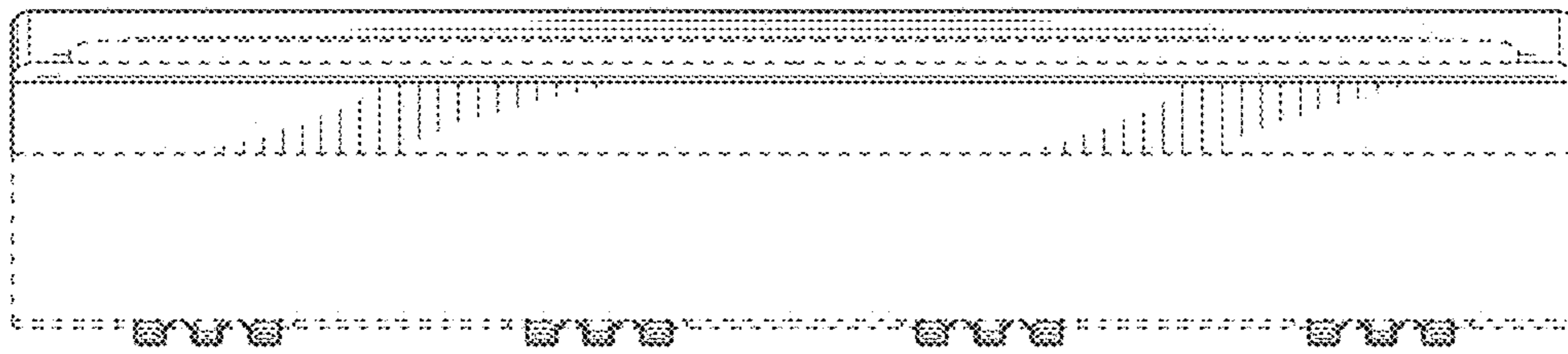


1.3

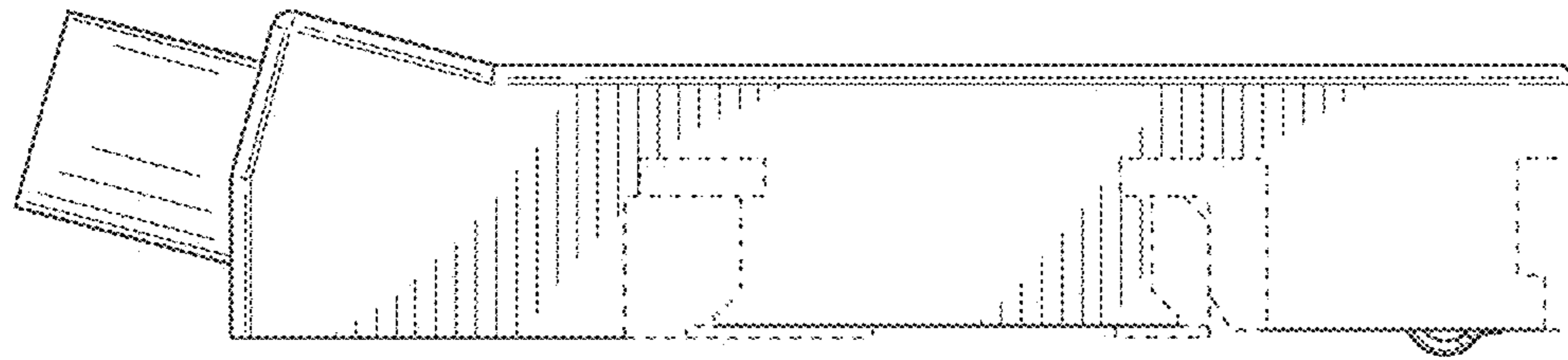




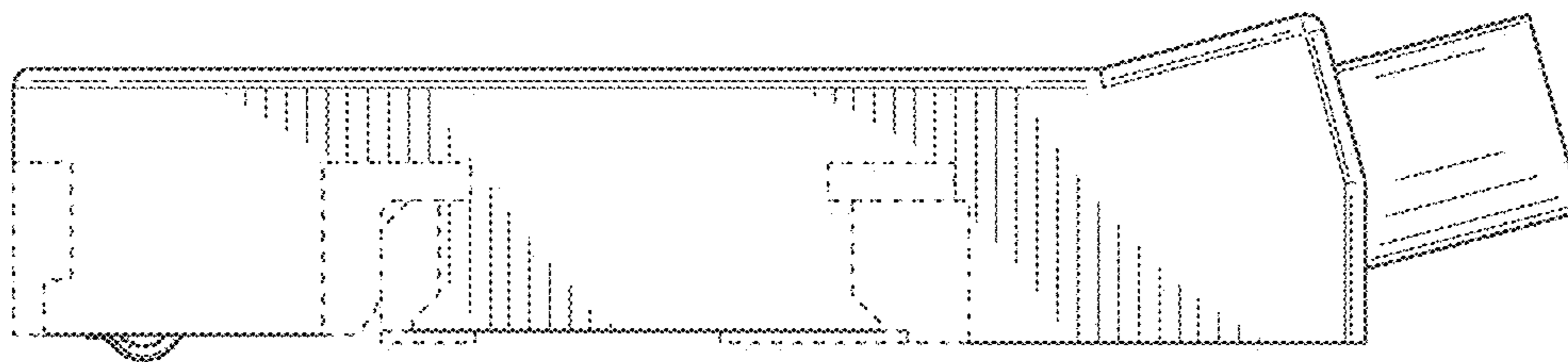
1.5



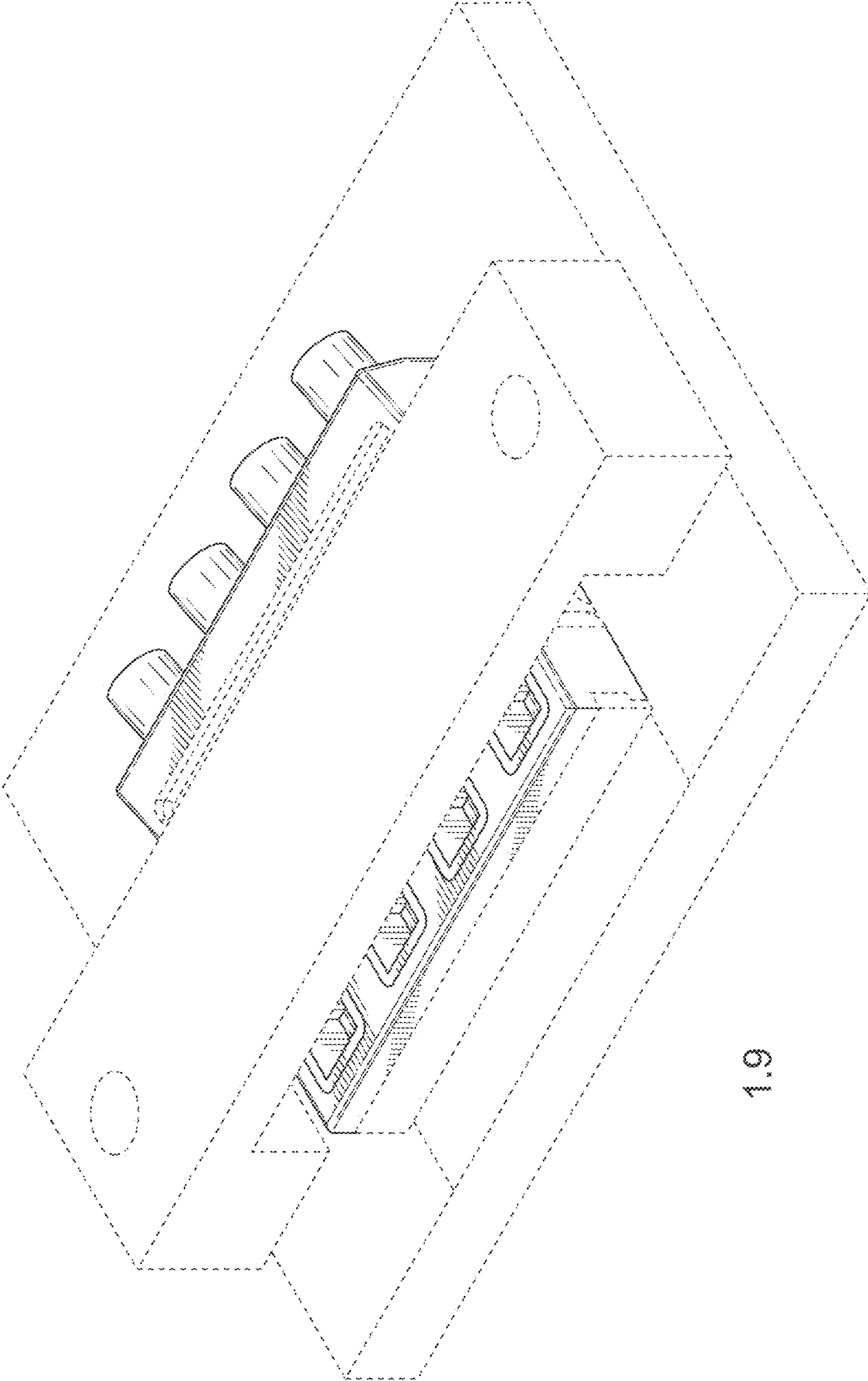
1.6



1.7



1.8



1.9