



US00D888669S

(12) **United States Design Patent** (10) **Patent No.:** **US D888,669 S**
Shimizu et al. (45) **Date of Patent:** **** Jun. 30, 2020**

(54) **TERMINAL METAL FITTING FOR CONDUCTIVE PLATE**

(56) **References Cited**

(71) Applicants: **AUTONETWORKS TECHNOLOGIES, LTD.**, Yokkaichi-shi, Mie-ken (JP); **SUMITOMO WIRING SYSTEMS, LTD.**, Yokkaichi-shi, Mie-ken (JP); **SUMITOMO ELECTRIC INDUSTRIES, LTD.**, Osaka (JP)

U.S. PATENT DOCUMENTS

D251,906 S * 5/1979 Frantz D13/147
D314,181 S * 1/1991 Yagi D13/147
(Continued)

FOREIGN PATENT DOCUMENTS

JP 968944 S 11/1996
JP 1005925 S 3/1998
(Continued)

(72) Inventors: **Toru Shimizu**, Yokkaichi (JP); **Sunghyun Byun**, Yokkaichi (JP)

OTHER PUBLICATIONS

(73) Assignees: **AUTONETWORKS TECHNOLOGIES, LTD.**, Yokkaichi-Shi (JP); **SUMITOMO WIRING SYSTEMS, LTD.**, Yokkaichi-Shi (JP); **SUMITOMO ELECTRIC INDUSTRIES, LTD.**, Osaka (JP)

Wesco Performance. Retro 3 Point Retractable Roadster Seat Belt Metal Seatbelt Buckle. No date specified. <https://www.wescoperformance.com/roadster-seat-belt-starburst.html> (Year: 0).*

Primary Examiner — Darcey E Gottschalk
(74) *Attorney, Agent, or Firm* — Cantor Colburn LLP

(**) Term: **15 Years**

(57) **CLAIM**

The ornamental design for a terminal metal fitting for conductive plate, as shown and described.

(21) Appl. No.: **29/681,868**

DESCRIPTION

(22) Filed: **Feb. 28, 2019**

FIG. 1 is a front, top and right side perspective view of a terminal metal fitting for conductive plate showing our new design;

(30) **Foreign Application Priority Data**

Sep. 12, 2018 (JP) 2018-019870

FIG. 2 is a front view thereof, the rear view being a mirror image of the front view;

(51) **LOC (12) Cl.** **13-03**

FIG. 3 is a top plan view thereof;

(52) **U.S. Cl.**

FIG. 4 is a bottom plan view thereof;

USPC **D13/146**

FIG. 5 is a right side view thereof; and,

(58) **Field of Classification Search**

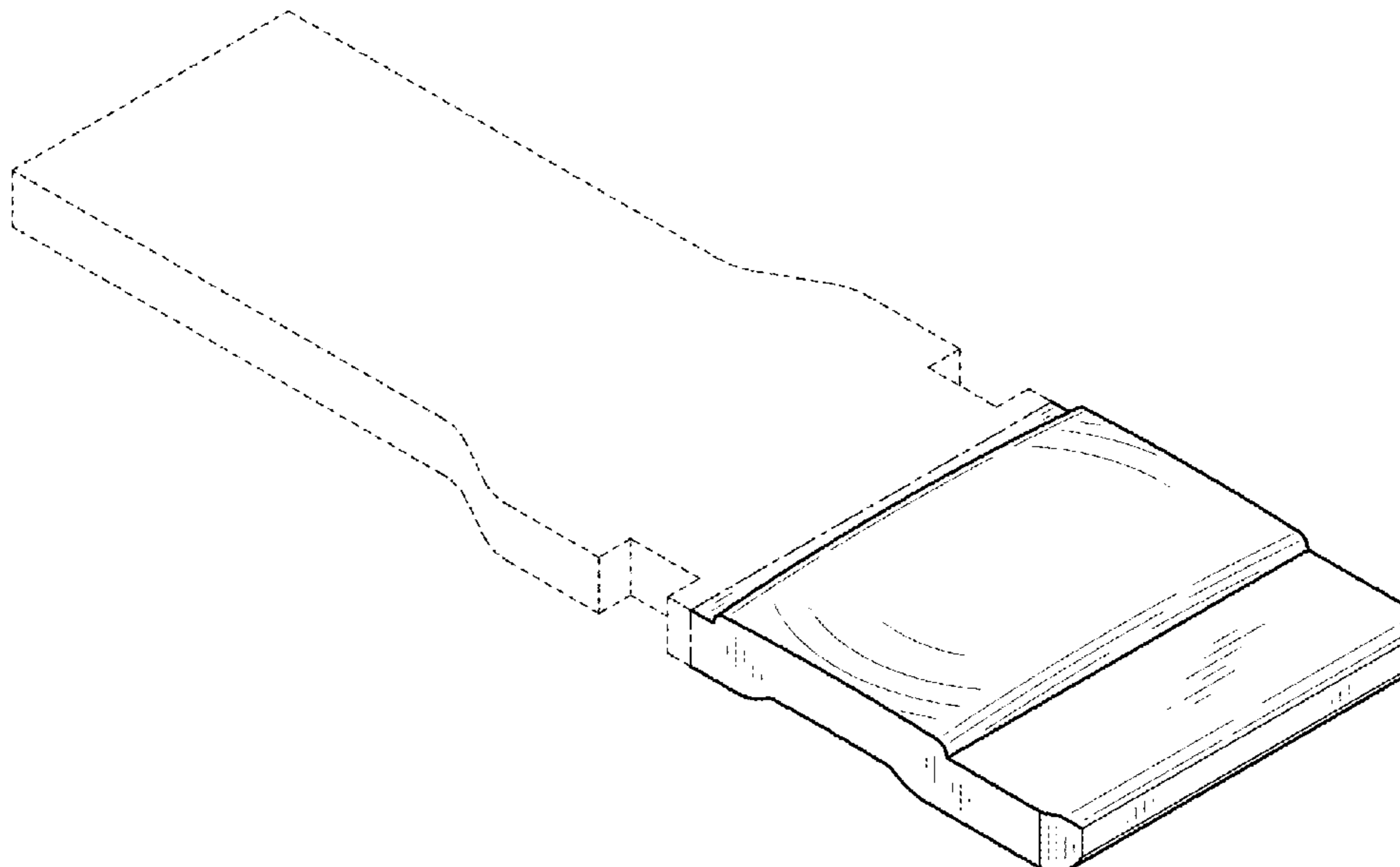
USPC D13/103, 107, 108, 110, 112, 118, 120, D13/123, 133, 137.1, 145-147, 149-156,

FIG. 6 is a left side view thereof.

The broken lines illustrate portions of the terminal metal fitting for conductive plate that form no part of the claimed design. The dash-dotted lines denote the boundary of the claim and form no part of the claimed design.

(Continued)

1 Claim, 5 Drawing Sheets



(58) **Field of Classification Search**

USPC D13/158, 173, 177, 184, 199, 242;
D14/240, 242, 433, 434, 435.1, 438;
D29/122
CPC H01R 13/627; H01R 13/639
See application file for complete search history.

(56) **References Cited**

U.S. PATENT DOCUMENTS

D741,554 S * 10/2015 Moreau D29/122
D778,508 S * 2/2017 Moreau D29/122
D781,507 S * 3/2017 Huh D29/122
D823,807 S * 7/2018 Armacost D13/146
2007/0111571 A1* 5/2007 Shen H05K 7/1007
439/157

FOREIGN PATENT DOCUMENTS

JP 1256096 S 11/2005
JP 1470331 S 5/2013
JP 1470533 S 5/2013
JP 1573083 S 4/2017

* cited by examiner

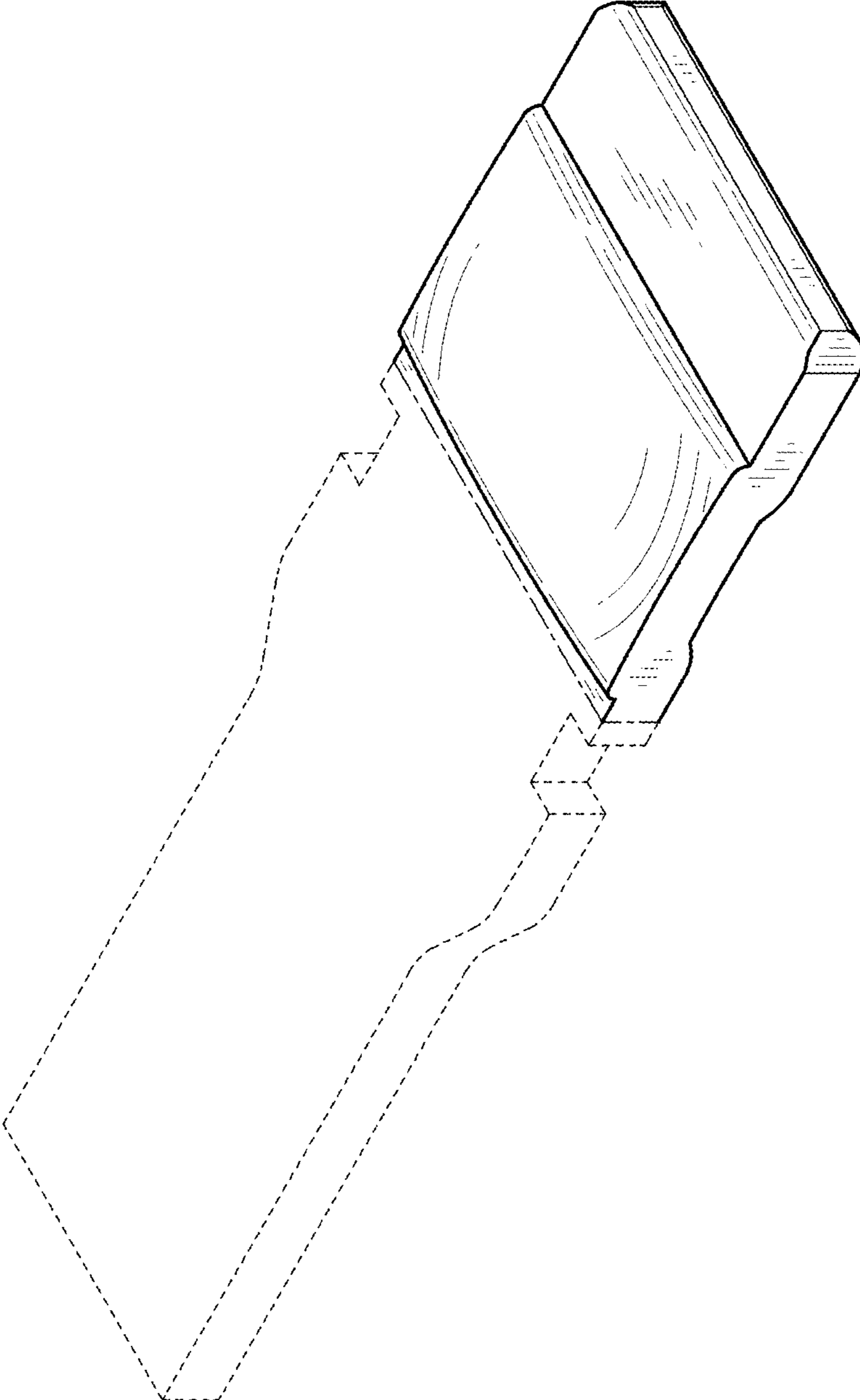
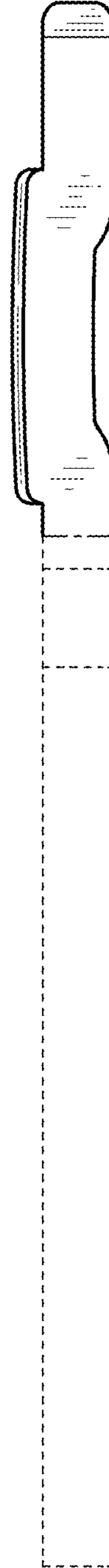


FIG.1

FIG.2



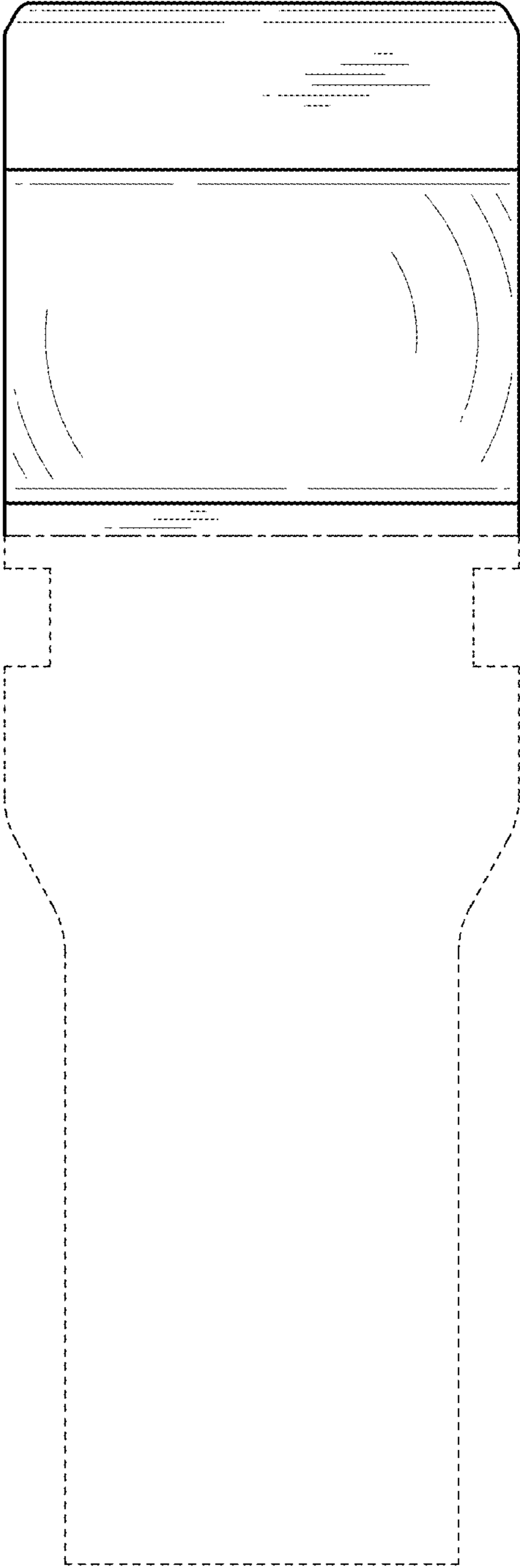


FIG.3

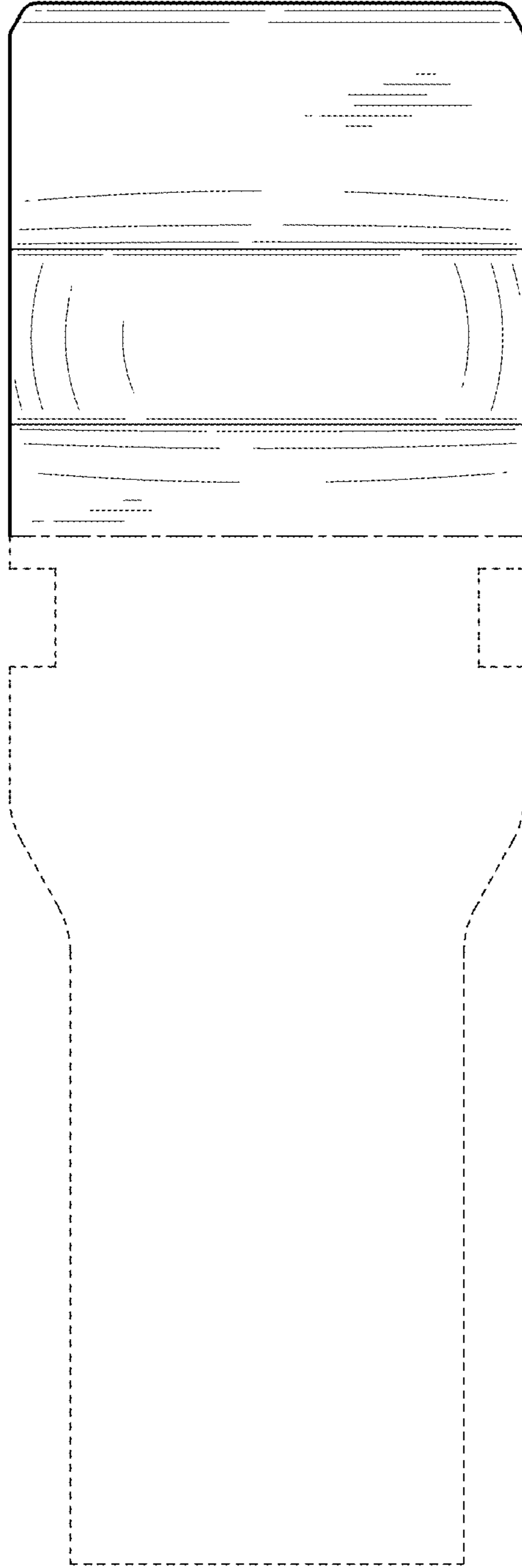


FIG.4

FIG.5

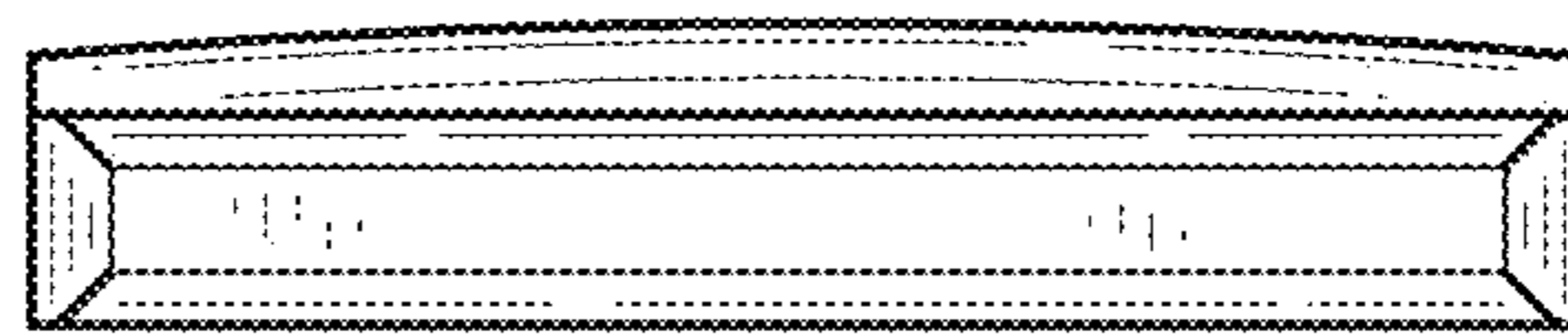


FIG.6

