



US00D888668S

(12) **United States Design Patent**  
**Yamamoto**

(10) **Patent No.:** **US D888,668 S**  
(45) **Date of Patent:** **\*\* Jun. 30, 2020**

(54) **AUXILIARY POWER OUTLET PLUG-IN CHARGER**

(71) Applicant: **Scosche Industries, Inc.**, Oxnard, CA (US)

(72) Inventor: **Yasuhiro Yamamoto**, Thousand Oaks, CA (US)

(73) Assignee: **Scosche Industries, Inc.**, Oxnard, CA (US)

(\*\*) Term: **15 Years**

(21) Appl. No.: **29/670,556**

(22) Filed: **Nov. 16, 2018**

(51) **LOC (12) Cl.** ..... **13-03**

(52) **U.S. Cl.**  
USPC ..... **D13/144**

(58) **Field of Classification Search**  
USPC ..... D13/144, 107, 108, 110, 118, 119, 120,  
D13/133, 154, 184, 199; D14/155, 217,  
D14/433

CPC .... H01R 24/58; H01R 2201/26; H01R 31/02;  
H02J 7/0042

See application file for complete search history.

(56) **References Cited**

**U.S. PATENT DOCUMENTS**

3,329,277	A	7/1967	Gaudino
3,642,122	A	2/1972	Ende
D306,396	S	3/1990	Brushaber
D317,697	S	6/1991	Lage
D327,840	S	7/1992	Askew
5,213,240	A	5/1993	Dietz et al.
D362,230	S	9/1995	Yokozawa
D362,657	S	9/1995	Tomikawa et al.
5,992,807	A	11/1999	Tarulli
6,075,499	A	6/2000	Edwards et al.
6,076,790	A	6/2000	Richter
6,135,408	A	10/2000	Richter

6,149,116	A	11/2000	Won
6,305,656	B1	10/2001	Wemyss
6,382,482	B1	5/2002	Chao
6,502,727	B1	1/2003	Decoteau
D479,196	S	9/2003	Shih
D489,578	S	5/2004	Lai
6,888,940	B1	5/2005	Deppen

(Continued)

**OTHER PUBLICATIONS**

The Original iMagnet Cradle-Less Universal Car Phone Windshield Dashboard Mount Holder for iPhone 6, 6 Plus, 6S, 6S Plus, 5S 5, Galaxy S6 S5, Note 5 4 3, With Official iMagnet Logo, iMagnet, Amazon.com, Aug. 19, 2012.

(Continued)

*Primary Examiner* — Derrick E Holland

*Assistant Examiner* — Jennifer O King

(74) *Attorney, Agent, or Firm* — Stetina Brunda Garred & Brucker

(57) **CLAIM**

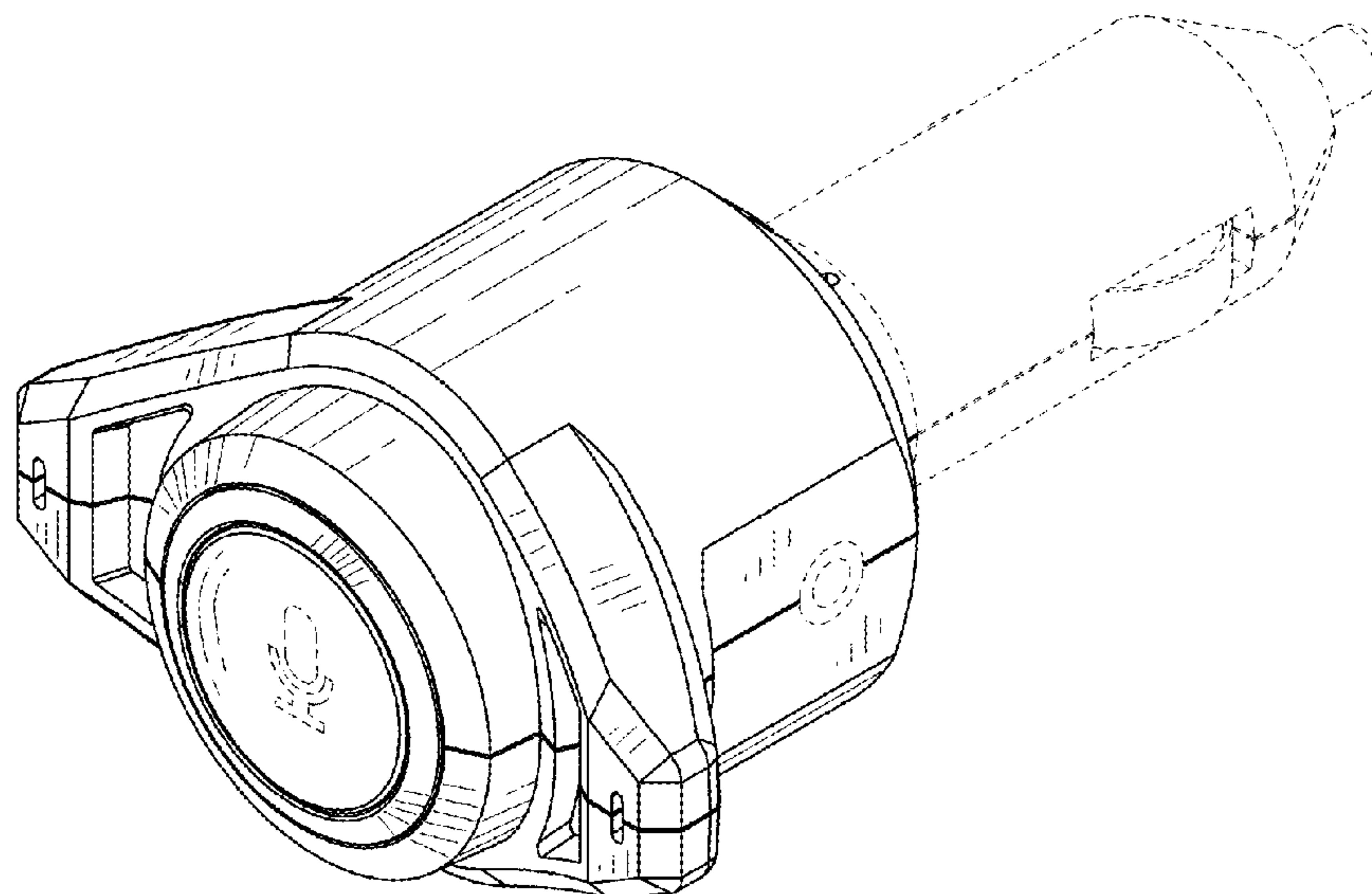
The ornamental design for an auxiliary power outlet plug-in charger, as shown and described.

**DESCRIPTION**

FIG. 1 is a front perspective view showing an auxiliary power outlet plug-in charger of the present invention; FIG. 2 is a rear perspective view thereof; FIG. 3 is a top view thereof; FIG. 4 is a left side view thereof; FIG. 5 is a right side view thereof; FIG. 6 is a bottom view thereof; FIG. 7 is front view thereof; and, FIG. 8 is a rear view thereof.

In the drawings, the broken line showings are for purposes of illustrating environmental structure or portions of the auxiliary power outlet plug-in charger that form no part of the claimed design.

**1 Claim, 3 Drawing Sheets**



(56)

References Cited

U.S. PATENT DOCUMENTS

7,021,593 B1 4/2006 Fan  
 D521,850 S 5/2006 Richter et al.  
 D530,333 S 10/2006 Richter  
 D543,439 S 5/2007 Brassard  
 D551,058 S 9/2007 Carnevali  
 D552,454 S 10/2007 Fynn  
 D553,959 S 10/2007 Brassard  
 D554,042 S 10/2007 Richter  
 D554,491 S 11/2007 Stenberg et al.  
 7,296,771 B2 11/2007 Kalis et al.  
 D560,592 S 1/2008 Brassard  
 D563,309 S 3/2008 Richter  
 D565,937 S 4/2008 Tsai  
 7,374,142 B2 5/2008 Carnevali  
 D570,836 S 6/2008 Chen  
 D576,865 S 9/2008 Chiang et al.  
 7,431,251 B2 10/2008 Carnevali  
 D579,911 S \* 11/2008 Wei ..... D14/155  
 D588,903 S 3/2009 Carnevali  
 D590,835 S 4/2009 Richter  
 D592,205 S 5/2009 O'Brien  
 D600,991 S 9/2009 Lai  
 D603,322 S 11/2009 Nicieja  
 D609,644 S 2/2010 Lin  
 D625,266 S \* 10/2010 Bau ..... D13/108  
 D638,008 S 5/2011 Richter  
 8,016,255 B2 9/2011 Lin  
 D654,437 S \* 2/2012 Fitch ..... D13/144  
 D654,874 S 2/2012 Au  
 D656,465 S 3/2012 Au  
 D656,899 S 4/2012 Webb et al.  
 D670,157 S 11/2012 Mo  
 D671,074 S 11/2012 Hori et al.  
 D677,709 S 3/2013 Skeoch et al.  
 D681,867 S 5/2013 Wegger et al.  
 D686,595 S 7/2013 Andre et al.  
 8,496,222 B2 7/2013 Li  
 D687,441 S 8/2013 Jansen  
 D694,249 S 11/2013 Akana et al.  
 D700,175 S 2/2014 Ohm  
 D705,211 S 5/2014 Huang  
 D709,066 S 7/2014 Byun  
 D709,072 S 7/2014 Askew-Harris et al.  
 D711,322 S 8/2014 McSweyn et al.  
 D713,398 S 9/2014 Alesi et al.  
 D715,132 S 10/2014 McSweyn et al.  
 D715,226 S \* 10/2014 Rostami ..... D13/144  
 D718,612 S 12/2014 McSweyn et al.  
 D719,959 S 12/2014 Vogel

D723,466 S \* 3/2015 Wang ..... D13/110  
 D730,723 S 6/2015 McSweyn et al.  
 D743,882 S \* 11/2015 Tsou ..... D13/107  
 D821,329 S \* 6/2018 Chen ..... D13/144  
 D825,470 S \* 8/2018 Wang ..... D13/144  
 D833,975 S \* 11/2018 Miller ..... A62B 3/005  
 D13/144  
 D839,201 S \* 1/2019 Jin ..... D13/144  
 2005/0092875 A1 5/2005 Carnevali  
 2006/0214511 A1 9/2006 Dayan  
 2006/0290654 A1 12/2006 Wang  
 2007/0018064 A1 1/2007 Wang  
 2007/0111700 A1 5/2007 Chen  
 2008/0003955 A1 1/2008 Rutowski  
 2008/0023606 A1 1/2008 Kalis et al.  
 2010/0273421 A1 10/2010 Tu et al.  
 2011/0192857 A1 8/2011 Rothbaum et al.  
 2012/0229300 A1 9/2012 Fu  
 2012/0292463 A1 11/2012 Burns  
 2013/0187020 A1 7/2013 Trotsky  
 2014/0346295 A1 11/2014 Song

OTHER PUBLICATIONS

Scosche Industries, Inc.; Digital FM Transmitter for iPhone 5, 5S, 5C & iPod Touch 5th Gen; <http://www.scosche.com/freqout-digital-fm-transmitter-for-ipod-and-iphone-1>; Dec. 4, 2015.  
 Isimple; Audio Playback Amp & Charging Cable; [http://www.amazon.com/AOAI57505-Playback-Charging-Lightning-Connector/dp/B00KG5S7CC/ref=sr\\_1\\_4?ie=UTF8&qid=1459958767&sr=8-4&keywords=isimple+lightning+cable](http://www.amazon.com/AOAI57505-Playback-Charging-Lightning-Connector/dp/B00KG5S7CC/ref=sr_1_4?ie=UTF8&qid=1459958767&sr=8-4&keywords=isimple+lightning+cable); May 1 2014.  
 European Search Report and Opinion for Application No. 17173904. 8-1801; dated Aug. 21, 2017.  
 "Mosnter iCarCharger AUX 1000 User Guide & Warranty Information" Monstercable.com. 2009.  
 Wager, Jack. "Griffin iTrip Aux & iTrip Bluetooth Review." Think Computers, Mar. 2015.  
 "WTH—no USB car charger with Aux audio output?." Howard Forums, Jul. 3, 2010.  
 "Saguaro Wireless Bluetooth Car A2DP." Amazon.com, Jul. 6, 2015, [https://www.amazon.com/SAUGUARO-Wireless-Bluetooth-Receiver-Hands-free/dp/B0111YMV0U/re=pd\\_day0\\_23\\_12?\\_encoding=UTF8&pvc=1&refRID=QQZM2YW35BWPDDK7HV45](https://www.amazon.com/SAUGUARO-Wireless-Bluetooth-Receiver-Hands-free/dp/B0111YMV0U/re=pd_day0_23_12?_encoding=UTF8&pvc=1&refRID=QQZM2YW35BWPDDK7HV45).  
 "Pyle PLMP2A FM Radio Transmitter w/ USB Port for Charging Your Devices, 3.5mm AUX Input Car Lighter Adaptor." Overstock.com, 2015, <https://www.overstock.com/Electronics/Pyle-PLMP2A-FM-Radio-Transmitter-w-USB-Port-for-Charging-Your-Devices-3.5mm-AUX-Input-Car-Lighter-Adaptor/8604918/product.html>.

\* cited by examiner



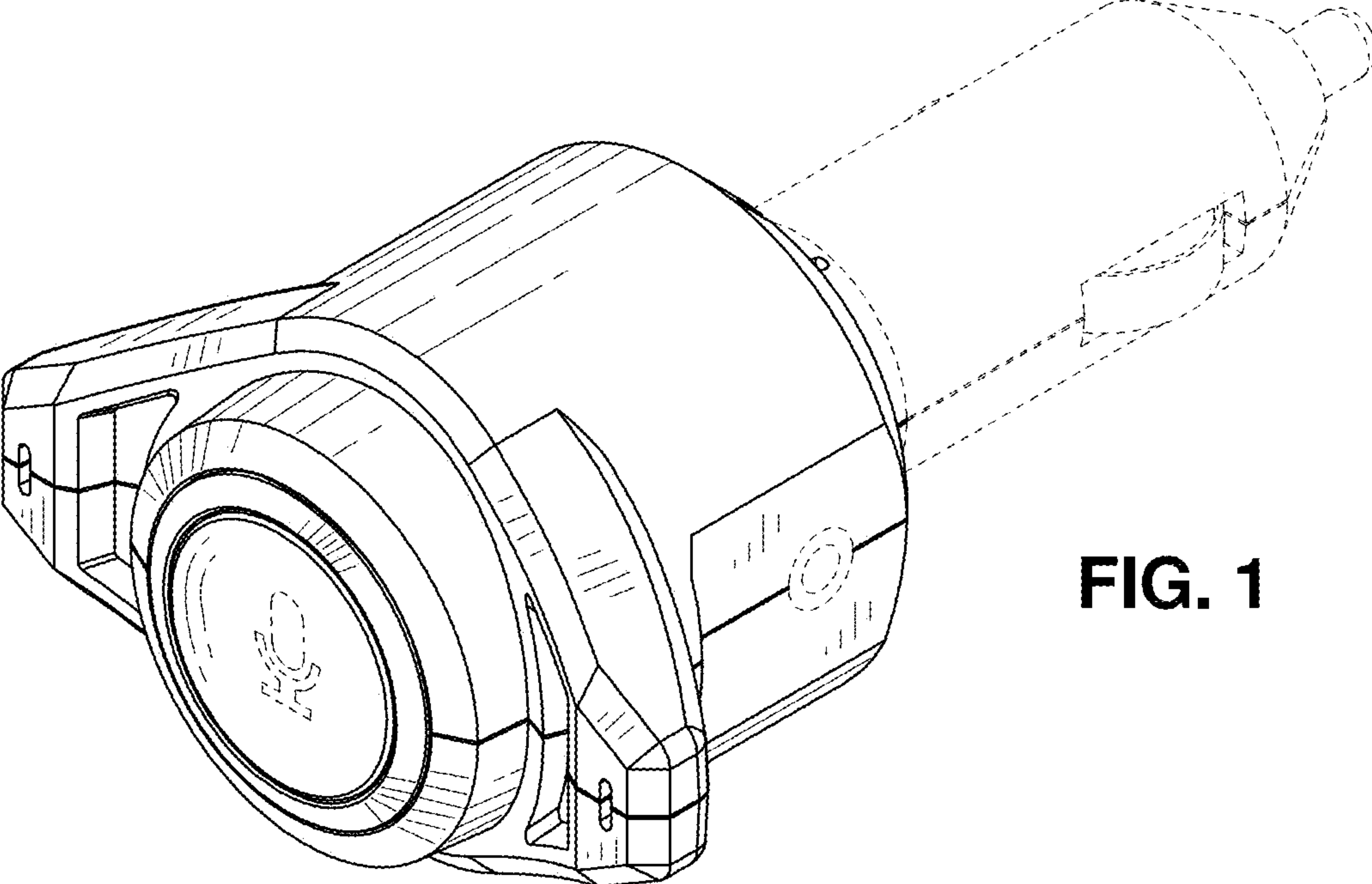


FIG. 1

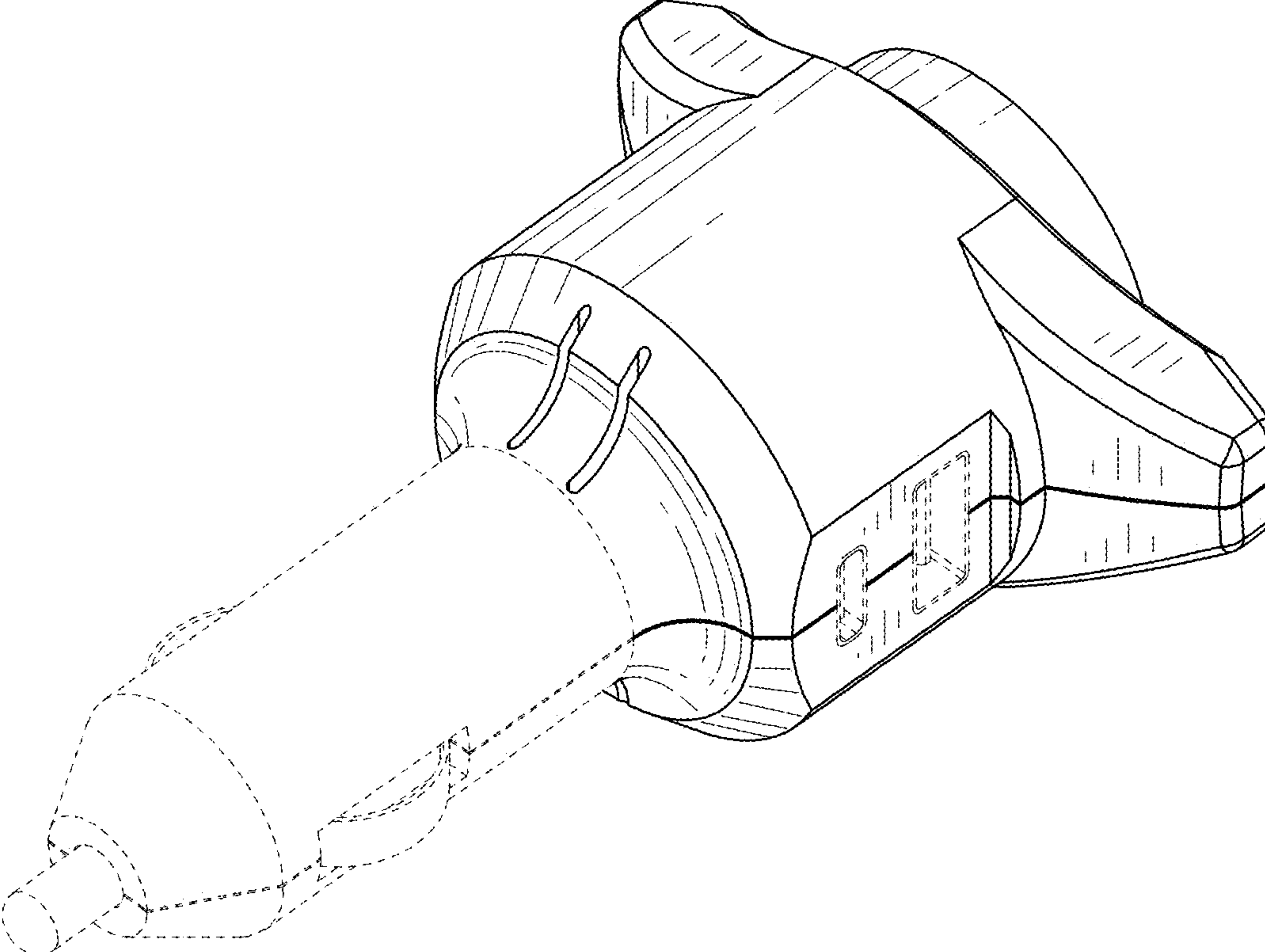


FIG. 2

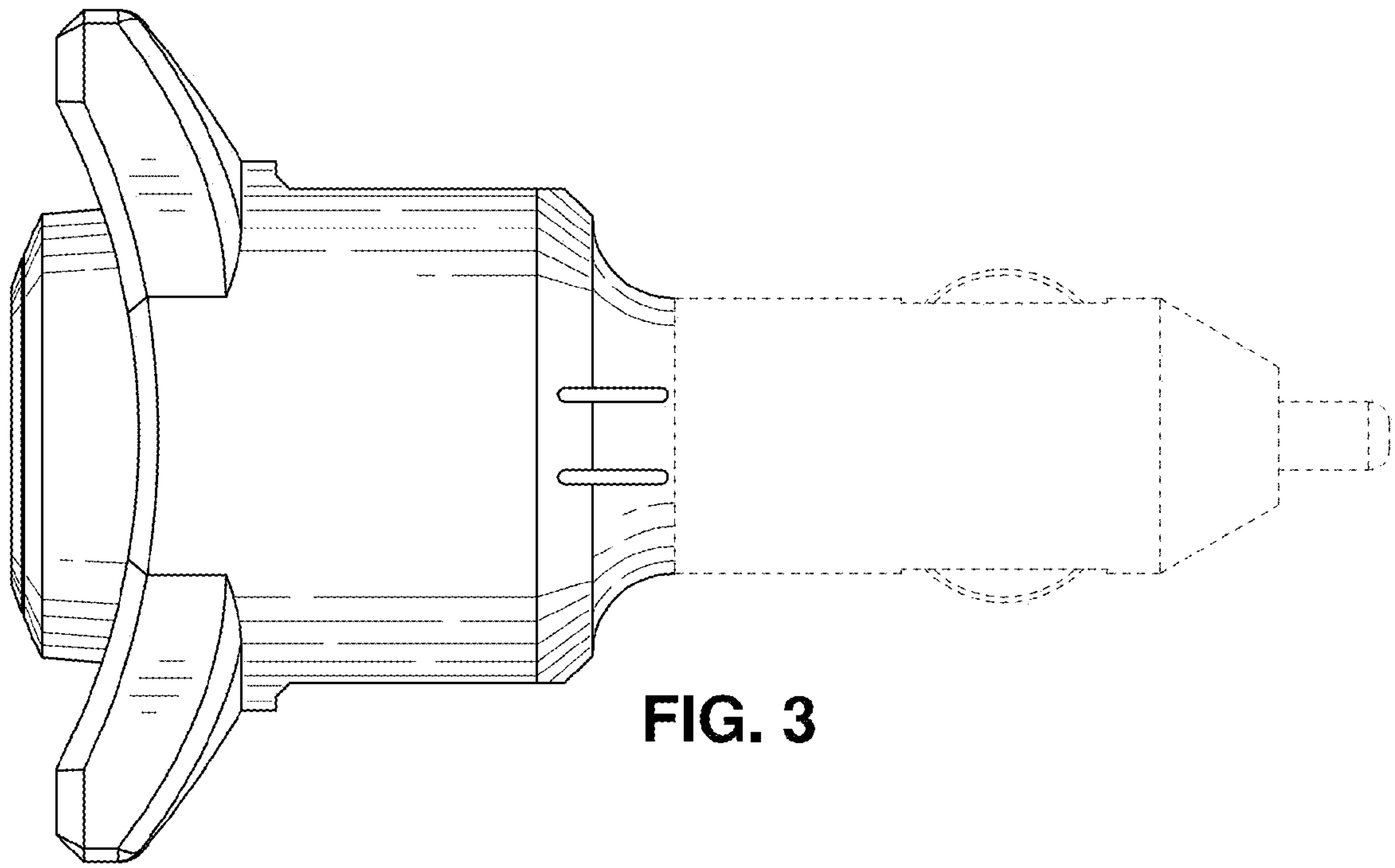


FIG. 3

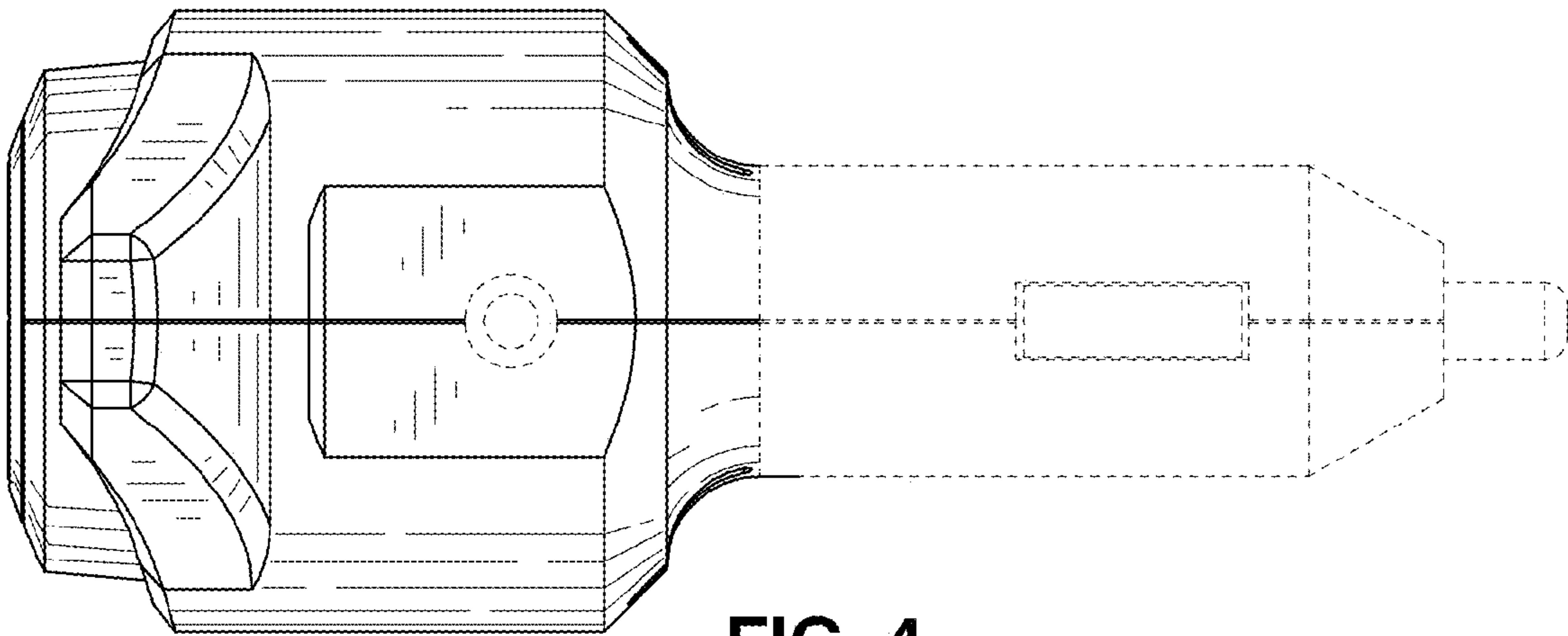


FIG. 4

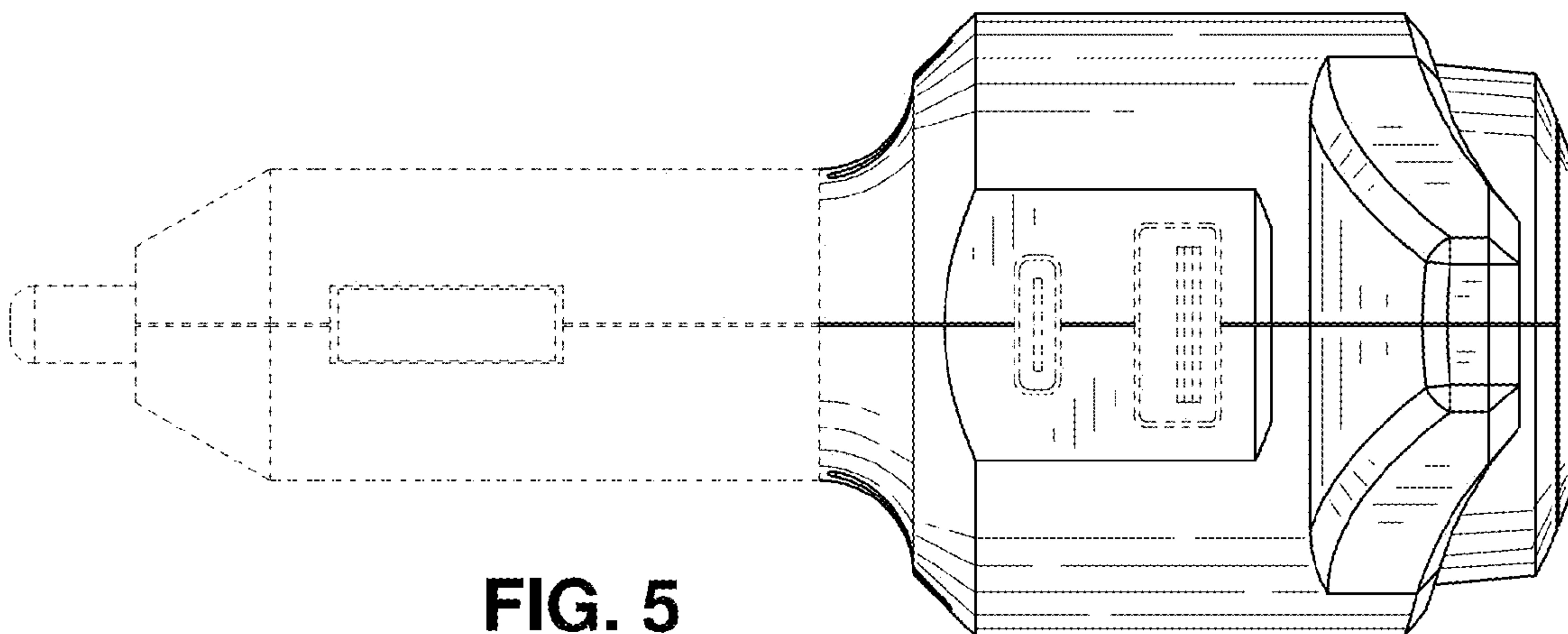


FIG. 5

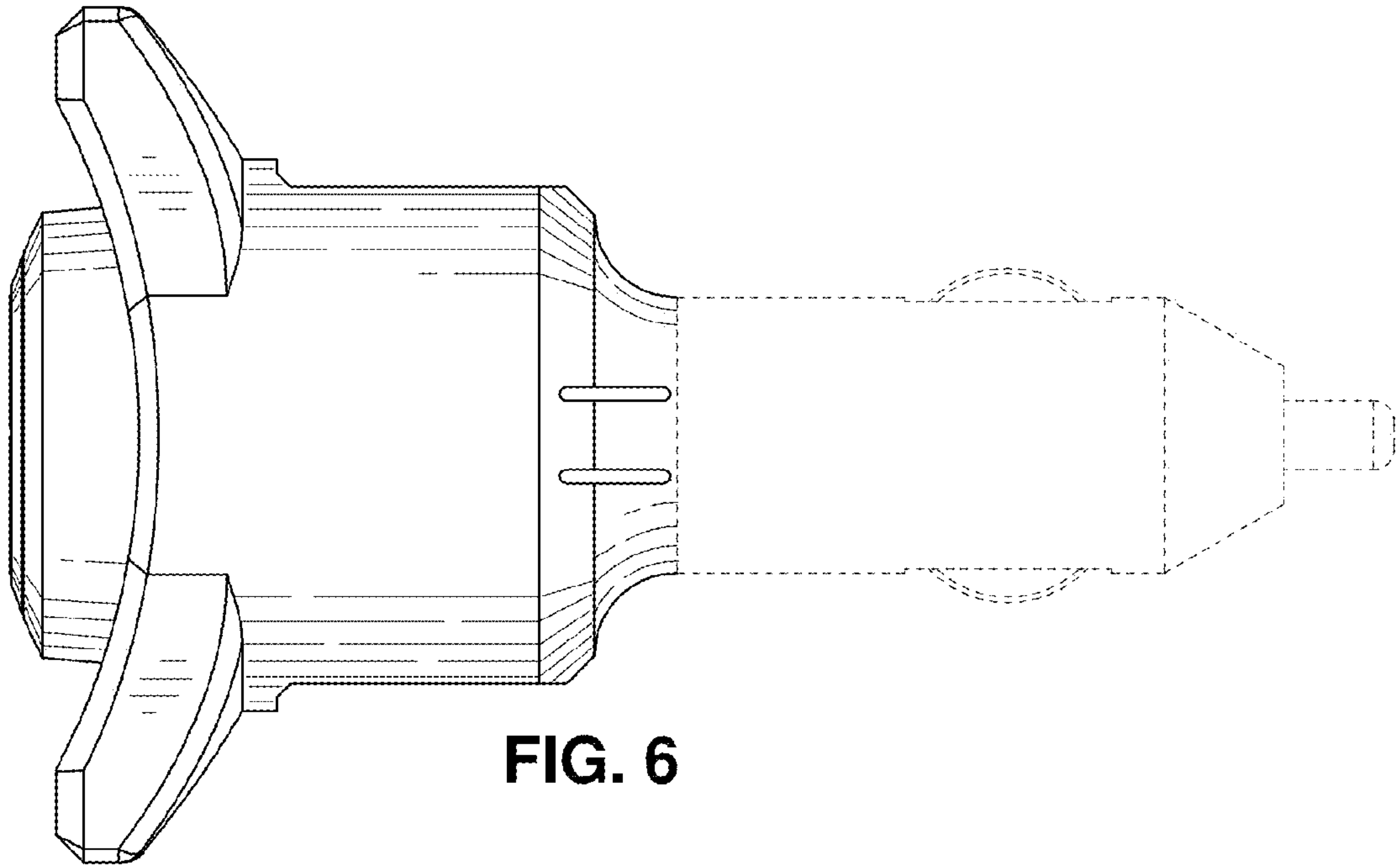


FIG. 6

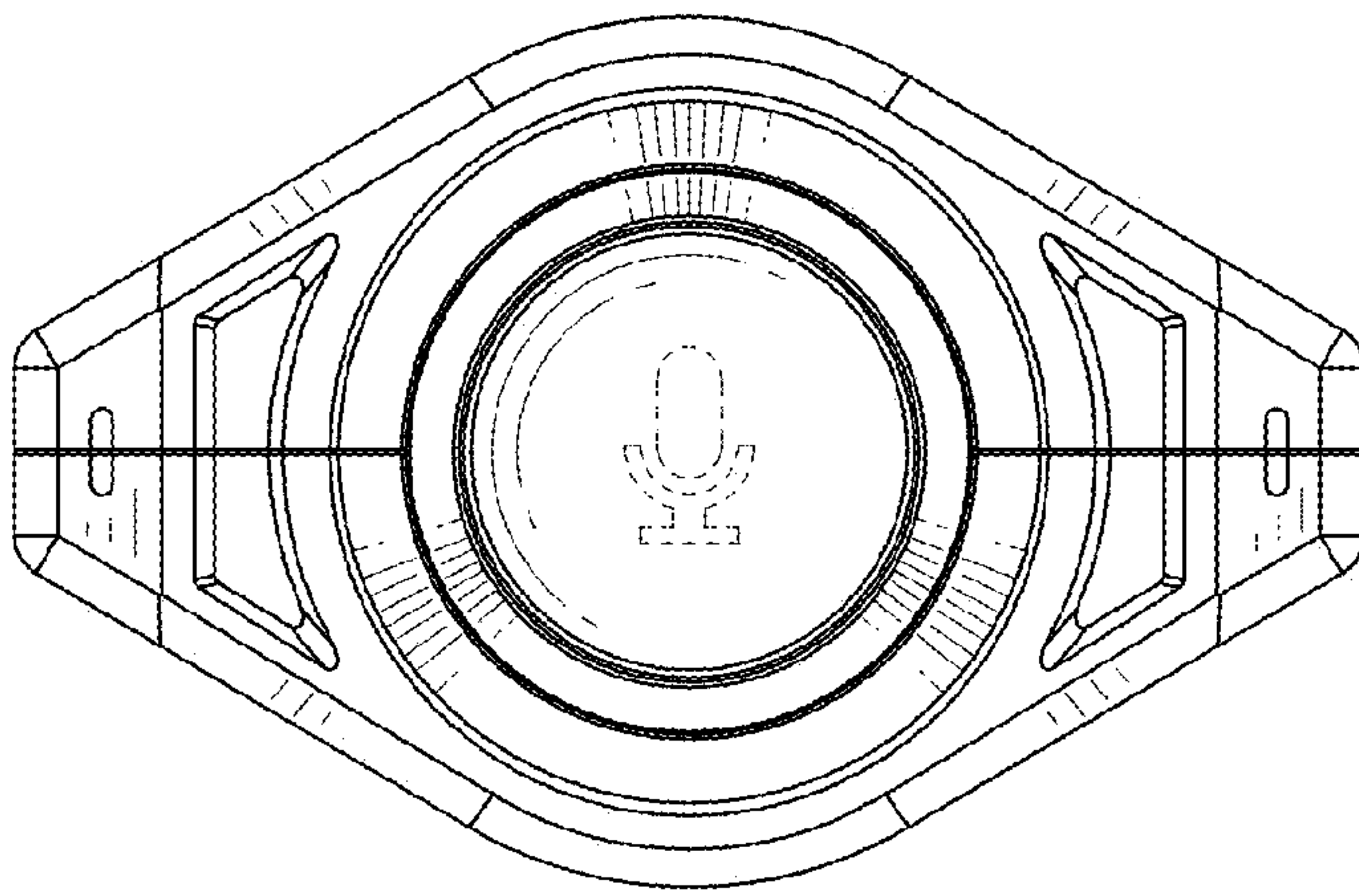


FIG. 7

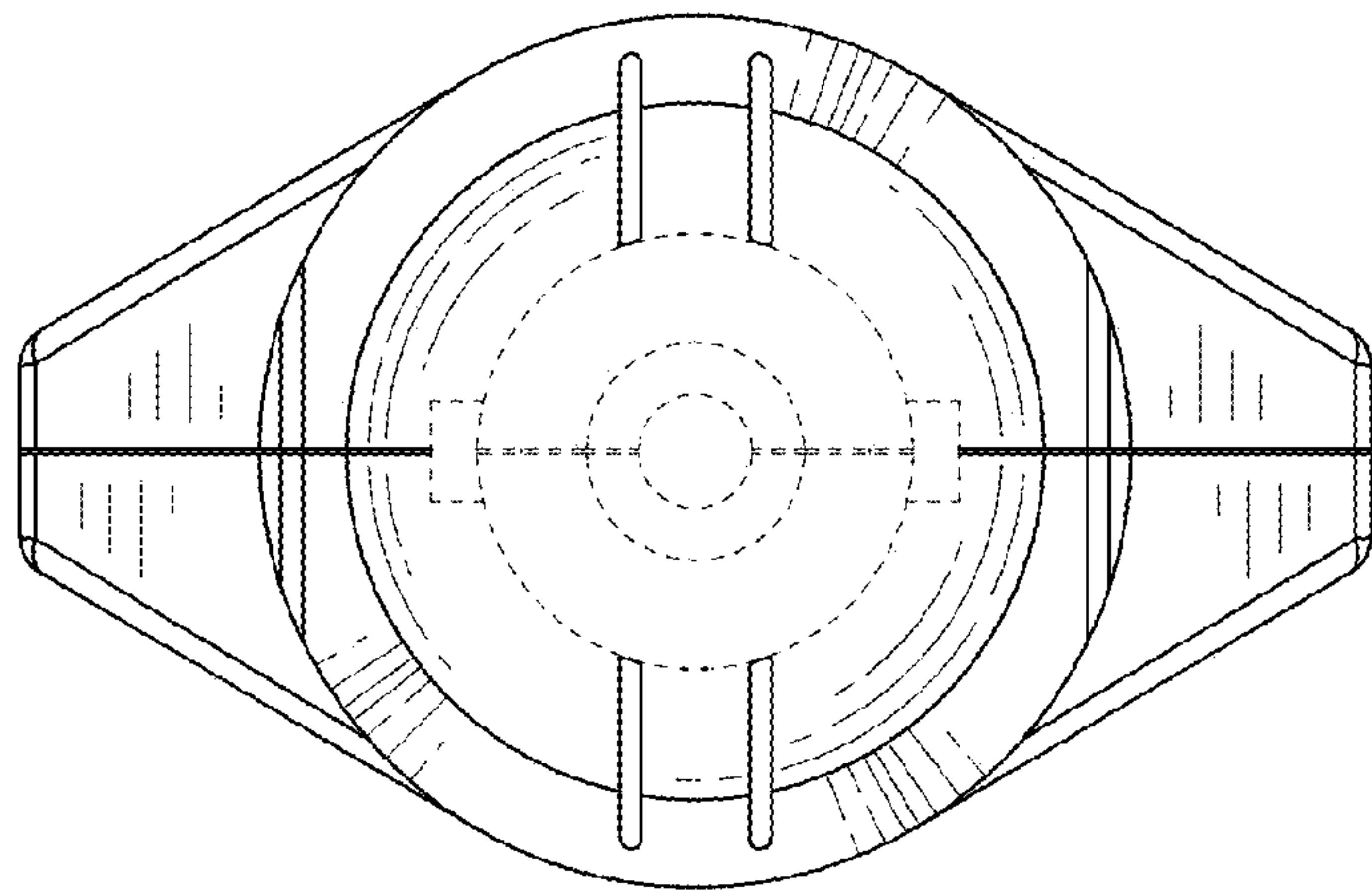


FIG. 8