



US00D888666S

(12) **United States Design Patent**  
**Zhang et al.**

(10) **Patent No.:** **US D888,666 S**  
(45) **Date of Patent:** **\*\* Jun. 30, 2020**

- (54) **POWER ADAPTER**
- (71) Applicants: **Qingsen Zhang**, Shenzhen (CN);  
**Junling Chen**, Shenzhen (CN);  
**Zhuohao Liang**, Zhongshan (CN)
- (72) Inventors: **Qingsen Zhang**, Shenzhen (CN);  
**Junling Chen**, Shenzhen (CN);  
**Zhuohao Liang**, Zhongshan (CN)
- (73) Assignee: **UGREEN GROUP LIMITED**,  
Shenzhen (CN)
- (\*\*) Term: **15 Years**
- (21) Appl. No.: **29/666,734**
- (22) Filed: **Oct. 16, 2018**
- (51) **LOC (12) Cl.** ..... **13-02**
- (52) **U.S. Cl.**  
USPC ..... **D13/110**
- (58) **Field of Classification Search**  
USPC ..... D13/103, 107, 108, 110, 118, 119, 123,  
D13/133, 137.1, 137.2, 137.3, 137.4,  
D13/138.1, 138.2, 139.1, 139.2, 139.3,  
D13/139.4, 139.5, 139.6, 139.7, 139.8,  
D13/152, 153, 154, 184, 199  
CPC ..... H01R 25/00; H01R 25/006; H01R 13/00;  
H01R 13/04; H01R 13/10; H01R  
13/6666; H01R 13/6675; H01R 9/00;  
H01R 11/00  
See application file for complete search history.

- (56) **References Cited**  
U.S. PATENT DOCUMENTS  
6,358,076 B1 \* 3/2002 Haag ..... H01R 13/6395  
439/320  
8,105,106 B1 \* 1/2012 Stoddard ..... H01R 13/717  
362/95  
8,142,228 B1 \* 3/2012 Wu ..... H01R 27/02  
439/628  
D693,767 S \* 11/2013 Zaslavsky ..... D13/110

- D702,633 S \* 4/2014 Andre ..... H01R 31/065  
D13/110
- D735,669 S \* 8/2015 Kelly ..... D13/138.1
- D753,661 S \* 4/2016 Daniel ..... D14/433
- 9,537,276 B1 \* 1/2017 Cai ..... H01R 31/06
- D778,914 S \* 2/2017 Huang ..... D13/110
- D788,709 S \* 6/2017 Yeo ..... D13/137.2
- D790,465 S \* 6/2017 Zhao ..... D13/110
- D799,422 S \* 10/2017 Chen ..... D13/108
- D807,822 S \* 1/2018 Senff ..... D13/110
- D808,903 S \* 1/2018 Koenig ..... D13/110
- 9,882,313 B2 \* 1/2018 Steinbuechel, IV ..... H01R 31/06
- D819,566 S \* 6/2018 Hung ..... D13/110
- D826,858 S \* 8/2018 Little ..... D13/137.2
- D826,859 S \* 8/2018 Little ..... D13/137.2
- D864,863 S \* 10/2019 Lee ..... D13/110
- D867,287 S \* 11/2019 Akana ..... D13/110
- D867,295 S \* 11/2019 Shaopeng ..... D13/137.2
- D867,989 S \* 11/2019 Akana ..... D13/110
- 10,483,694 B2 \* 11/2019 Crowder ..... H01R 13/447
- D874,400 S \* 2/2020 Akana ..... D13/110

(Continued)

*Primary Examiner* — Susan Bennett Hattan  
*Assistant Examiner* — Suzanne E Tisdell

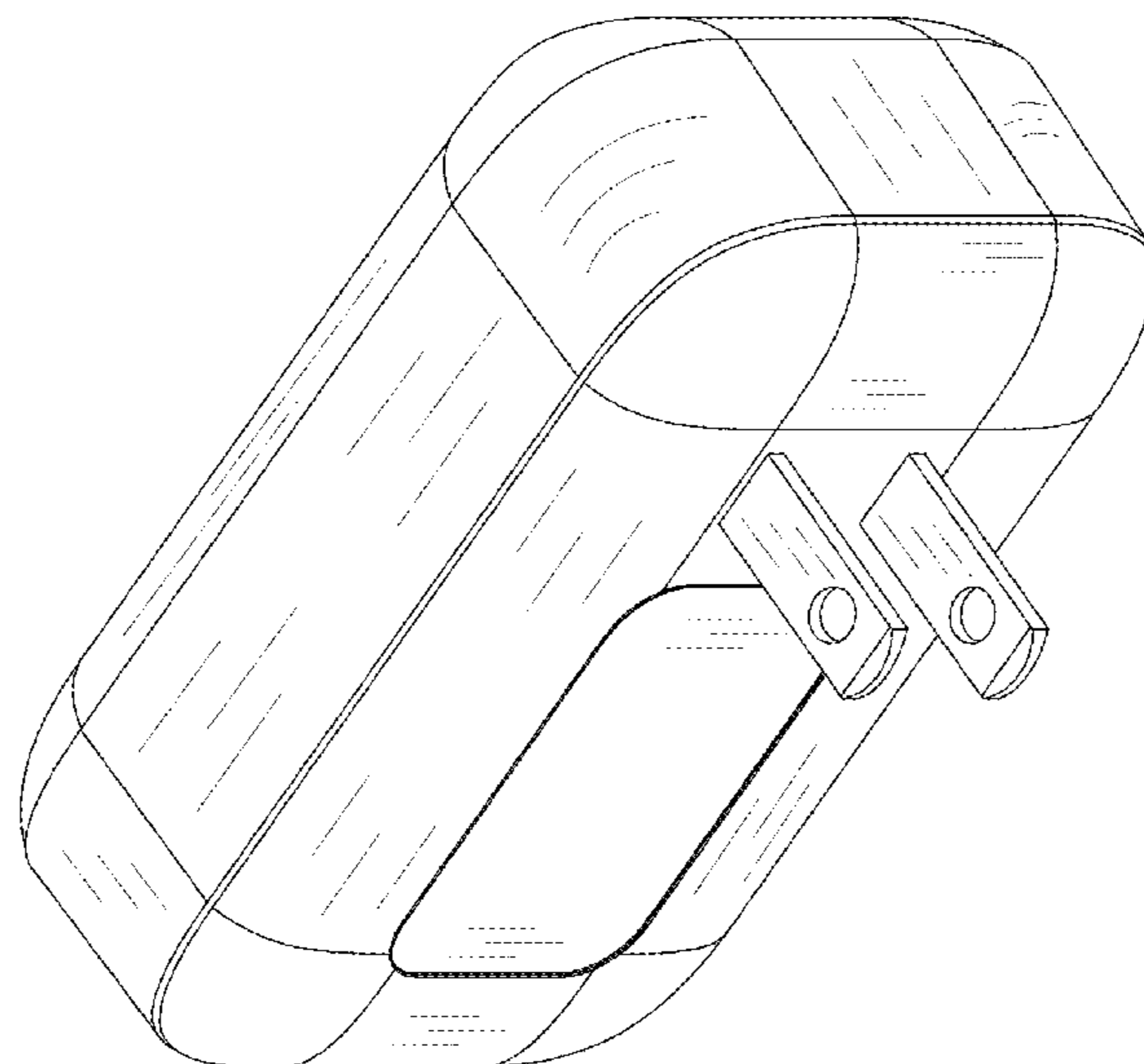
(57) **CLAIM**

The ornamental design for a power adapter, shown and described.

**DESCRIPTION**

FIG. 1 is a perspective view of a power adapter showing my new design;  
FIG. 2 is a front elevational view thereof;  
FIG. 3 is a rear elevational view thereof;  
FIG. 4 is a left side elevational view thereof;  
FIG. 5 is a right side elevational view thereof;  
FIG. 6 is a top plan view thereof; and,  
FIG. 7 is a bottom plan view thereof.  
The broken lines depict environment that forms no part of the claimed design

**1 Claim, 7 Drawing Sheets**



(56)

**References Cited**

U.S. PATENT DOCUMENTS

D874,403 S \* 2/2020 Canizares ..... D13/137.2  
D879,714 S \* 3/2020 Zhang ..... D13/110

\* cited by examiner

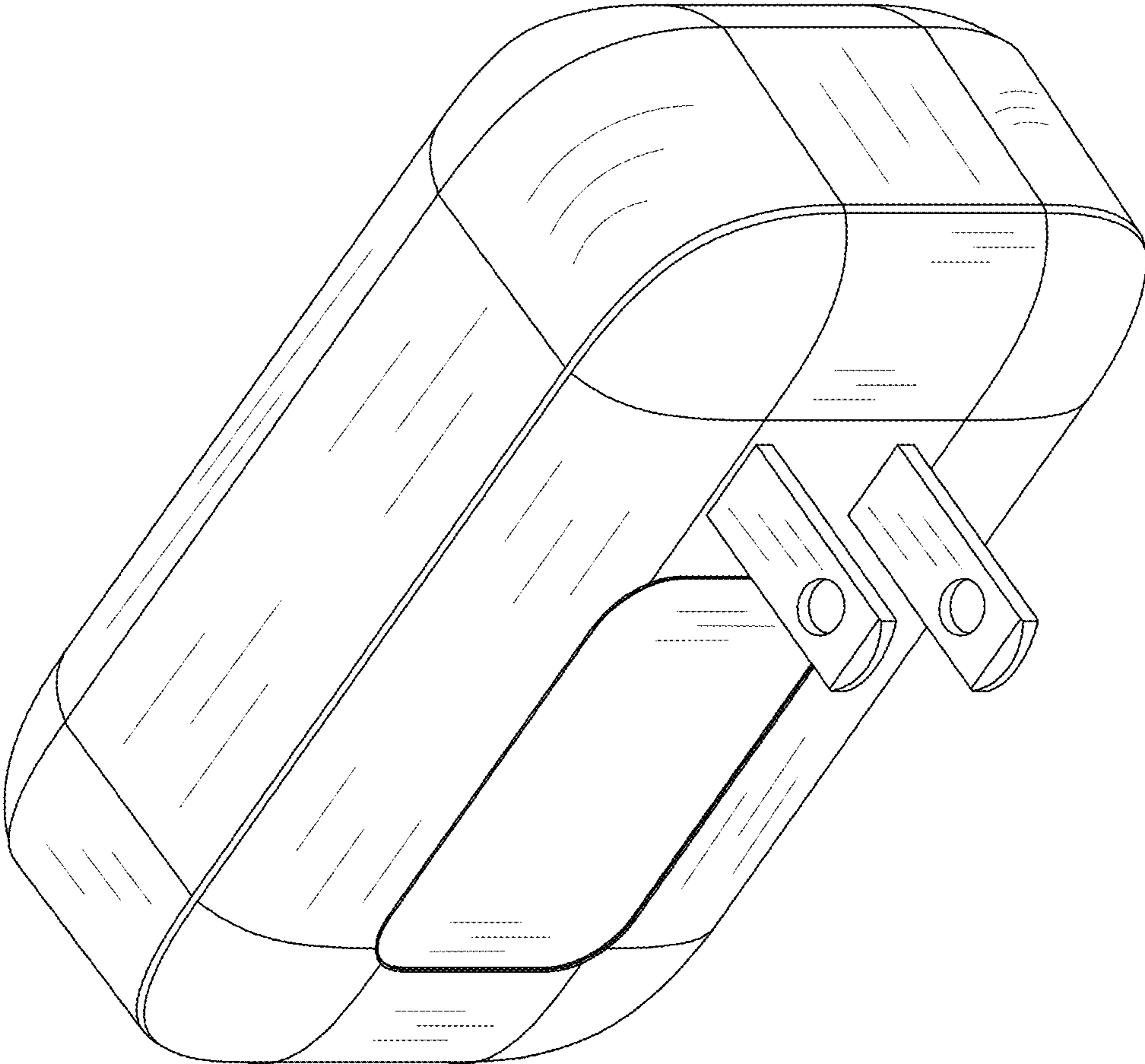


FIG. 1

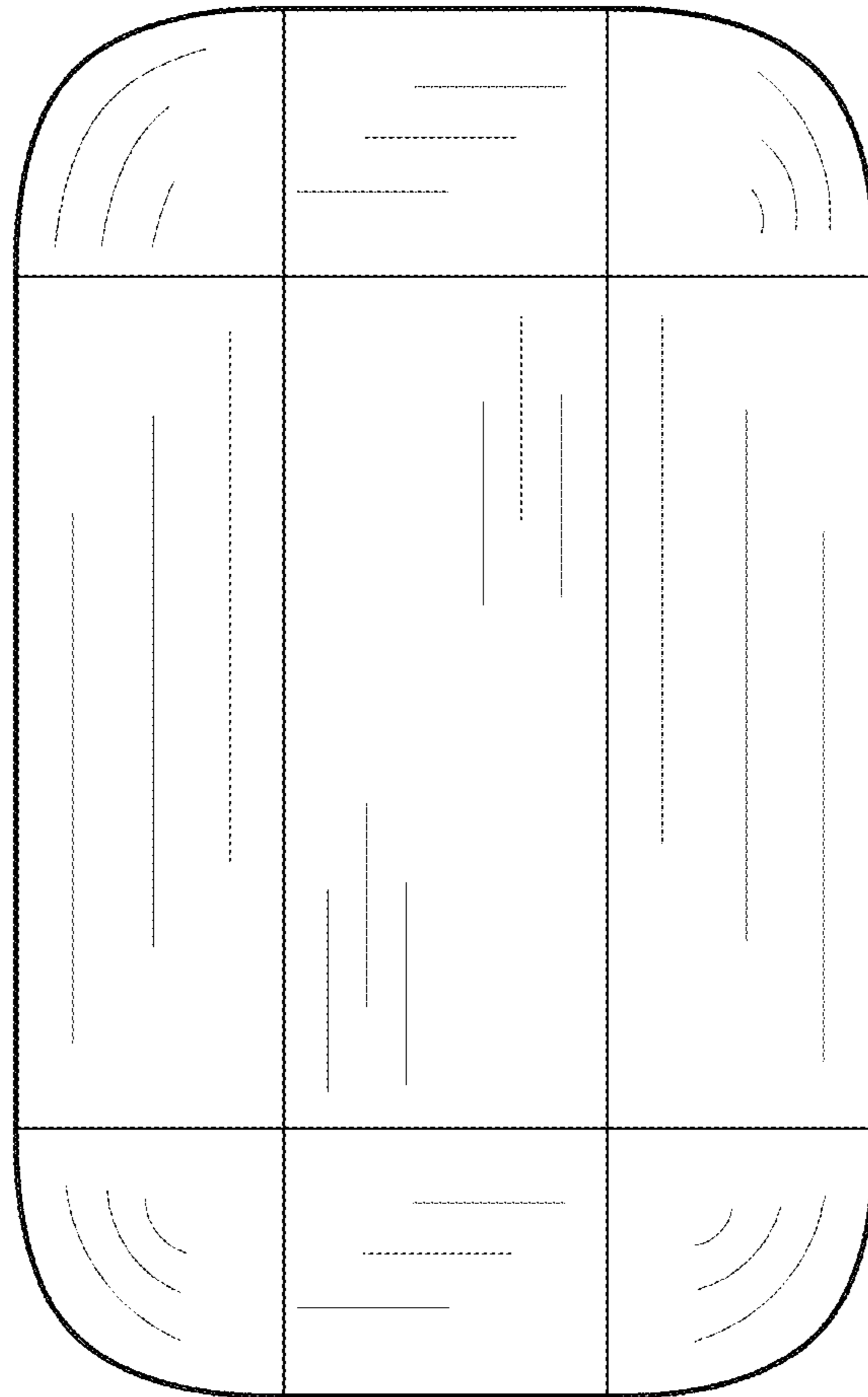


FIG. 2

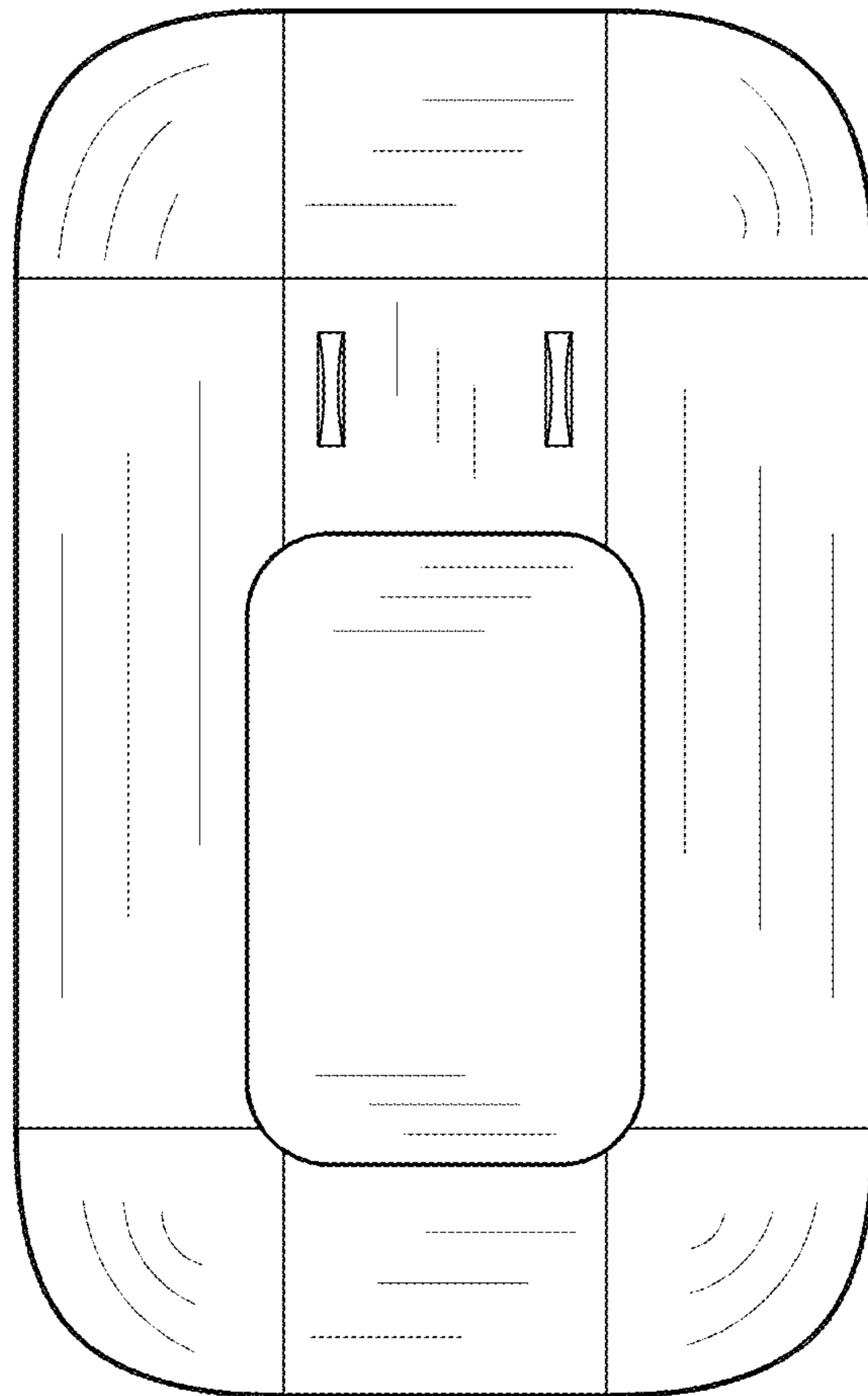


FIG. 3

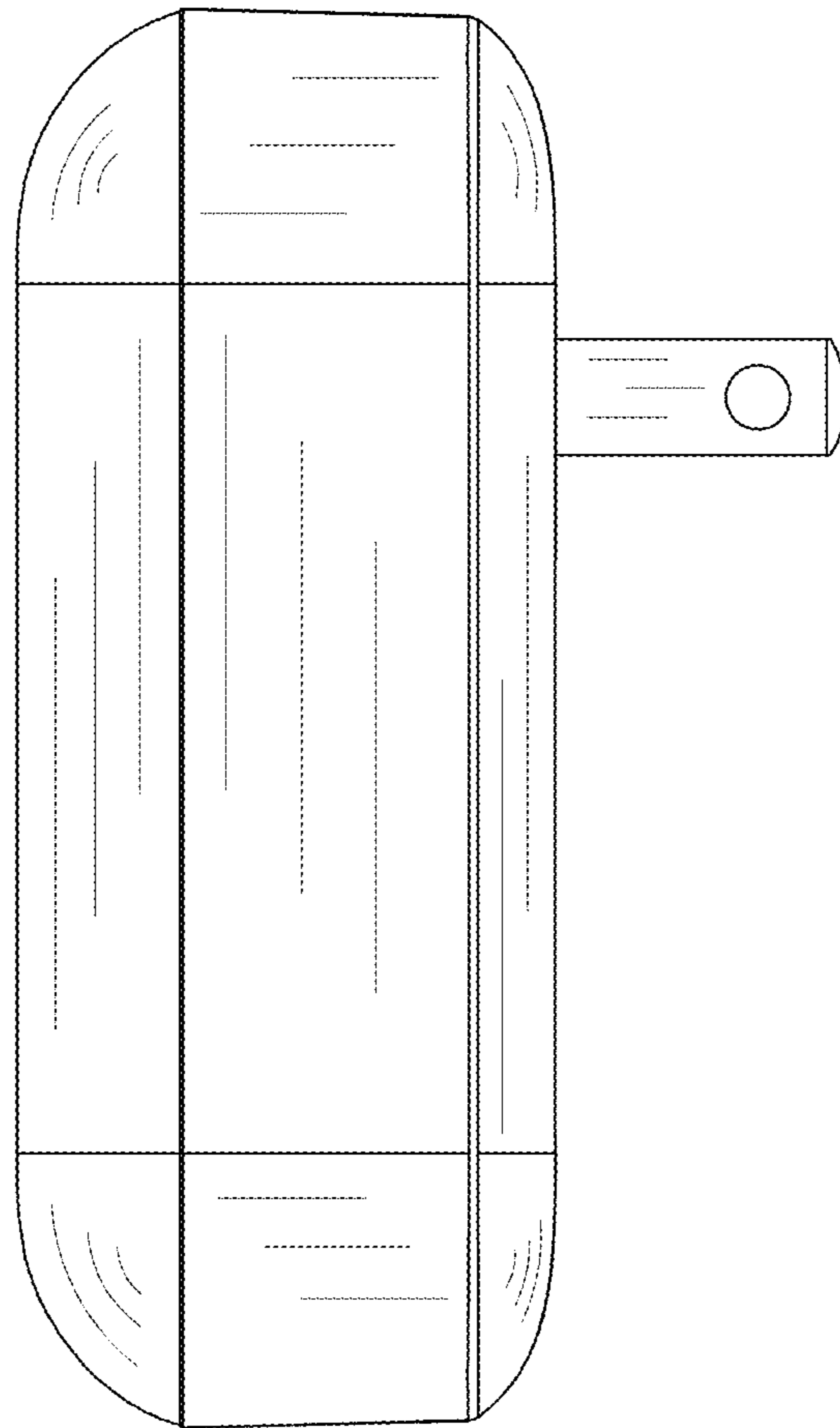


FIG. 4

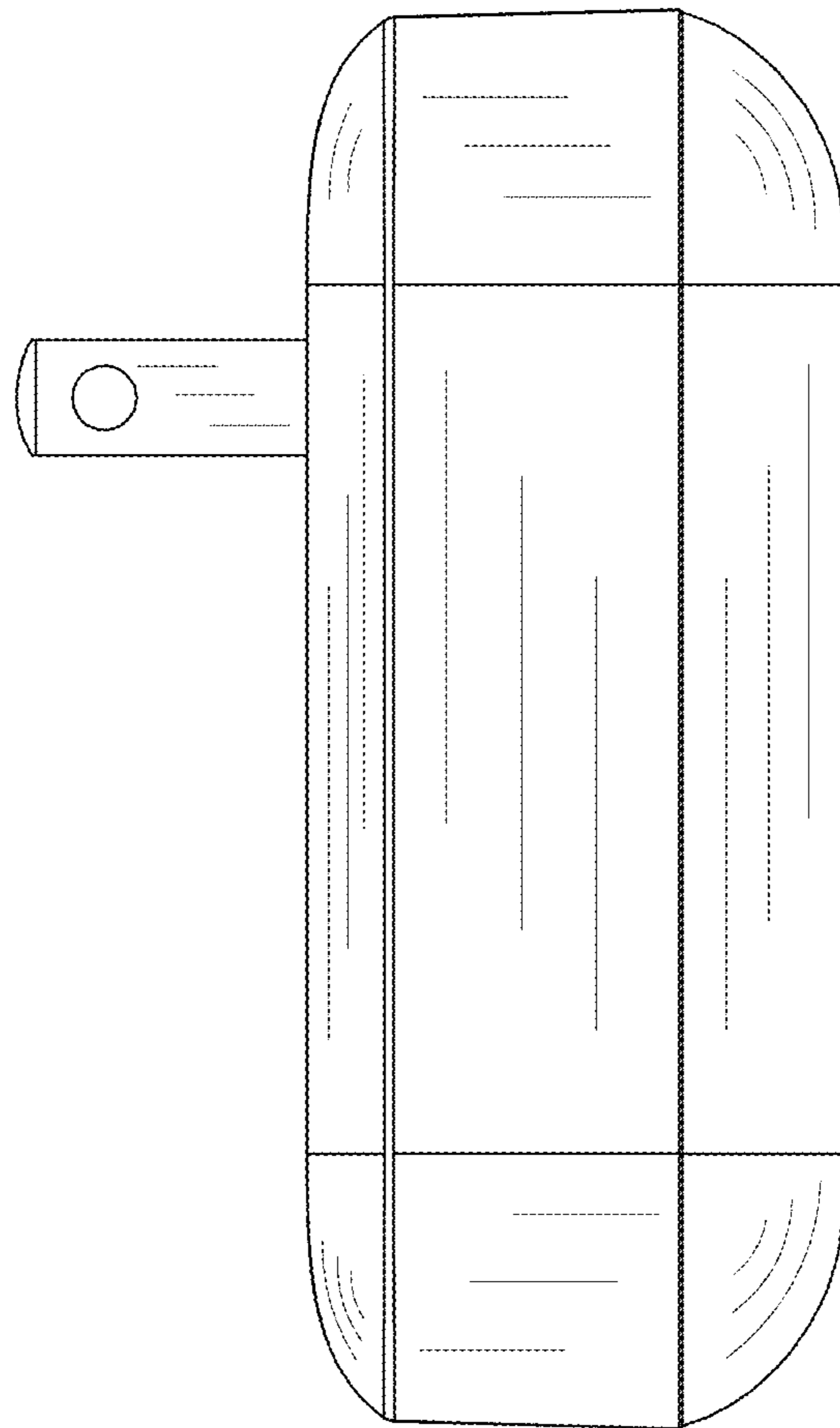


FIG. 5

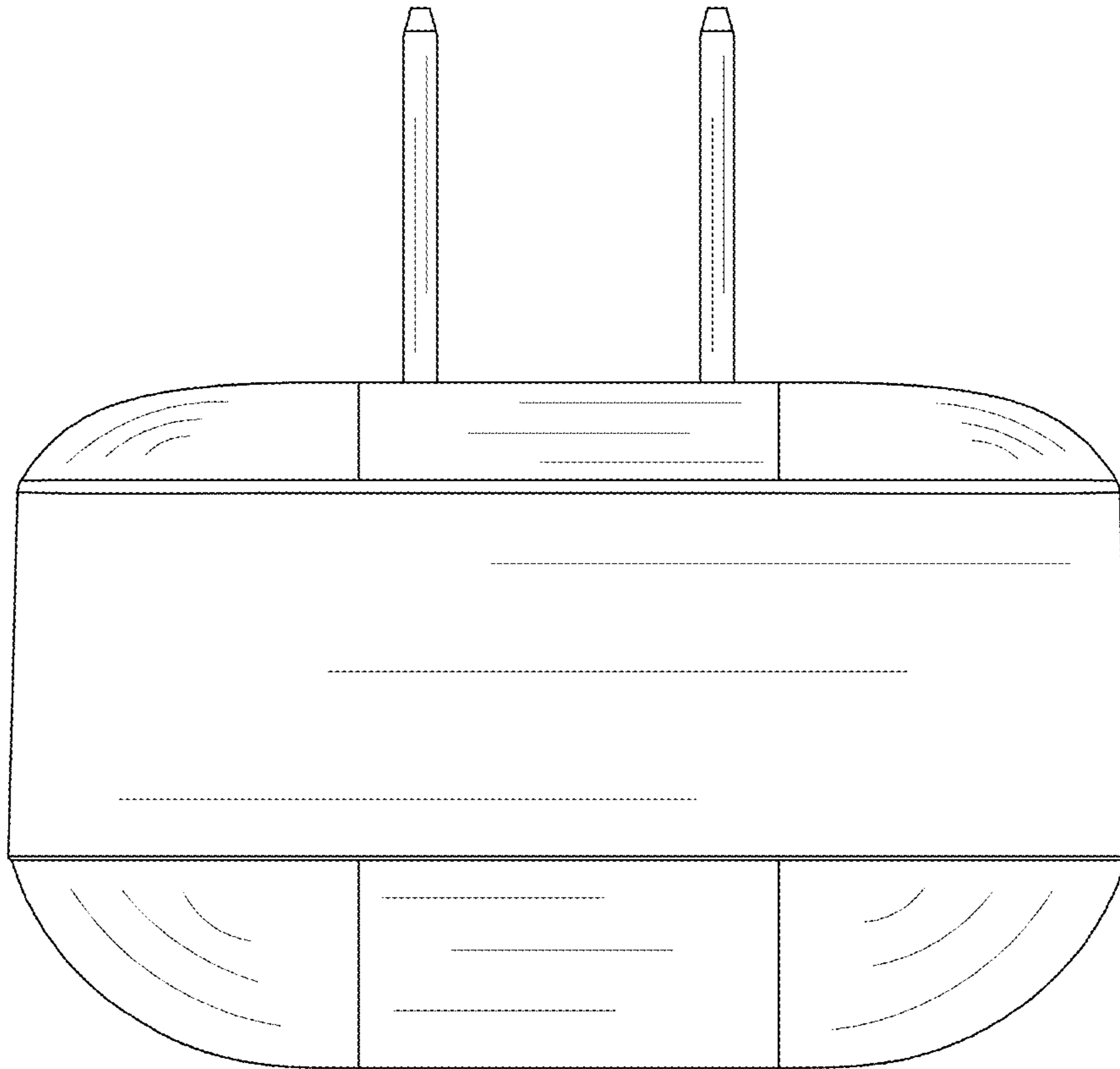


FIG. 6



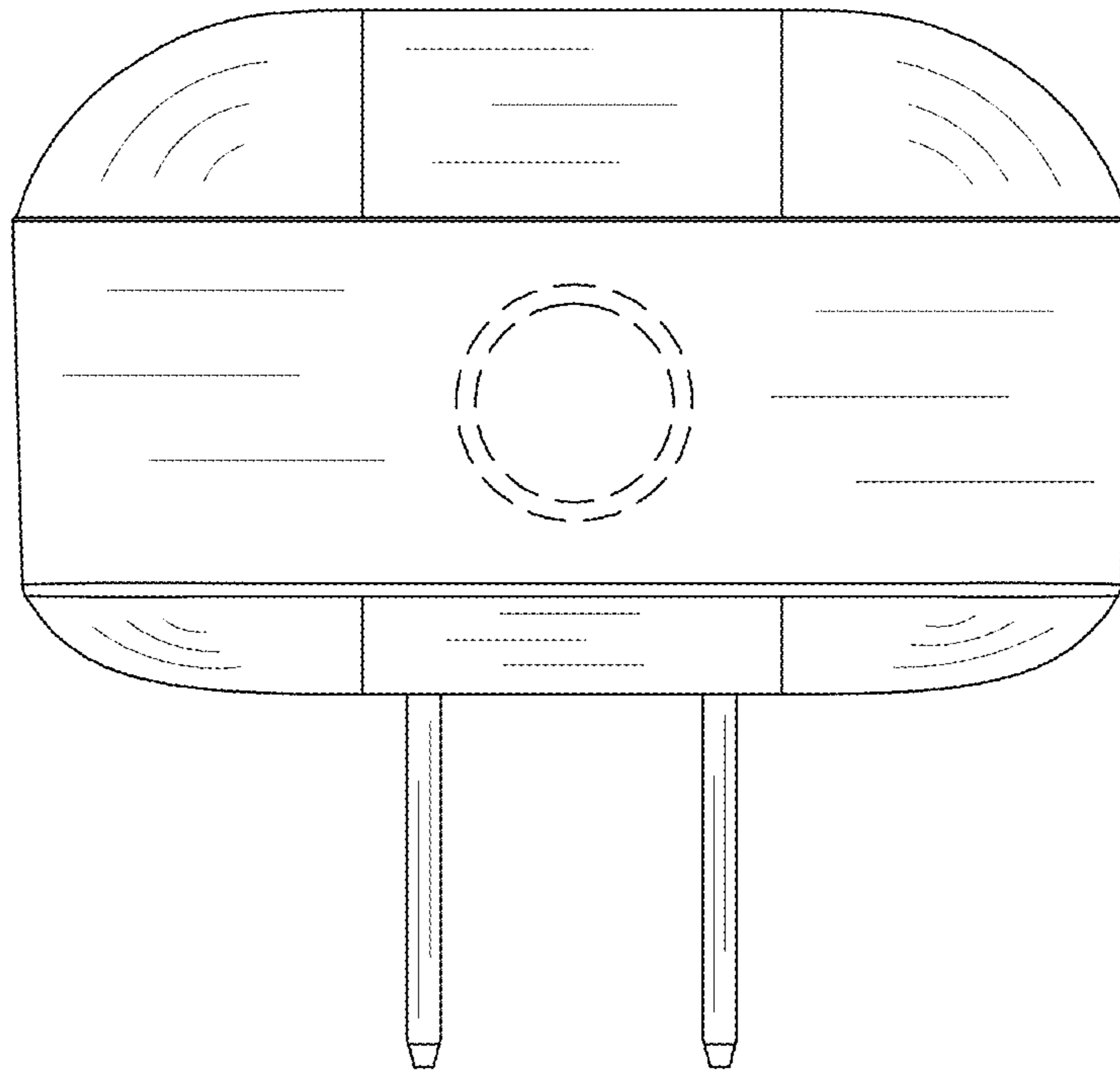


FIG. 7