



US00D888663S

(12) **United States Design Patent**
Weng

(10) **Patent No.:** **US D888,663 S**

(45) **Date of Patent:** **** Jun. 30, 2020**

(54) **CHARGING CASE FOR WIRELESS
EARPHONES**

(71) Applicant: **SHENZHEN GUANGYIPENG
TECHNOLOGY CO., LTD.**, Shenzhen
(CN)

(72) Inventor: **Jie Weng**, Shenzhen (CN)

(73) Assignee: **SHENZHEN GUANGYIPENG
TECHNOLOGY CO., LTD.**, Shenzhen
(CN)

(**) Term: **15 Years**

(21) Appl. No.: **29/711,833**

(22) Filed: **Nov. 4, 2019**

(51) **LOC (12) Cl.** **13-02**

(52) **U.S. Cl.**
USPC **D13/108**

(58) **Field of Classification Search**

USPC D13/103, 107-108, 110, 118, 184, 199;
D14/251, 253, 432, 434; D3/201, 205,
D3/208, 218, 273, 274, 294, 295
CPC .. H02J 7/005; H02J 7/025; H02J 50/00; H02J
50/10; H02J 50/12; H02J 50/40; H02J
50/402; H02J 50/50; H02J 50/80

See application file for complete search history.

(56) **References Cited**

U.S. PATENT DOCUMENTS

D419,768 S * 2/2000 Richardson D3/273
D552,029 S * 10/2007 Kingston D13/108
D553,077 S * 10/2007 Kim D13/108
D572,654 S * 7/2008 Kang D13/107
D658,581 S * 5/2012 Reade D13/110
D683,899 S * 6/2013 Liu D13/108
D790,455 S * 6/2017 McGarry D13/107

D808,653 S * 1/2018 Rayeski D3/273
D821,306 S * 6/2018 Liu D13/107
D823,246 S * 7/2018 Lin D13/108
D826,152 S * 8/2018 Christiansen D13/108
D841,580 S * 2/2019 Bao D13/108
D841,581 S 2/2019 Bonahoom et al.
D843,721 S * 3/2019 Yuan D3/274
D843,937 S * 3/2019 Xiao D13/108
D849,401 S * 5/2019 Akana D3/274
D864,110 S * 10/2019 Yoshimura D13/108
D873,217 S * 1/2020 Zhang D13/108

* cited by examiner

Primary Examiner — Rosemary K Tarcza

(57) **CLAIM**

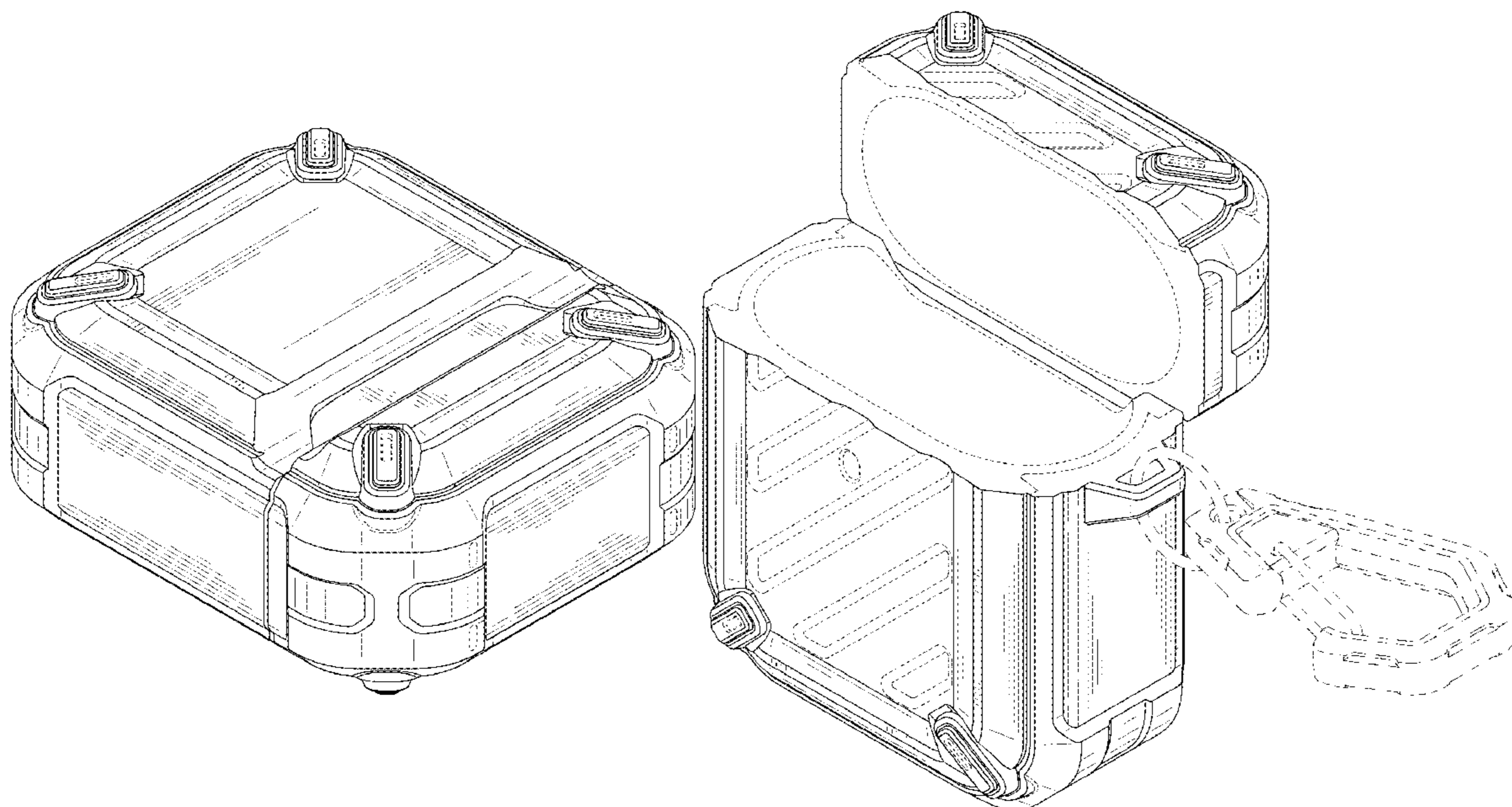
The ornamental design for a charging case for wireless earphones, as shown and described.

DESCRIPTION

FIG. 1 is a front, top and right side perspective view of a charging case for wireless earphones showing my new design;
FIG. 2 is a rear, bottom and left side perspective view thereof;
FIG. 3 is a front elevational view thereof;
FIG. 4 is a rear elevational view thereof;
FIG. 5 is a left side view thereof;
FIG. 6 is a right side view thereof;
FIG. 7 is a top plan view thereof;
FIG. 8 is a bottom plan view thereof; and,
FIG. 9 is a rear and bottom side perspective view thereof, showing the charging case for wireless earphones in a state of use.

The broken lines in the drawings illustrate portions of the charging case for wireless earphones which form no part of the claimed design.

1 Claim, 9 Drawing Sheets



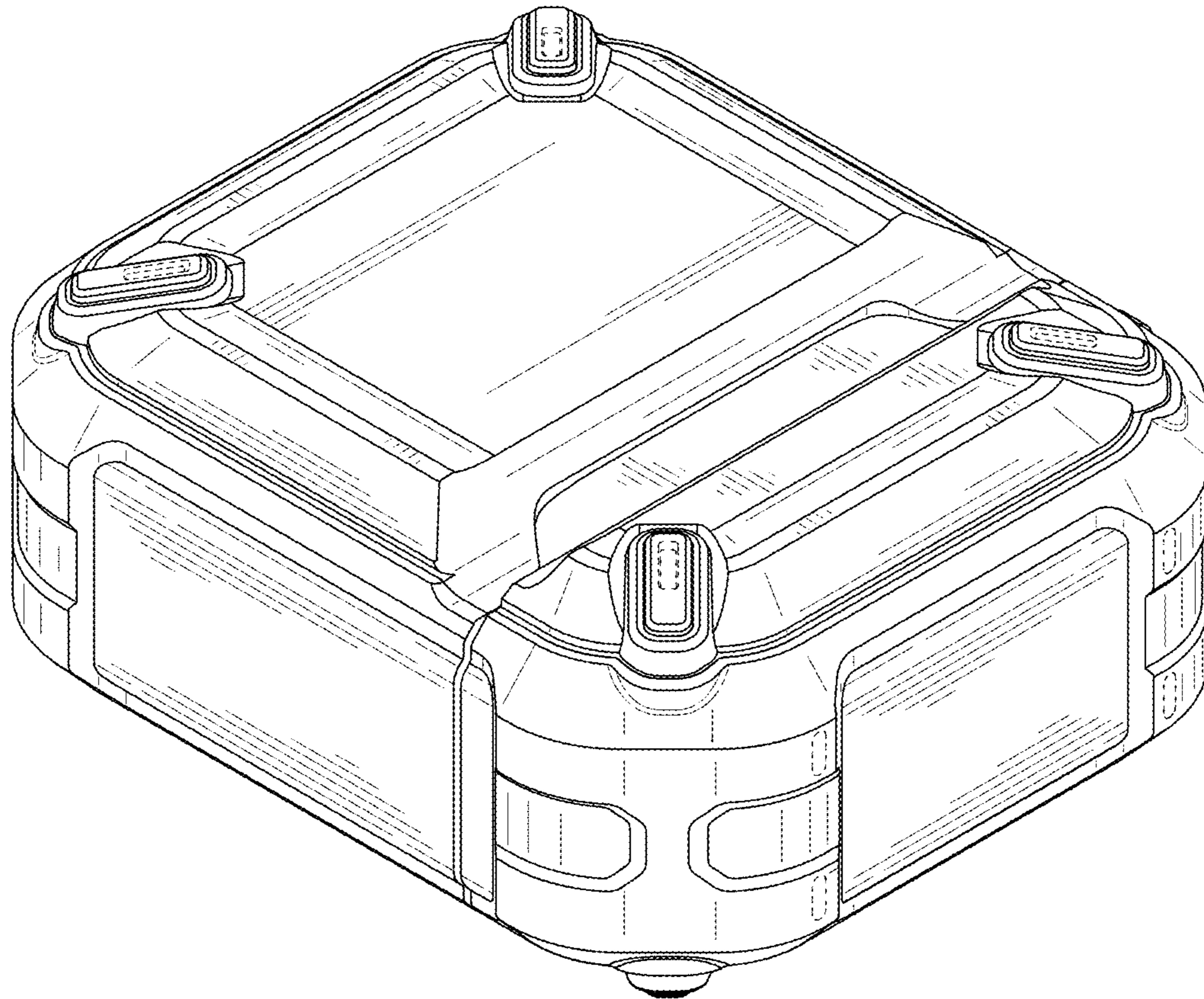


FIG. 1

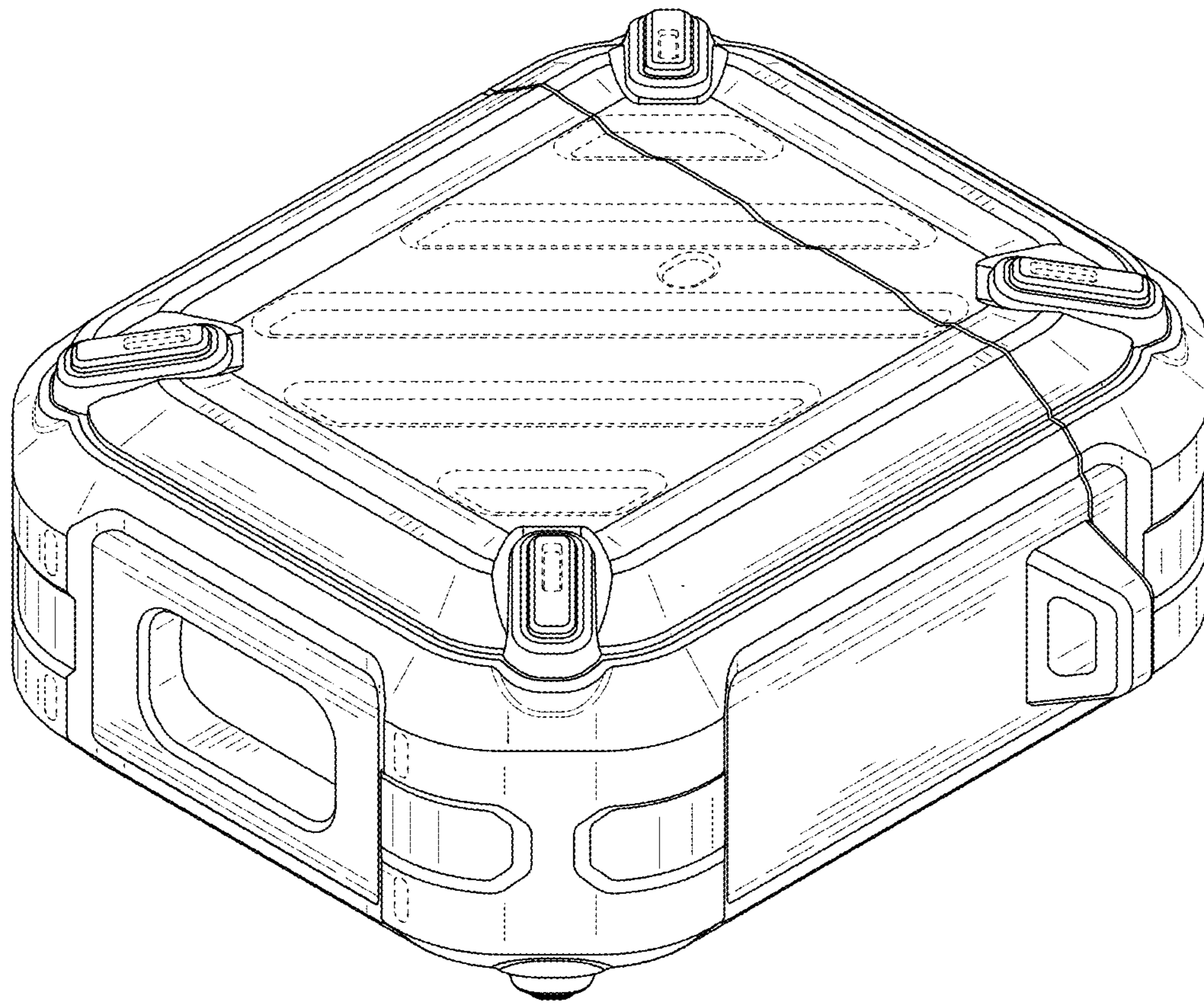


FIG. 2

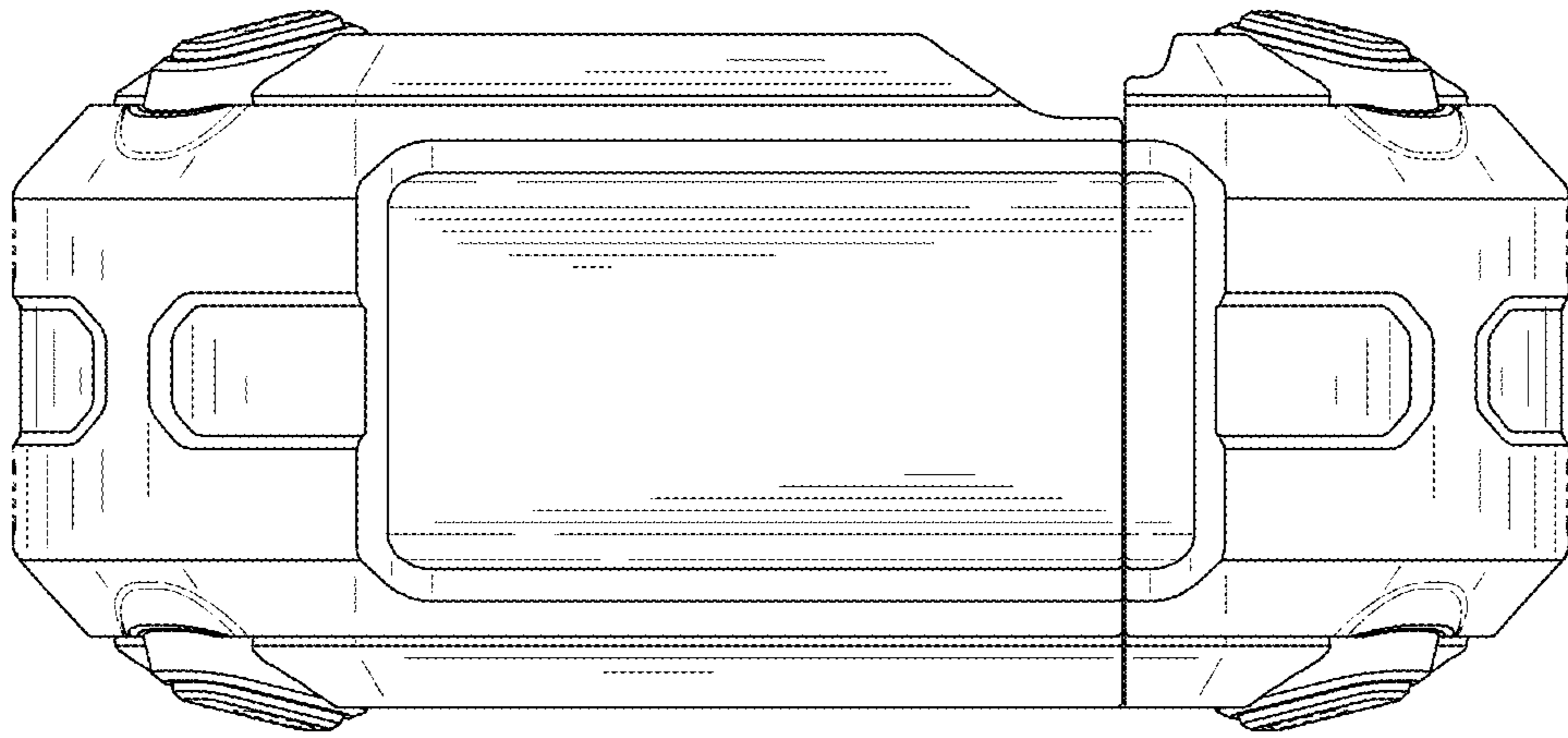


FIG. 3

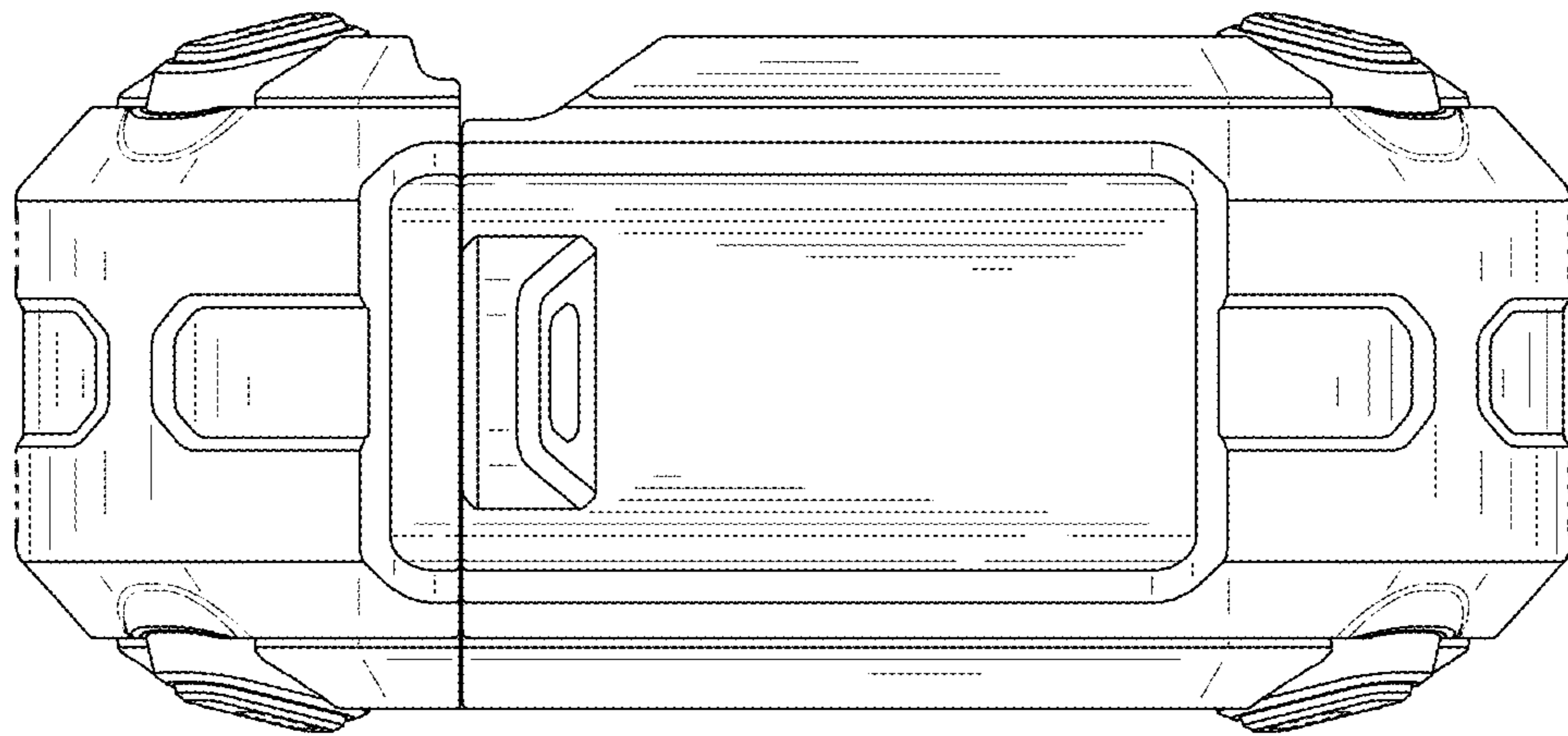


FIG. 4

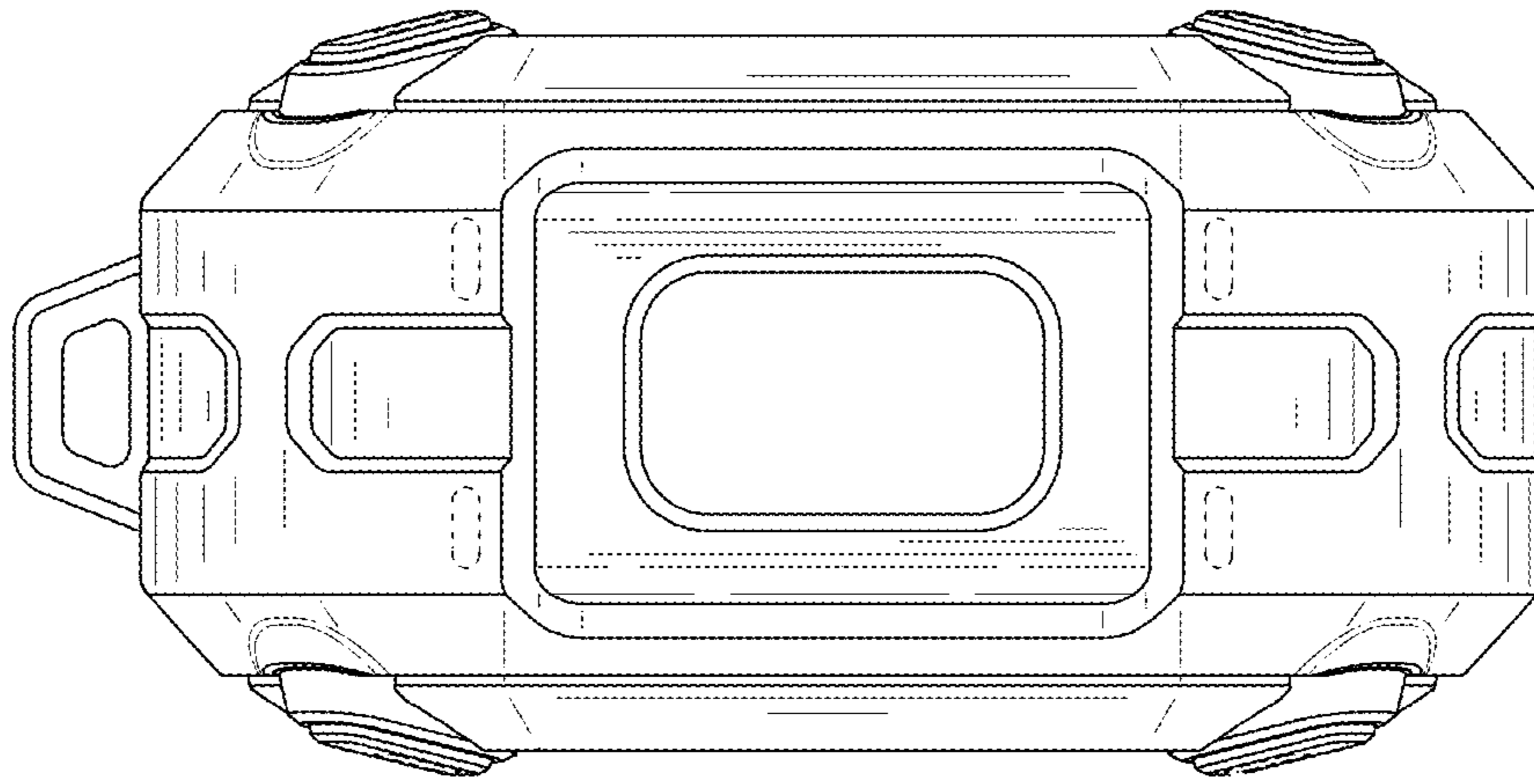


FIG. 5

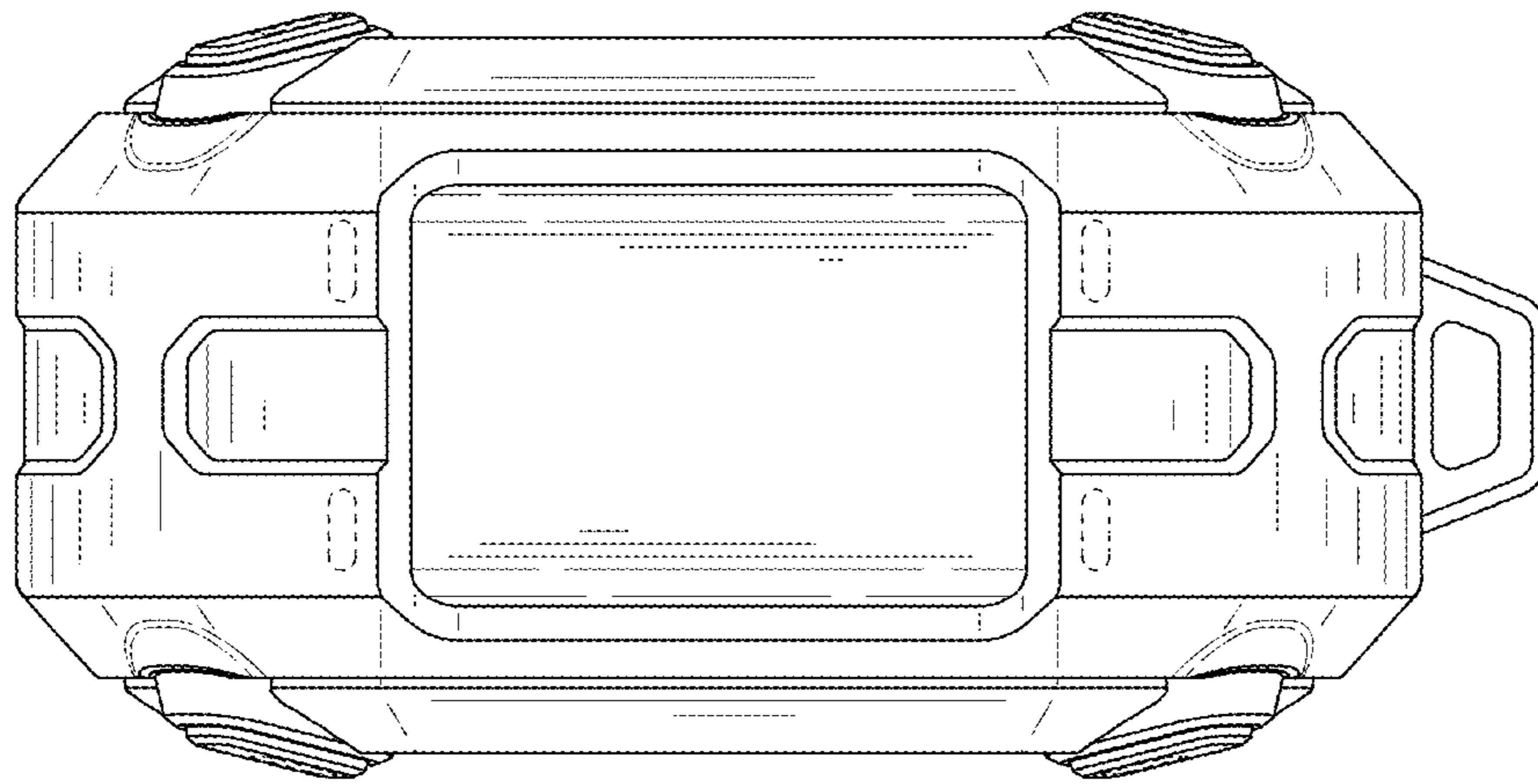


FIG. 6

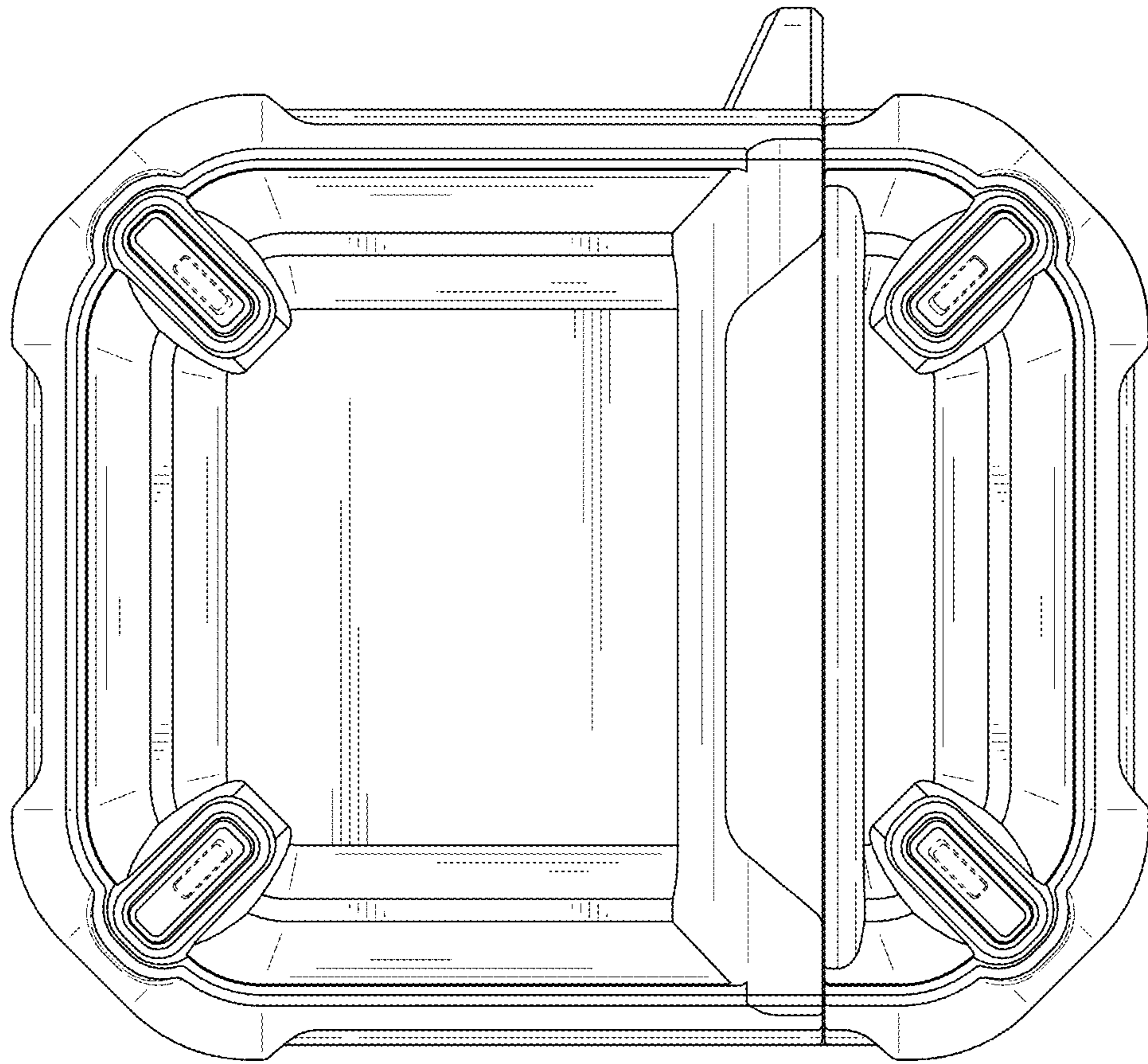


FIG. 7

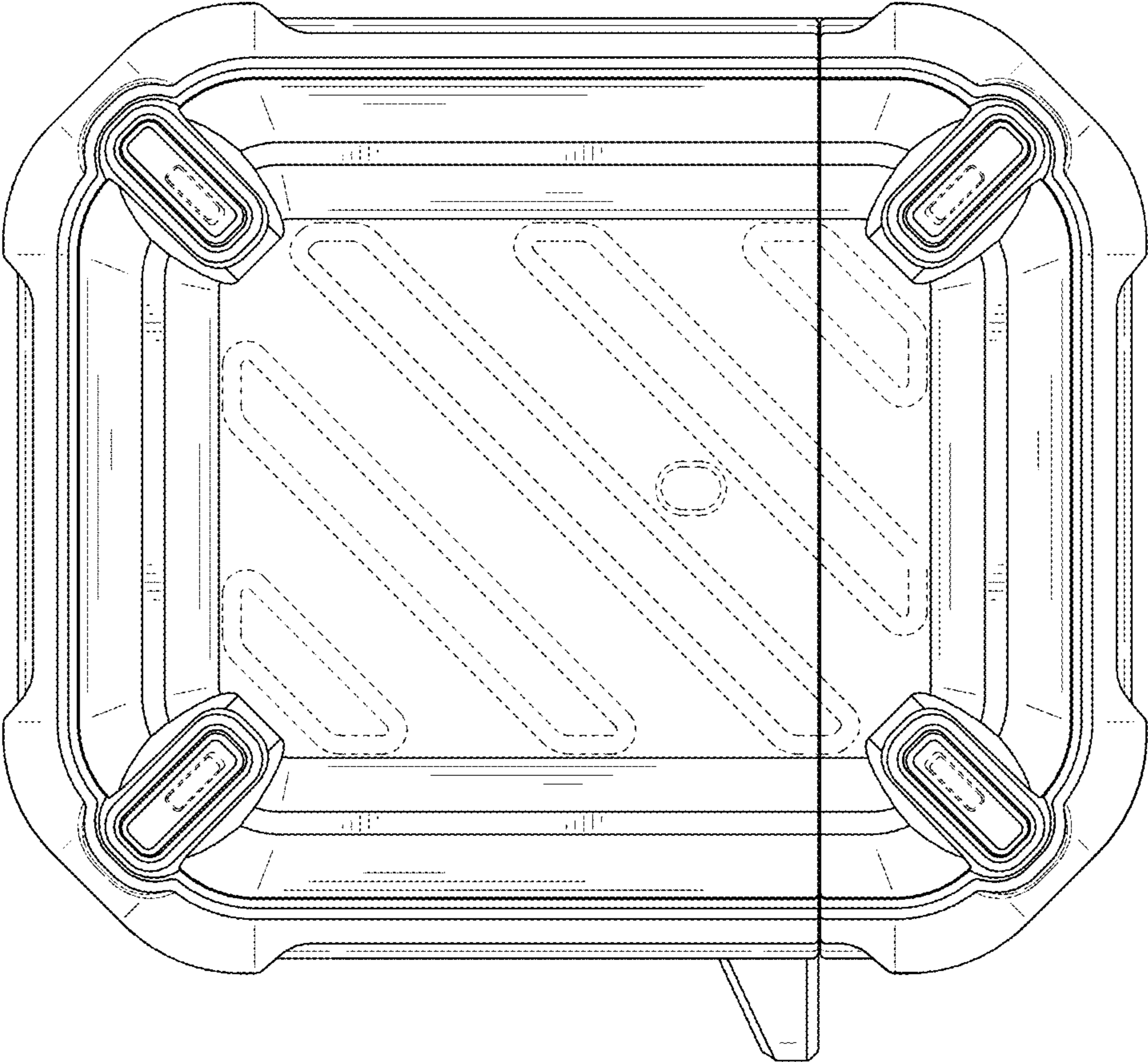


FIG. 8

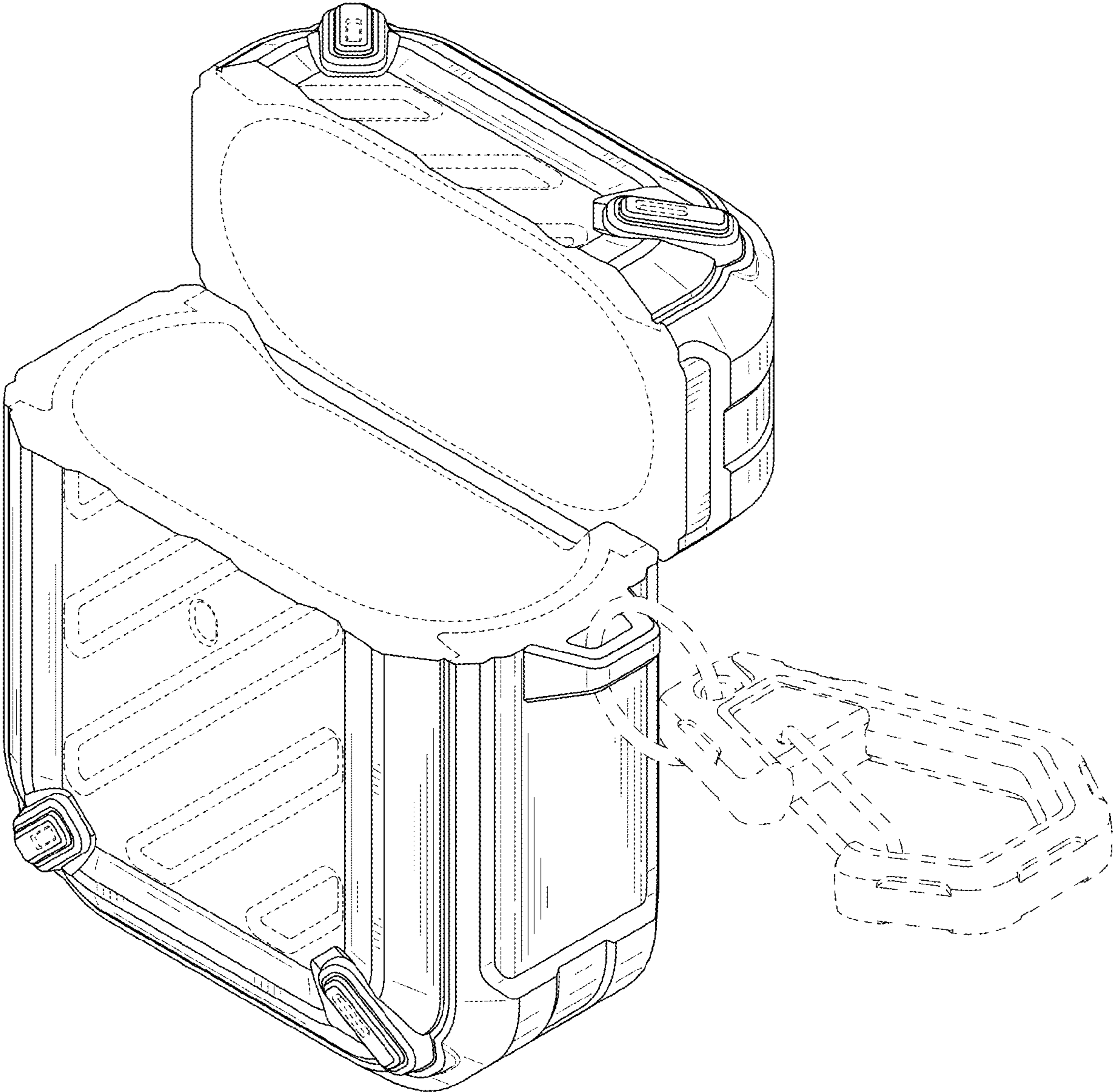


FIG. 9