



US00D888659S

(12) **United States Design Patent**
Zhang et al.

(10) **Patent No.:** **US D888,659 S**

(45) **Date of Patent:** **** Jun. 30, 2020**

(54) **CHARGER**

(71) Applicants: **Qingsen Zhang**, Shenzhen (CN);
Junling Chen, Shenzhen (CN);
Zhuohao Liang, Zhongshan (CN)

(72) Inventors: **Qingsen Zhang**, Shenzhen (CN);
Junling Chen, Shenzhen (CN);
Zhuohao Liang, Zhongshan (CN)

(73) Assignee: **UGREEN GROUP LIMITED**,
Shenzhen (CN)

(**) Term: **15 Years**

(21) Appl. No.: **29/666,732**

(22) Filed: **Oct. 16, 2018**

(51) **LOC (12) Cl.** **13-02**

(52) **U.S. Cl.**
USPC **D13/108**

(58) **Field of Classification Search**
USPC D13/107-108, 110, 118, 184; D14/251,
D14/253, 432, 434
CPC .. H02J 50/00; H02J 50/10; H02J 50/12; H02J
50/50; H02J 50/80; H02J 7/025; H02J
5/00; H02J 5/005; H02J 7/0042; H02J
7/0044; H02J 7/0045; H02J 7/00032;
H02J 7/00034

See application file for complete search history.

(56) **References Cited**

U.S. PATENT DOCUMENTS

D526,973 S *	8/2006	Gates	D13/168
D669,027 S *	10/2012	Kumpula	D13/108
D673,110 S *	12/2012	Sasada	D13/108
D704,634 S *	5/2014	Eidelman	D13/108
D725,034 S *	3/2015	Chen	D13/108
D735,131 S *	7/2015	Akana	D13/108
D737,762 S *	9/2015	Aumiller	D13/108

D762,168 S *	7/2016	Sandoval	D13/107
D765,593 S *	9/2016	Hoshikawa	D13/103
D786,792 S *	5/2017	Miller	D13/110
D790,492 S *	6/2017	Chaivoraporn	D13/184
D794,556 S *	8/2017	Liao	D13/107
D809,456 S *	2/2018	Miller	D13/110
D816,025 S *	4/2018	Thompson	D13/108
D816,029 S *	4/2018	Dai	D13/108
D821,309 S *	6/2018	Barnard	D13/108
D822,599 S *	7/2018	Zhong	D13/108
D829,167 S *	9/2018	Andre	D13/108
D830,298 S *	10/2018	Bailey	D13/108
D836,834 S *	12/2018	Cividi	D27/194
D839,189 S *	1/2019	Miller	D13/108
D850,372 S *	6/2019	Kong	D13/108
D855,567 S *	8/2019	Cai	D13/108
D859,307 S *	9/2019	Campos	D13/108
2016/0079781 A1 *	3/2016	Kyriakoulis	H02J 7/0042 320/114
2017/0126048 A1 *	5/2017	Wang	H02J 7/025
2019/0007531 A1 *	1/2019	Wang	G04G 17/08
2019/0372377 A1 *	12/2019	Weinstein	H02J 7/0042

* cited by examiner

Primary Examiner — Rosemary K Tarcza

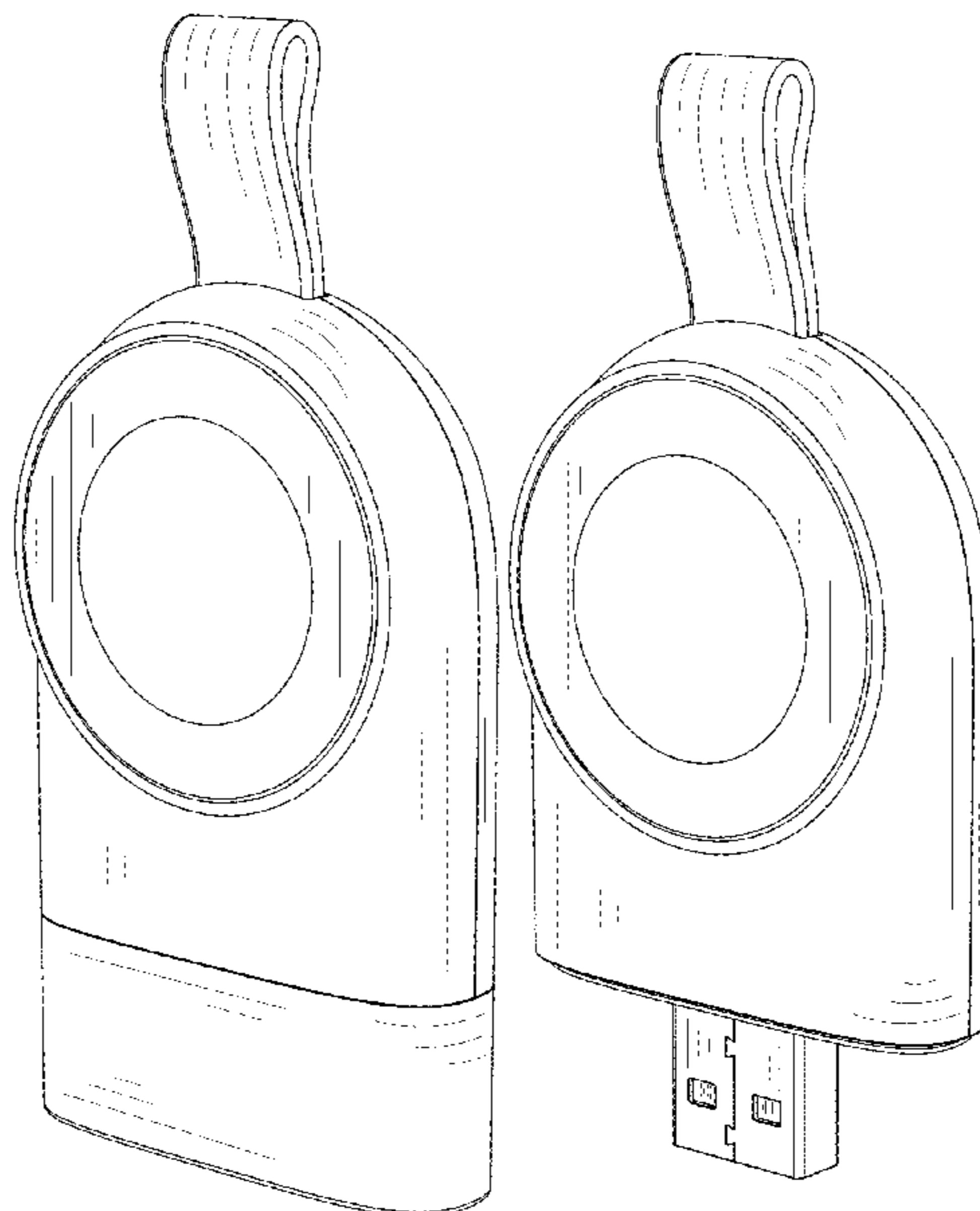
(57) **CLAIM**

The ornamental design for a charger, as shown and described.

DESCRIPTION

FIG. 1 is a perspective view of a charger showing my new design;
FIG. 2 is another perspective view thereof, shown with the cap removed for completeness of disclosure;
FIG. 3 is a front elevational view thereof;
FIG. 4 is a rear elevational view thereof;
FIG. 5 is a left side elevational view thereof;
FIG. 6 is a right side elevational view thereof;
FIG. 7 is a top plan view thereof; and,
FIG. 8 is a bottom plan view thereof.

1 Claim, 8 Drawing Sheets



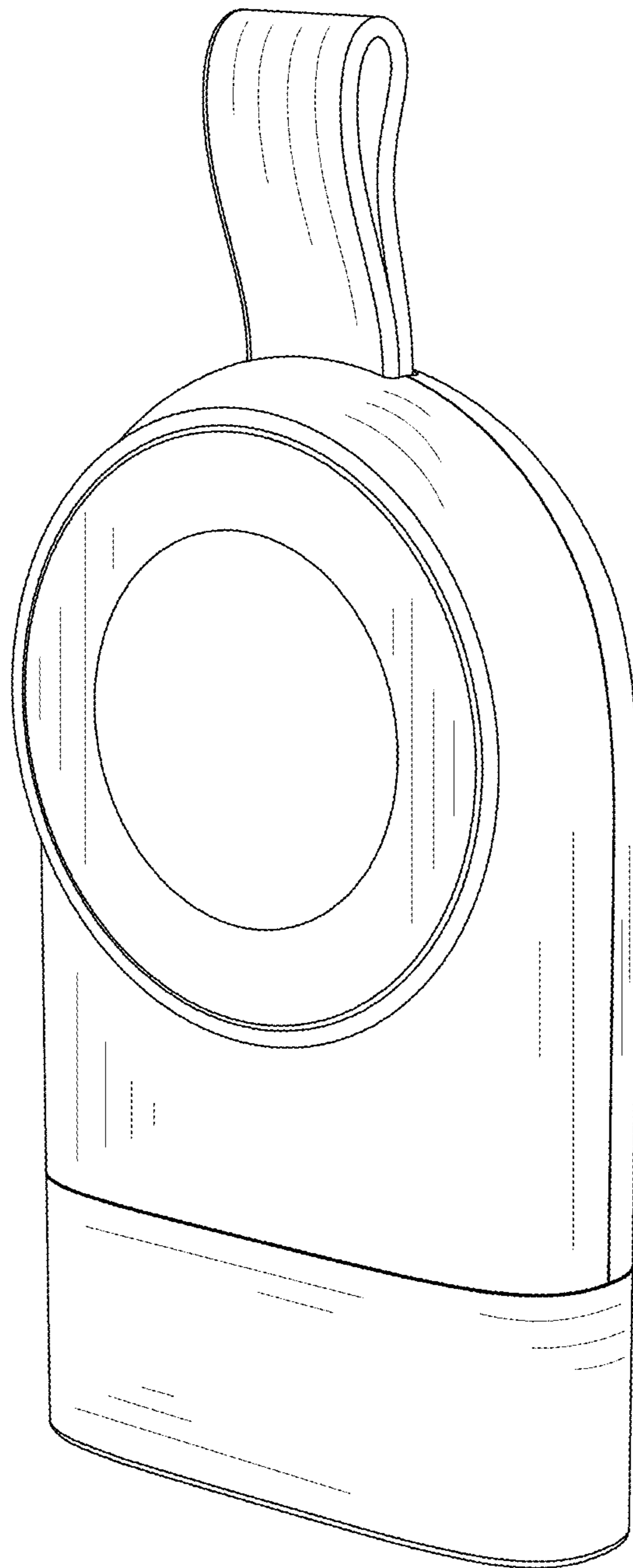


FIG. 1

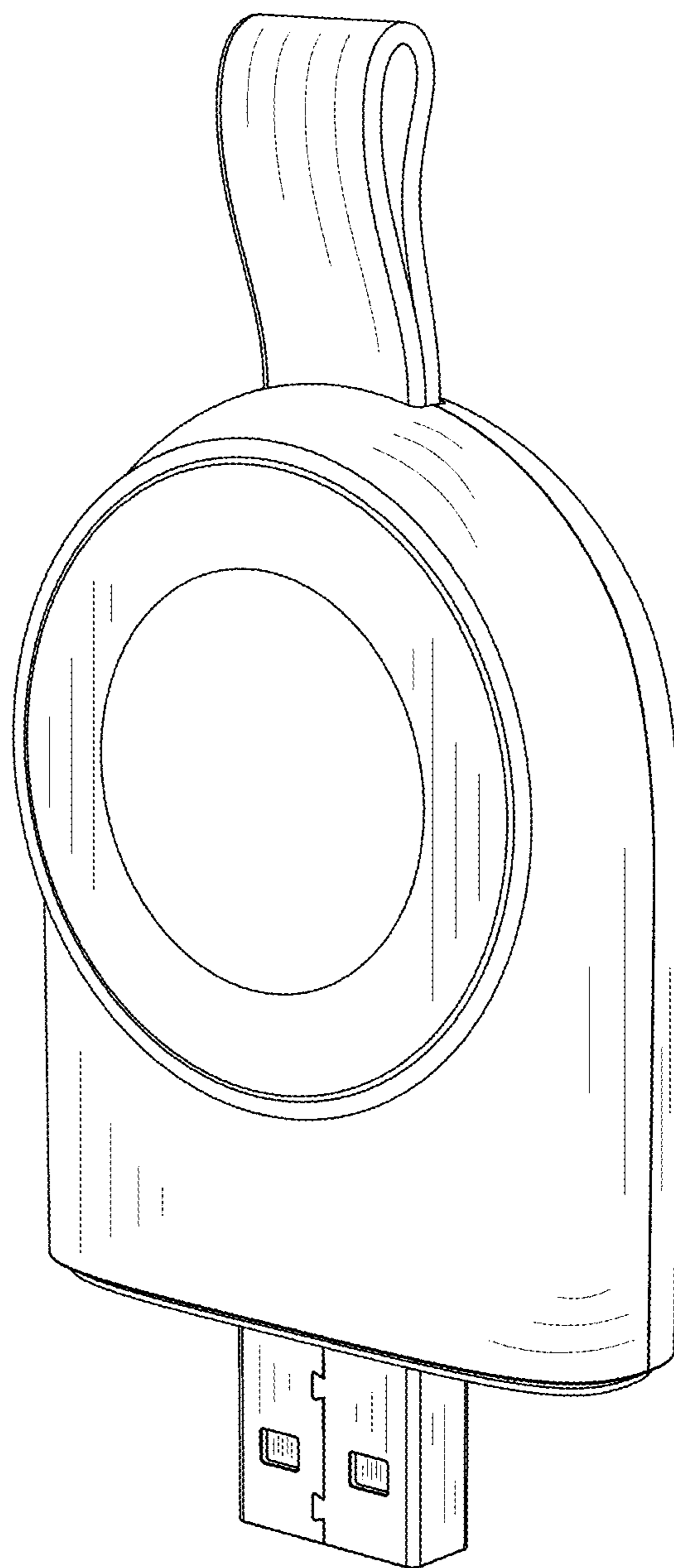


FIG. 2

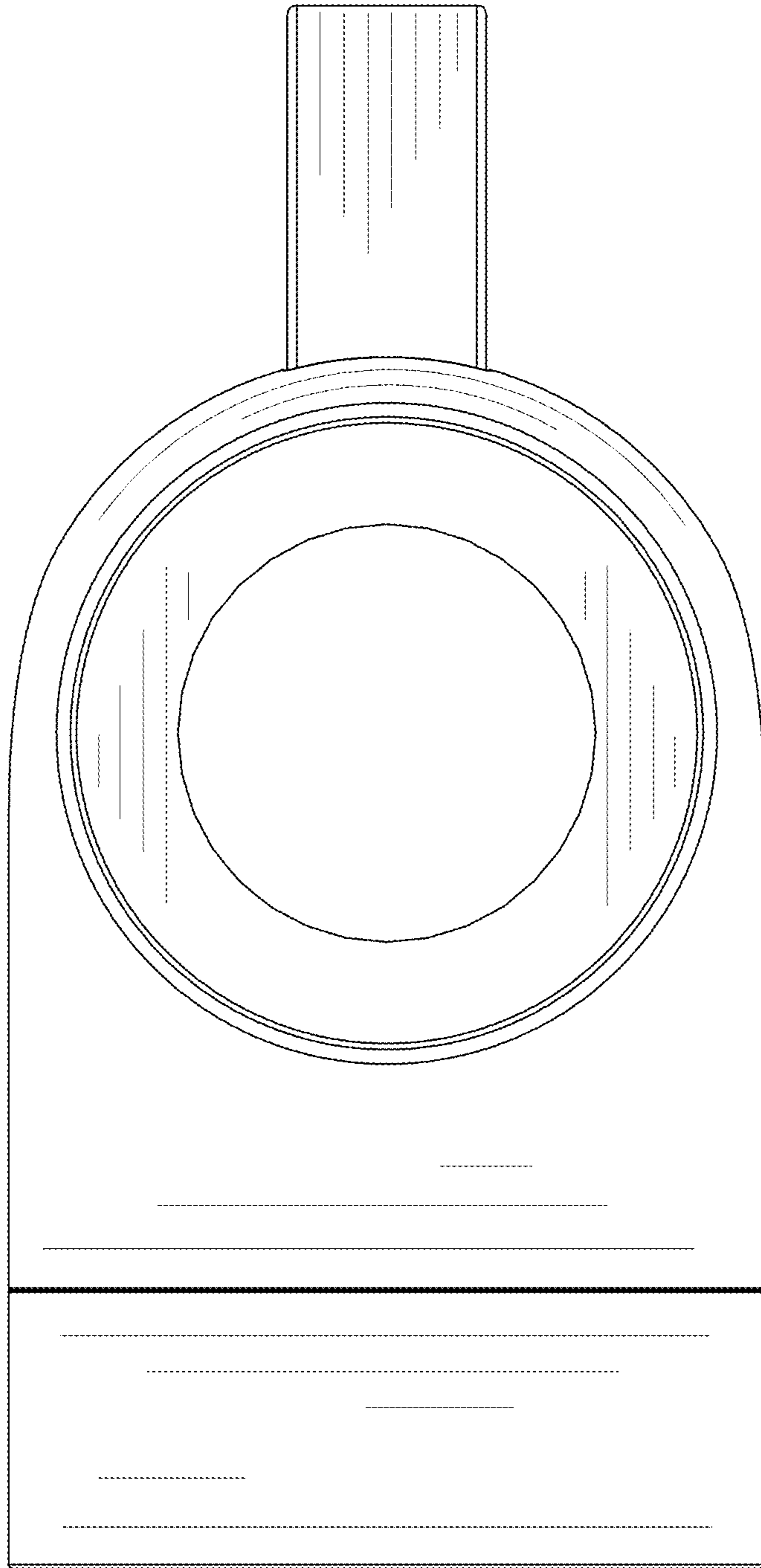


FIG. 3

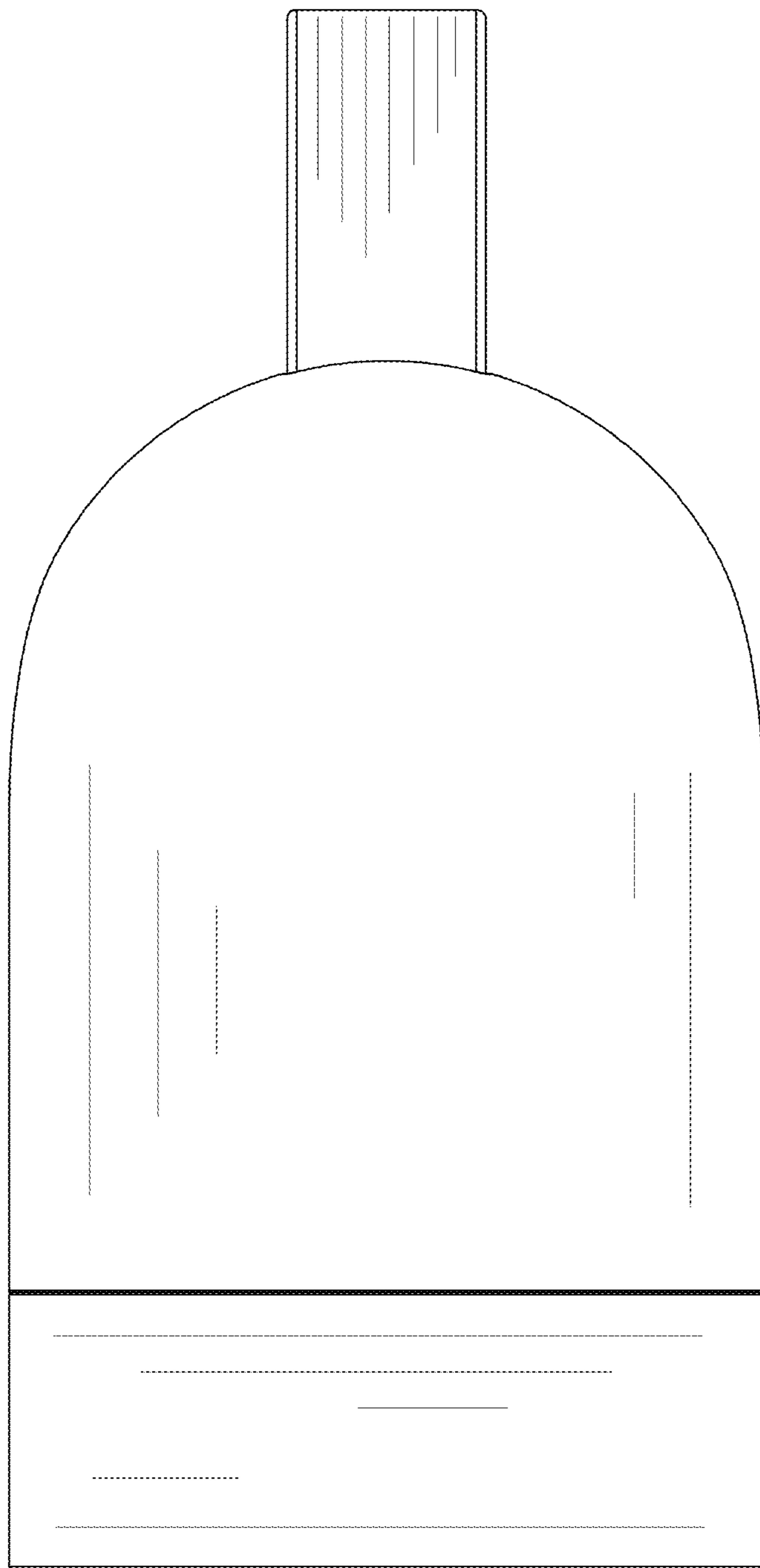


FIG. 4

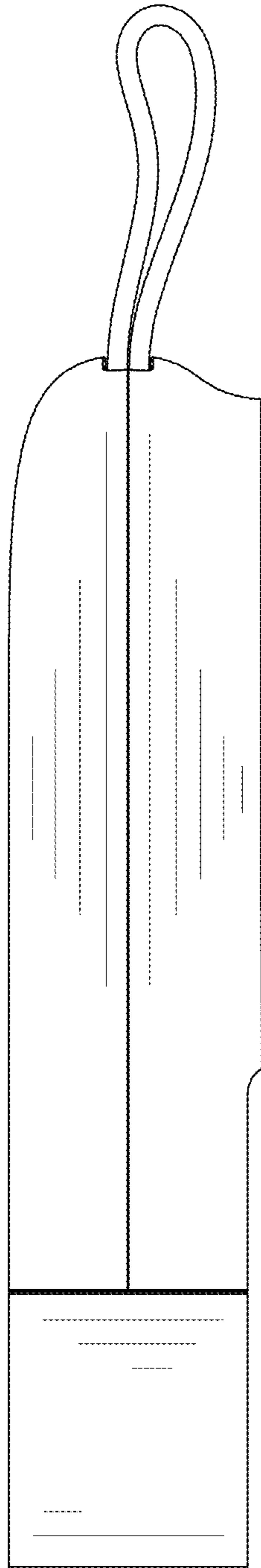


FIG. 5

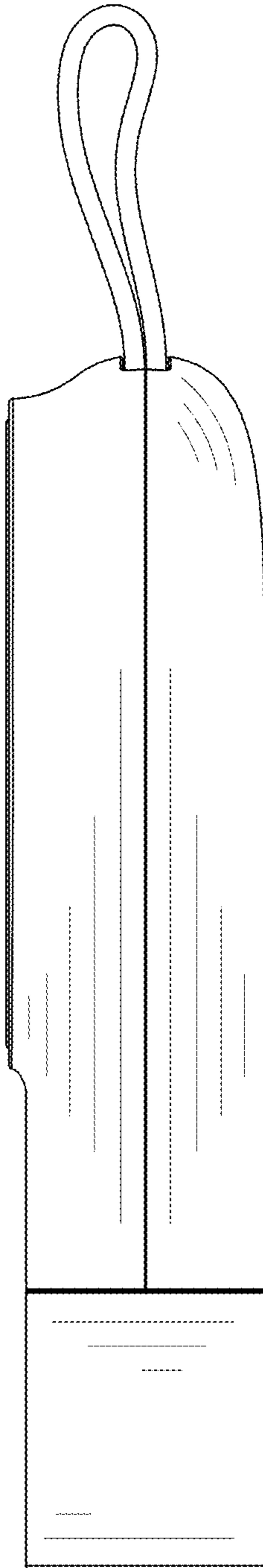


FIG. 6

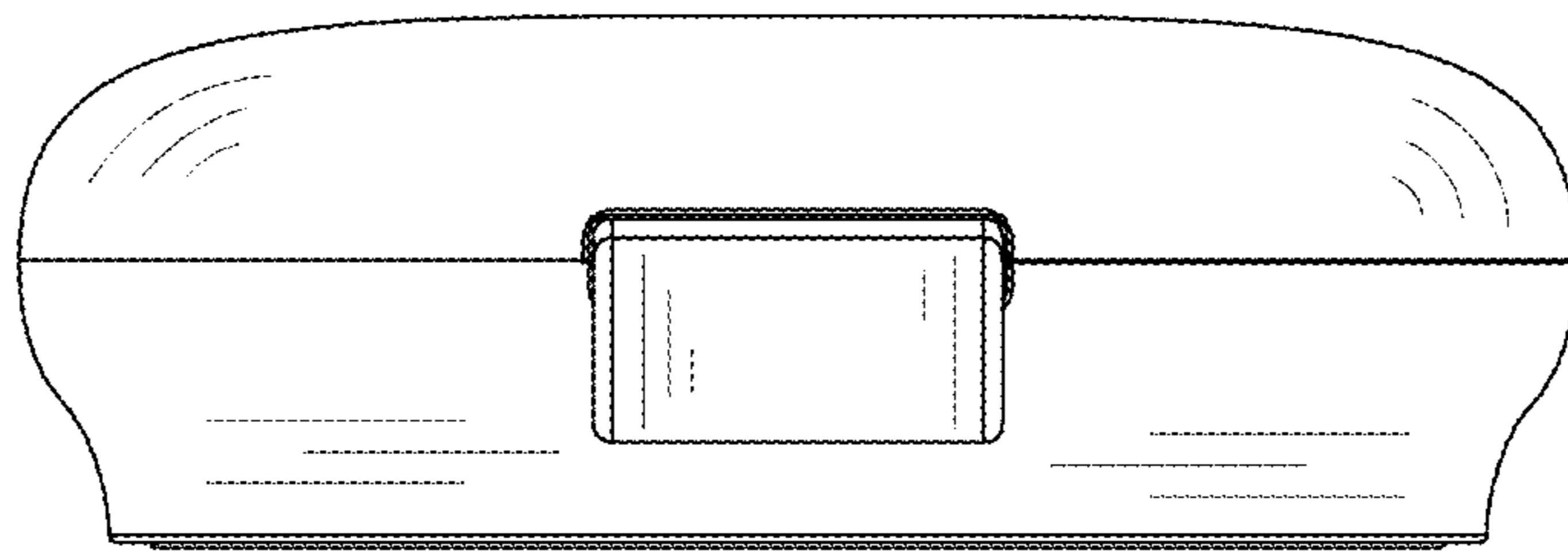


FIG. 7

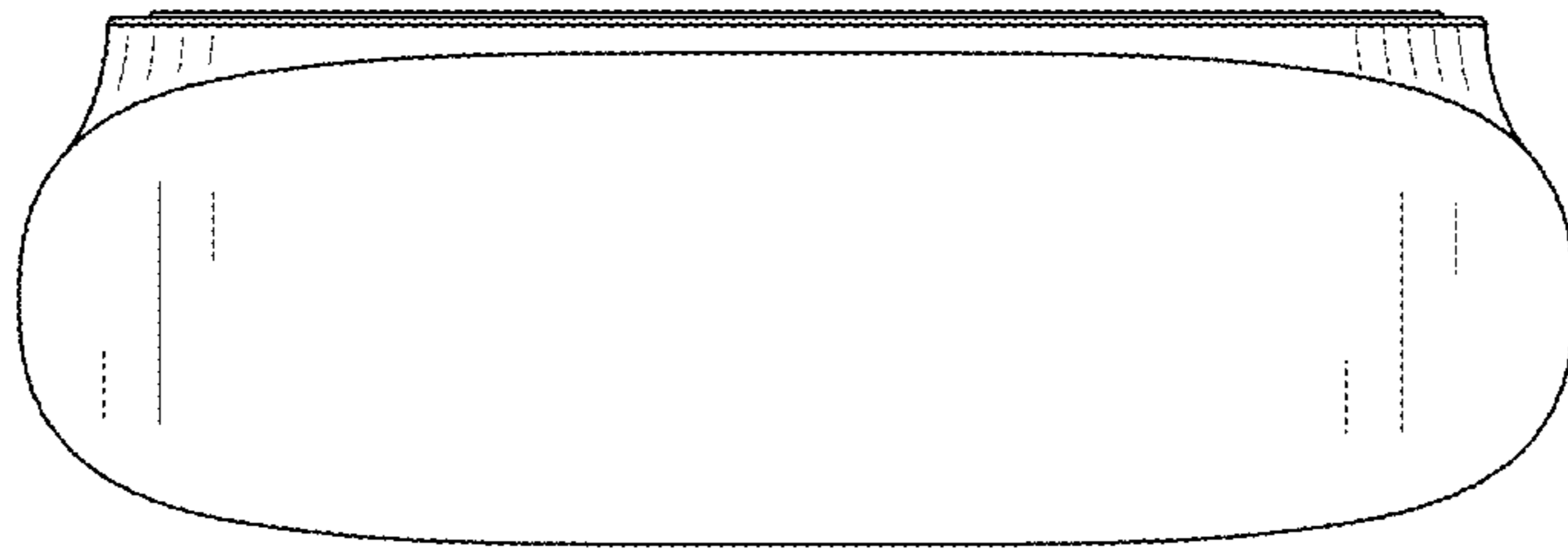


FIG. 8