



US00D888658S

(12) **United States Design Patent** (10) **Patent No.:** **US D888,658 S**
Urasini et al. (45) **Date of Patent:** **** Jun. 30, 2020**

- (54) **RECHARGEABLE BATTERY CHARGER**
- (71) Applicant: **PHILIP MORRIS PRODUCTS S.A.**, Neuchatel (CH)
- (72) Inventors: **Sara Urasini**, Wicklow (IE); **Florent Cuchet**, Stockholm (SE); **Peter Bevan**, Wicklow (IE); **Bayden Filleul**, Dublin (IE); **Michael Nolan**, Dublin (IE)
- (73) Assignee: **PHILIP MORRIS PRODUCTS S.A.**, Neuchatel (CH)
- (**) Term: **15 Years**
- (21) Appl. No.: **29/692,597**
- (22) Filed: **May 28, 2019**

Related U.S. Application Data

- (62) Division of application No. 35/504,797, filed on Oct. 20, 2017 (U.S. filing date under 35 U.S.C. 384), and (Continued)

Foreign Application Priority Data

- (30)
 - Apr. 21, 2017 (EM) 003865708-0001
 - Apr. 21, 2017 (EM) 003865708-0003
 - Apr. 21, 2017 (EM) 003865708-0005
 - Apr. 21, 2017 (EM) 003865708-0006
- (51) **LOC (12) Cl.** **13-02**
- (52) **U.S. Cl.**
USPC **D13/107**; D13/103
- (58) **Field of Classification Search**
USPC D13/102-110, 118-119, 184, 199;
D14/356, 432
CPC Y02E 60/10; Y02E 60/12; Y02E 60/122;
Y02E 60/124; Y02E 60/50; H01M 2/02;
H01M 2/022; H01M 2/0202; H01M
2/0207; H01M 2/0212; H01M 2/1061;
H01M 2/1022; H01M 2/1055; H01M
2/1066;

(Continued)

- (56) **References Cited**
U.S. PATENT DOCUMENTS
D660,794 S 5/2012 Fahrendorff et al.
D722,961 S * 2/2015 Lin D13/103
(Continued)

FOREIGN PATENT DOCUMENTS

- AU 360099 4/2014
- CN 302789796 S 4/2014
(Continued)

OTHER PUBLICATIONS

Vietnamese Office Action dated Apr. 18, 2019, in Design Application No. 3-2017-02197, citing documents AA, and AO through AT therein, 2 pages.

Primary Examiner — Nathaniel D. Buckner

(74) *Attorney, Agent, or Firm* — Oblon, McClelland, Maier & Neustadt, L.L.P.

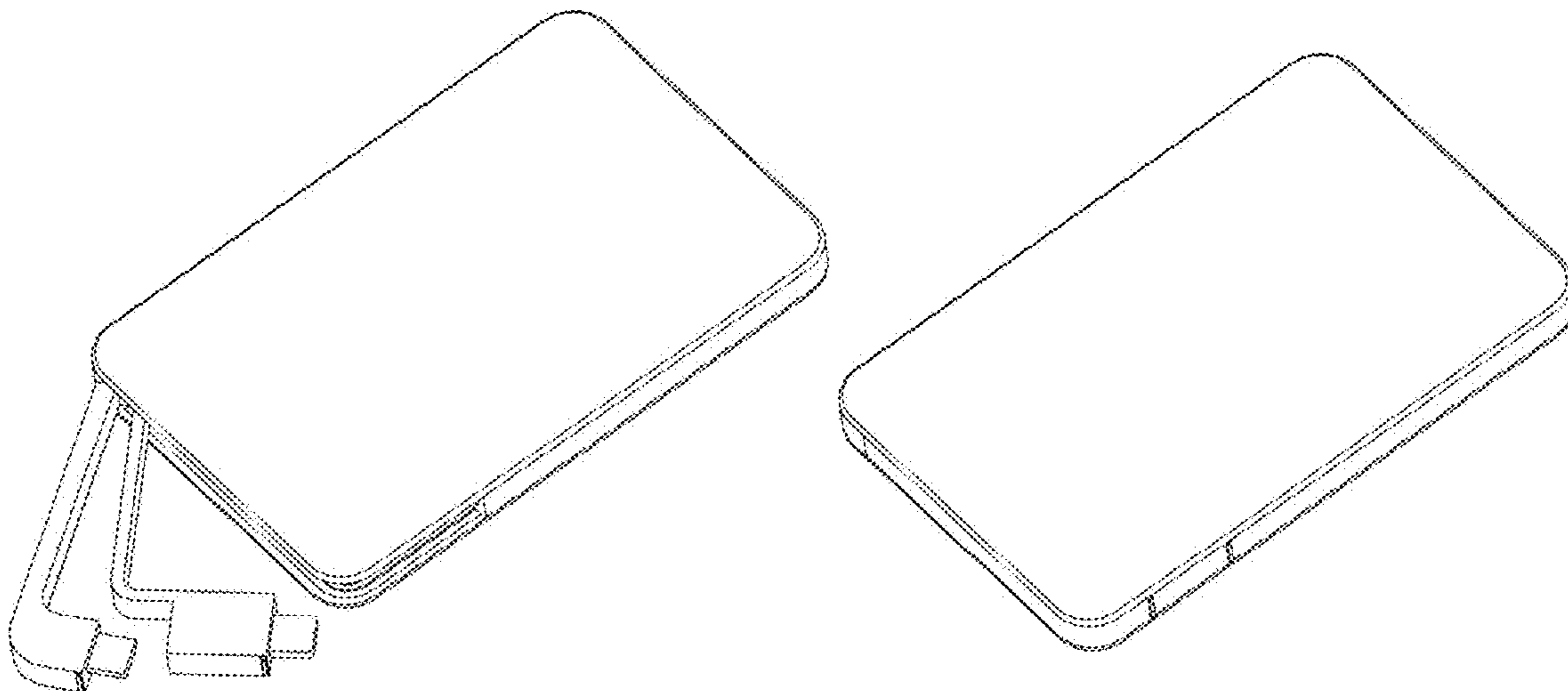
(57) **CLAIM**

The ornamental design for a rechargeable battery charger, as shown and described.

DESCRIPTION

FIG. 1 is a front, top, and left side perspective view of a rechargeable battery charger;
FIG. 2 is a front elevational view thereof;
FIG. 3 is a rear elevational view thereof;
FIG. 4 is a left side elevational view thereof;
FIG. 5 is a right side elevational view thereof;
FIG. 6 is a top plan view thereof;
FIG. 7 is a bottom plan view thereof; and,
FIG. 8 is another front, top, and left side perspective view thereof showing the rechargeable battery charger with the plugs folded.

1 Claim, 8 Drawing Sheets



Related U.S. Application Data

having an international filing date of Oct. 20, 2017,
now Pat. No. Des. 869,393.

(58) **Field of Classification Search**

CPC H01M 2/105; H01M 2/20; H01M 2/204;
H01M 2/206; H01M 10/44; H01M 10/46;
H01M 10/465; H01M 10/482; H01M
2200/30; H01M 2250/30; H01M 2250/40;
H02J 7/00; H02J 7/0003; H02J 7/0011;
H02J 7/0013; H02J 7/0054; H02J 7/0055;
H02J 7/0057; H02J 2007/0062

See application file for complete search history.

(56)

References Cited

U.S. PATENT DOCUMENTS

D742,312 S * 11/2015 Gupta D13/103
D764,404 S * 8/2016 Lau D13/103

9,893,543 B2 * 2/2018 Miller F21L 4/08
D823,239 S * 7/2018 Gupta D13/103
D824,329 S * 7/2018 Conocenti D13/108
D853,322 S * 7/2019 Xu D13/108
D853,396 S * 7/2019 Kong D14/434
D853,959 S * 7/2019 Miller D13/108
D871,329 S * 12/2019 Chen D13/108
2015/0123620 A1 * 5/2015 Nowak H02J 7/342
320/137
2018/0166894 A1 * 6/2018 Miller H02J 7/025
2018/0262029 A1 * 9/2018 Miller H04M 1/0254

FOREIGN PATENT DOCUMENTS

CN 303059048 S 12/2014
CN 304072464 S 3/2017
JP 1500012 S 6/2014
KR 30-0855862 S 5/2016

* cited by examiner

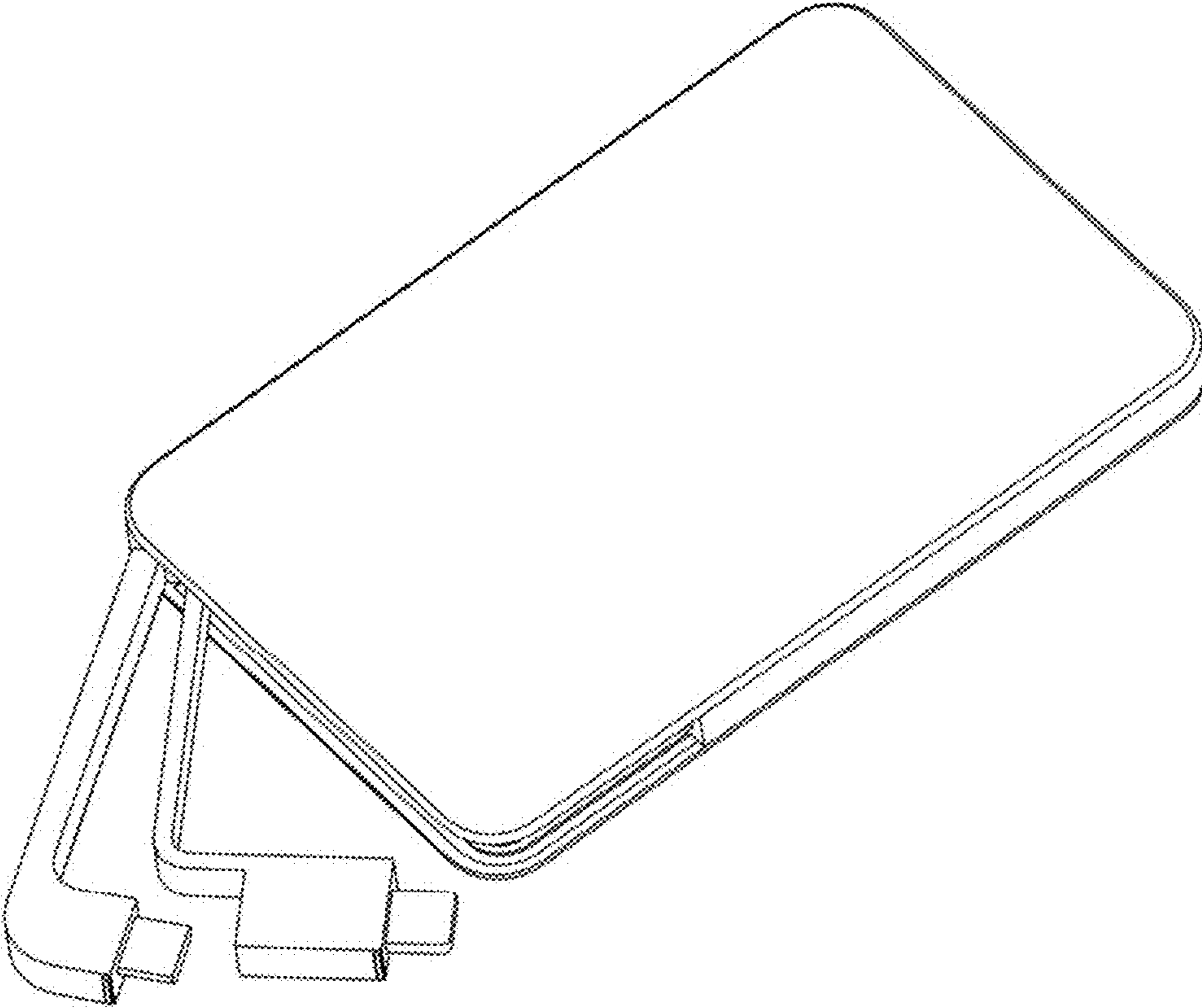


FIG. 1

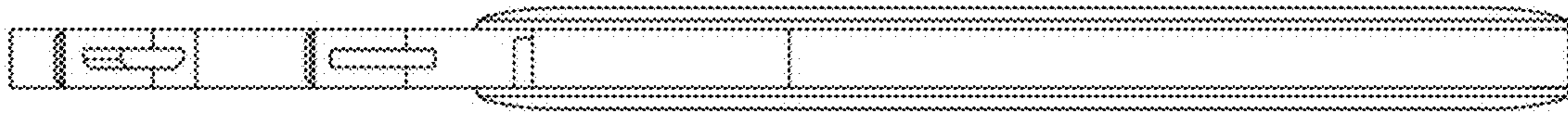


FIG. 2

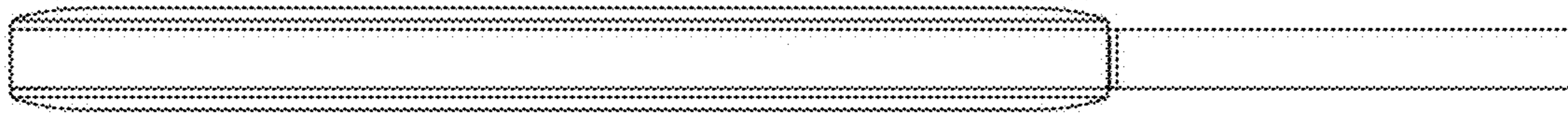


FIG. 3

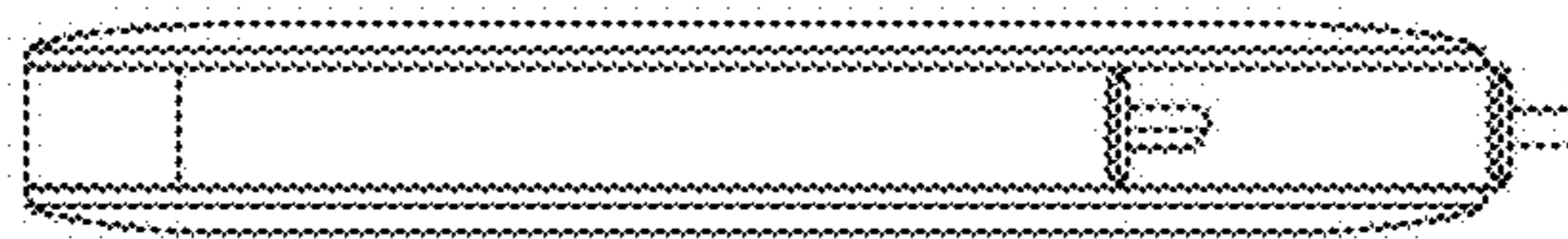


FIG. 4

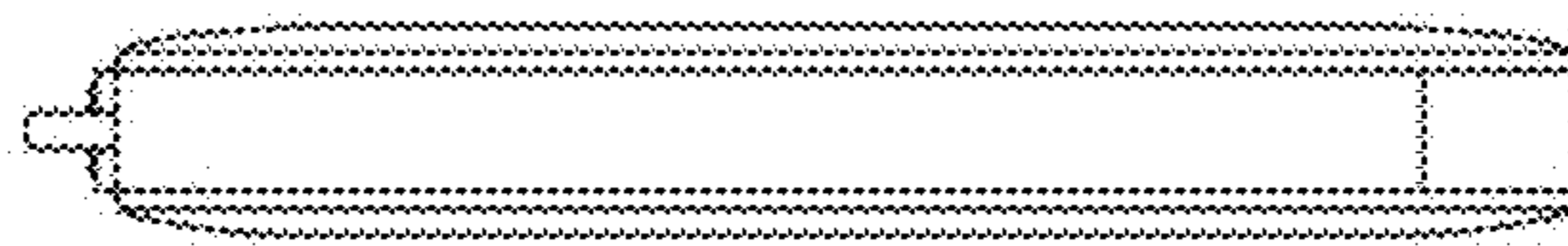


FIG. 5

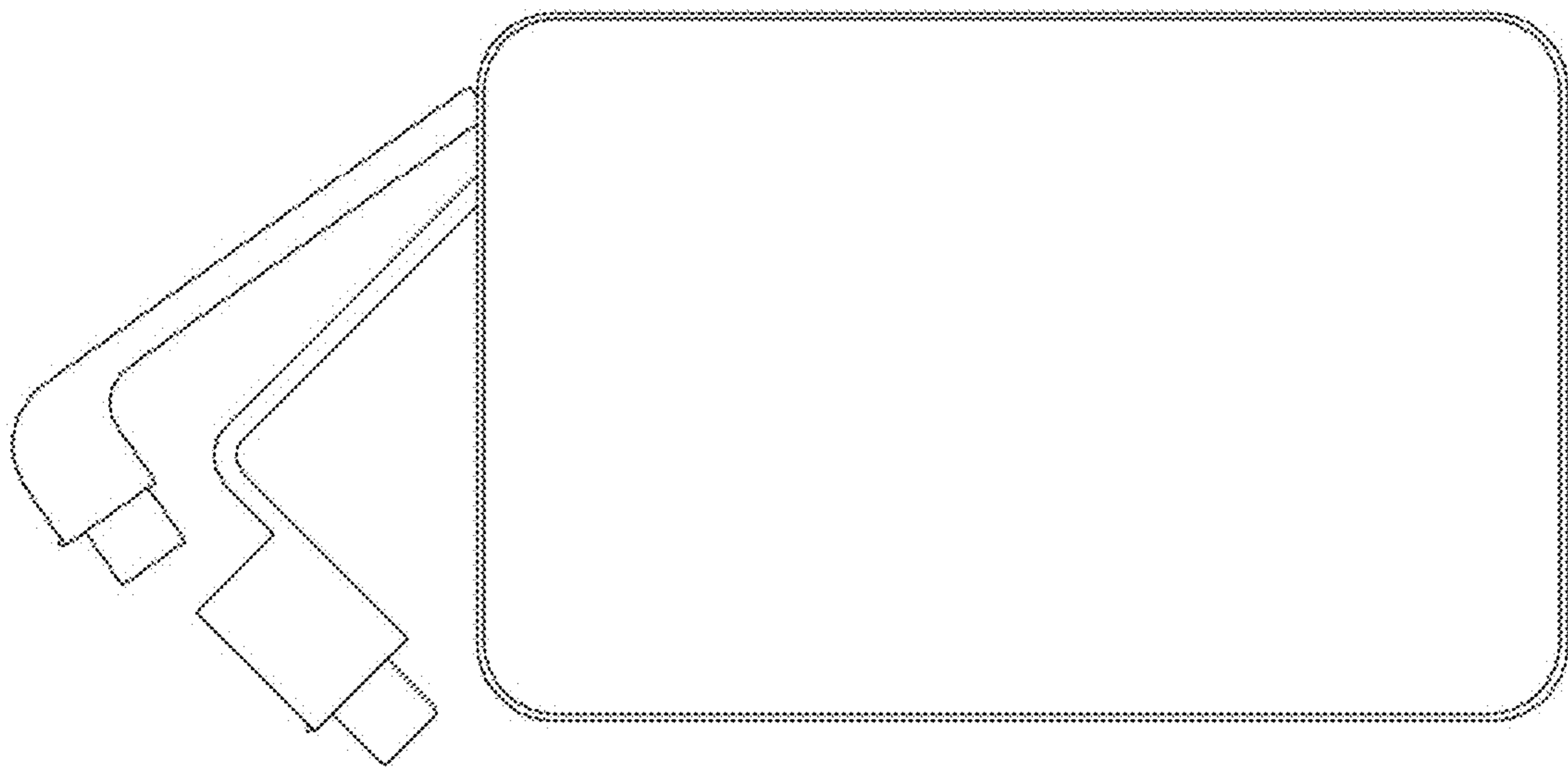


FIG. 6

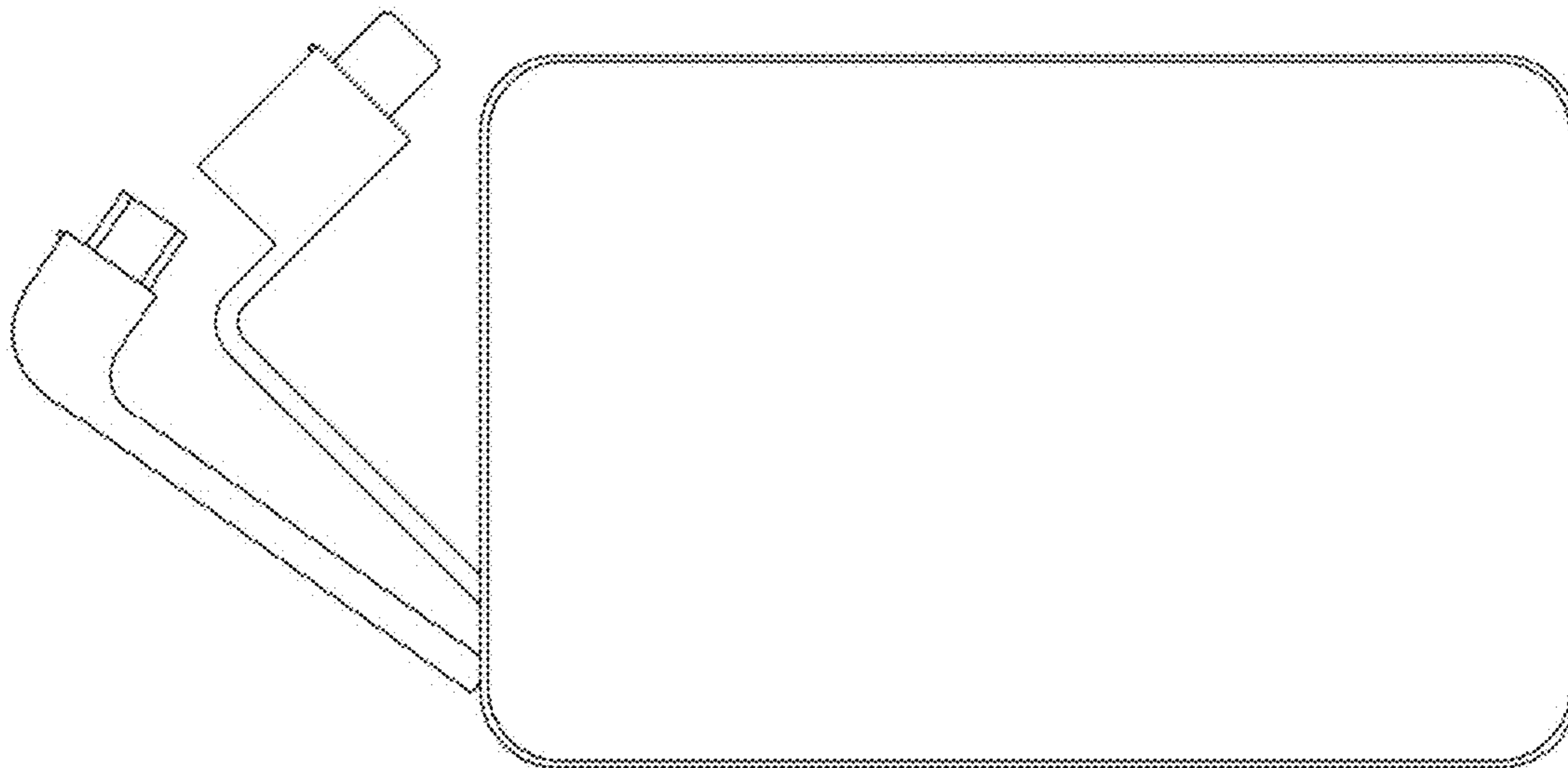


FIG. 7

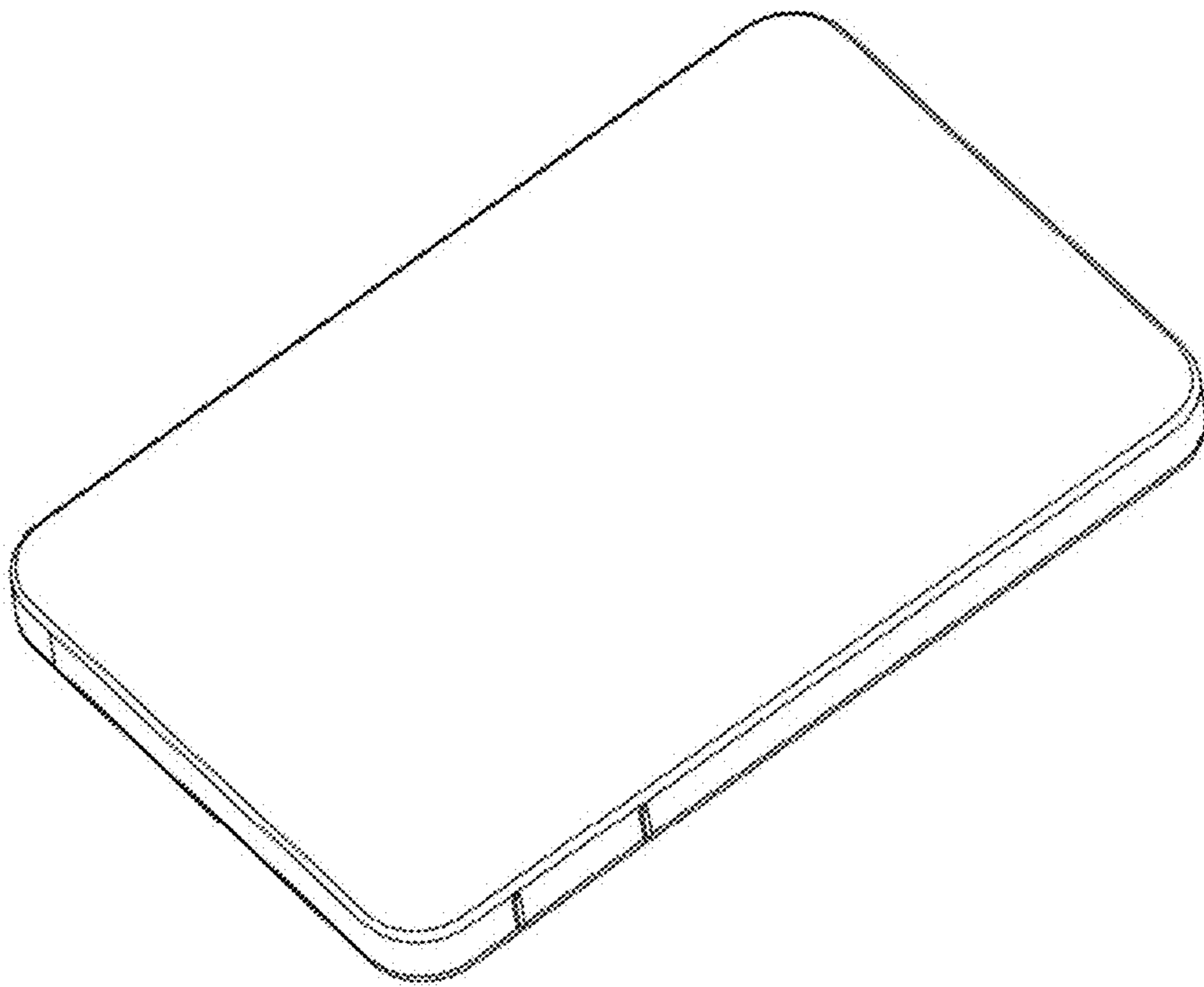


FIG. 8