



US00D888656S

(12) **United States Design Patent** (10) **Patent No.:** **US D888,656 S**
Aiken et al. (45) **Date of Patent:** **** Jun. 30, 2020**

(54) **COVER GLASS-INTERCONNECT-MOSAIC SOLAR CELL**

(71) Applicant: **SolAero Technologies Corp.**,
Albuquerque, NM (US)

(72) Inventors: **Daniel Aiken**, Cedar Crest, NM (US);
Daniel Derkacs, Albuquerque, NM (US);
Claiborne McPheeters, Albuquerque, NM (US)

(73) Assignee: **SolAero Technologies Corp.**,
Albuquerque, NM (US)

(**) Term: **15 Years**

(21) Appl. No.: **29/688,005**

(22) Filed: **Apr. 17, 2019**

(51) **LOC (12) Cl.** **13-02**

(52) **U.S. Cl.**
USPC **D13/102**

(58) **Field of Classification Search**
USPC D13/101, 102, 103, 118, 119, 184, 199;
D14/441, 447, 451
CPC H02S 20/20; H02S 20/24; H02S 20/30;
H02S 30/10; H02S 40/36; Y02B 10/12;
Y02B 10/20
See application file for complete search history.

(56) **References Cited**

U.S. PATENT DOCUMENTS

| | | | | |
|----------------|---------|-----------|-------|------------------------|
| D524,727 S * | 7/2006 | Yamashita | | D13/102 |
| D543,501 S * | 5/2007 | Yamashita | | D13/102 |
| 8,205,400 B2 * | 6/2012 | Allen | | H01L 31/048 136/244 |
| D684,112 S * | 6/2013 | Fallon | | D13/102 |
| 8,607,510 B2 * | 12/2013 | Daniels | | E04D 1/30 126/622 |
| D719,909 S * | 12/2014 | Iwasaki | | D13/102 |

| | | | | |
|-----------------|---------|-----------|-------|-------------|
| 9,082,913 B2 * | 7/2015 | Karpovich | | H01L 31/048 |
| 9,156,568 B1 * | 10/2015 | Spence | | B64G 1/222 |
| D750,556 S * | 3/2016 | Morad | | D13/102 |
| 9,281,777 B1 * | 3/2016 | Borgstrom | | F16M 11/38 |
| 9,394,693 B2 * | 7/2016 | Daniels | | H02S 20/25 |
| D767,484 S * | 9/2016 | Morad | | D13/102 |
| D778,234 S * | 2/2017 | Cheung | | D13/102 |
| D814,402 S * | 4/2018 | Cheung | | D13/102 |
| D817,265 S * | 5/2018 | Liu | | D13/102 |
| D823,237 S * | 7/2018 | Albright | | D13/102 |
| D830,296 S * | 10/2018 | Liu | | D13/102 |
| D832,203 S * | 10/2018 | Caswell | | D13/102 |
| 10,141,885 B2 * | 11/2018 | Smadja | | H02S 20/00 |
| D841,571 S * | 2/2019 | Zhou | | D13/102 |
| D857,624 S * | 8/2019 | Katov | | D13/102 |
| D866,456 S * | 11/2019 | Negley | | D13/102 |
| 10,536,108 B2 * | 1/2020 | Goldberg | | H02S 20/20 |

* cited by examiner

Primary Examiner — Susan Bennett Hattan
Assistant Examiner — Suzanne E Tisdell

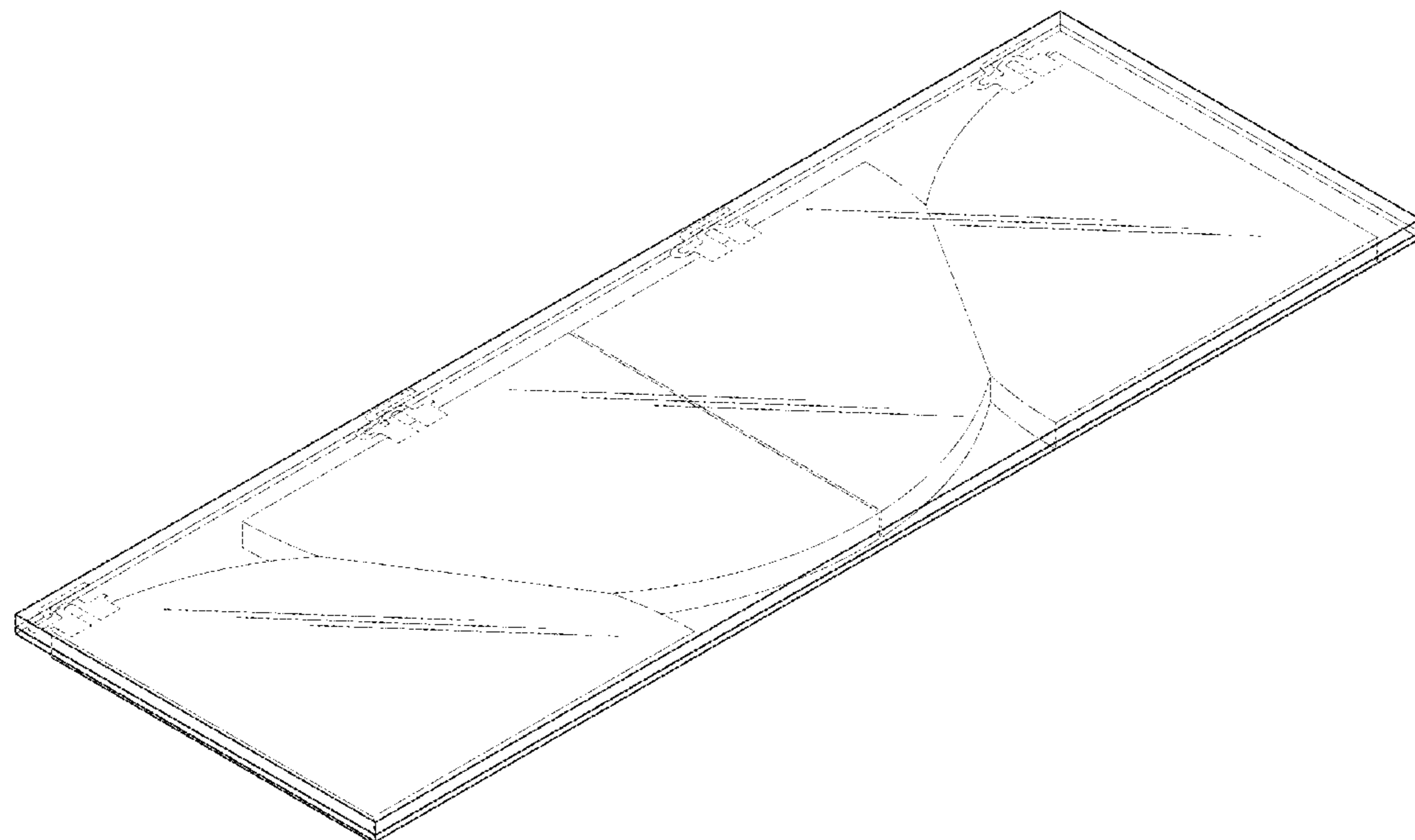
(57) **CLAIM**

The ornamental design for a cover glass-interconnect-mosaic solar cell, as shown and described.

DESCRIPTION

FIG. 1 is a top perspective view that illustrates the cover glass-interconnect-mosaic solar cell showing our new design;
FIG. 2 is a front side elevation view thereof;
FIG. 3 is a rear side elevation view thereof;
FIG. 4 is a top plan view thereof;
FIG. 5 is a bottom plan view thereof;
FIG. 6 is a left side elevation view thereof; and,
FIG. 7 is a right side elevation view thereof.
The broken line portion of the figure drawings is included to show portions of the article that form no part of the claimed design.

1 Claim, 5 Drawing Sheets



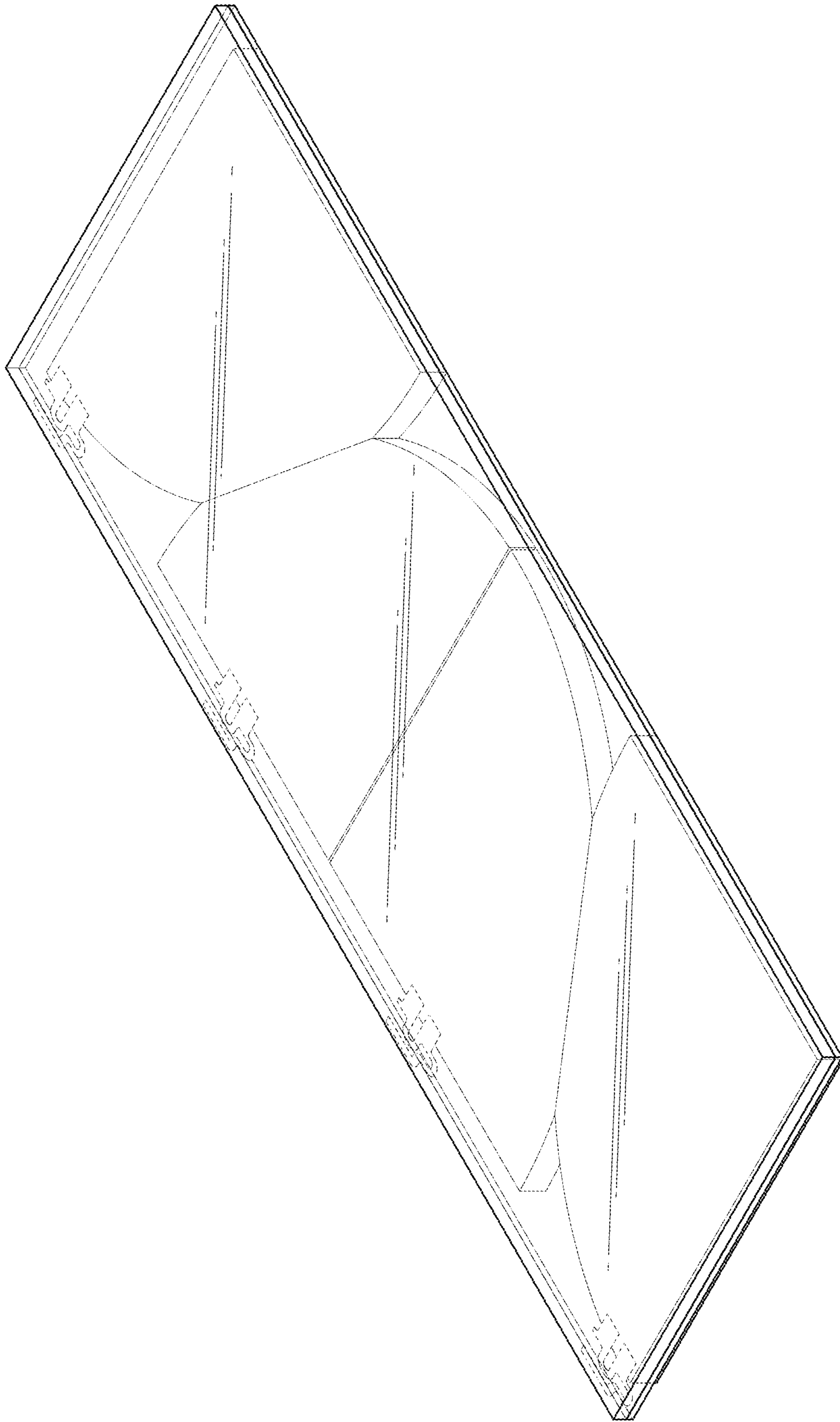


FIG. 1

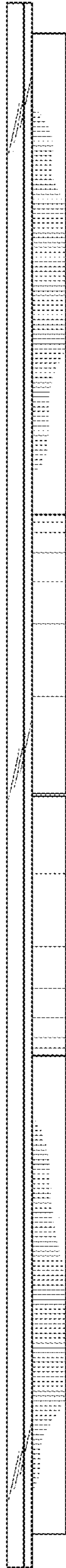


FIG. 2

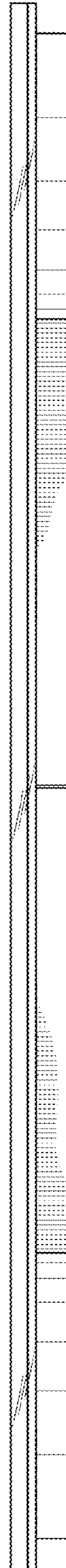


FIG. 3

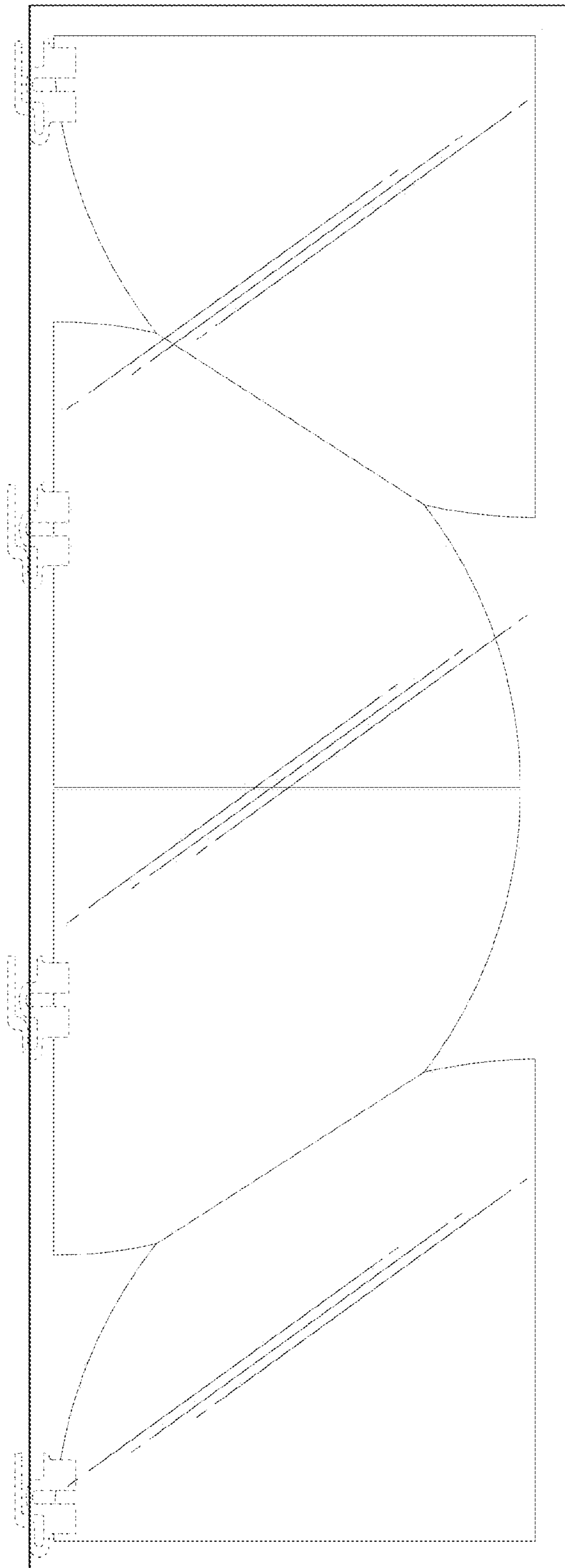


FIG. 4

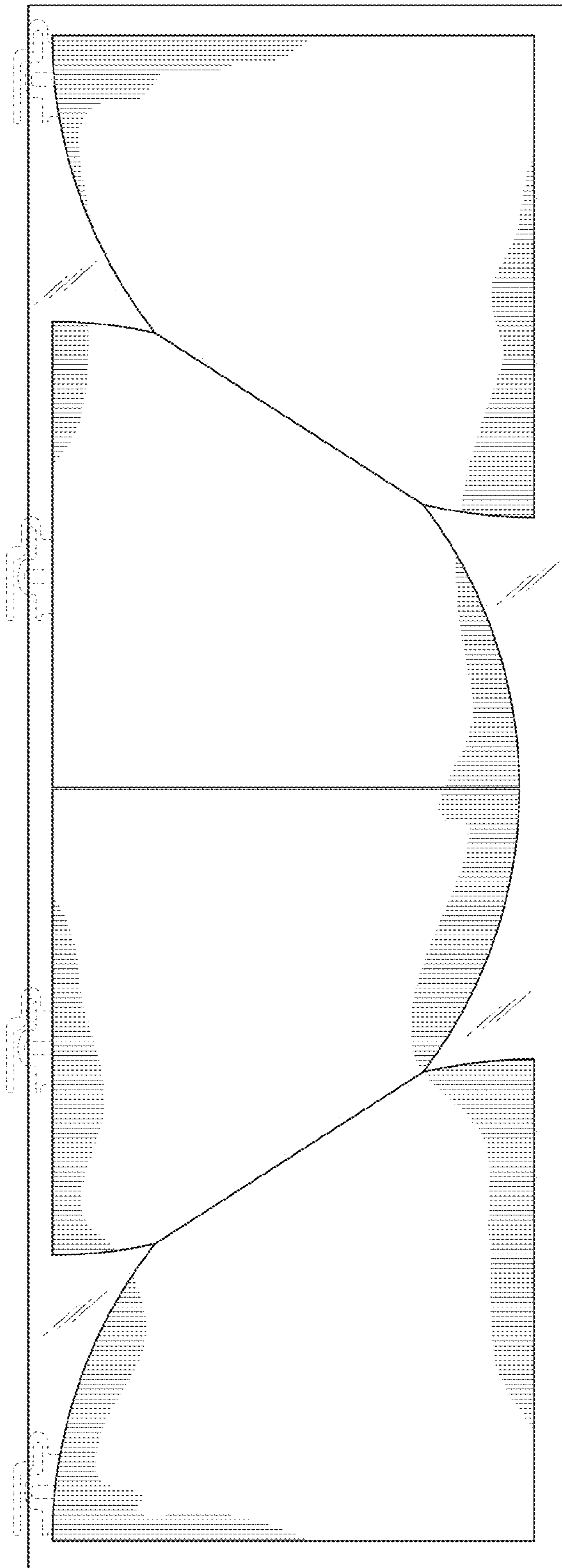


FIG. 5

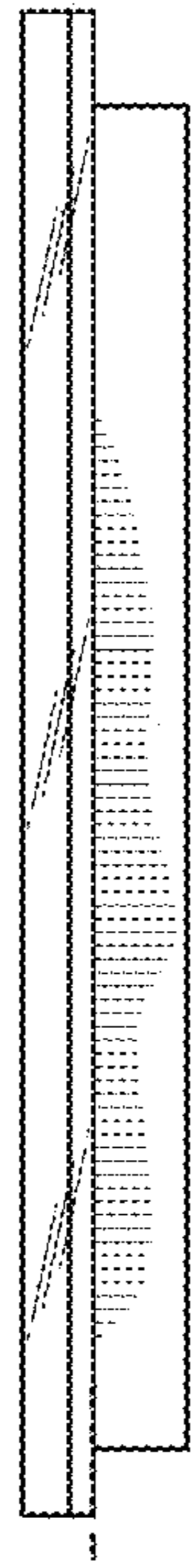


FIG. 6



FIG. 7