



US00D888655S

(12) **United States Design Patent**  
**Yang**

(10) **Patent No.:** **US D888,655 S**

(45) **Date of Patent:** **\*\* Jun. 30, 2020**

(54) **FLEXIBLE INTERCONNECTING MEMBER FOR SOLAR CELLS**

(71) Applicant: **SolAero Technologies Corp.**,  
Albuquerque, NM (US)

(72) Inventor: **Lei Yang**, Albuquerque, NM (US)

(73) Assignee: **SolAero Technologies Corp.**,  
Albuquerque, NM (US)

(\*\*) Term: **15 Years**

(21) Appl. No.: **29/583,349**

(22) Filed: **Nov. 4, 2016**

**Related U.S. Application Data**

(62) Division of application No. 29/552,861, filed on Jan. 26, 2016, now Pat. No. Des. 777,099.

(51) **LOC (12) Cl.** ..... **13-02**

(52) **U.S. Cl.**  
USPC ..... **D13/102**

(58) **Field of Classification Search**  
USPC ..... D13/101, 102, 103  
CPC . H01L 31/042; H01L 31/043; H01L 31/0445;  
H02S 30/00; H02S 30/20  
See application file for complete search history.

(56) **References Cited**

**U.S. PATENT DOCUMENTS**

D572,843 S \* 7/2008 Berry ..... D25/139  
8,148,627 B2 \* 4/2012 Rose ..... H01L 31/0516  
136/244

D665,338 S \* 8/2012 Tourino ..... D13/102  
D665,339 S \* 8/2012 Tourino ..... D13/102  
D673,903 S \* 1/2013 Kobayashi ..... D13/102  
D673,904 S \* 1/2013 Kobayashi ..... D13/102  
D699,176 S \* 2/2014 Salomon ..... D13/102  
D777,099 S \* 1/2017 Yang ..... D13/102  
D780,110 S \* 2/2017 Yang ..... D13/102  
2011/0023934 A1 \* 2/2011 Xue ..... H01L 27/301  
136/245

\* cited by examiner

*Primary Examiner* — Susan E Krakower

*Assistant Examiner* — Andrew Kerr

(57) **CLAIM**

The ornamental design for a flexible interconnecting member for solar cells, as shown and described.

**DESCRIPTION**

The present application is also related to U.S. patent application Ser. No. 29/552,355 filed Nov. 4, 2016.

FIG. 1 is a top perspective view of a flexible interconnecting member for solar cells showing my new design;

FIG. 2 is a top plan view thereof;

FIG. 3 is a bottom plan view thereof;

FIG. 4 is a front elevation view thereof;

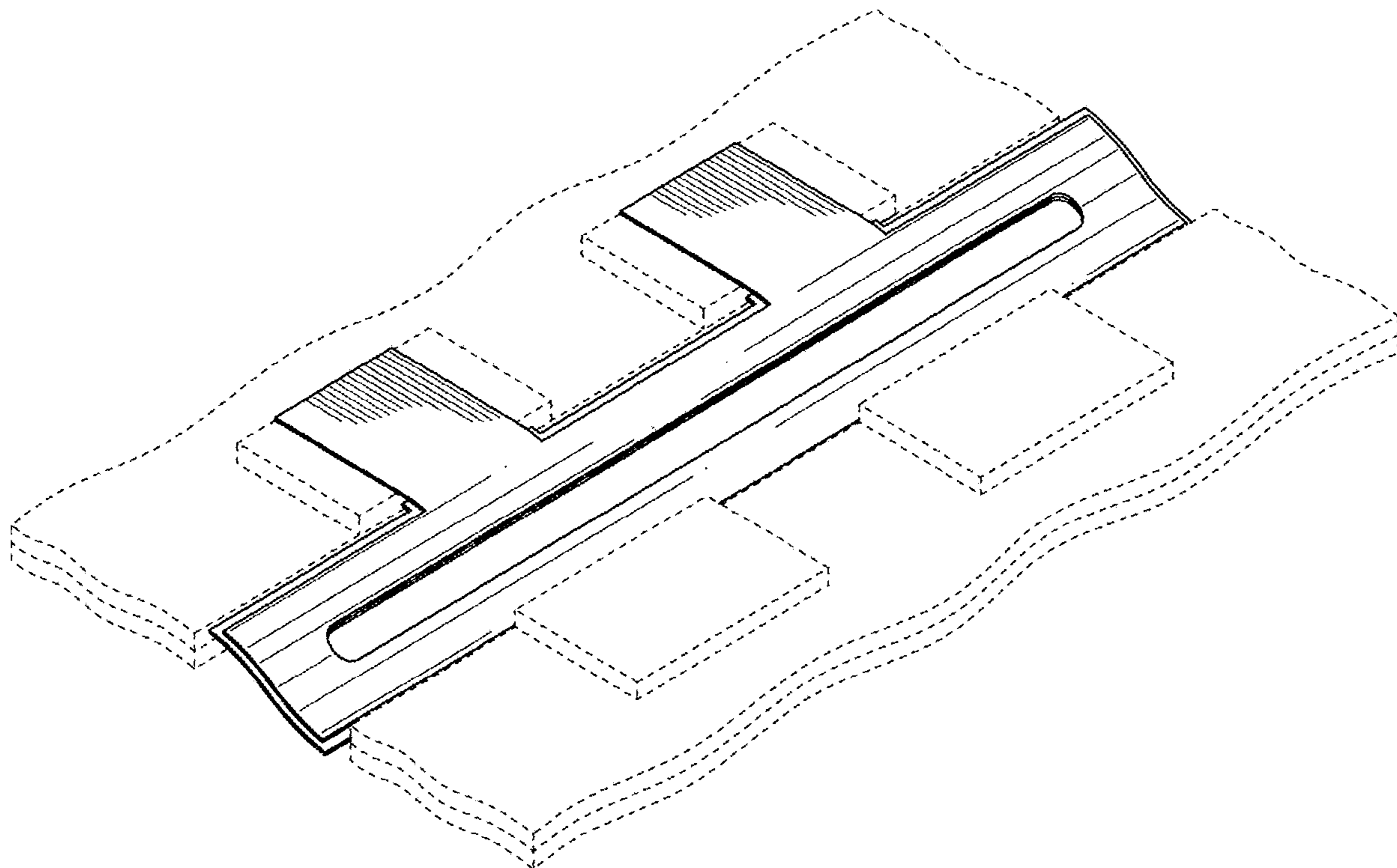
FIG. 5 is a rear elevation view thereof;

FIG. 6 is a right side elevation view thereof; and,

FIG. 7 is a left side elevation view thereof.

The broken line in the figure drawings is included for the purpose of illustrating environment and forms no part of the claimed design.

**1 Claim, 4 Drawing Sheets**



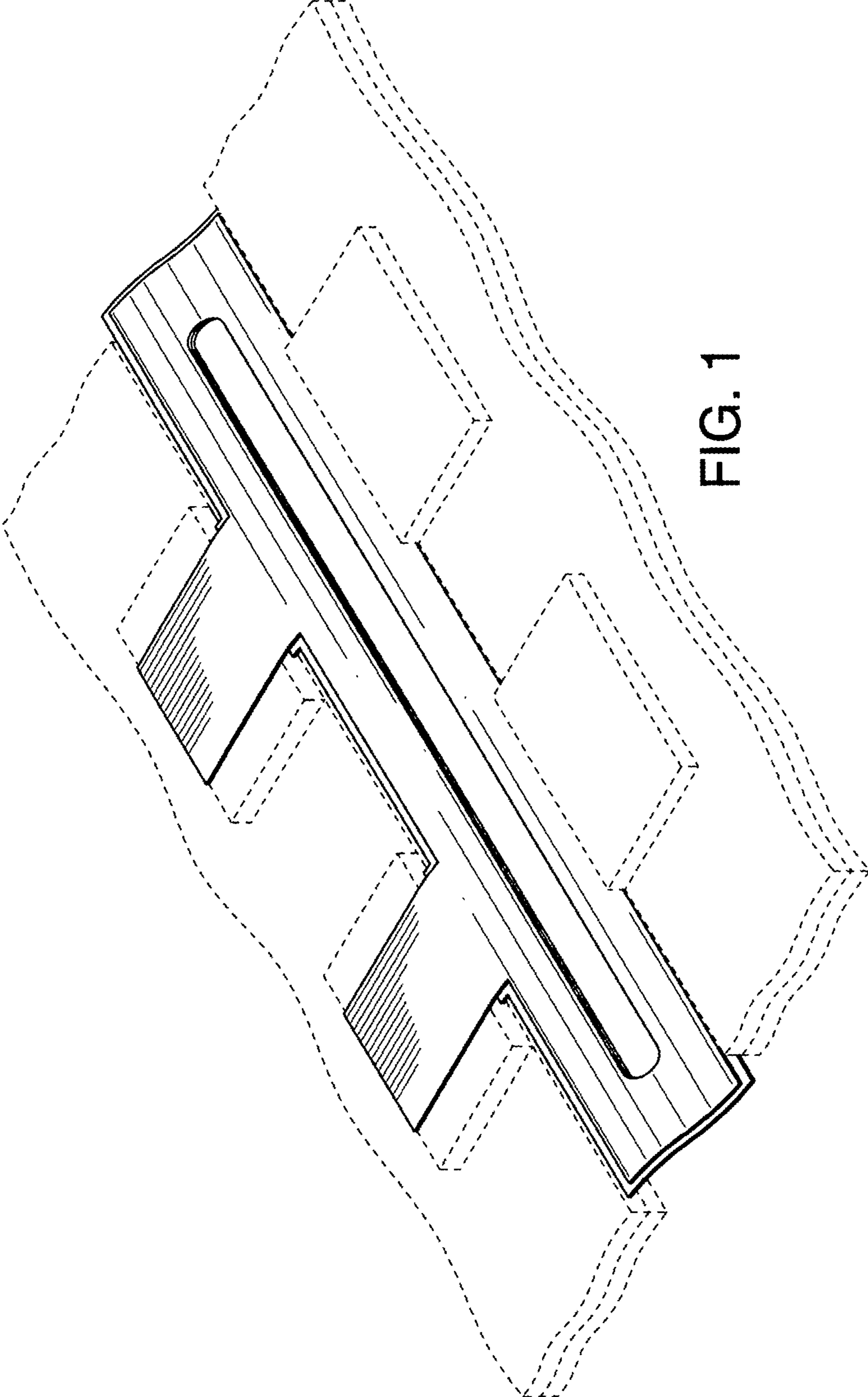


FIG. 1

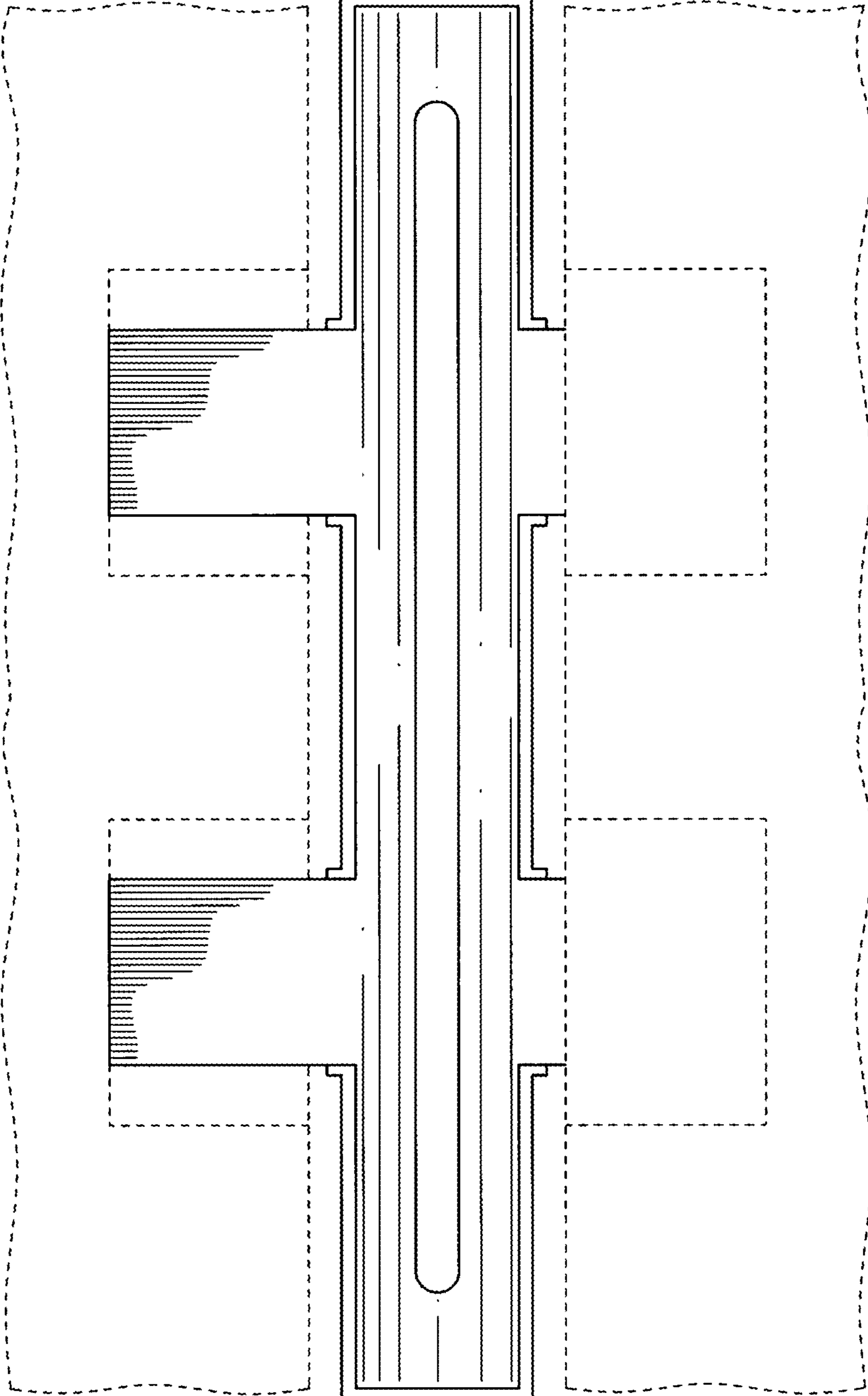


FIG. 2

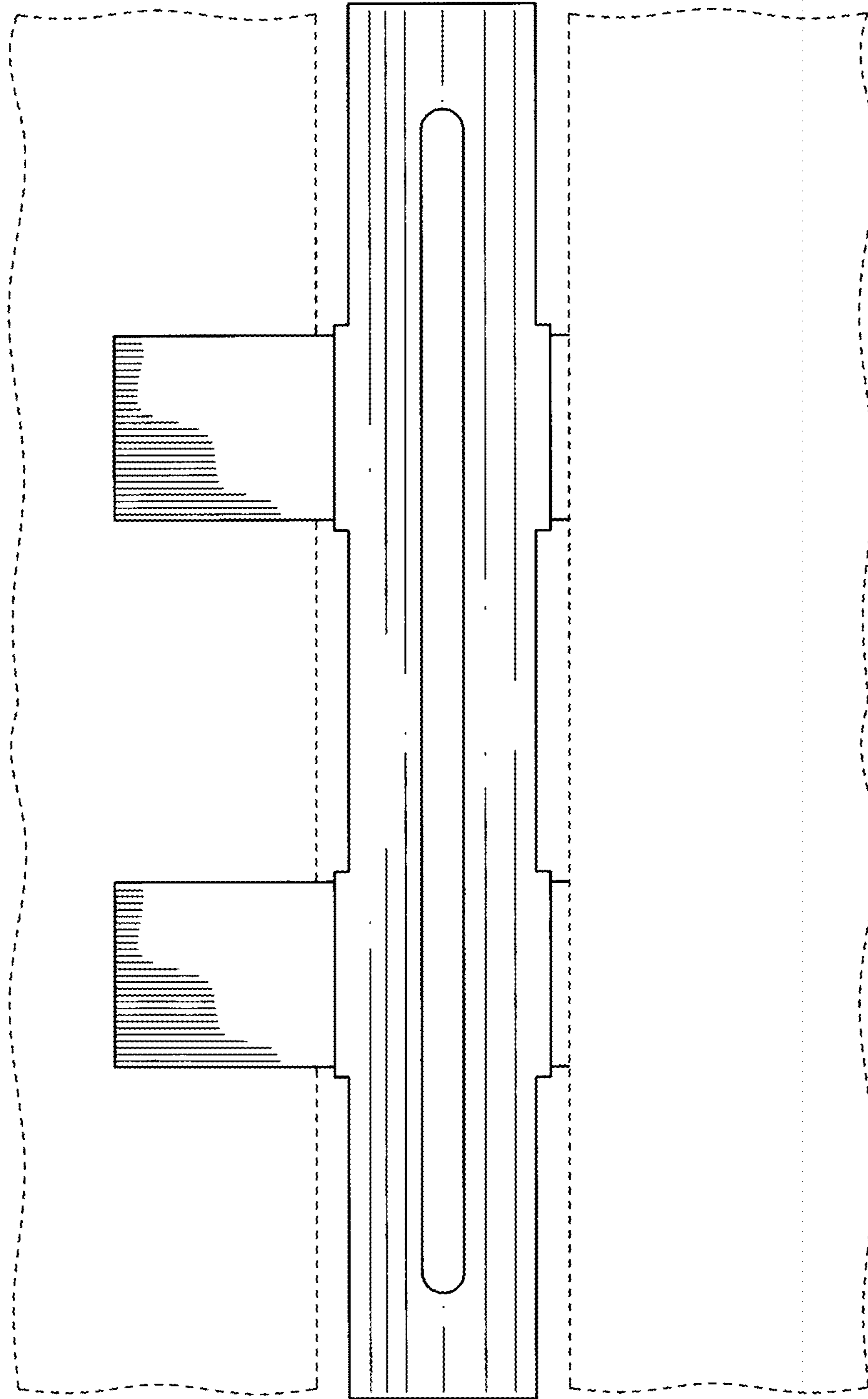


FIG. 3

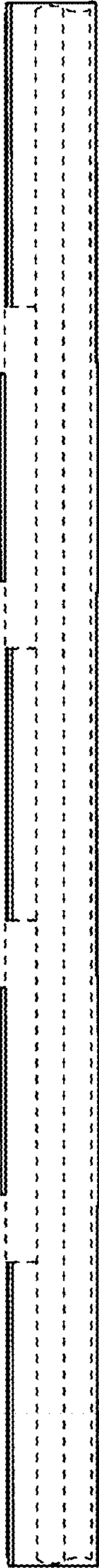


FIG. 4

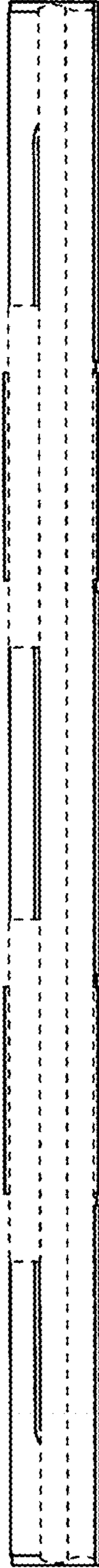


FIG. 5

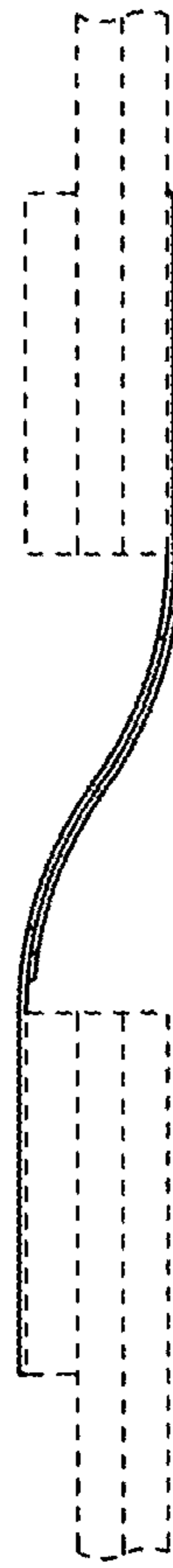


FIG. 6

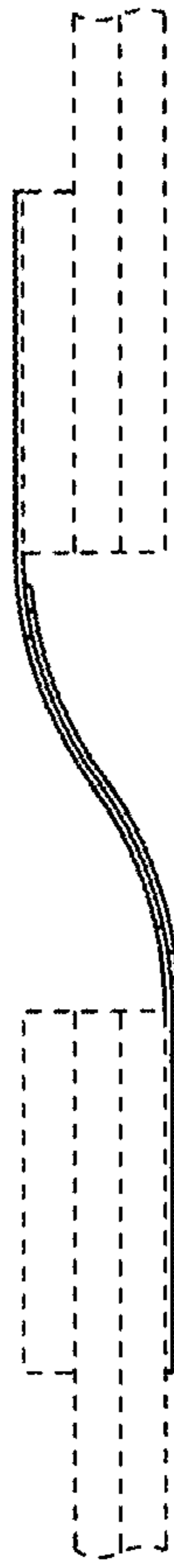


FIG. 7