



US00D888650S

(12) **United States Design Patent** (10) **Patent No.:** **US D888,650 S**
Yu (45) **Date of Patent:** **** Jun. 30, 2020**

(54) **CONSOLE**

(71) Applicant: **HONDA MOTOR CO., LTD.**, Tokyo (JP)

(72) Inventor: **Simon Yu**, Los Angeles, CA (US)

(73) Assignee: **HONDA MOTOR CO., LTD.**, Tokyo (JP)

(**) Term: **15 Years**

(21) Appl. No.: **29/633,306**

(22) Filed: **Jan. 12, 2018**

(51) **LOC (12) Cl.** **12-16**

(52) **U.S. Cl.**
USPC **D12/415**

(58) **Field of Classification Search**
USPC D12/415-420, 400, 195, 191, 106, 345,
D12/96, 99; D21/421; D7/619.1-625,
D7/701
CPC B60R 7/04; B60R 7/06; B60R 7/08; B60N
2/46
See application file for complete search history.

(56) **References Cited**

U.S. PATENT DOCUMENTS

D673,496 S *	1/2013	Kikuta	D12/415
D693,751 S *	11/2013	Ali	D12/192
D704,610 S *	5/2014	Mizuhata	D12/192
D711,810 S *	8/2014	Matsuo	D12/424
D711,811 S *	8/2014	Maruyama	D12/424
D721,996 S *	2/2015	Farcas	D12/192
D725,582 S *	3/2015	Kobari	D12/419
D725,583 S *	3/2015	Seki	D12/419
D727,231 S *	4/2015	Narita	D12/192
D764,387 S *	8/2016	Tanaka	D12/419
D765,017 S *	8/2016	Manzari	D12/419
D765,018 S *	8/2016	Sahs	D12/419
D766,811 S *	9/2016	Shouno	D12/419
D766,812 S *	9/2016	Kabata	D12/423
D770,361 S *	11/2016	Chan	D12/419

D770,968 S *	11/2016	Willis	D12/415
D781,210 S *	3/2017	Itou	D12/419
D786,758 S *	5/2017	Chang	D12/192
D788,020 S *	5/2017	Yaguchi	D12/415

(Continued)

FOREIGN PATENT DOCUMENTS

CN	206135552	*	4/2017	H02J 7/00
CN	109130991	*	1/2019	B60N 2/75

OTHER PUBLICATIONS

2017 Civic HB armrests, CivicX.com, Chupacabra519, Jun. 12, 2017, [online], [site visited Mar. 4, 2019]. <URL: https://www.civicx.com/threads/wtb-2017-civic-center-console-leather-armrest.12106/> (Year: 2017).*

(Continued)

Primary Examiner — T Chase Nelson
Assistant Examiner — Jonathan J. Han
(74) *Attorney, Agent, or Firm* — Arent Fox LLP

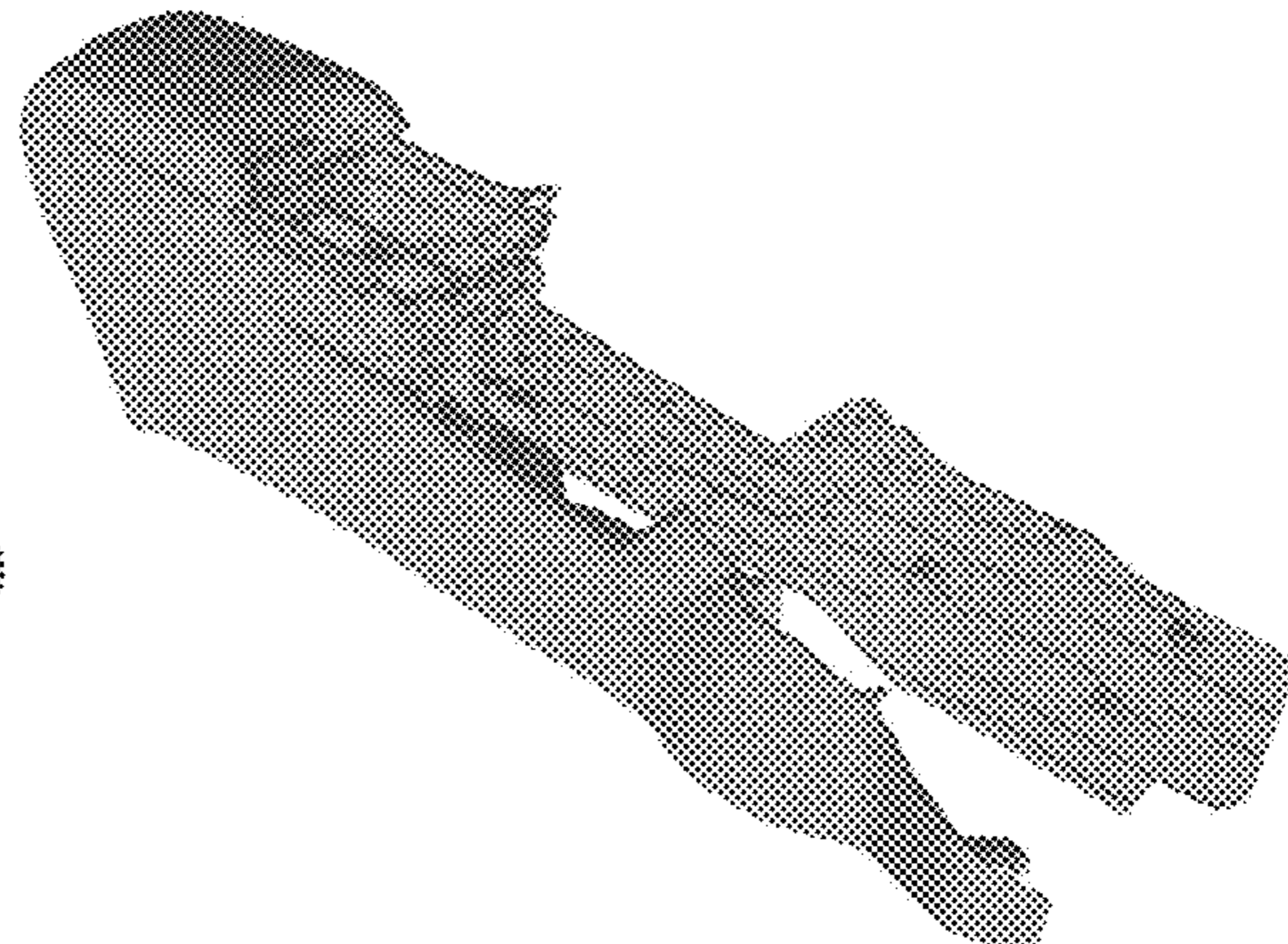
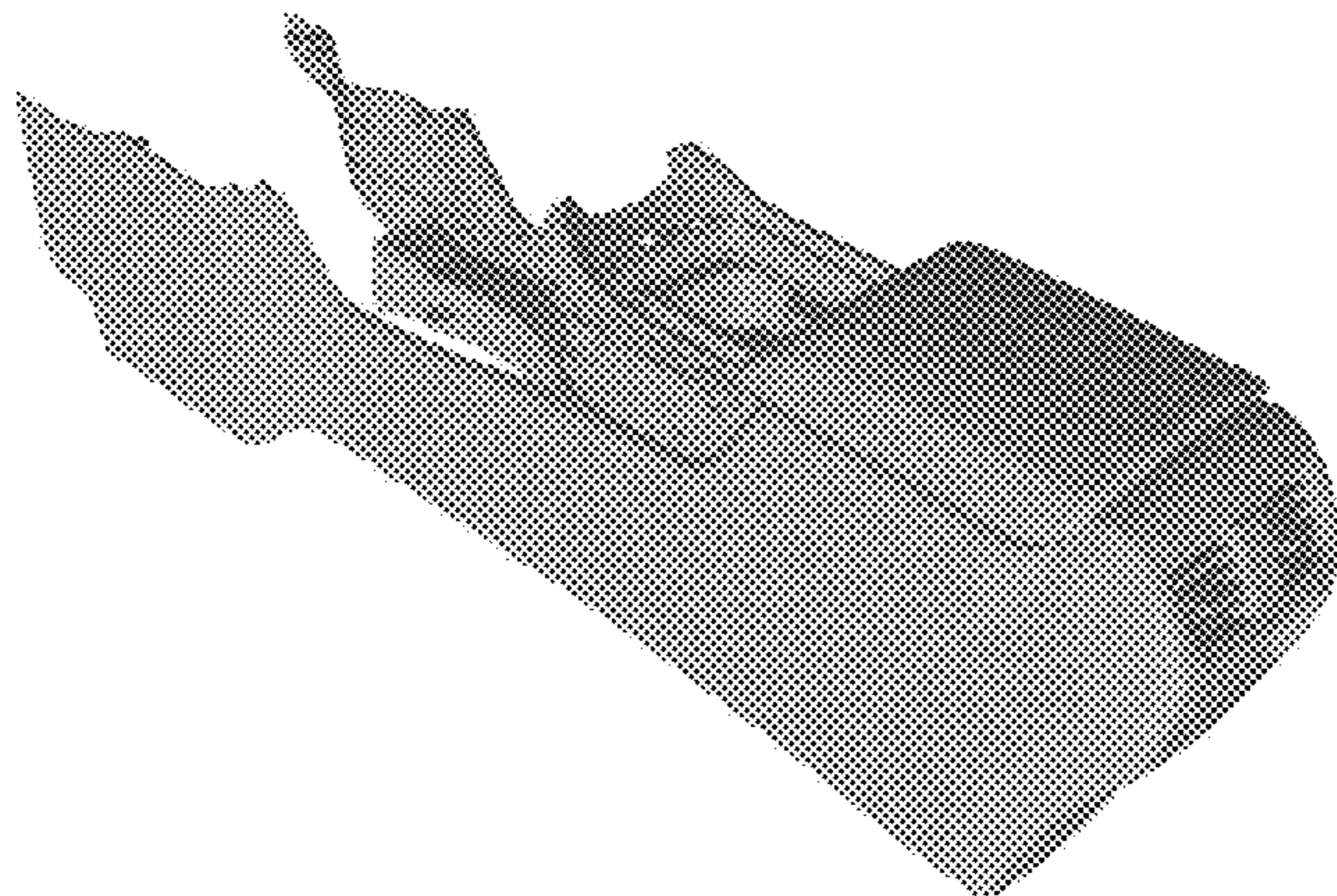
(57) **CLAIM**

The ornamental design for a console, as shown and described.

DESCRIPTION

FIG. 1 is a front top left perspective view of a console showing my new design;
FIG. 2 is a rear top left perspective view of the design shown in FIG. 1;
FIG. 3 is a rear top right perspective view of the design shown in FIG. 1;
FIG. 4 is a front view of the design shown in FIG. 1;
FIG. 5 is a rear view of the design shown in FIG. 1;
FIG. 6 is a left side view of the design shown in FIG. 1;
FIG. 7 is a right side view of the design shown in FIG. 1; and,
FIG. 8 is a top view of the design shown in FIG. 1.

1 Claim, 8 Drawing Sheets



(56)

References Cited

U.S. PATENT DOCUMENTS

D793,313	S	*	8/2017	Zimmermann	D12/192
D803,120	S	*	11/2017	Boas	D12/192
D808,873	S	*	1/2018	Joyce	D12/192
D809,443	S	*	2/2018	Walker	D12/192
D824,306	S	*	7/2018	Joyce	D12/192
D824,838	S	*	8/2018	Takamura	D12/419
D827,549	S	*	9/2018	Igarashi	D12/419
D828,259	S	*	9/2018	Takagi	D12/192
D832,187	S	*	10/2018	Buffery	D12/419
D835,567	S	*	12/2018	Gaudreau	D12/415
D836,059	S	*	12/2018	Takagi	D12/415
D836,060	S	*	12/2018	Takagi	D12/415
D841,544	S	*	2/2019	Buffery	D12/192

OTHER PUBLICATIONS

What's inside the Honda Civic?, RossiFonda.com, By Product Expert, Friday, Aug. 11, 2017 at 12:00 pm, [online], [site visited Mar. 4, 2019]. <URL: <http://www.rossihonda.com/blog/2017-honda-civic-interior-features/>> (Year: 2017).*

Middle Interior Console 2004 Honda Civic Lx, AirFreshener.club, [online], [site visited Mar. 4, 2019]. <URL: <https://airfreshener.club/quotes/middle-interior-console-2004-honda-civic-lx.html>> (Year: 2019).*

* cited by examiner

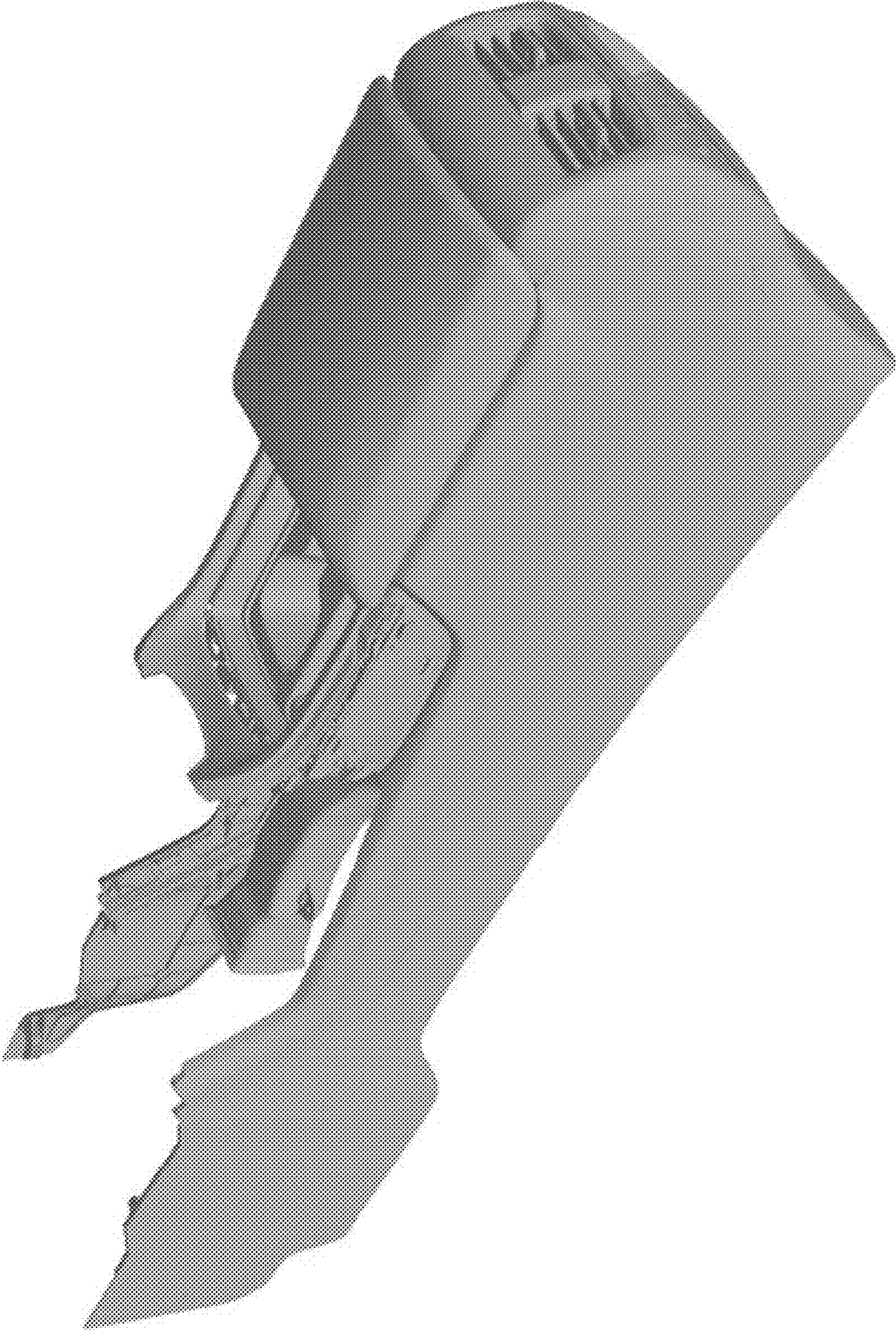


FIG. 1

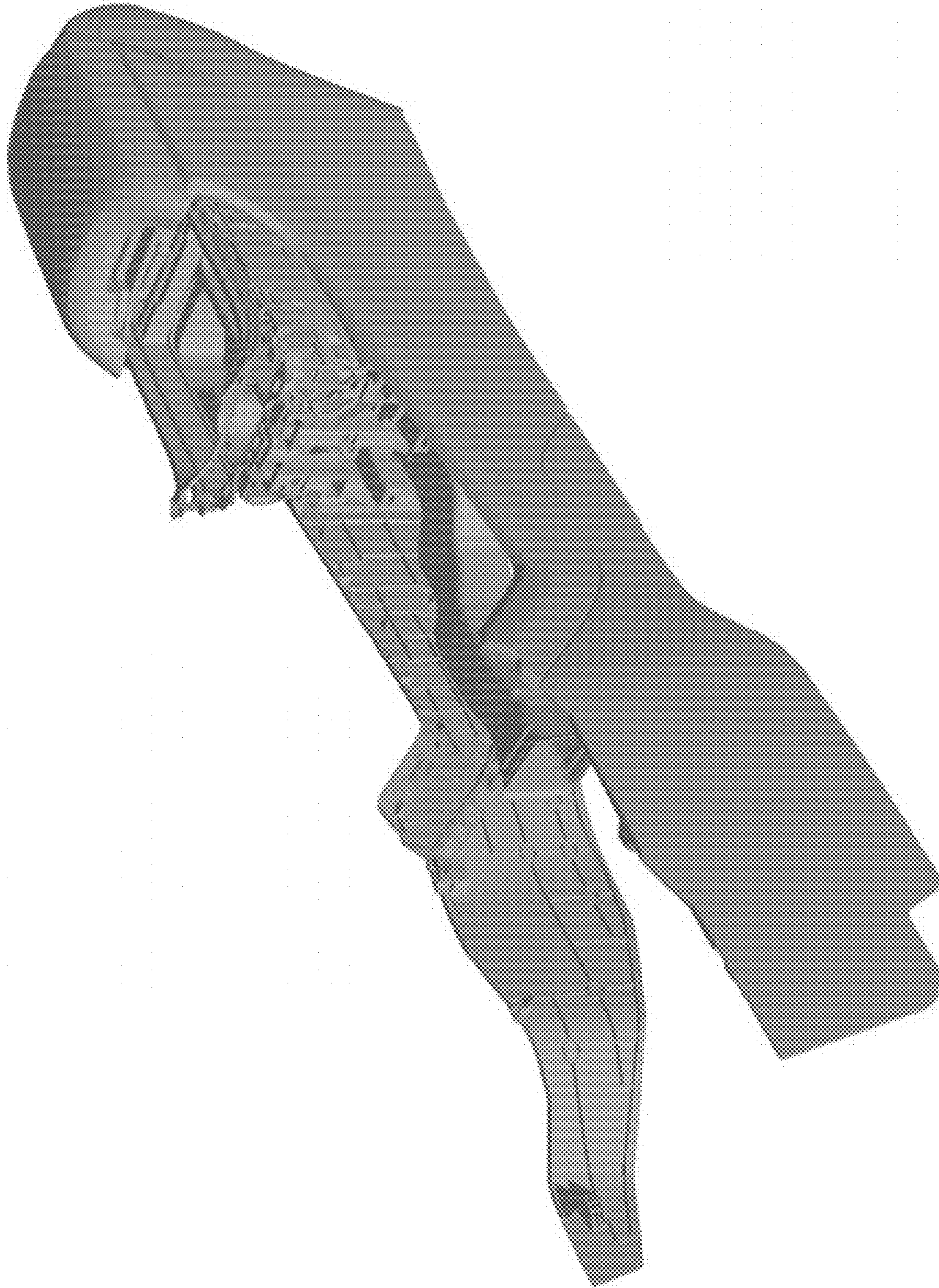


FIG. 2

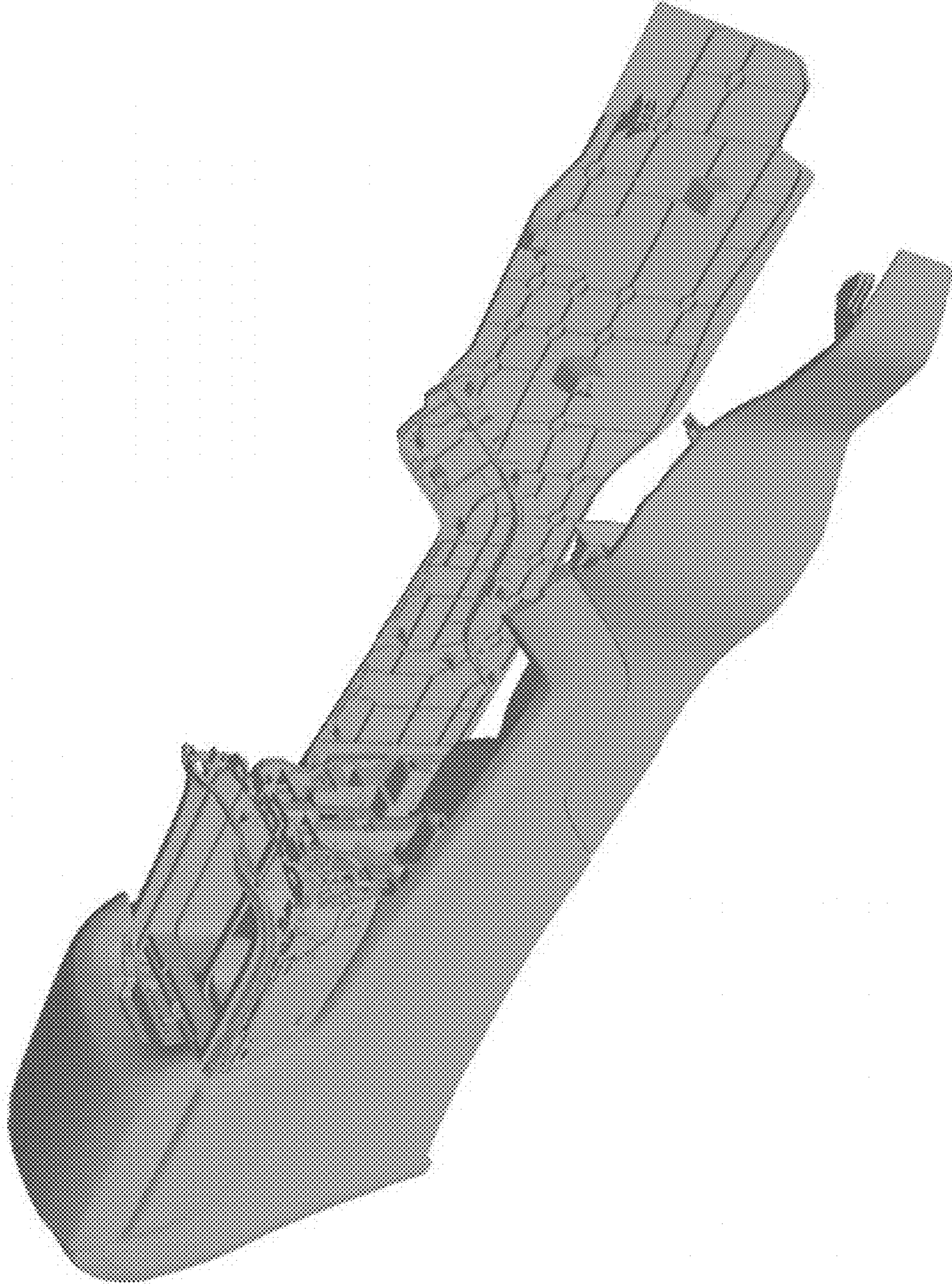


FIG. 3

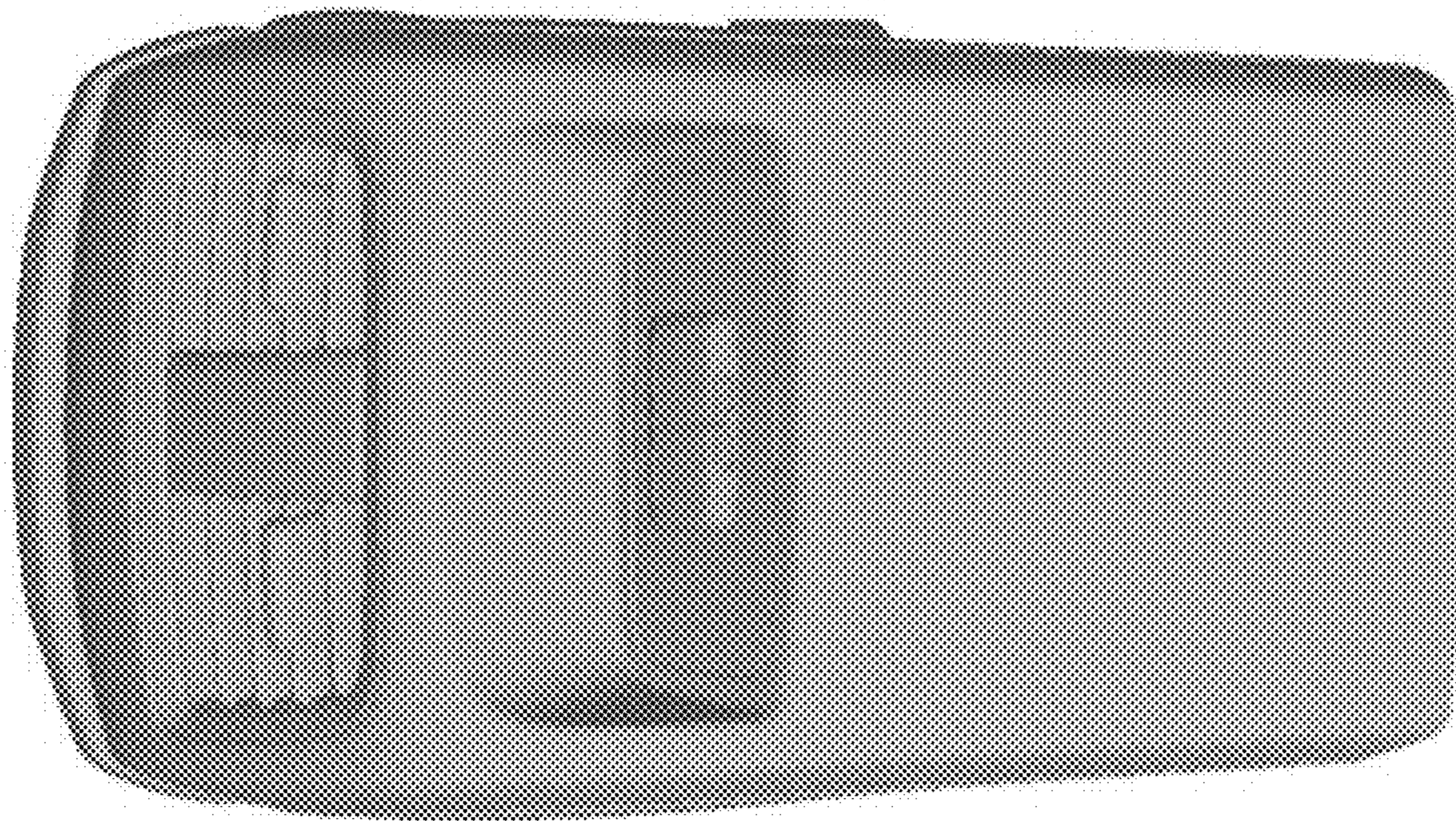


FIG. 4

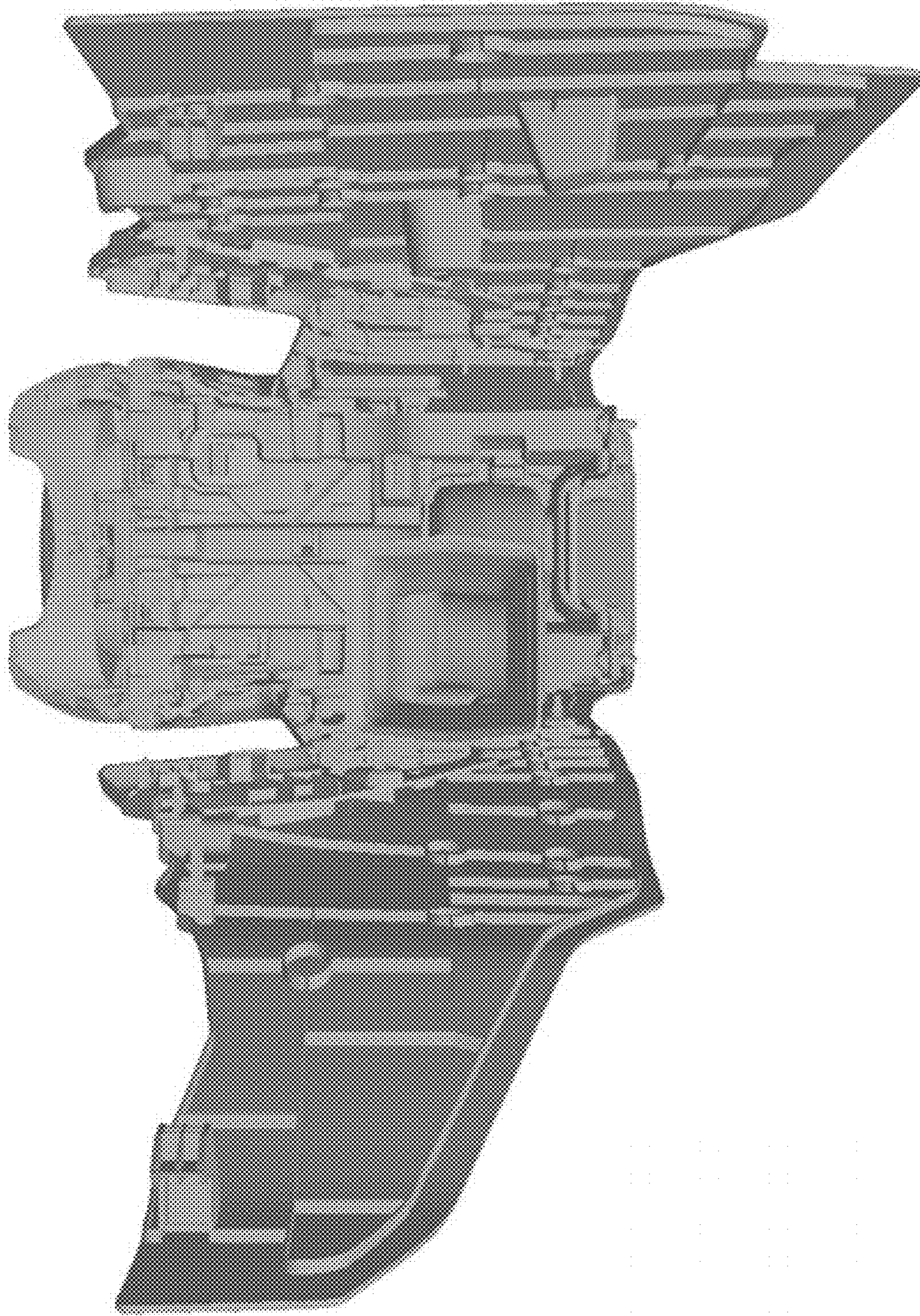


FIG. 5

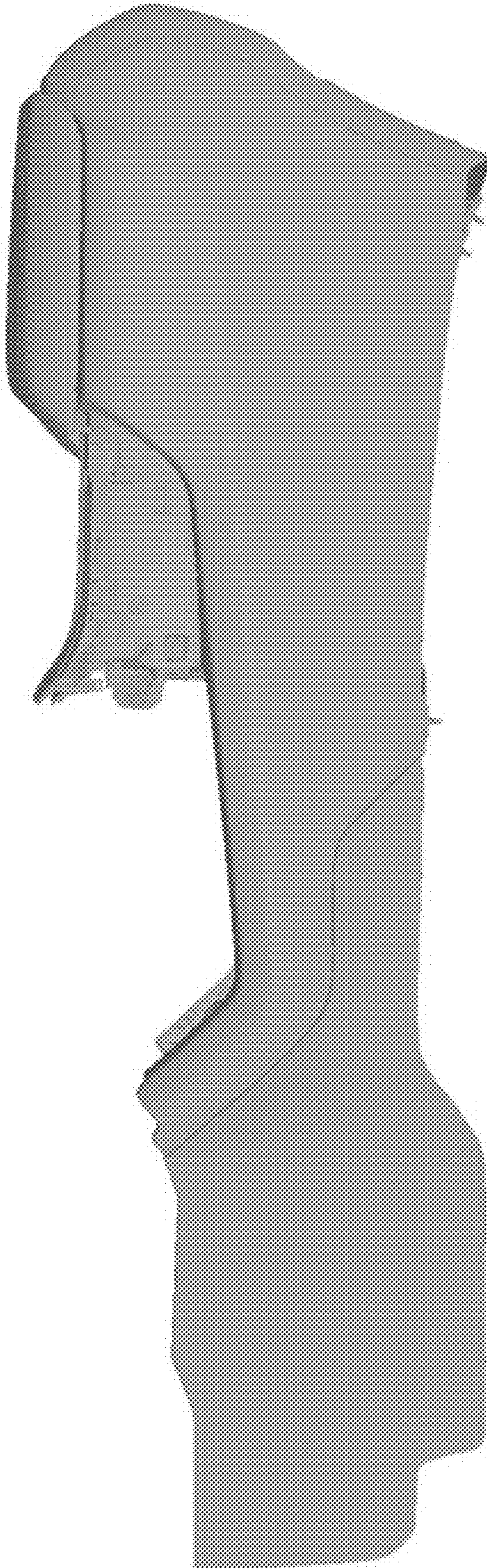


FIG. 6

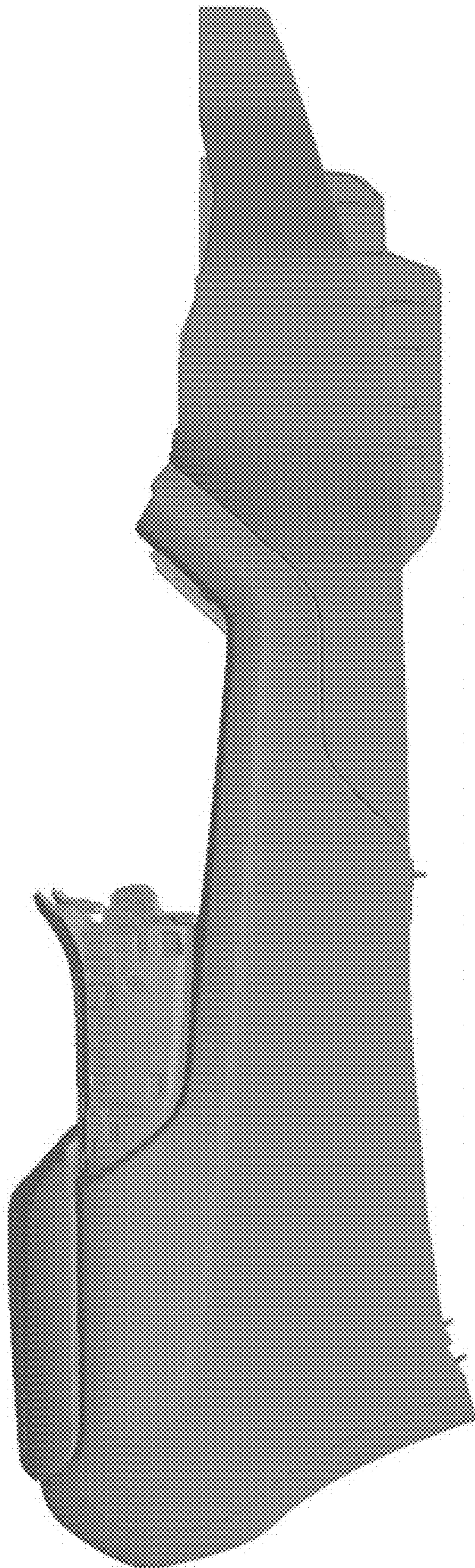


FIG. 7

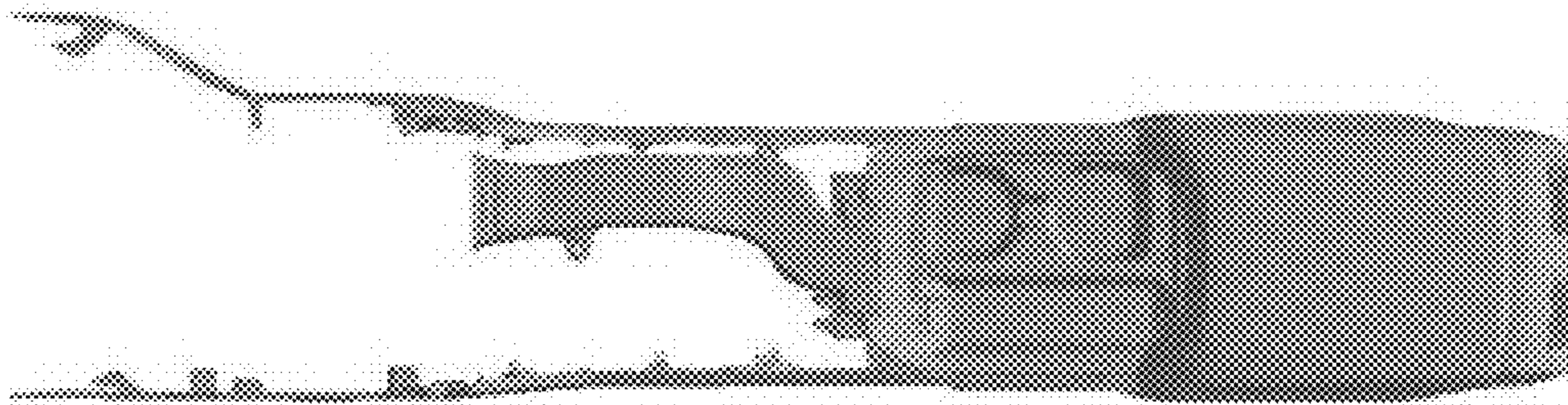


FIG. 8