



US00D888648S

(12) **United States Design Patent**
Stoneburner et al.

(10) **Patent No.:** **US D888,648 S**
(45) **Date of Patent:** **** Jun. 30, 2020**

(54) **TOWER FOR VEHICLE RACK**

- (71) Applicant: **Yakima Products, Inc.**, Lake Oswego, OR (US)
- (72) Inventors: **Warren E. Stoneburner**, Portland, OR (US); **Ashley Hoch**, Portland, OR (US); **Jason Attfield Sagen**, Portland, OR (US)
- (73) Assignee: **Yakima Products, Inc.**, Lake Oswego, OR (US)
- (**) Term: **15 Years**

- (21) Appl. No.: **29/649,470**
- (22) Filed: **May 30, 2018**
- (51) **LOC (12) Cl.** **12-16**
- (52) **U.S. Cl.**
USPC **D12/406**

- (58) **Field of Classification Search**
USPC D12/406, 412, 413, 414, 414.1; D6/552; D3/304-306; 293/37.1, 3, 100; 224/309, 224/310, 315, 316, 323-329, 400; 280/760-762, 848, 727, 769
CPC .. B60R 9/058; B60R 9/00; B60R 9/02; B60R 9/04; B60R 9/08; B60R 9/042; B60R 9/0423; B60R 9/0426; B60R 9/045; B60R 9/048; B60R 9/0485; B60R 9/05; B60R 9/052; B60R 9/055; B60R 9/06; B60R 9/10; B60R 9/12
See application file for complete search history.

(56) **References Cited**

U.S. PATENT DOCUMENTS

- D216,432 S * 1/1970 Grosz D34/31
- D273,187 S * 3/1984 Brorsson D12/414
- D294,137 S * 2/1988 Robson D12/412
- D294,340 S * 2/1988 Robson D12/414
- 4,934,572 A 6/1990 Bowman et al.

(Continued)

FOREIGN PATENT DOCUMENTS

DE 3220417 * 8/1983 B60R 9/042

OTHER PUBLICATIONS

OutPost HD (Set of 4), Yakima.com, [online], [site visited Sep. 23, 2019]. <URL: <https://www.yakima.com/outpost-hd>> (Year: 2019).*
(Continued)

Primary Examiner — T Chase Nelson
Assistant Examiner — Jonathan J. Han
(74) *Attorney, Agent, or Firm* — Kolisch Hartwell, P.C.

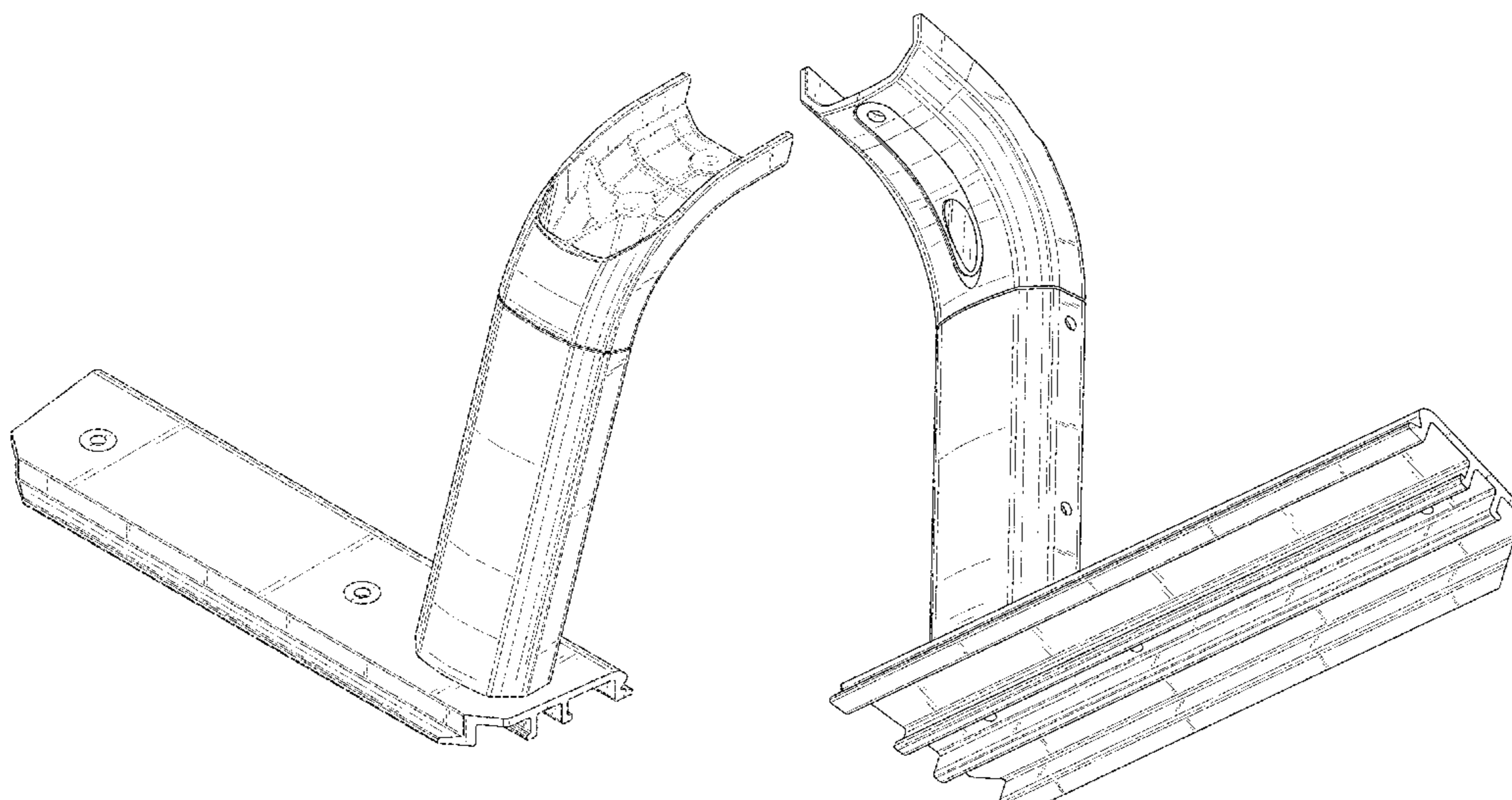
(57) **CLAIM**

The ornamental design for a tower for vehicle rack, as shown and described.

DESCRIPTION

FIG. 1 is a rear, top, and left side perspective view of a tower for vehicle rack showing the new design; FIG. 2 is a front, bottom, and right side perspective view thereof; FIG. 3 is a right side elevation view thereof; FIG. 4 is a left side elevation view thereof; FIG. 5 is a rear elevation view thereof; FIG. 6 is a front elevation view thereof; FIG. 7 is a top plan view thereof; FIG. 8 is a bottom plan view thereof; FIG. 9 is a rear, top, and left side perspective view of the tower for vehicle rack and a mirror image counterpart shown in use on a vehicle; and, FIG. 10 is a rear, top, and right left side perspective view of a pair of towers the tower for vehicle rack and a mirror image counterpart shown in use on a vehicle showing the new design.
The broken lines and environmental structure they depict form no part of the claimed design.

1 Claim, 10 Drawing Sheets



(56)

References Cited

U.S. PATENT DOCUMENTS

5,000,480 A * 3/1991 Straka B60Q 1/2611
280/756

5,092,504 A 3/1992 Hannes et al.

5,118,156 A 6/1992 Richard

5,119,980 A * 6/1992 Grim B60R 9/12
224/315

5,143,415 A 9/1992 Boudah

5,228,739 A 7/1993 Love

5,261,719 A 11/1993 Tucker

5,310,238 A 5/1994 Wheatley

5,316,190 A 5/1994 Bullock

5,393,114 A 2/1995 Christensen

5,431,472 A 7/1995 Coffland

5,494,327 A 2/1996 Derecktor

5,527,024 A 6/1996 Dysktra

5,540,475 A 7/1996 Kersting et al.

D377,163 S * 1/1997 Davis D12/408

5,611,472 A 3/1997 Miller

D406,095 S * 2/1999 Denny D12/414

5,975,618 A 11/1999 Rippberger

6,059,159 A 5/2000 Fisher

D434,364 S * 11/2000 Bauer D12/412

6,179,181 B1 1/2001 Johnson et al.

D454,328 S * 3/2002 Cornelius D12/404

6,425,509 B1 * 7/2002 Dean B60R 9/048
211/20

6,431,423 B1 * 8/2002 Allen B60R 9/048
224/324

6,561,556 B2 5/2003 Fuchs

D481,003 S * 10/2003 Bauer D12/412

6,722,541 B1 4/2004 Aftanas et al.

6,834,786 B2 12/2004 Hansen

6,971,563 B2 12/2005 Levi

7,014,236 B2 3/2006 Kerns

D521,852 S * 5/2006 Hall D8/354

7,296,837 B2 11/2007 Neidziela et al.

7,419,075 B2 9/2008 Green

7,464,977 B1 12/2008 Price

7,497,493 B1 3/2009 Thiessen et al.

7,530,614 B2 5/2009 Nichols

D624,005 S 9/2010 Winner et al.

7,841,637 B1 11/2010 Jones et al.

7,878,743 B2 2/2011 Aftanas

D633,427 S * 3/2011 Marr, Jr. B60R 9/00
D12/223

8,157,229 B2 4/2012 Palermo

D684,105 S * 6/2013 Foster D12/412

D692,368 S * 10/2013 Foster D12/412

D695,206 S * 12/2013 Eriksson D12/414

8,668,125 B2 3/2014 Williams

D702,620 S * 4/2014 Read D12/223

D717,631 S * 11/2014 Elbl D6/550

D719,500 S * 12/2014 Foster D12/412

D719,501 S * 12/2014 Foster D12/412

D744,379 S * 12/2015 Penner D12/106

9,248,784 B2 2/2016 Kraeuter et al.

D834,497 S * 11/2018 Schwartz D12/414

D840,324 S * 2/2019 Adler D12/412

D845,869 S * 4/2019 Wymore D12/222

D850,353 S * 6/2019 Badillo D12/223

D856,628 S * 8/2019 Molnar D34/35

2001/0040139 A1 * 11/2001 Dean B60R 9/048
211/17

2004/0134953 A1 7/2004 Perez

2008/0100075 A1 5/2008 Derecktor

2008/0101883 A1 5/2008 Derecktor

2008/0152452 A1 6/2008 Green

2009/0026784 A1 1/2009 Green

2010/0072237 A1 3/2010 Green

2010/0288808 A1 11/2010 Marr, Jr.

2011/0139840 A1 6/2011 Kraeuter et al.

2014/0117062 A1 5/2014 Kraeuter et al.

OTHER PUBLICATIONS

OverHaul HD (Set of 4), Yakima.com, [online], [site visited Sep. 23, 2019]. <URL: <https://www.yakima.com/overhaul-hd>> (Year: 2019).*

Yakima 1A Raingutter Towers—Set of 4, REI.com, [online], [site visited Sep. 23, 2019]. <URL: <https://www.rei.com/product/490005/yakima-1a-raingutter-towers-set-of-4>> (Year: 2019).*

Thule, 422 Xsporter Product and Features, Jun. 15, 2008, retrieved from Internet: http://web.archive.org/web/20080615140107/http://www.thuleracks.com/product.asp?dept_id=75&sku=422, retrieved on Sep. 23, 2013, 1 page.

Prorac Systems Inc., Tonneau Racks, Mar. 3, 2009, retrieved from Internet: <http://web.archive.org/web/20090330193648/http://www.prorac.com/softtonneau.php>, retrieved on Sep. 23, 2013, 2 pages.

Thule, Rack Systems, Apr. 16, 2009, retrieved from internet: http://web.archive.org/web/20090416182828/http://www.thuleracks.com/carrier_multipurpose2.asp?location=5; retrieved on Sep. 23, 2013, 1 page.

De-Sta-Co, De-sta-co Clamps Products, Jun. 12, 2009, retrieved from Internet: http://web.archive.org/web/20090612013130/http://www.destaco.com/products.asp?loc=USA&lang=ENG&products=Clamps&Category_1= Straight+Line+Action+Clamps, retrieved on Sep. 23, 2013, 16 pages.

Inno, Base System, Apr. 15, 2010, retrieved from internet: <http://web.archive.org/web/20100415173639/http://www.innoracks.com/product/base/>, retrieved on Sep. 23, 2013, 3 pages.

Tracrac, TracONE Overview and Features, Jul. 18, 2010, retrieved from Internet: <http://web.archive.org/web/20100718200146/http://www.tracrac.com/pick-up-trucks/tracone>, retrieved on Sep. 23, 2013, 1 page.

* cited by examiner

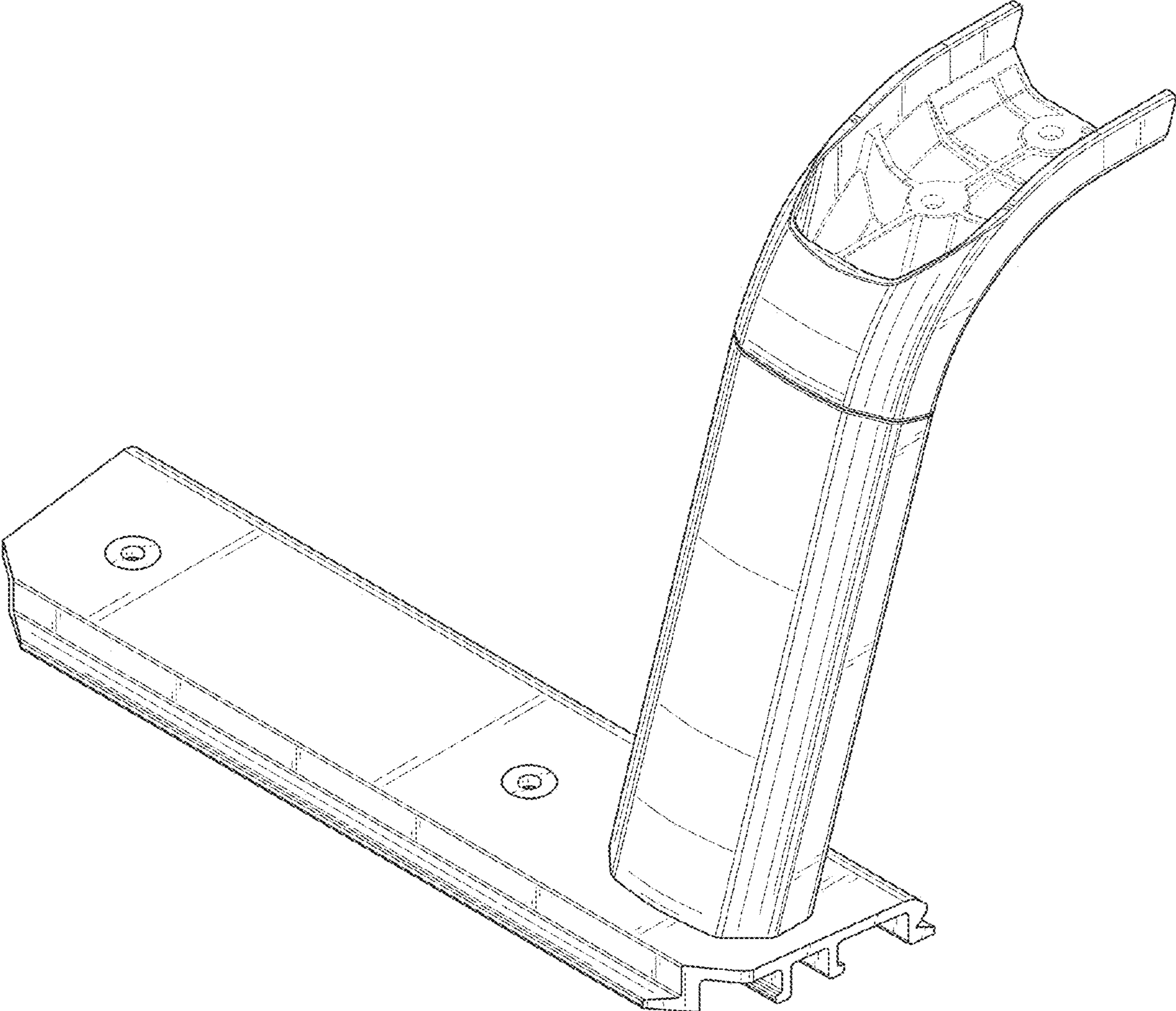


FIG. 1

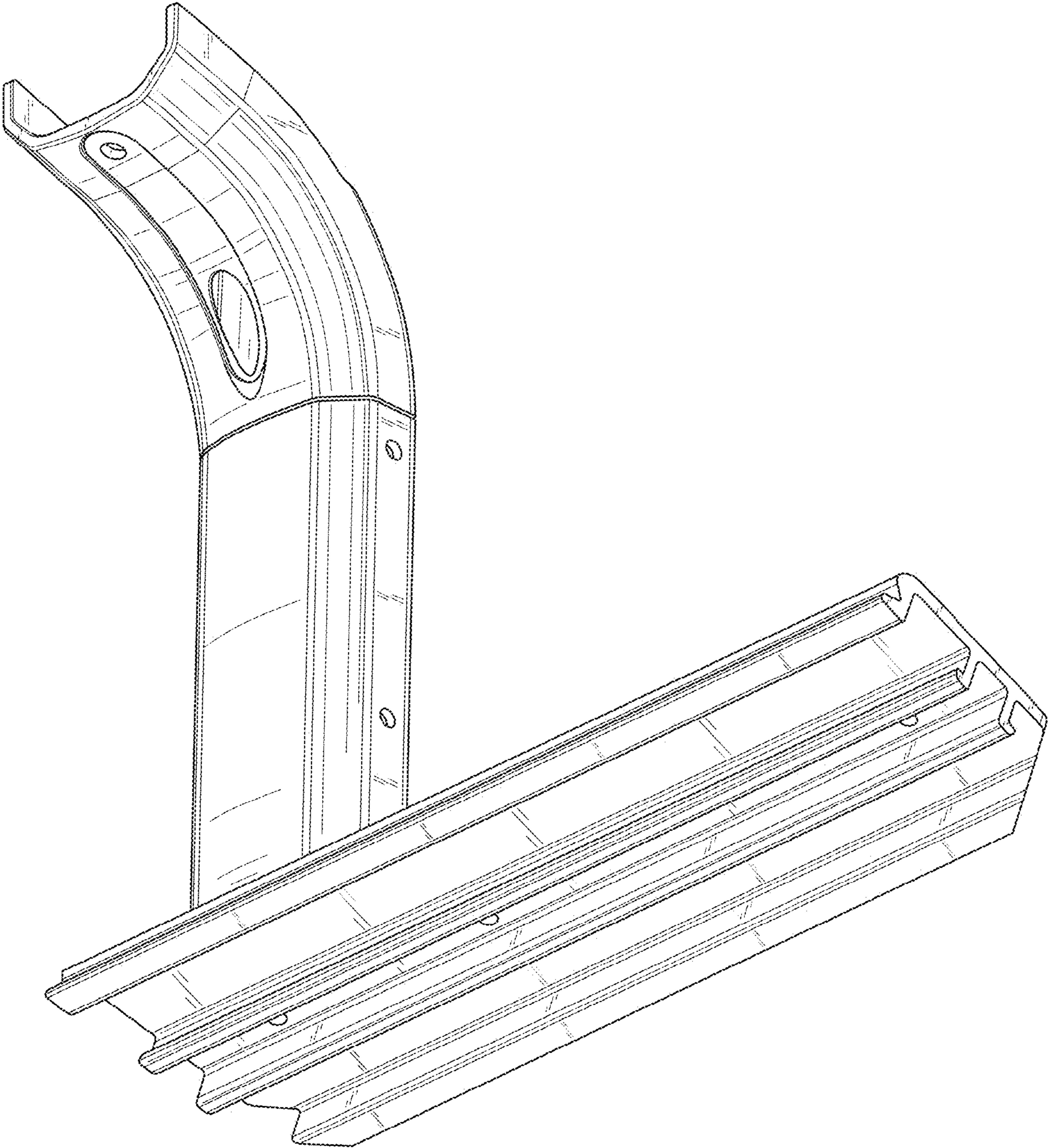


FIG. 2

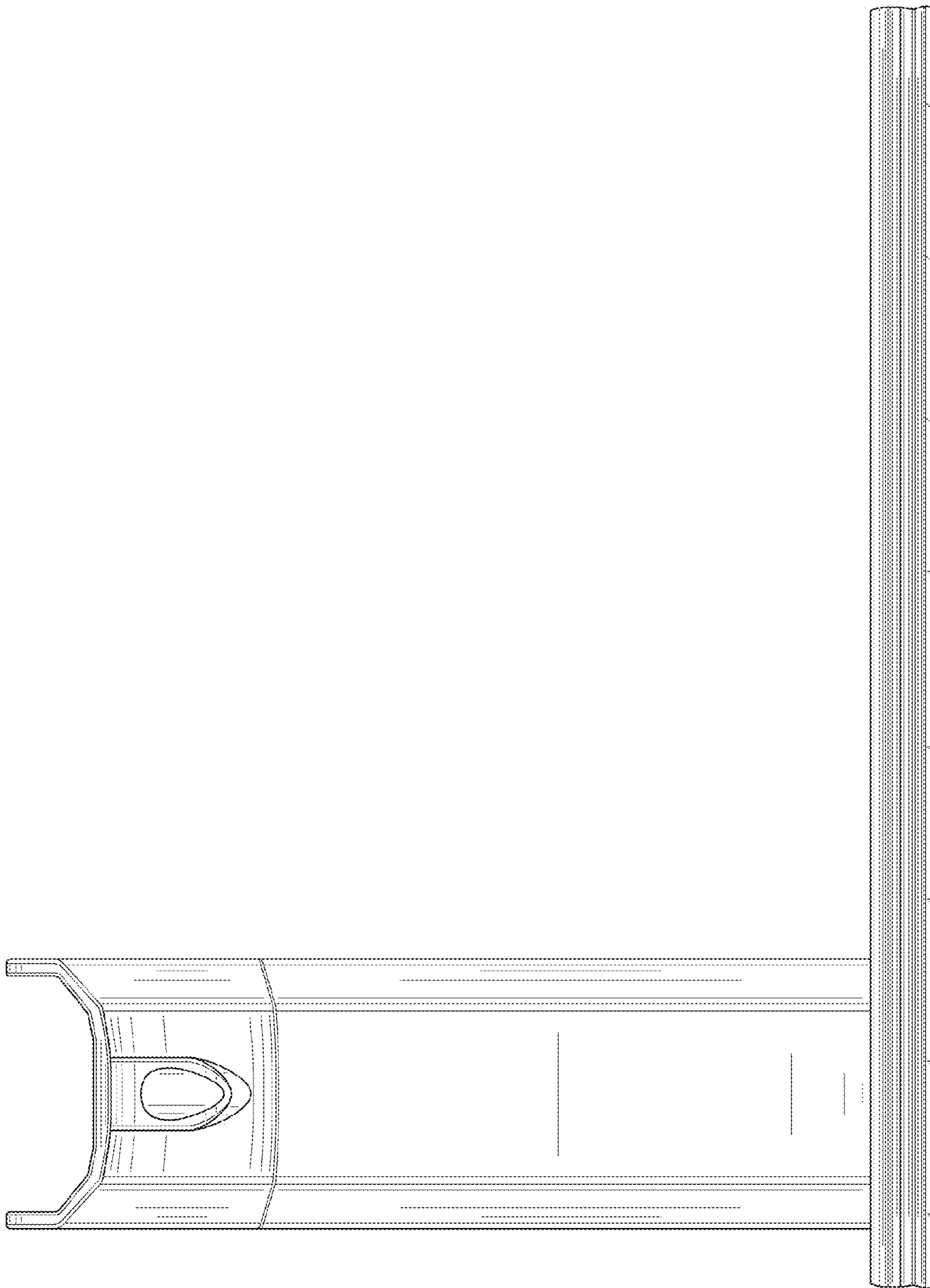


FIG. 3

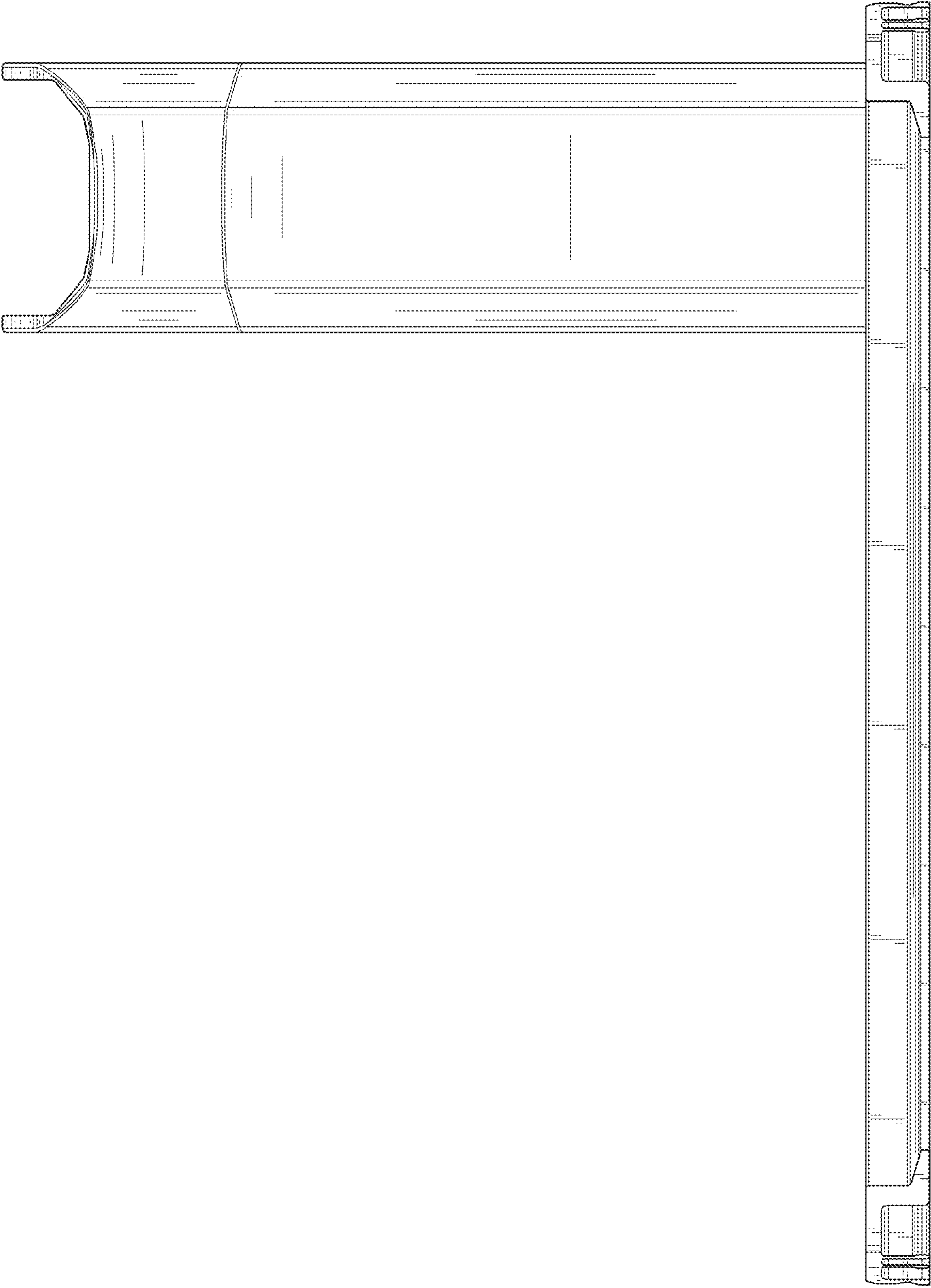


FIG. 4

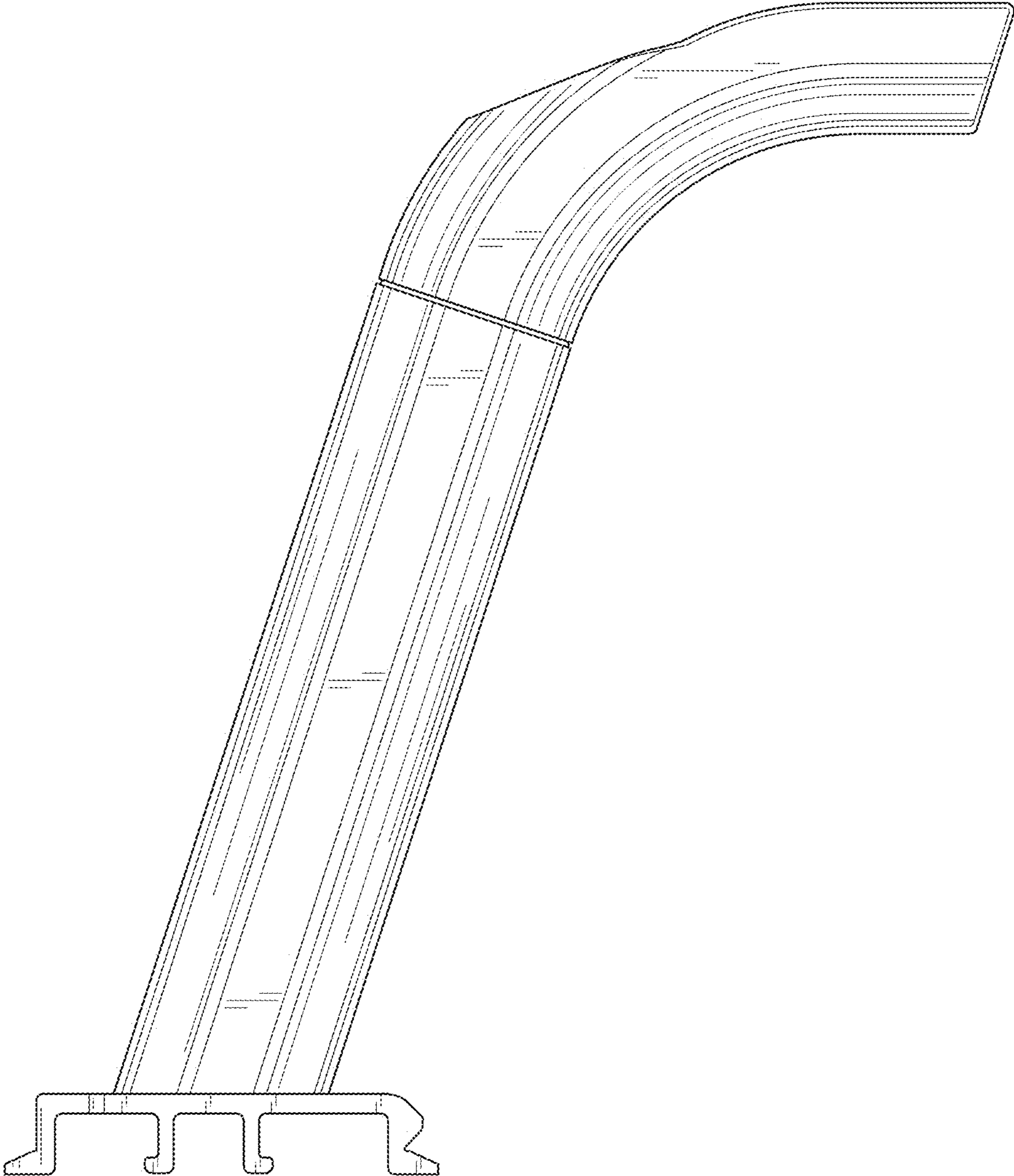


FIG. 5

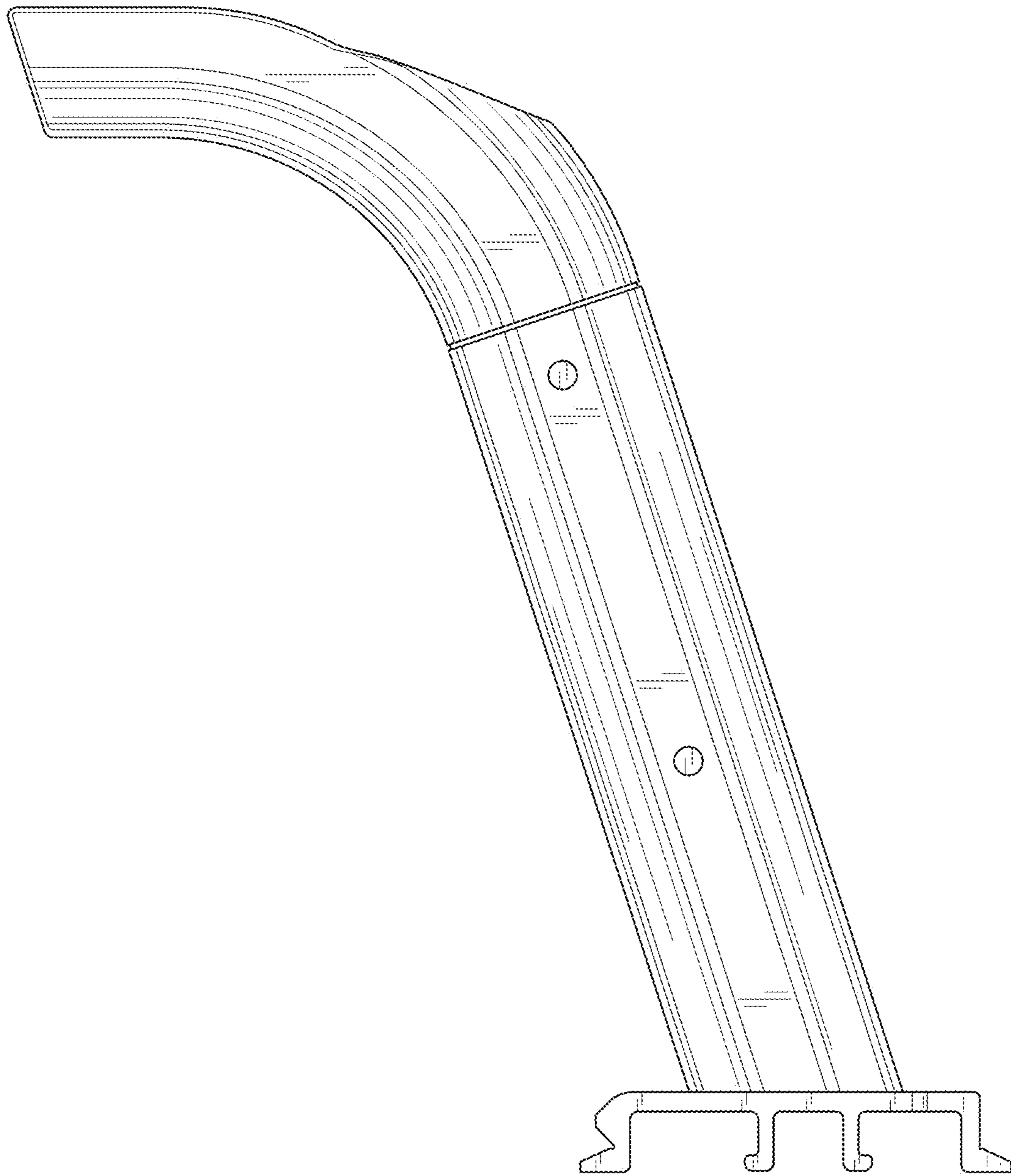


FIG. 6

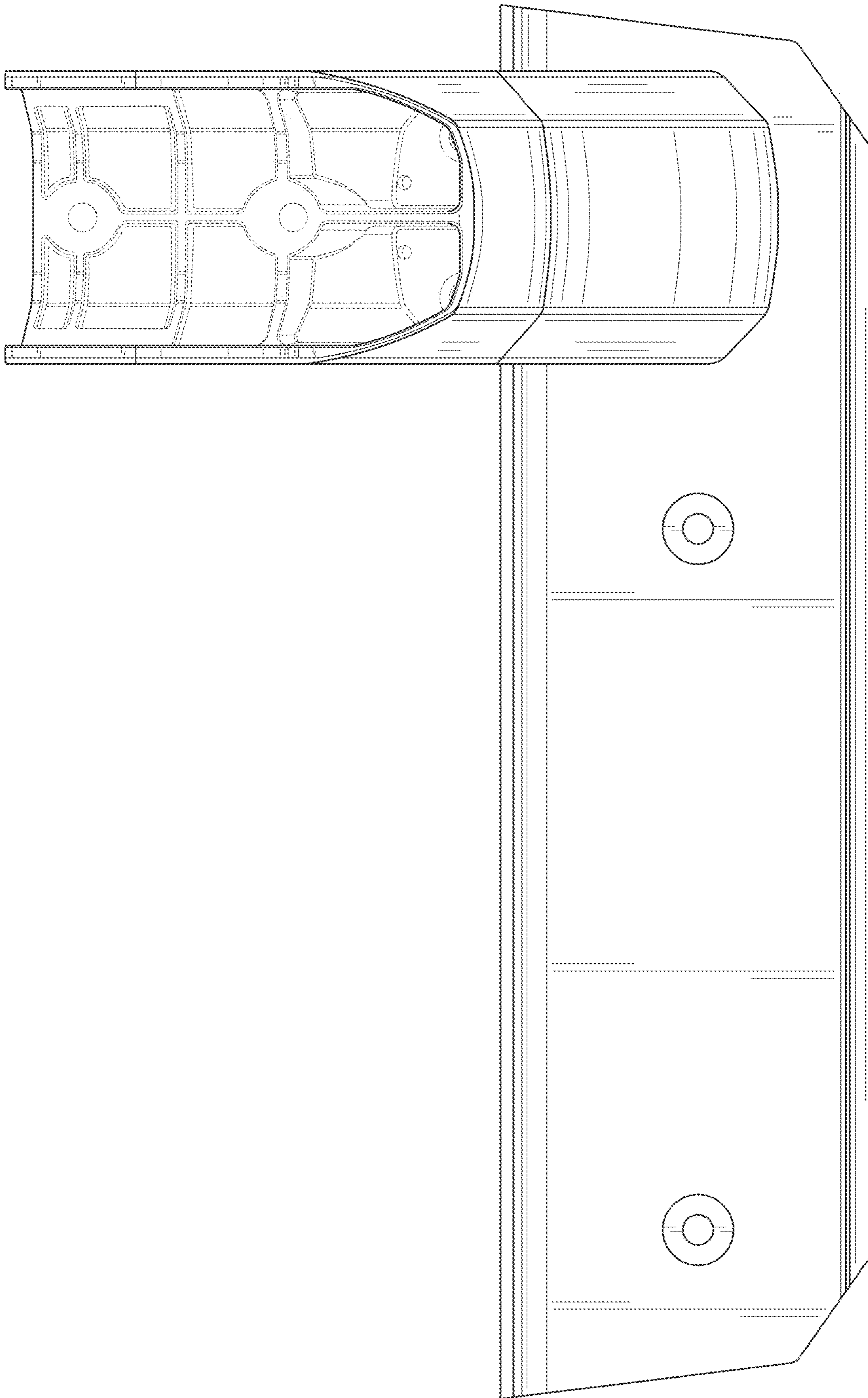


FIG. 7

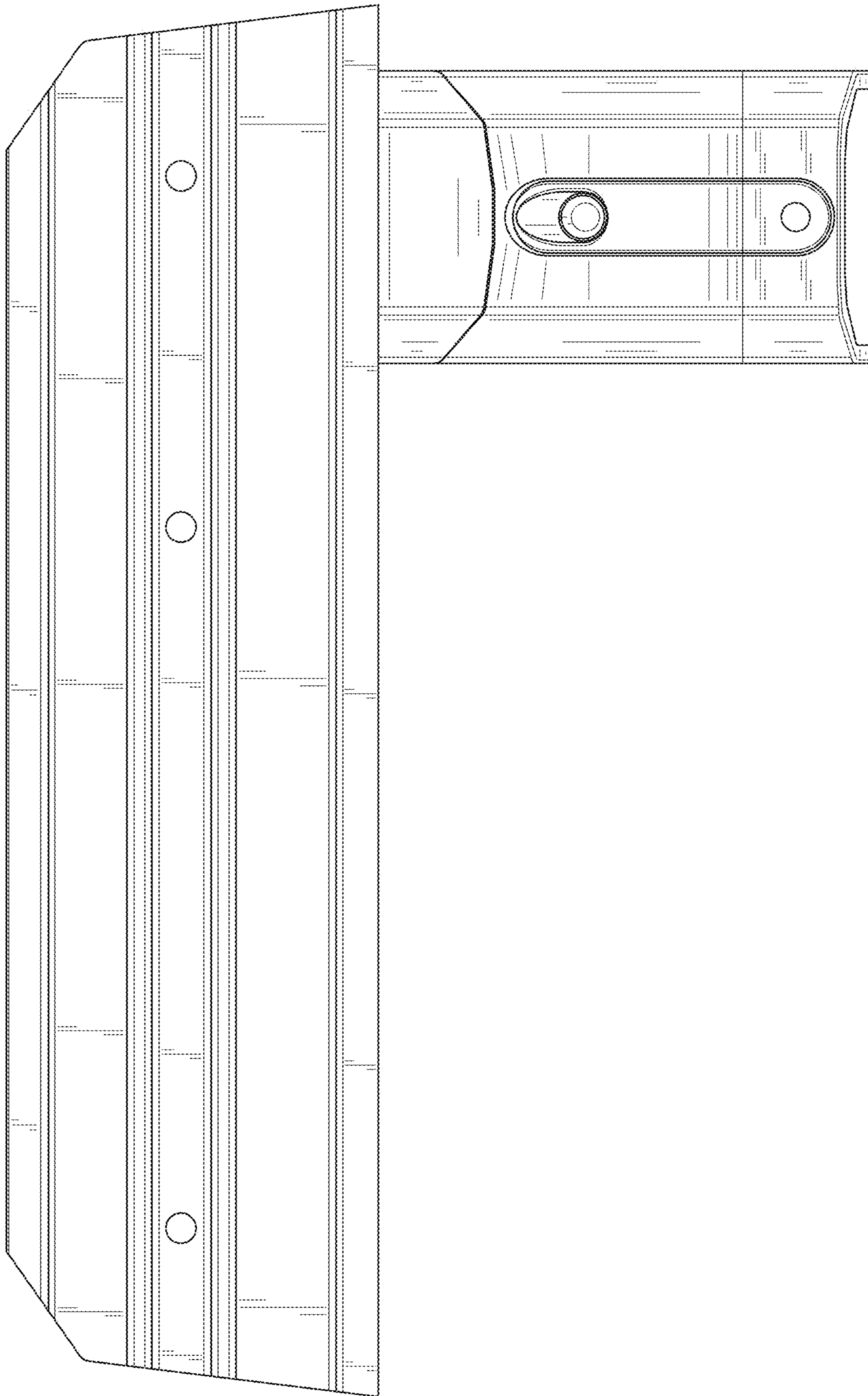


FIG. 8

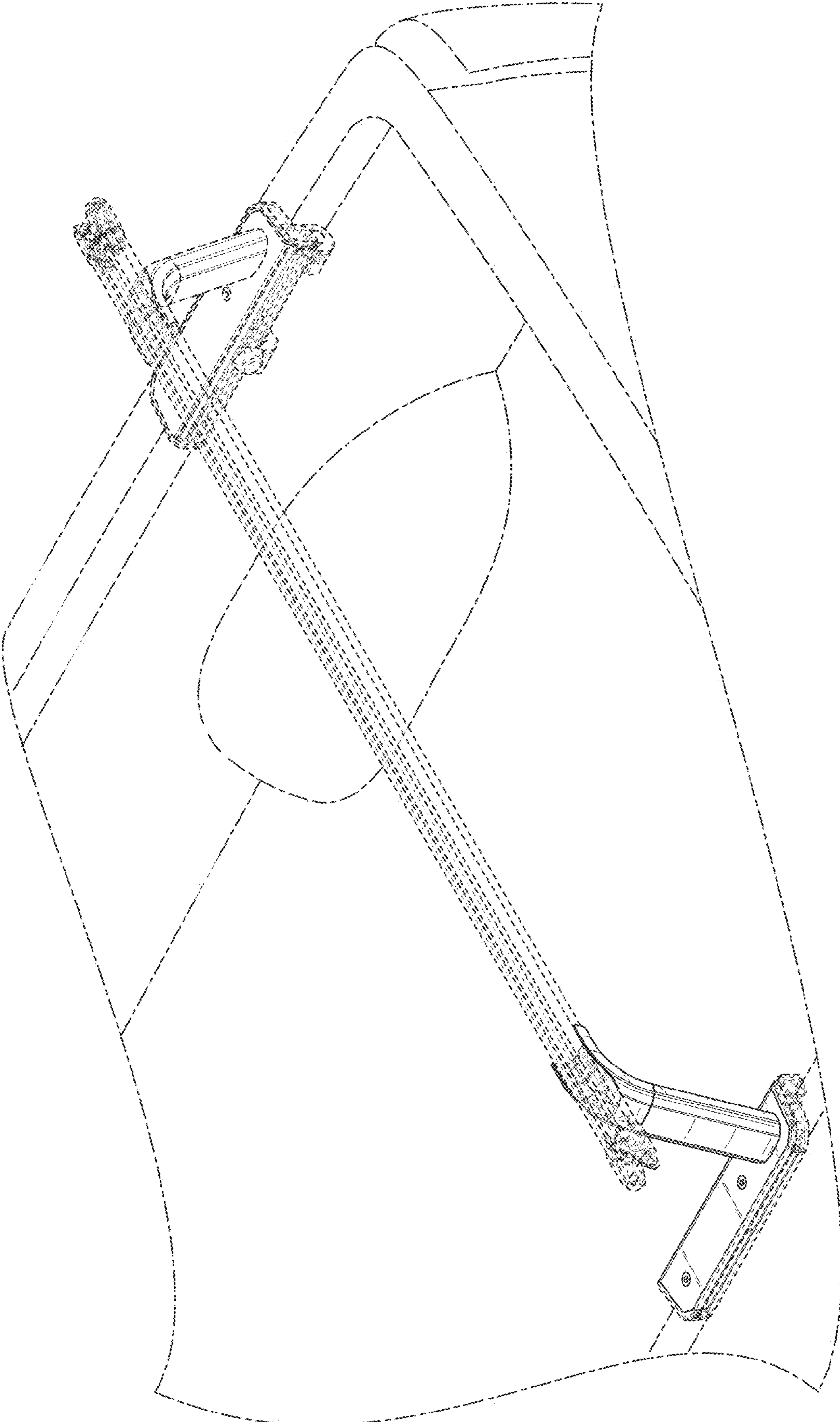


FIG. 9

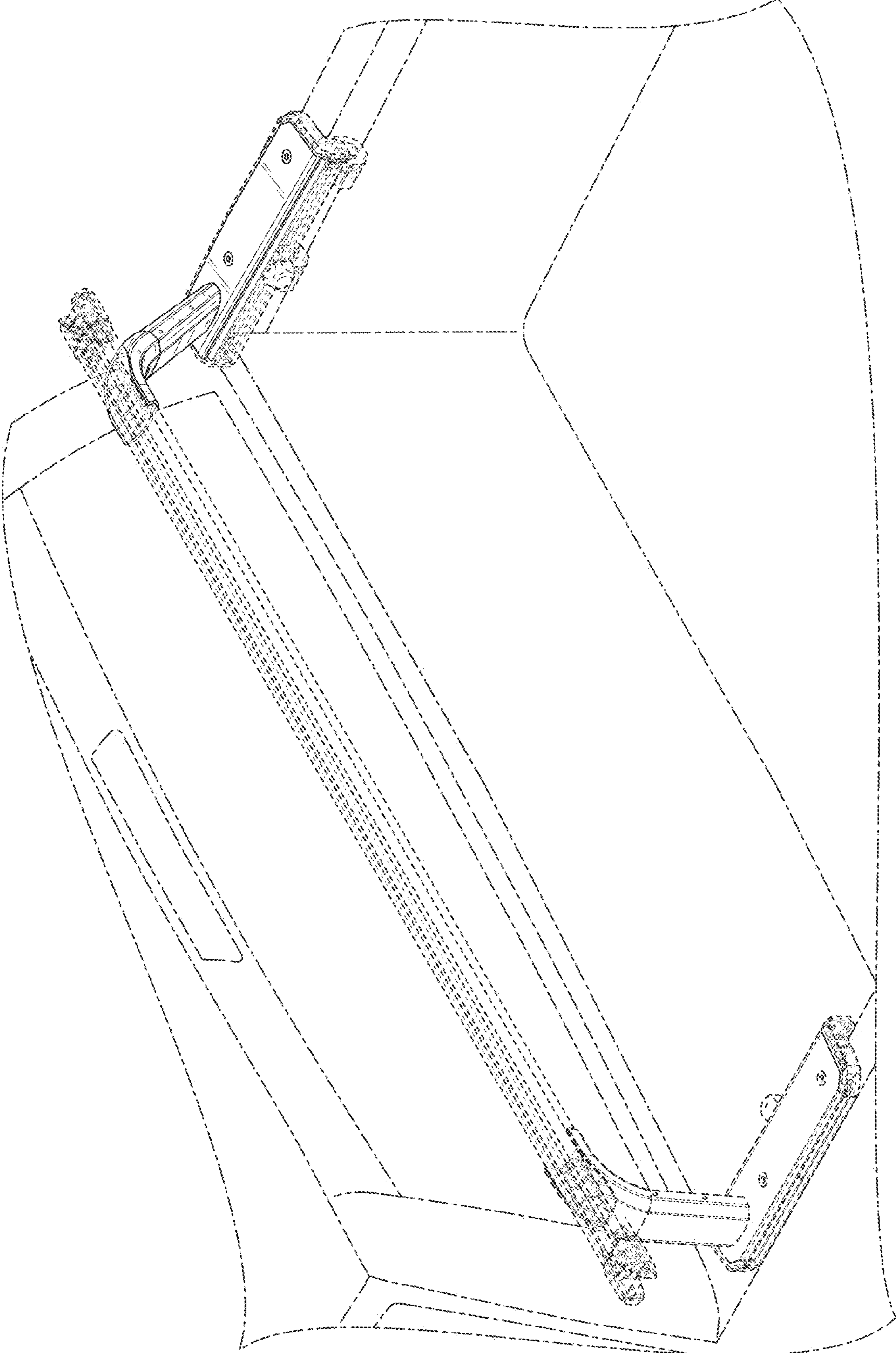


FIG. 10