



US00D888647S

(12) **United States Design Patent** (10) **Patent No.:** **US D888,647 S**
Stoneburner et al. (45) **Date of Patent:** **** Jun. 30, 2020**

(54) **TOWER FOR VEHICLE RACK**

(71) Applicant: **Yakima Products, Inc.**, Lake Oswego, OR (US)

(72) Inventors: **Warren E. Stoneburner**, Portland, OR (US); **Scott A. McFadden**, Portland, OR (US); **Ashley Hoch**, Portland, OR (US); **Jason Attfield Sagen**, Portland, OR (US)

(73) Assignee: **Yakima Products, Inc.**, Lake Oswego, OR (US)

(**) Term: **15 Years**

(21) Appl. No.: **29/649,468**

(22) Filed: **May 30, 2018**

(51) **LOC (12) Cl.** **12-16**

(52) **U.S. Cl.**
USPC **D12/406**

(58) **Field of Classification Search**
USPC D12/406, 412, 413, 414, 414.1; D6/552; D3/304-306; 224/309, 310, 315, 316, 224/323-329, 400; 280/760-762, 848, 280/727, 769
CPC .. B60R 9/058; B60R 9/00; B60R 9/02; B60R 9/04; B60R 9/08; B60R 9/042; B60R 9/0423; B60R 9/0426; B60R 9/045; B60R
(Continued)

(56) **References Cited**

U.S. PATENT DOCUMENTS

D216,432 S * 1/1970 Grosz D34/31
D273,187 S * 3/1984 Brorsson D12/414
(Continued)

FOREIGN PATENT DOCUMENTS

DE 3220417 * 8/1983 B60R 9/042

OTHER PUBLICATIONS

OverHaul HD(Set of 4), Yakima.com, [online], [site visited Sep. 23, 2019]. <URL: https://www.yakima.com/overhaul-hd> (Year: 2019).*
(Continued)

Primary Examiner — T Chase Nelson
Assistant Examiner — Jonathan J. Han
(74) *Attorney, Agent, or Firm* — Kolisch Hartwell, P.C.

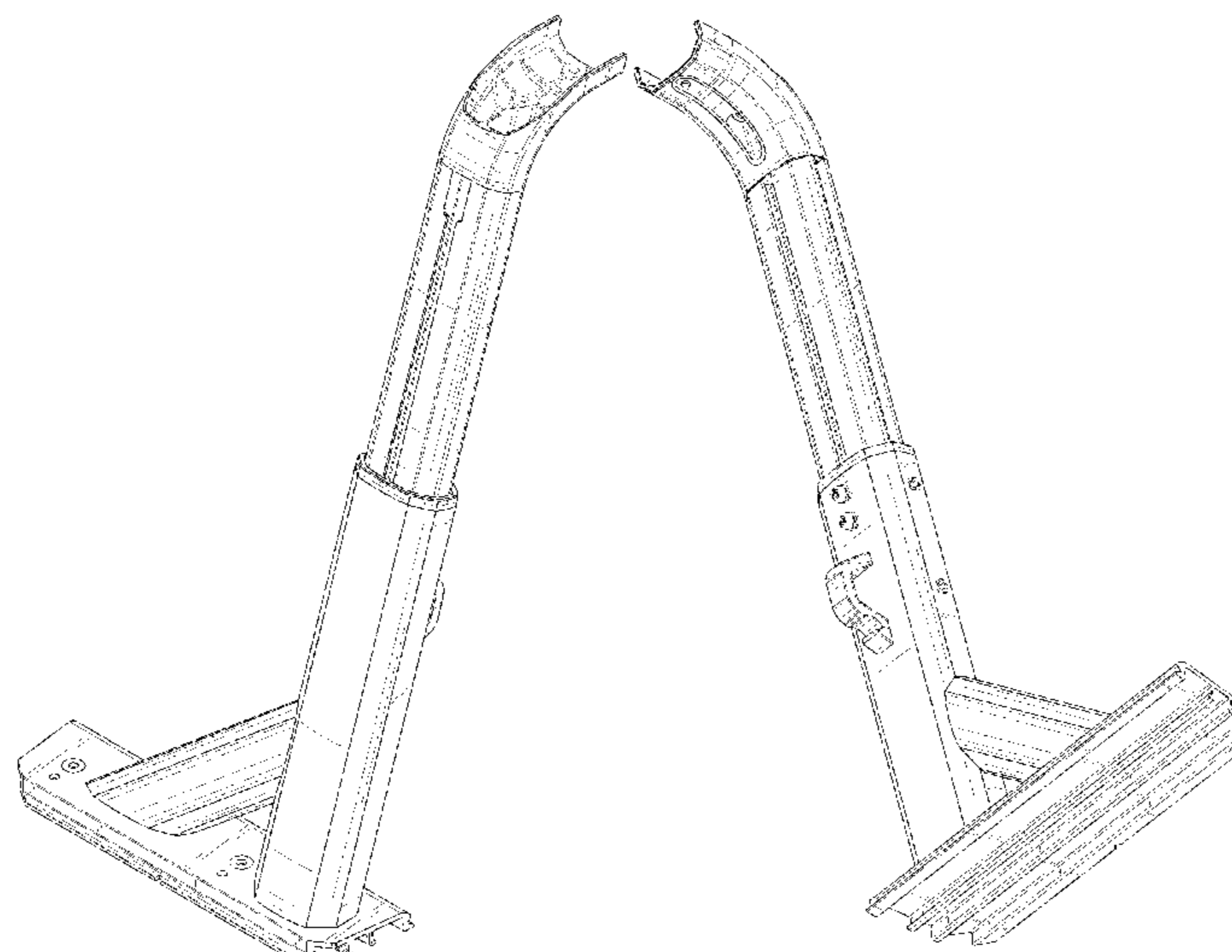
(57) **CLAIM**

The ornamental design for a tower for vehicle rack, as shown and described.

DESCRIPTION

FIG. 1 is a rear, top, and left side perspective view of a tower for vehicle rack showing the new design;
FIG. 2 is a front, bottom, and right side perspective view thereof;
FIG. 3 is a top plan view thereof;
FIG. 4 is a bottom plan view thereof
FIG. 5 is a rear elevation view thereof;
FIG. 6 is a front elevation view thereof;
FIG. 7 is a right side elevation view thereof;
FIG. 8 is a left side elevation view thereof;
FIG. 9 is a rear, top, and left side perspective view of an alternative configuration of a tower for vehicle rack showing the new design;
FIG. 10 is a front, bottom, and right side perspective view thereof; and
FIG. 11 is a rear, top, and left side perspective view of the tower for vehicle rack and a mirror image counterpart shown in use on a vehicle; and,
FIG. 12 is a front, top, and right side perspective view of the tower for vehicle rack and a mirror image counterpart shown in use on a vehicle.
The dashed lines in the drawings are used to illustrate portions of the tower for vehicle rack as well as environment in FIGS. 11 and 12. The dashed lines and structure they depict form no part of the claimed design.

1 Claim, 12 Drawing Sheets



(58) **Field of Classification Search**
 CPC 9/048; B60R 9/0485; B60R 9/05; B60R
 9/052; B60R 9/055; B60R 9/06; B60R
 9/10; B60R 9/12
 See application file for complete search history.

(56) **References Cited**

U.S. PATENT DOCUMENTS

D294,137 S * 2/1988 Robson D12/412
 D294,340 S * 2/1988 Robson D12/414
 4,934,572 A 6/1990 Bowman et al.
 5,000,480 A * 3/1991 Straka B60Q 1/2611
 280/756
 5,092,504 A 3/1992 Hannes et al.
 5,118,156 A 6/1992 Richard
 5,119,980 A * 6/1992 Grim B60R 9/12
 224/315
 5,143,415 A 9/1992 Boudah
 5,228,739 A 7/1993 Love
 5,261,719 A 11/1993 Tucker
 5,310,238 A 5/1994 Wheatley
 5,316,190 A 5/1994 Bullock
 5,393,114 A 2/1995 Christensen
 5,431,472 A 7/1995 Coffland
 5,494,327 A 2/1996 Derecktor
 5,527,024 A 6/1996 Dyskra
 5,540,475 A 7/1996 Kersting et al.
 D377,163 S * 1/1997 Davis D12/408
 5,611,472 A 3/1997 Miller
 D406,095 S * 2/1999 Denny D12/414
 5,975,618 A 11/1999 Rippberger
 6,059,159 A 5/2000 Fisher
 D434,364 S * 11/2000 Bauer D12/412
 6,179,181 B1 1/2001 Johnson et al.
 D454,328 S * 3/2002 Cornelius D12/404
 6,425,509 B1 * 7/2002 Dean B60R 9/048
 211/20
 6,431,423 B1 * 8/2002 Allen B60R 9/048
 224/324
 6,561,556 B2 5/2003 Fuchs
 D481,003 S * 10/2003 Bauer D12/412
 6,722,541 B1 4/2004 Aftanas et al.
 6,834,786 B2 12/2004 Hansen
 6,971,563 B2 12/2005 Levi
 7,014,236 B2 3/2006 Kems
 D521,852 S * 5/2006 Hall D8/354
 7,296,837 B2 11/2007 Neidziela et al.
 7,419,075 B2 9/2008 Green
 7,464,977 B1 12/2008 Price
 7,497,493 B1 3/2009 Thiessen et al.
 7,530,614 B2 5/2009 Nichols
 D624,005 S 9/2010 Winner et al.
 7,841,637 B1 11/2010 Jones et al.
 7,878,743 B2 2/2011 Aftanas
 D633,427 S * 3/2011 Marr, Jr. B60R 9/00
 D12/223
 8,157,229 B2 4/2012 Palermo
 D684,105 S * 6/2013 Foster D12/412

D692,368 S * 10/2013 Foster D12/412
 D695,206 S * 12/2013 Eriksson D12/414
 8,668,125 B2 3/2014 Williams
 D702,620 S * 4/2014 Read D12/223
 D717,631 S * 11/2014 Elbl D6/550
 D719,500 S * 12/2014 Foster D12/412
 D719,501 S * 12/2014 Foster D12/412
 D744,379 S * 12/2015 Penner D12/106
 9,248,784 B2 2/2016 Kraeuter et al.
 D834,497 S * 11/2018 Schwartz D12/414
 D840,324 S * 2/2019 Adler D12/412
 D845,869 S * 4/2019 Wymore D12/222
 D850,353 S * 6/2019 Badillo D12/223
 D856,628 S * 8/2019 Molnar D34/35
 2001/0040139 A1 * 11/2001 Dean B60R 9/048
 211/17
 2004/0134953 A1 7/2004 Perez
 2008/0100075 A1 5/2008 Derecktor
 2008/0101883 A1 5/2008 Derecktor
 2008/0152452 A1 6/2008 Green
 2009/0026784 A1 1/2009 Green
 2010/0072237 A1 3/2010 Green
 2010/0288808 A1 11/2010 Marr, Jr.
 2011/0139840 A1 6/2011 Kraeuter et al.
 2014/0117062 A1 5/2014 Kraeuter et al.

OTHER PUBLICATIONS

OutPost HD (Set of 4), Yakima.com, [online], [site visited Sep. 23, 2019]. <URL: <https://www.yakima.com/outpost-hd>> (Year: 2019).
 Yakima 1A Raingutter Towers—Set of 4, REI.com, [online], [site visited Sep. 23, 2019]. <URL: <https://www.rei.com/product/490005/yakima-1a-raingutter-towers-set-of-4>> (Year: 2019).
 Thule, 422 Xsporter Product and Features, Jun. 15, 2008, retrieved from Internet: http://web.archive.org/web/20080615140107/http://www.thuleracks.com/product.asp?dept_id=75&sku=422, retrieved on Sep. 23, 2013, 1 page.
 Prorac Systems Inc., Tonneau Racks, Mar. 3, 2009, retrieved from internet: <http://web.archive.org/web/20090330193648/http://www.prorac.com/softonneau.php>, retrieved on Sep. 23, 2013, 2 pages.
 Thule, Rack Systems, Apr. 16, 2009, retrieved from internet: http://web.archive.org/web/20090416182828/http://www.thuleracks.com/carrier_multipurpose2.asp?location=5; retrieved on Sep. 23, 2013, 1 page.
 De-sta-co, De-sta-co Clamps Products, Jun. 12, 2009, retrieved from internet: http://web.archive.org/web/20090612013130/http://www.destaco.com/products.asp?loc=USA&lang=ENG&products=Clamps&Category_1=Straight+Line+Action+Clamps, retrieved on Sep. 23, 2013, 16 pages.
 Inno, Base System, Apr. 15, 2010, retrieved from internet: <http://web.archive.org/web/20100415173639/http://www.innoracks.com/product/base/>, retrieved on Sep. 23, 2013, 3 pages.
 Tracrac, TracONE Overview and Features, Jul. 18, 2010, retrieved from internet: <http://web.archive.org/web/20100718200146/http://www.tracrac.com/pick-up-trucks/tracone>, retrieved on Sep. 23, 2013, 1 page.

* cited by examiner

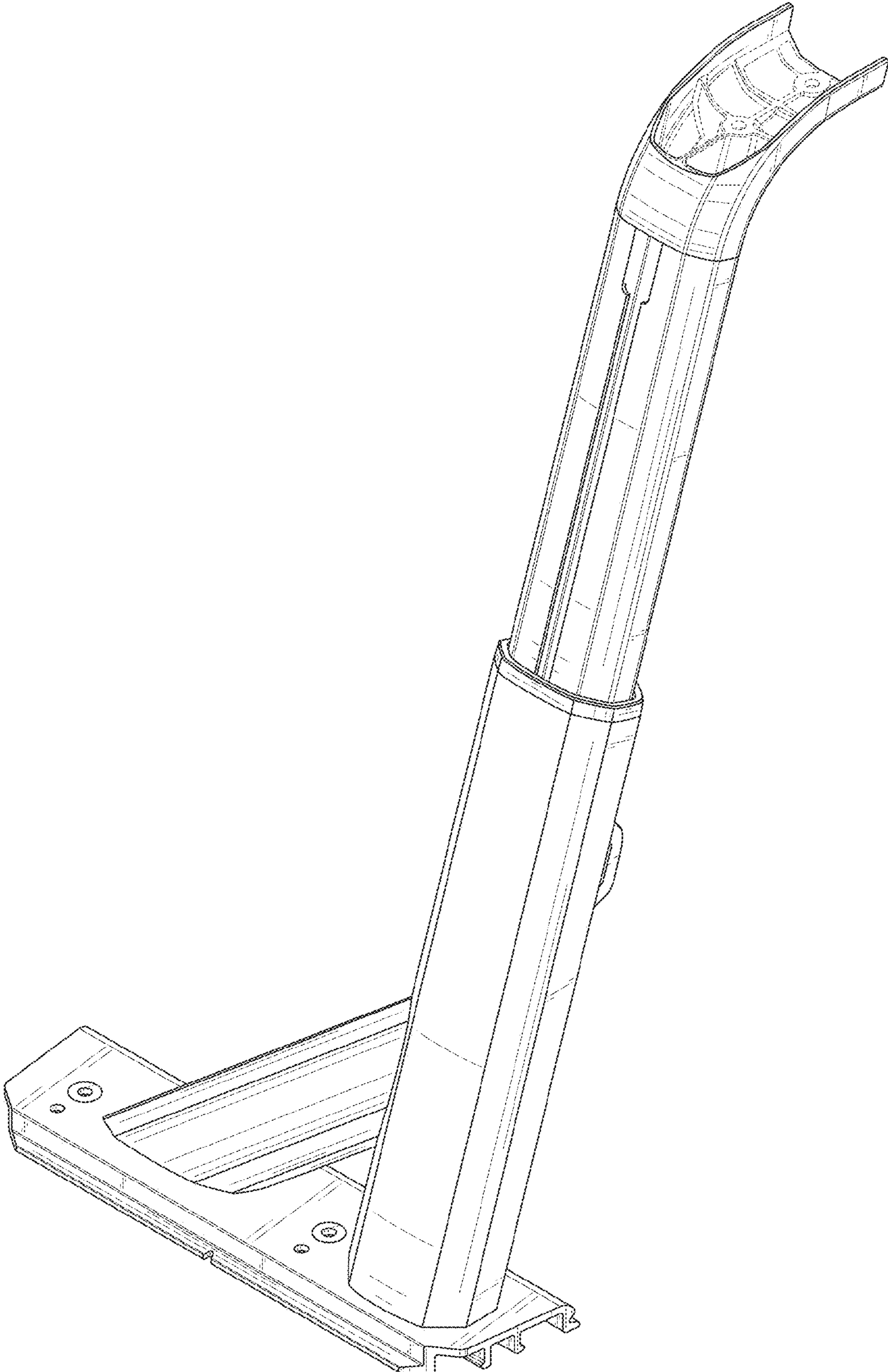


FIG. 1

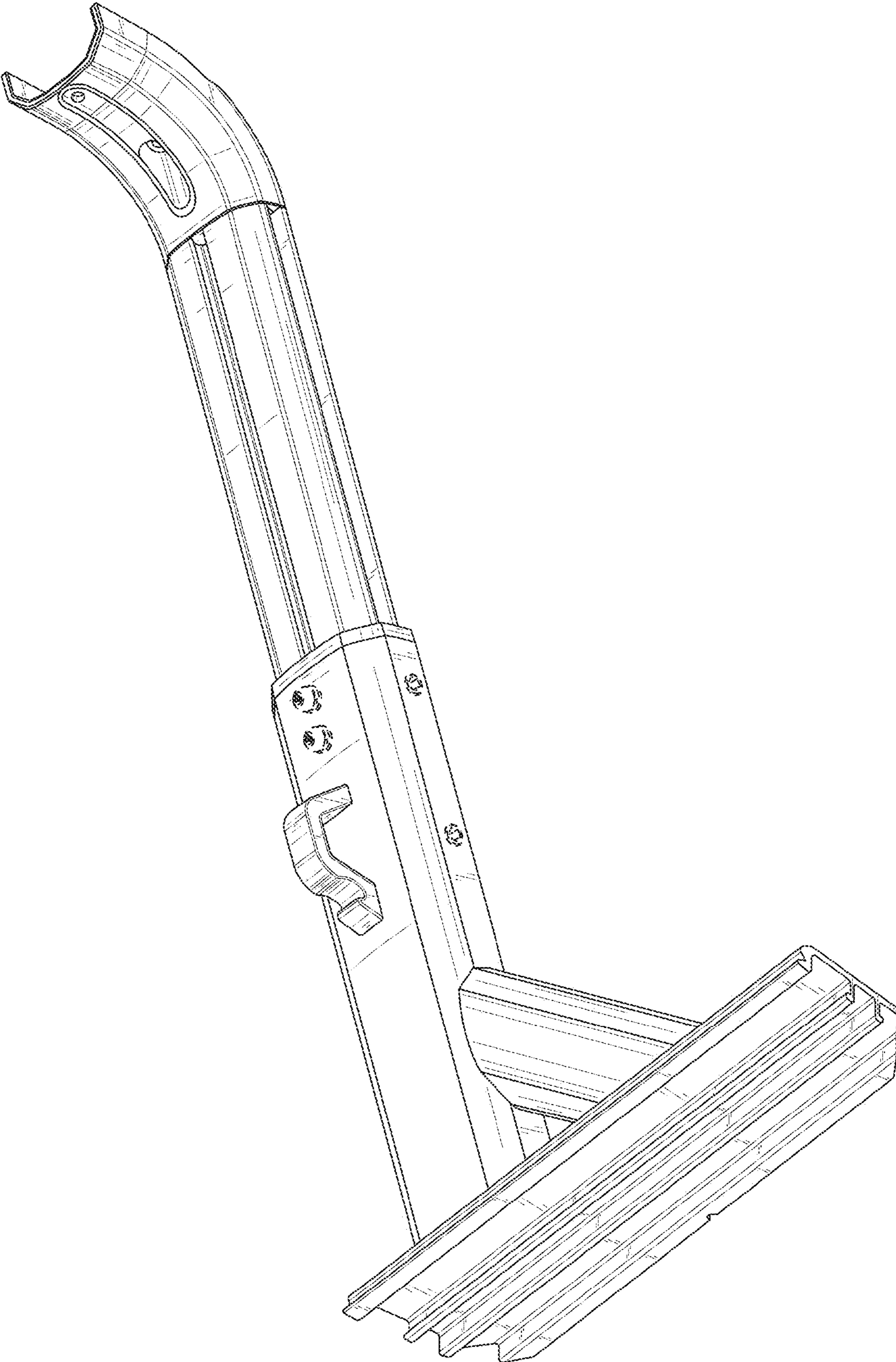


FIG. 2

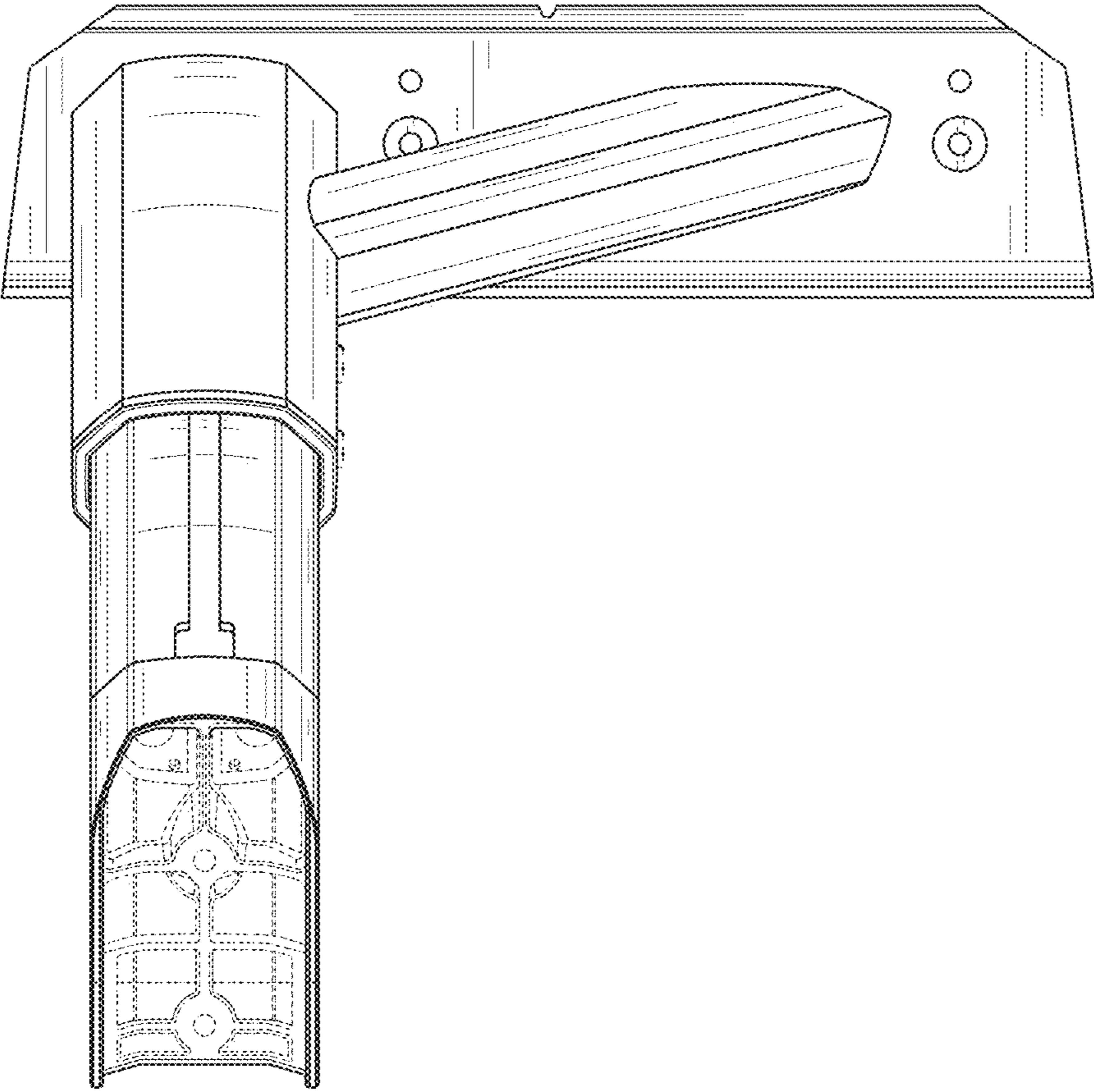


FIG. 3

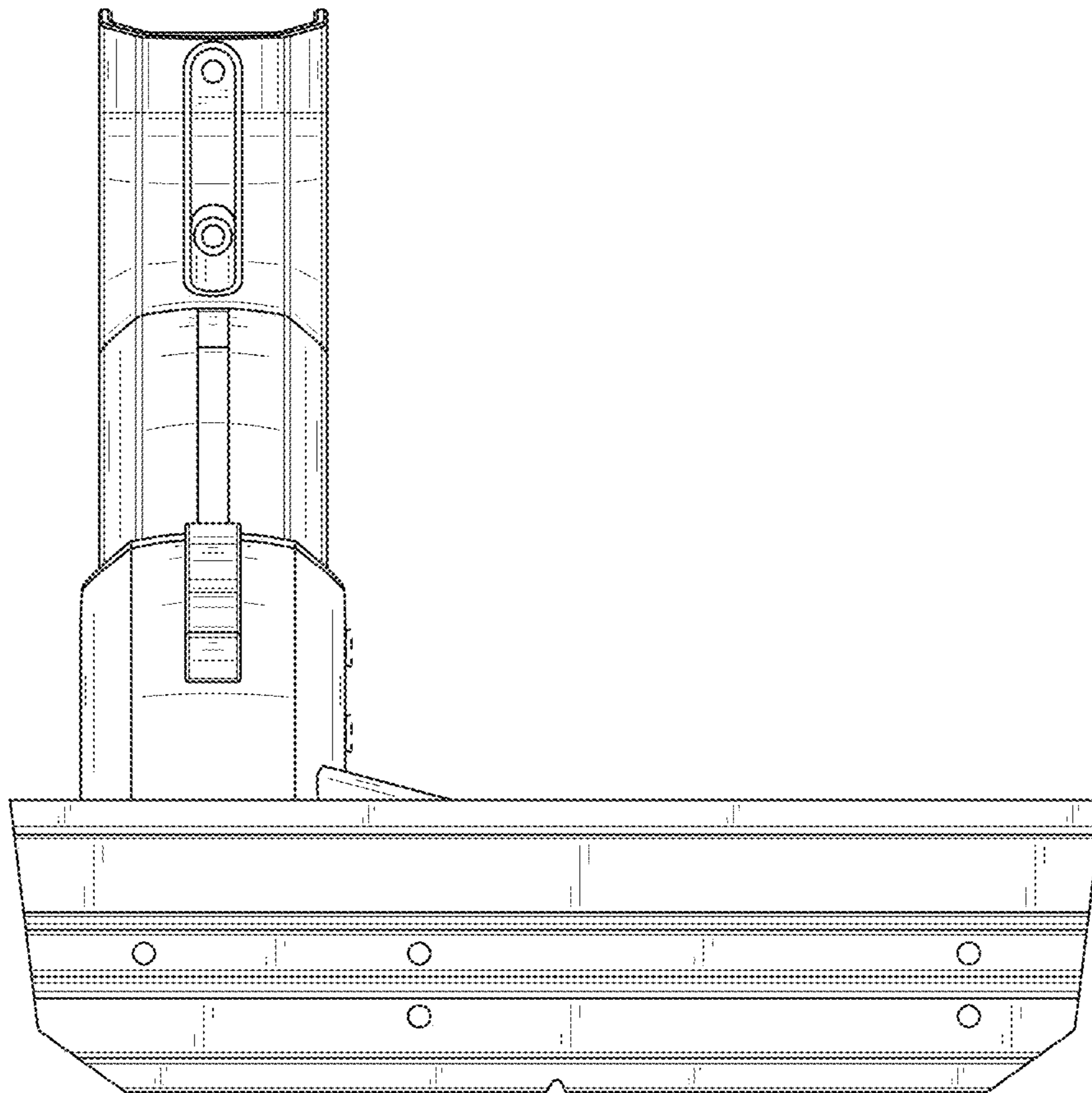


FIG. 4

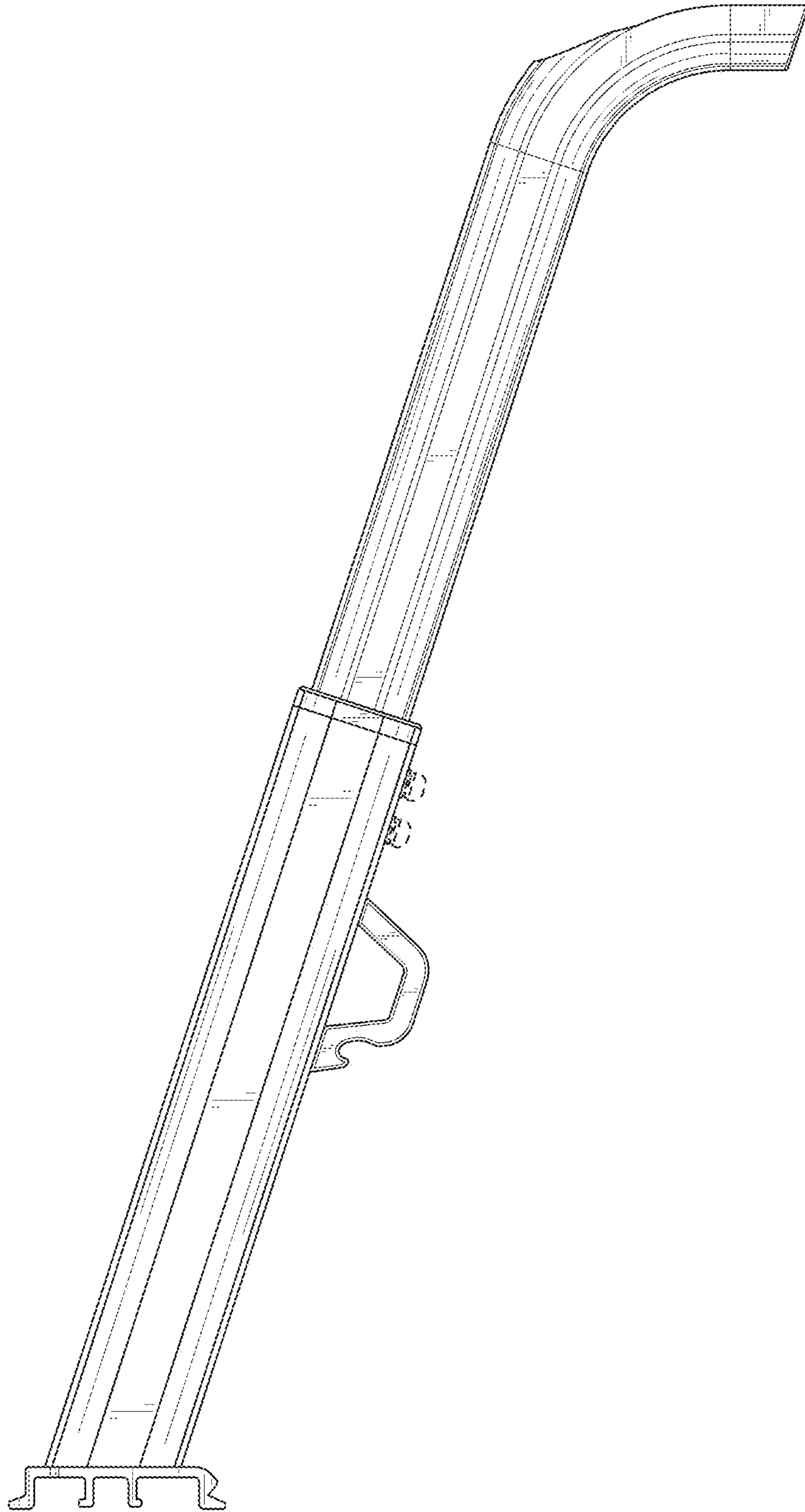


FIG. 5

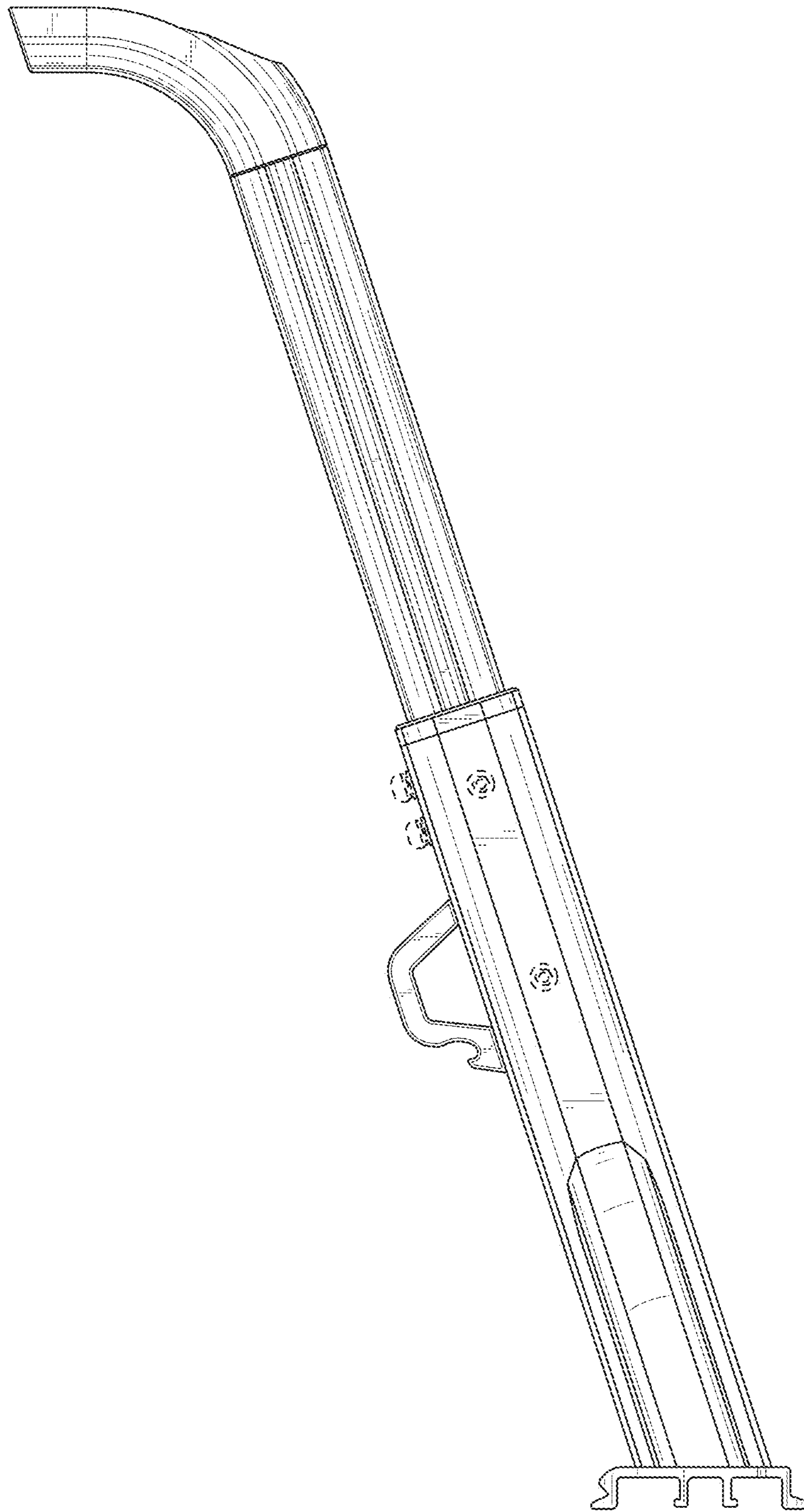


FIG. 6

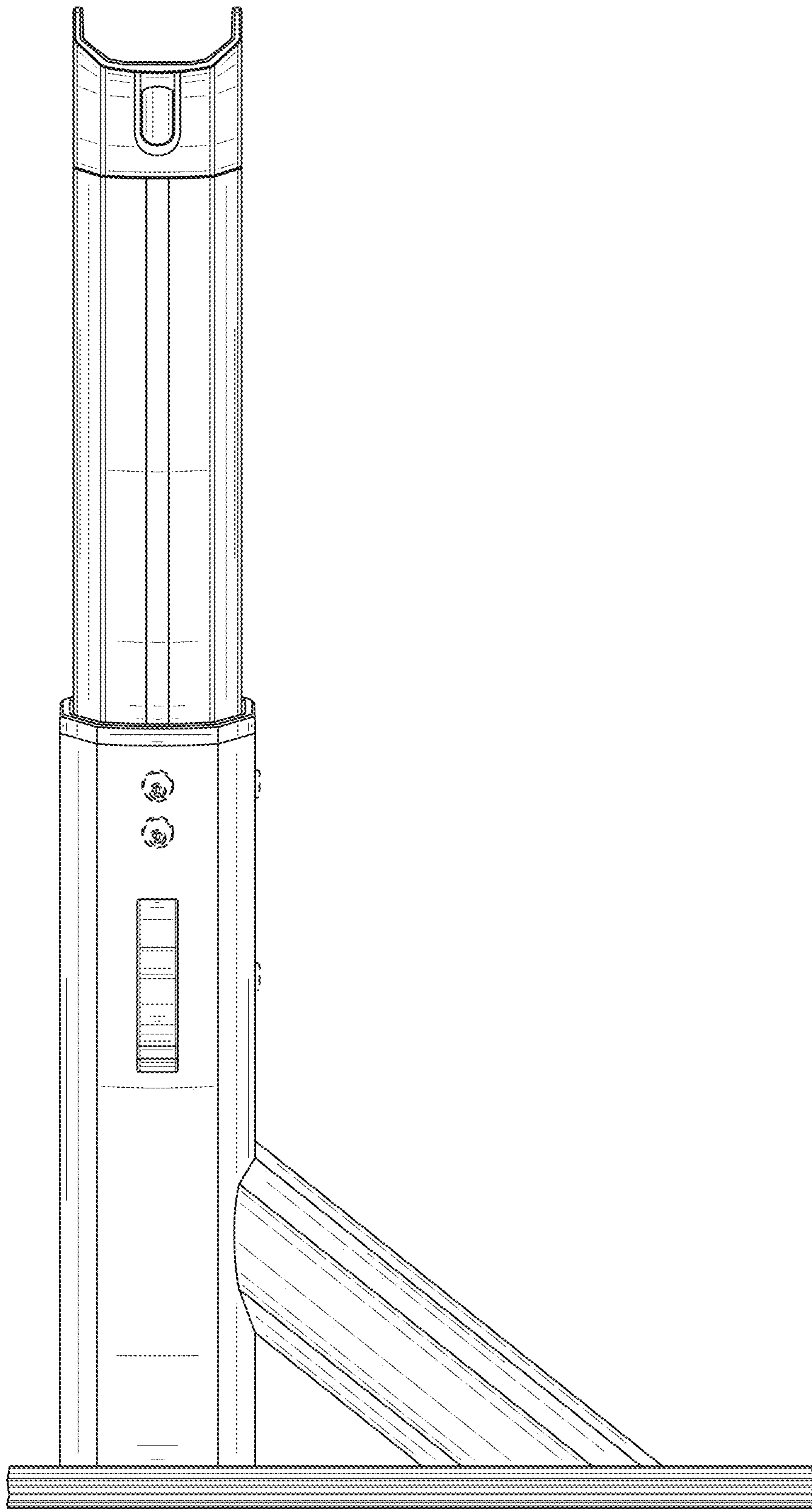


FIG. 7

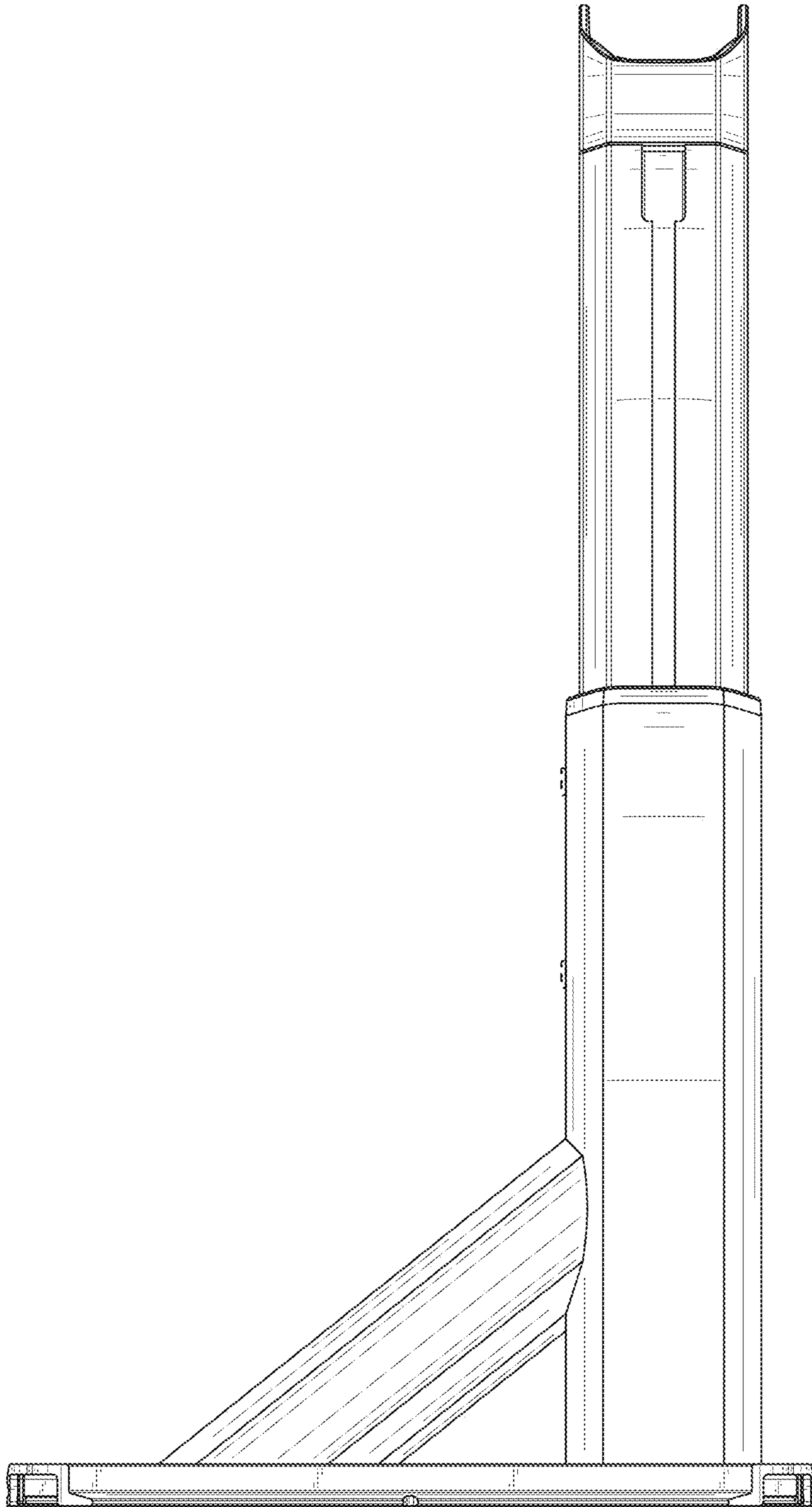


FIG. 8

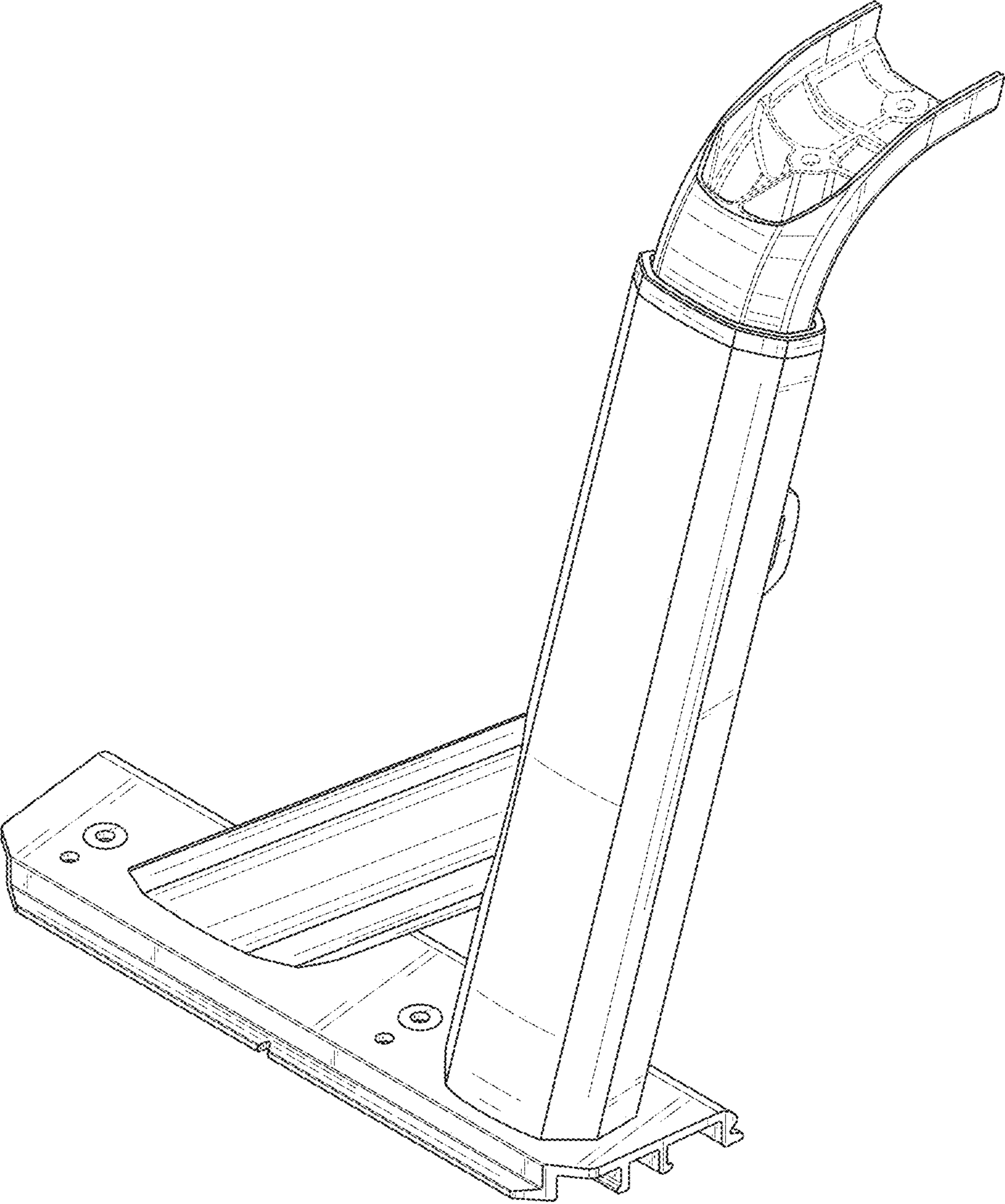


FIG. 9

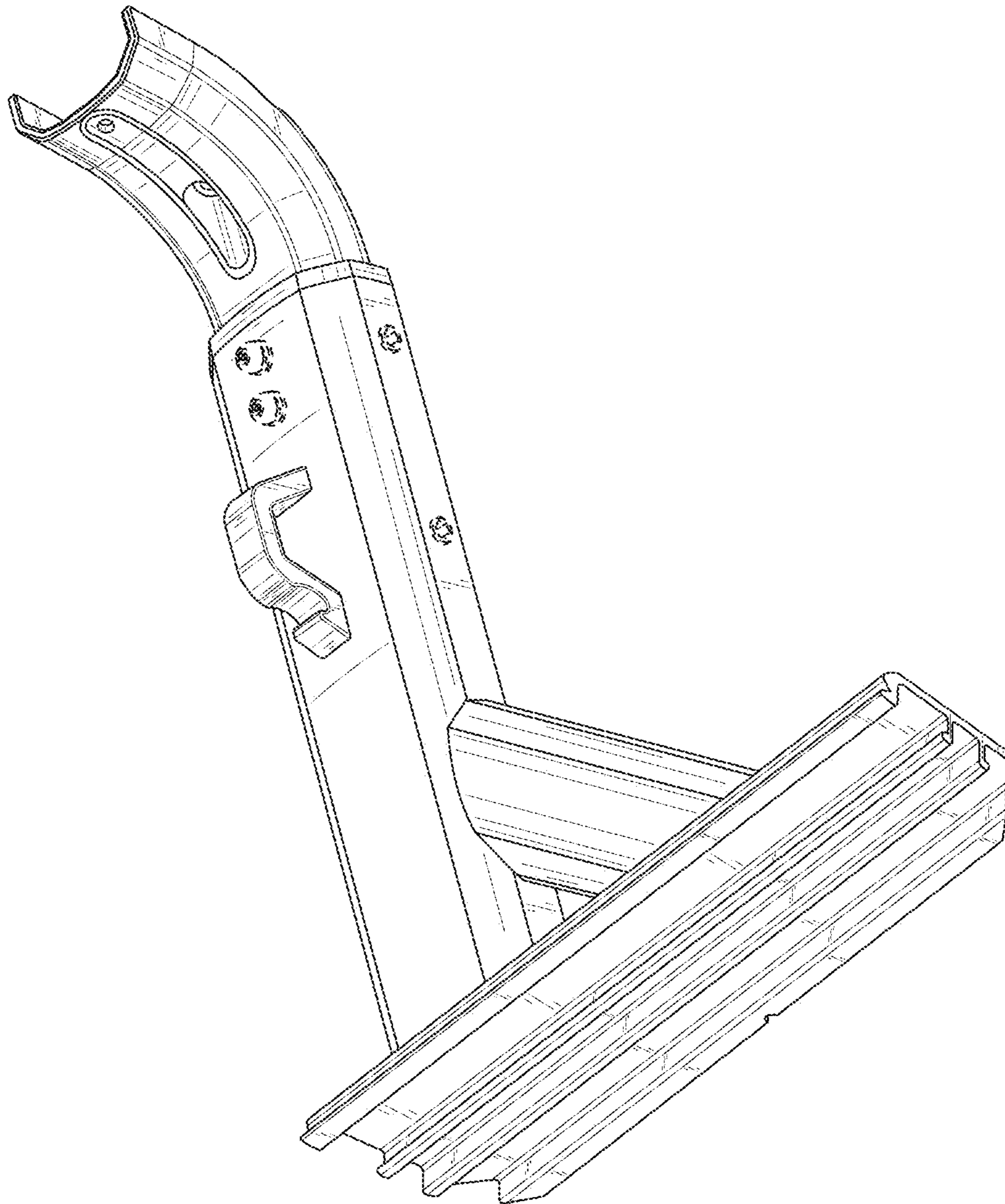


FIG. 10

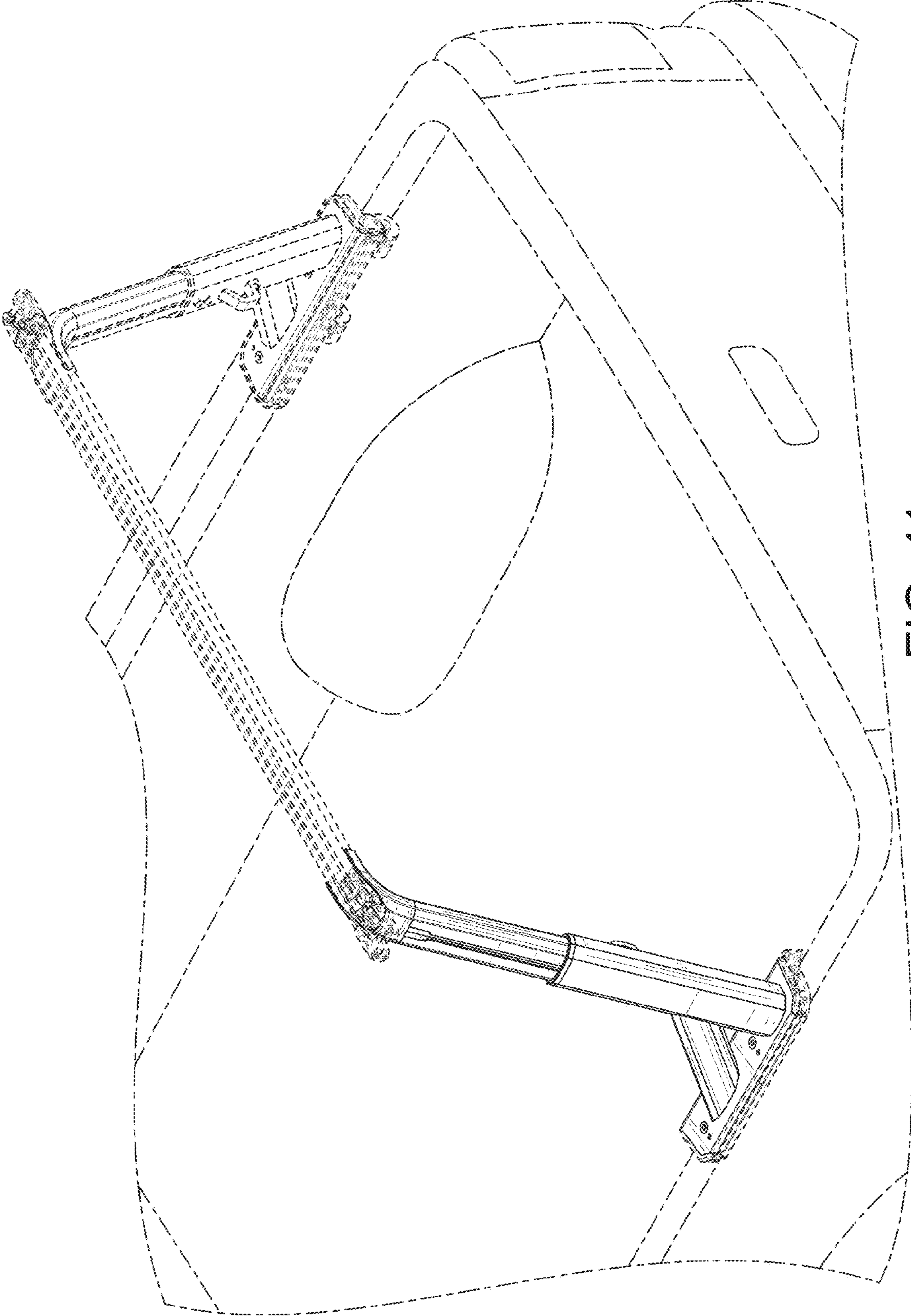


FIG. 11

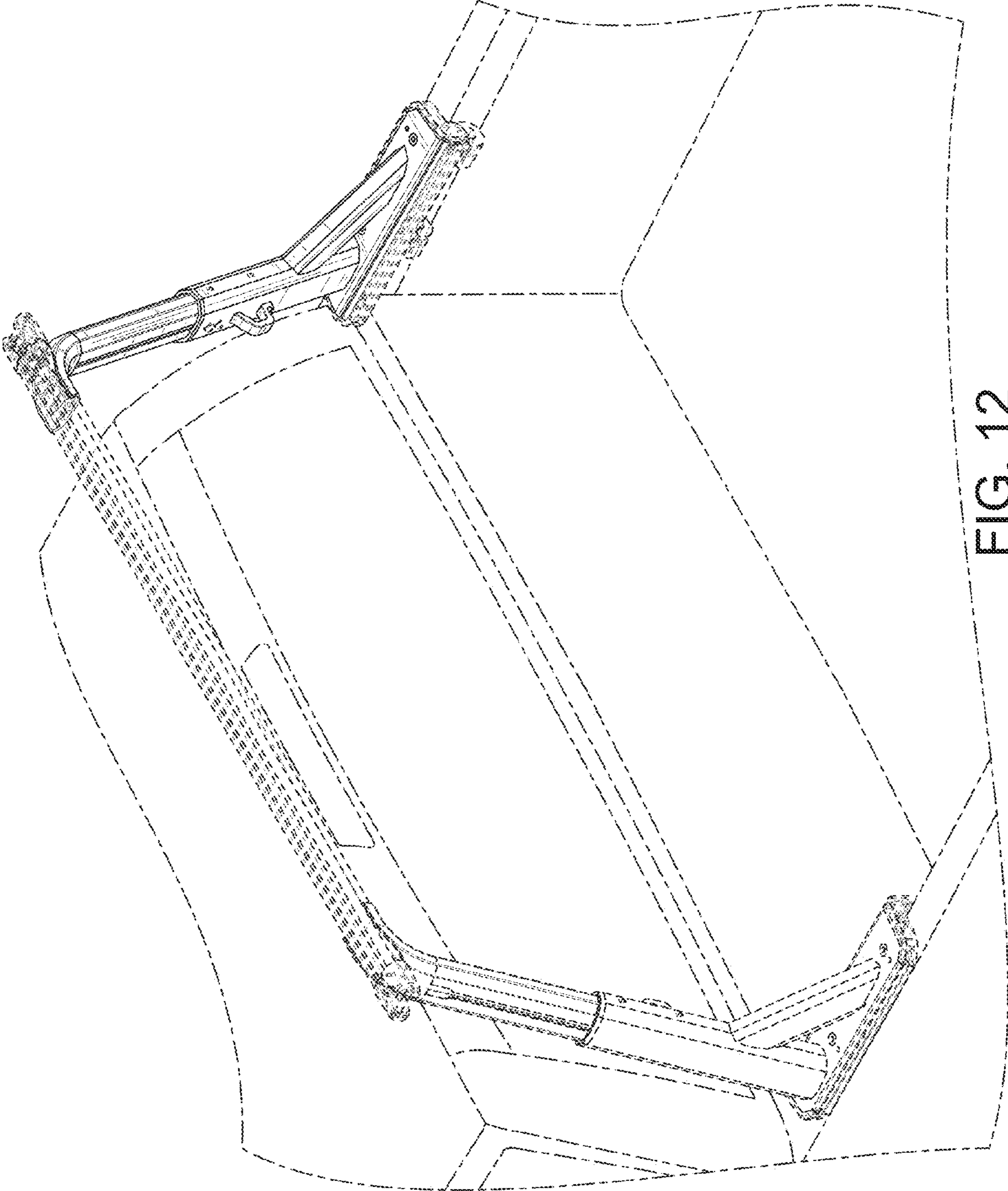


FIG. 12