



US00D888646S

(12) **United States Design Patent**
Richards et al.

(10) **Patent No.:** **US D888,646 S**

(45) **Date of Patent:** **** Jun. 30, 2020**

(54) **COMBINED MARINE SHIFT AND THROTTLE CONTROL**

(71) Applicant: **Marine Acquisition (US) Incorporated**, Limerick, PA (US)

(72) Inventors: **Jason Richards**, Pottstown, PA (US); **Matt Green**, Macungie, PA (US); **Tom Ward**, Downingtown, PA (US); **David Wolfe**, Hatfield, PA (US); **Steven Bizzarro**, Macungie, PA (US); **Thomas-Éric Béliveau**, Danville (CA); **Olivier Patry**, Montreal (CA); **Antoine Dallaire**, Montreal (CA)

(73) Assignee: **Marine Acquisition (US) Incorporated**, Limerick, PA (US)

(**) Term: **15 Years**

(21) Appl. No.: **29/579,773**

(22) Filed: **Oct. 3, 2016**

(51) **LOC (12) Cl.** **12-06**

(52) **U.S. Cl.**
USPC **D12/317**

(58) **Field of Classification Search**
USPC D12/174, 178–180, 300, 301, 303–315, D12/317, 318; D10/49; D13/134, 162, D13/168, 169, 173
CPC B62H 21/21; B62H 21/213; B62H 21/22; B62H 21/265
See application file for complete search history.

(56) **References Cited**

U.S. PATENT DOCUMENTS

D510,556 S * 10/2005 Rick D12/317
D554,080 S * 10/2007 Iekura D13/168

D581,855 S * 12/2008 Arol D12/317
D663,253 S * 7/2012 Bondesson D12/317
D663,254 S * 7/2012 Bondesson D12/317
D689,424 S * 9/2013 Park D12/317
D710,781 S * 8/2014 Park D12/317
D834,492 S * 11/2018 Uchiyama D12/317
D834,493 S * 11/2018 Uchiyama D12/317

* cited by examiner

Primary Examiner — Cynthia M. Chin

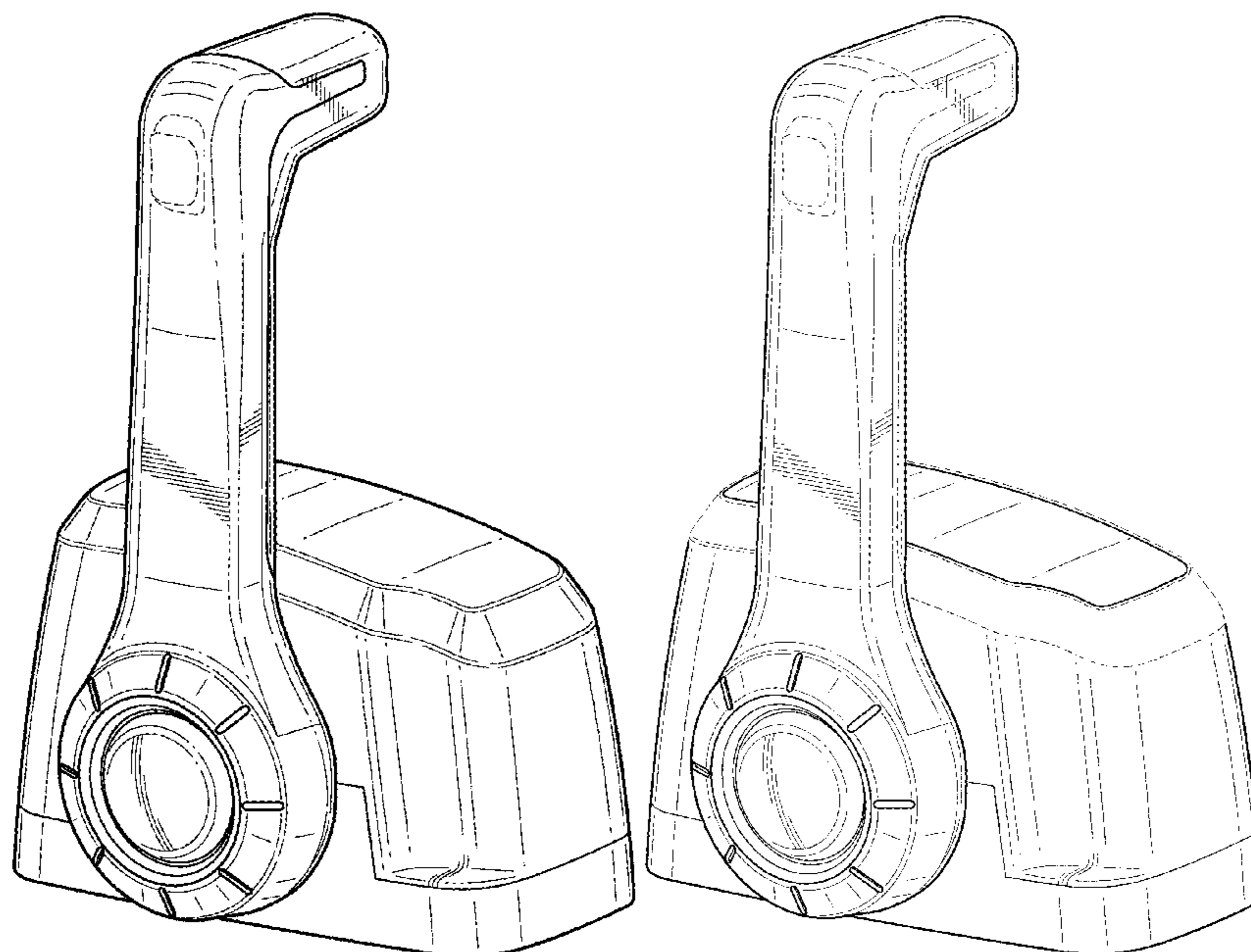
(57) **CLAIM**

The ornamental design for a combined marine shift and throttle control, as shown and described.

DESCRIPTION

FIG. 1 is a front, side perspective view of a first embodiment of our design;
FIG. 2 is a front elevational view thereof;
FIG. 3 is a rear elevational view thereof;
FIG. 4 is a side elevational view thereof;
FIG. 5 is a side elevational view from the side opposite to that of FIG. 4;
FIG. 6 is a top plan view thereof;
FIG. 7 is a bottom plan view thereof;
FIG. 8 is a front, side perspective view of a second embodiment of our design;
FIG. 9 is a front elevational view thereof;
FIG. 10 is a rear elevational view thereof;
FIG. 11 is a side elevational view thereof;
FIG. 12 is a side elevational view from the side opposite to that of FIG. 11;
FIG. 13 is a top plan view thereof; and,
FIG. 14 is a bottom plan view thereof.
The broken lines are for the purpose of illustrating portions of the article that form no part of the claimed design.

1 Claim, 12 Drawing Sheets



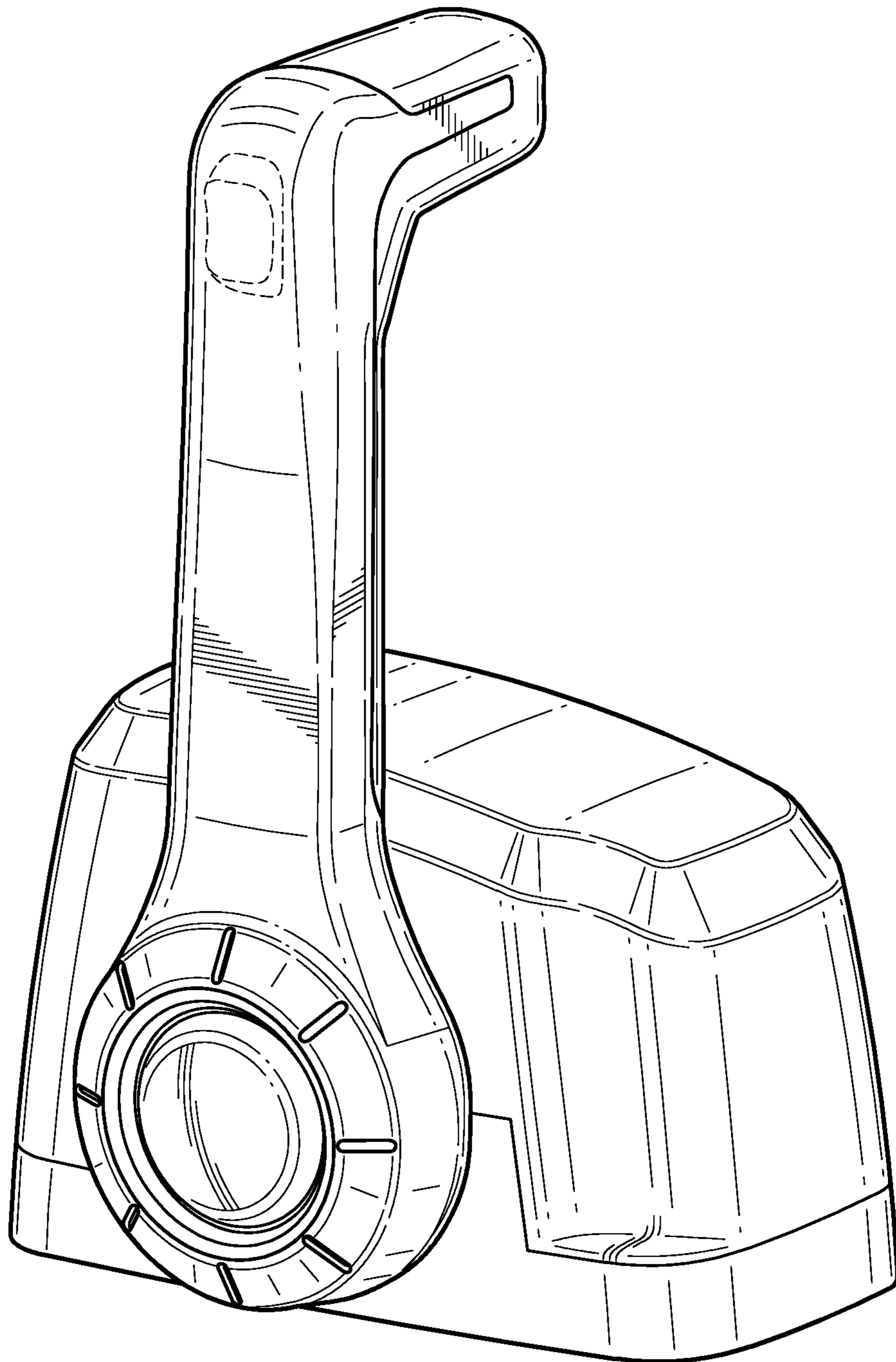


FIG. 1

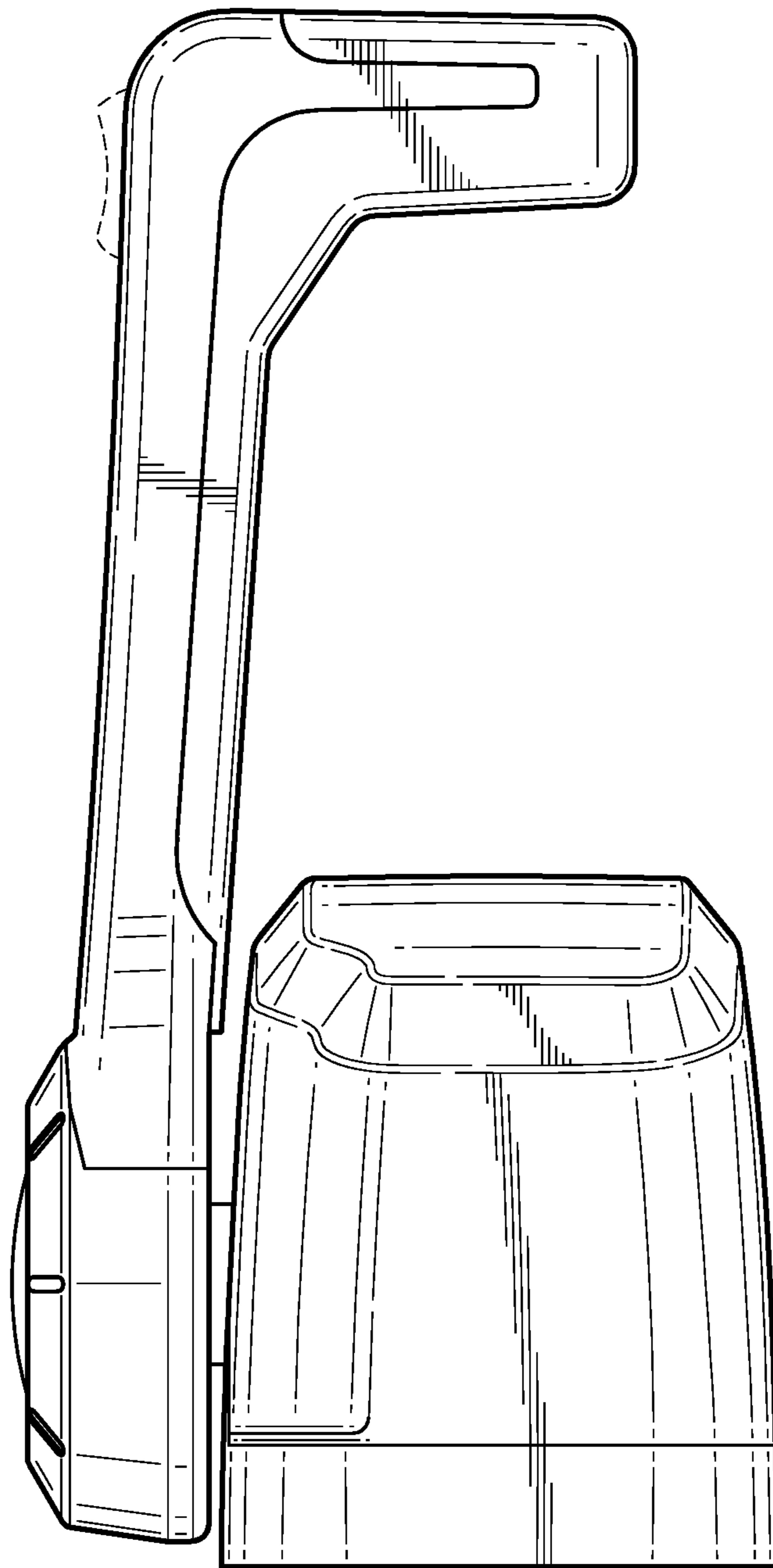


FIG. 2

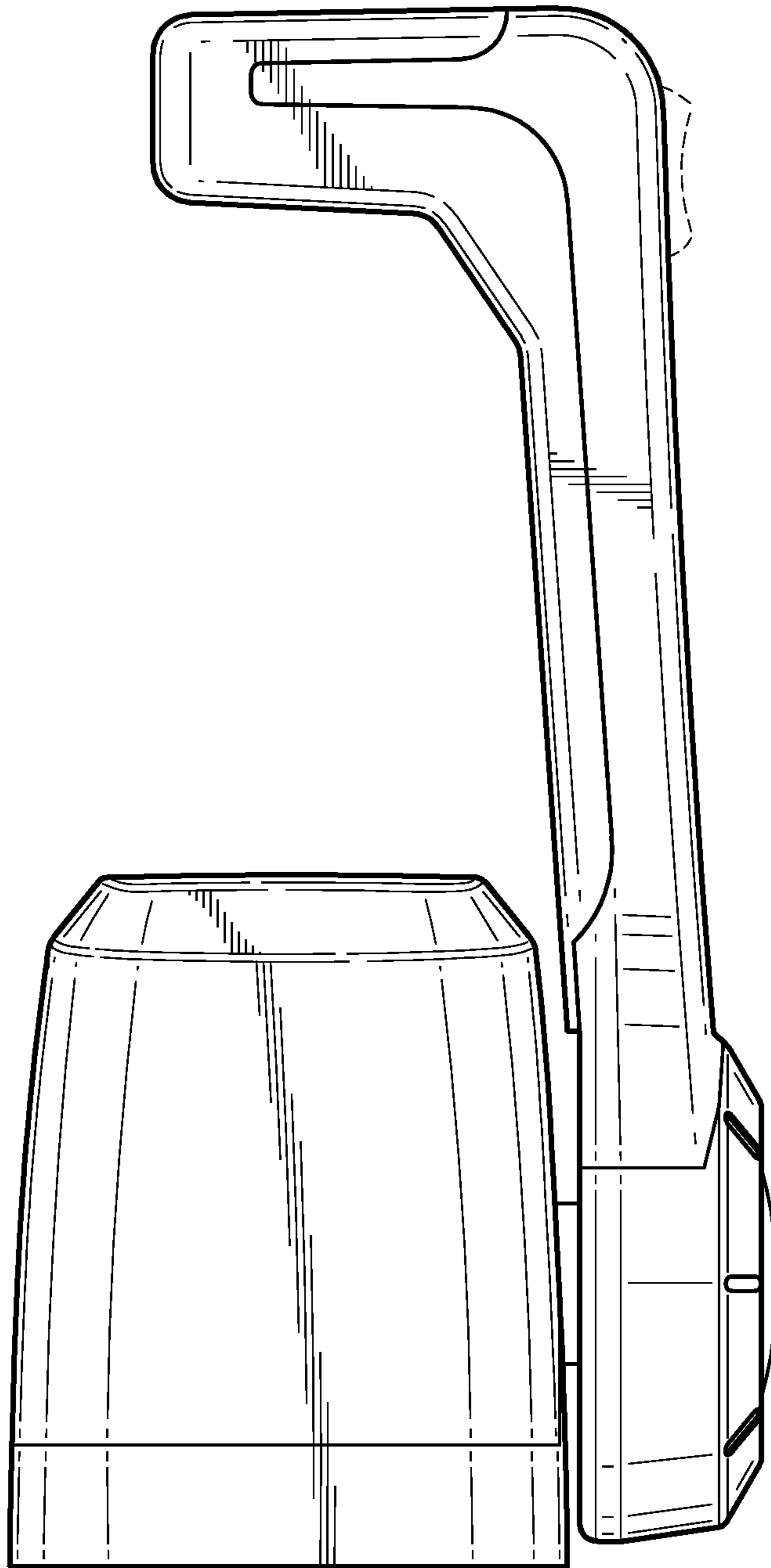


FIG. 3

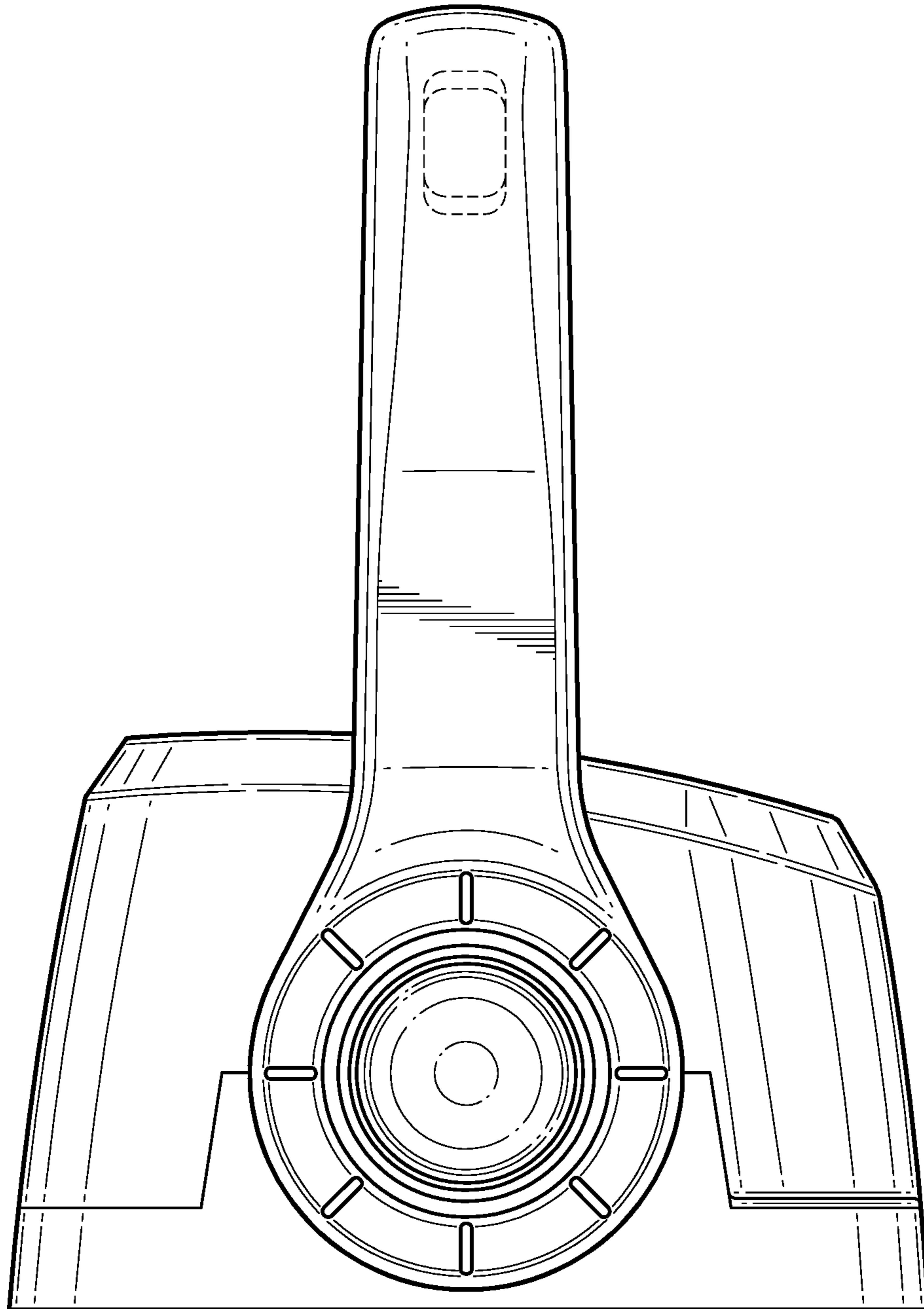


FIG. 4

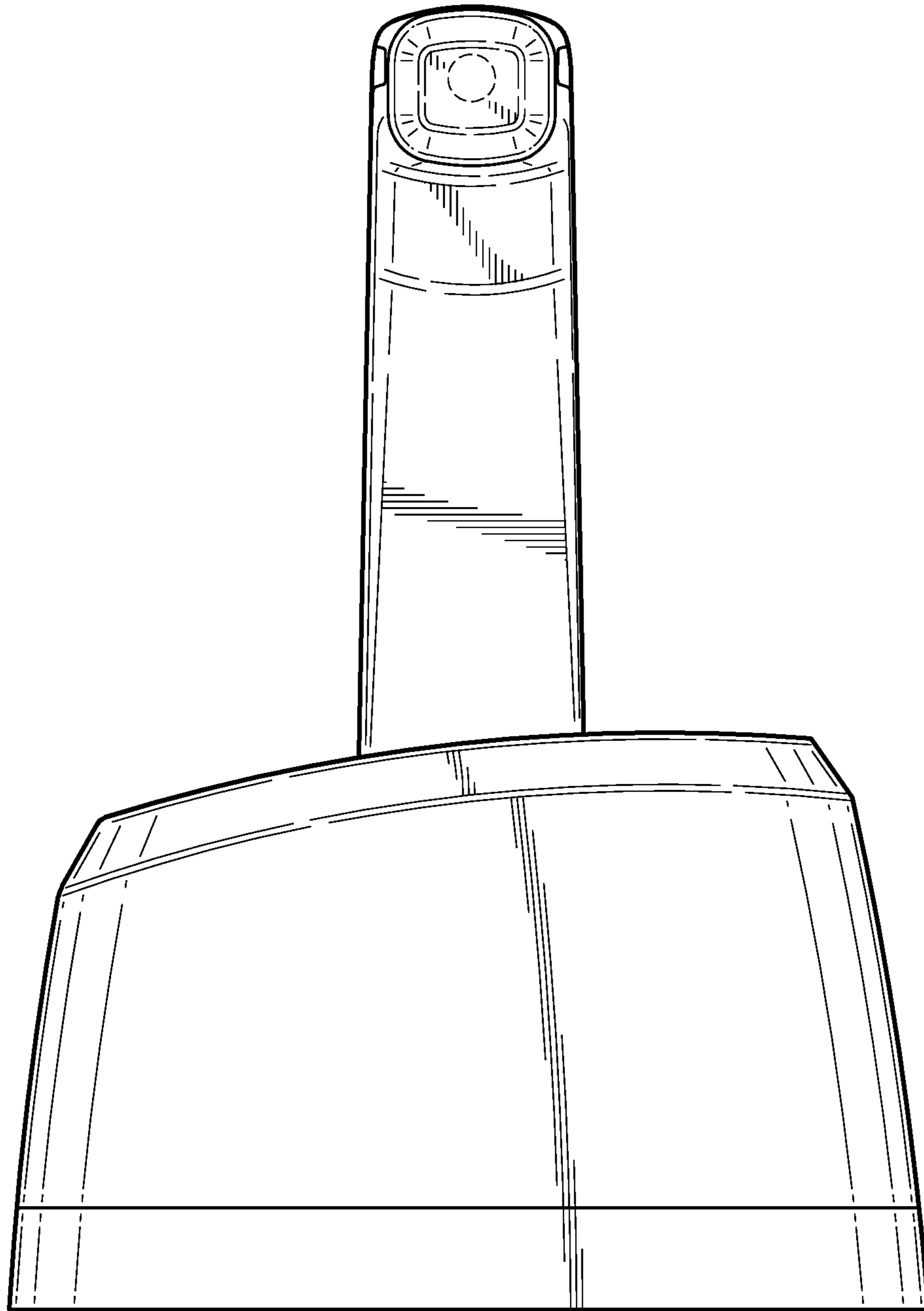


FIG. 5

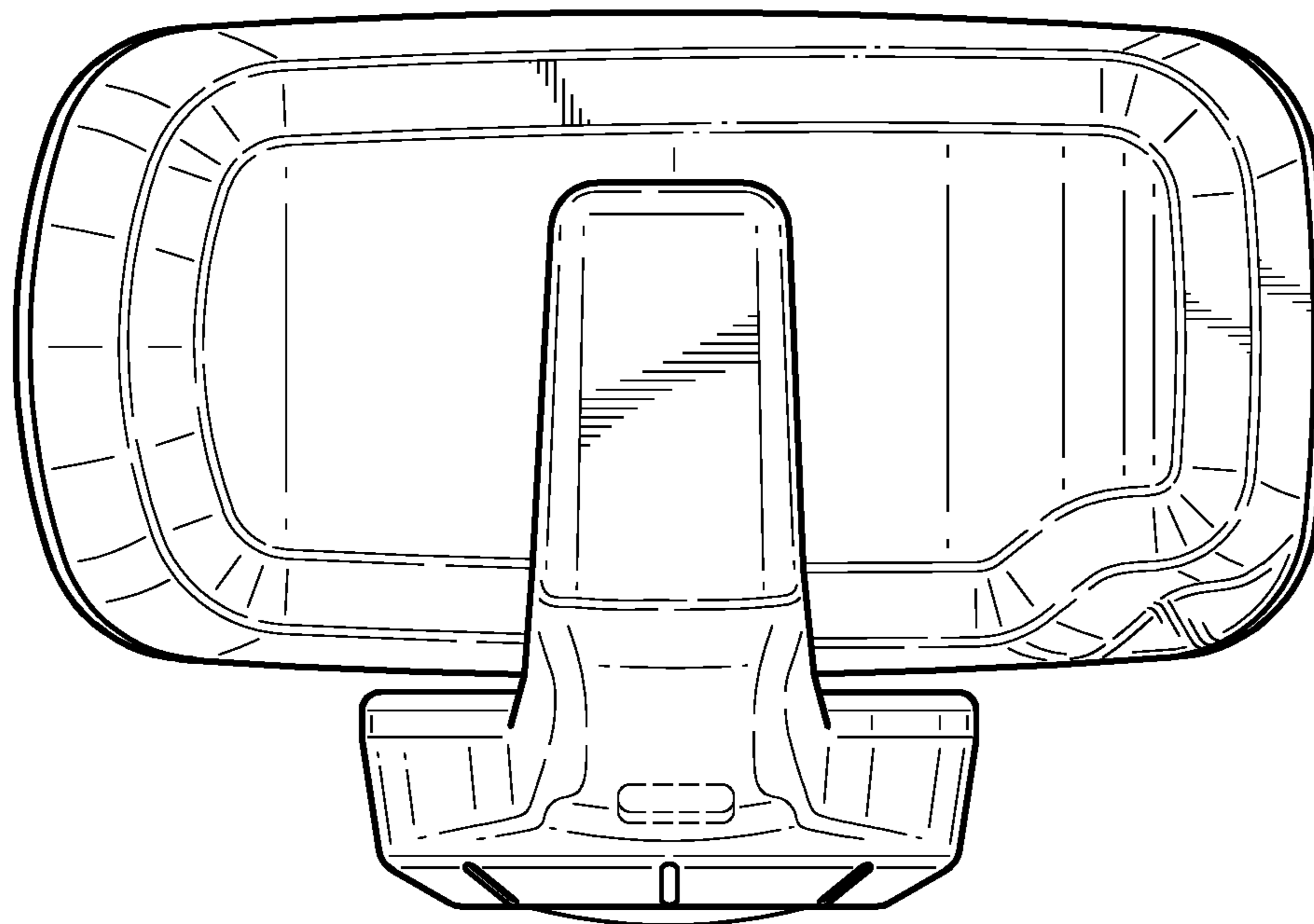


FIG. 6

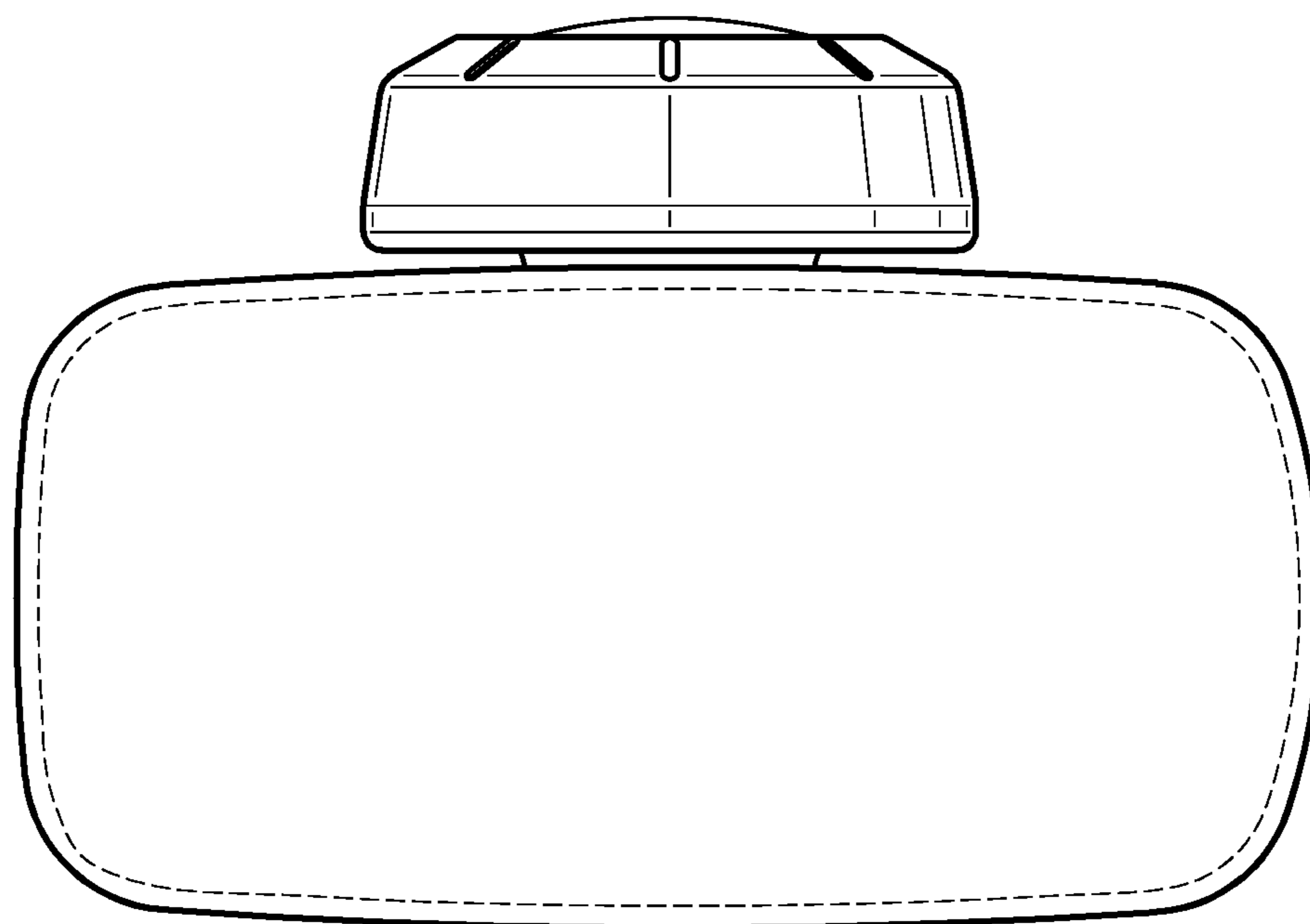


FIG. 7

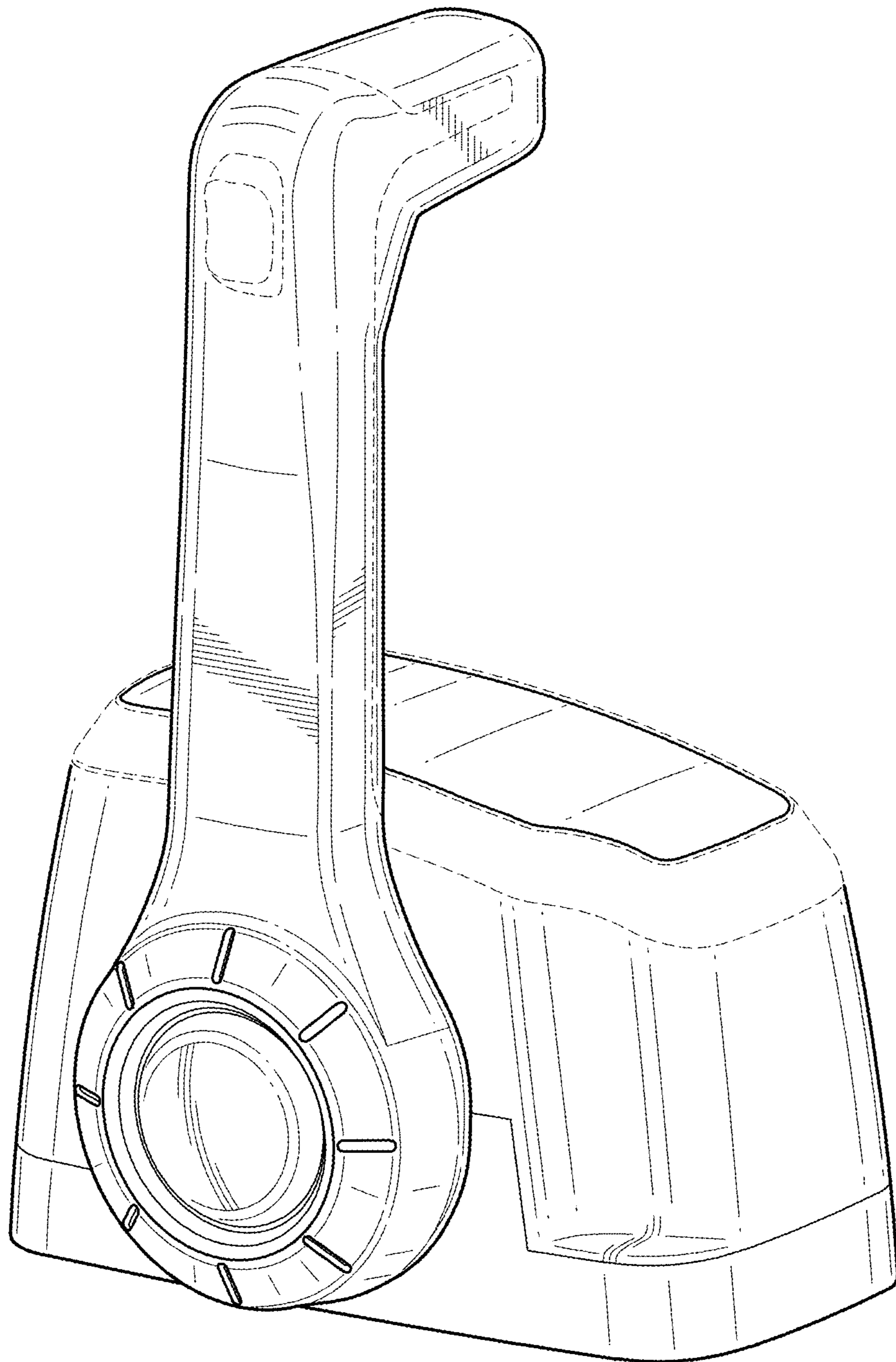


FIG. 8

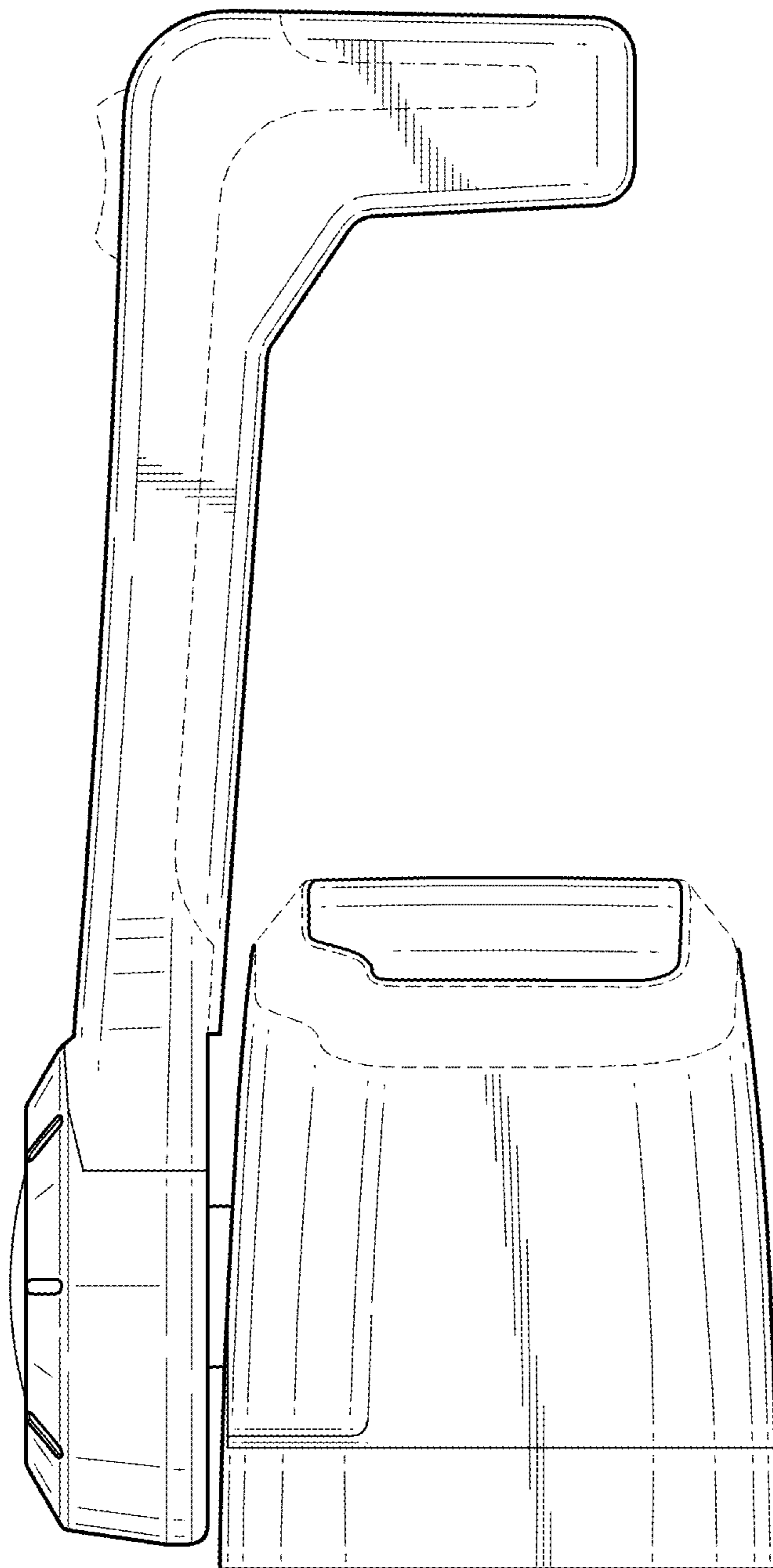


FIG. 9

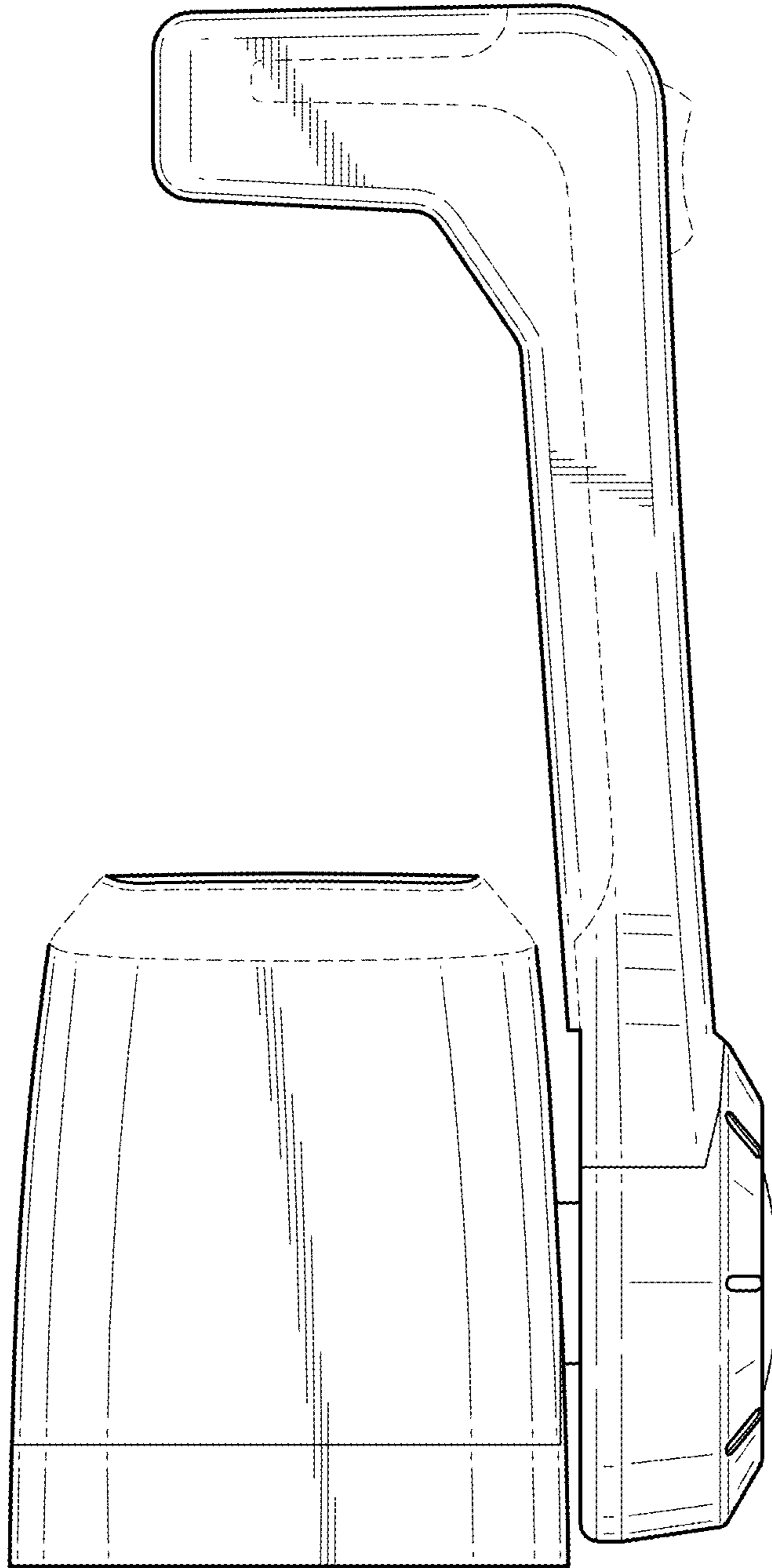


FIG. 10

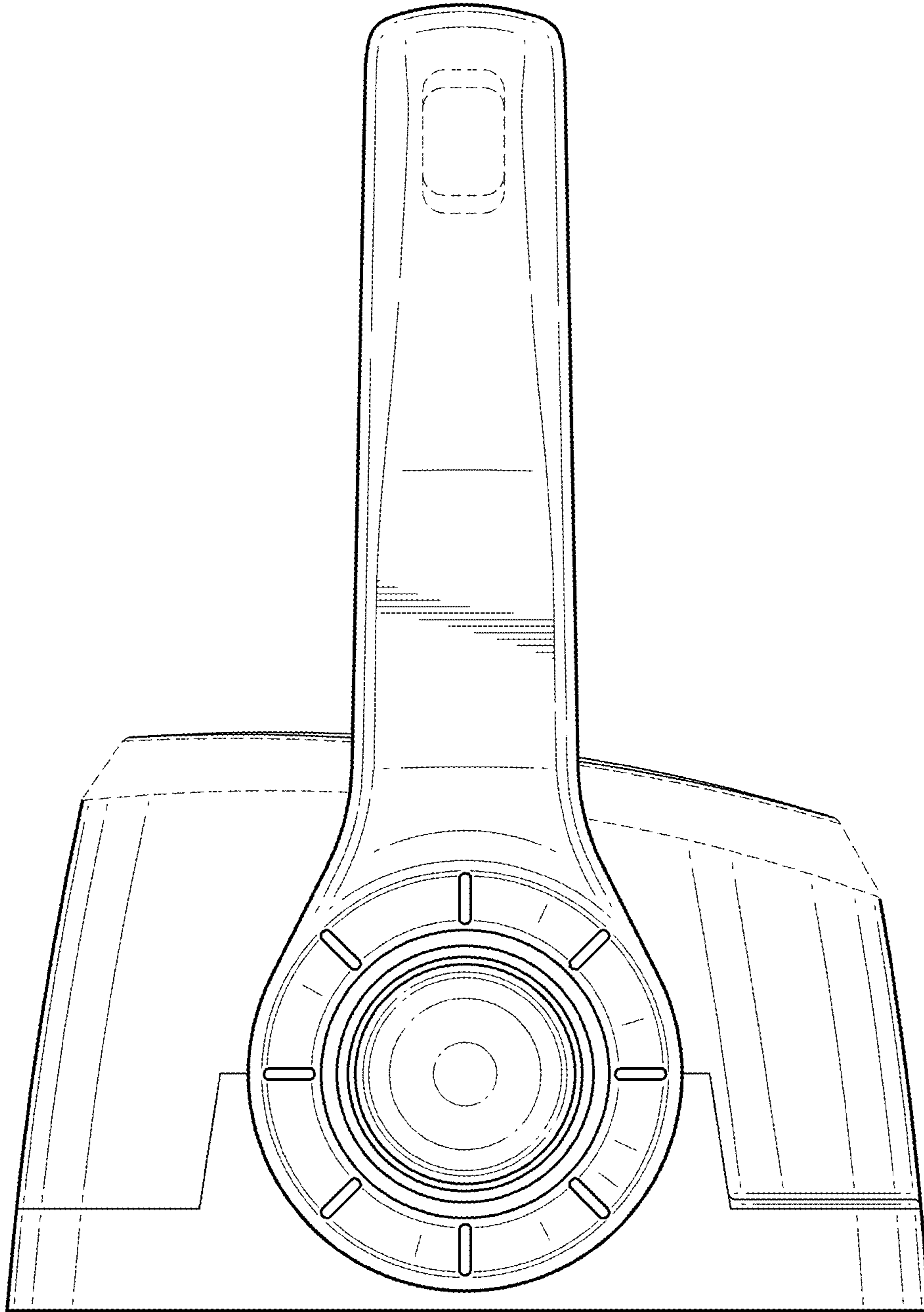


FIG. 11

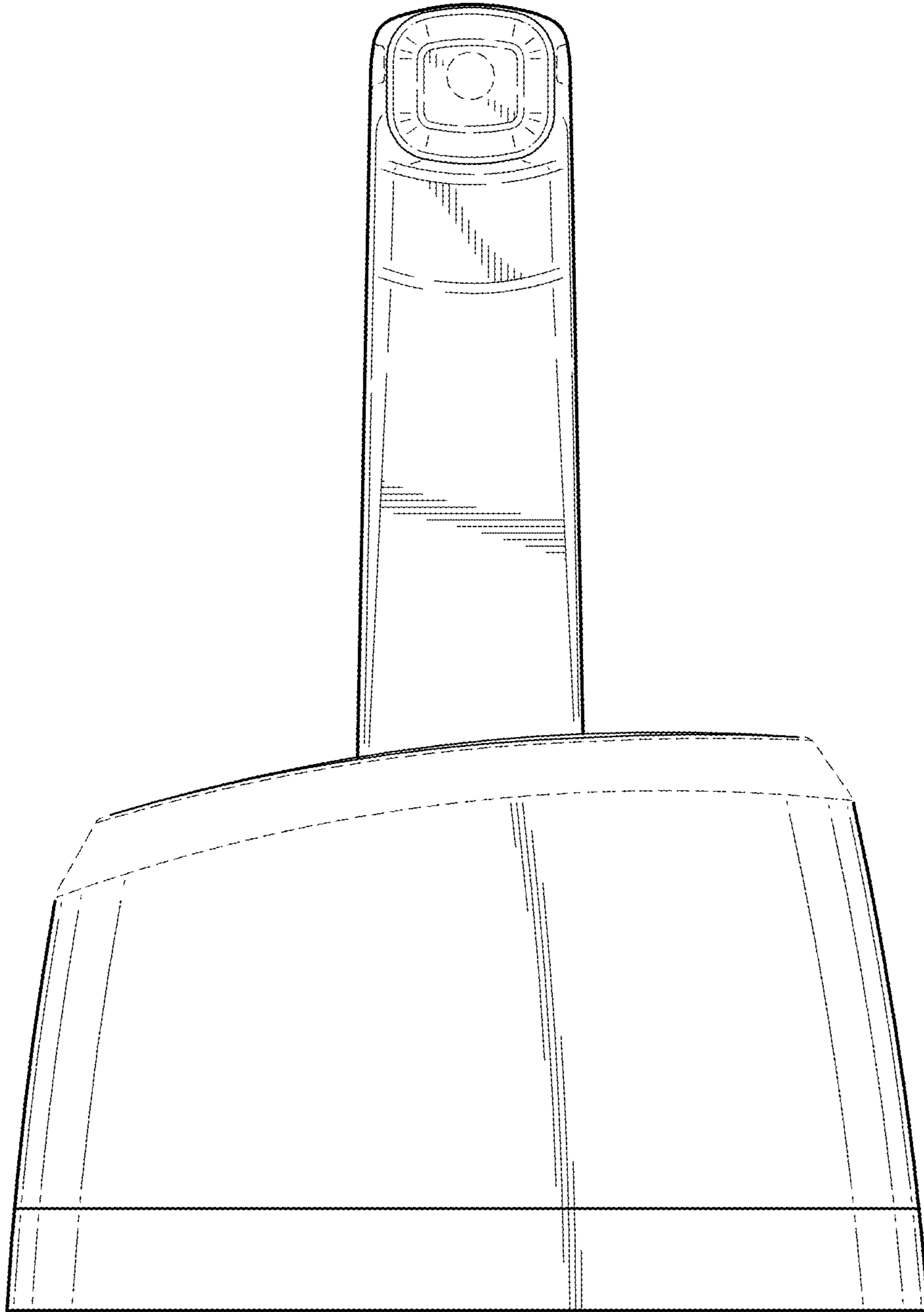


FIG. 12

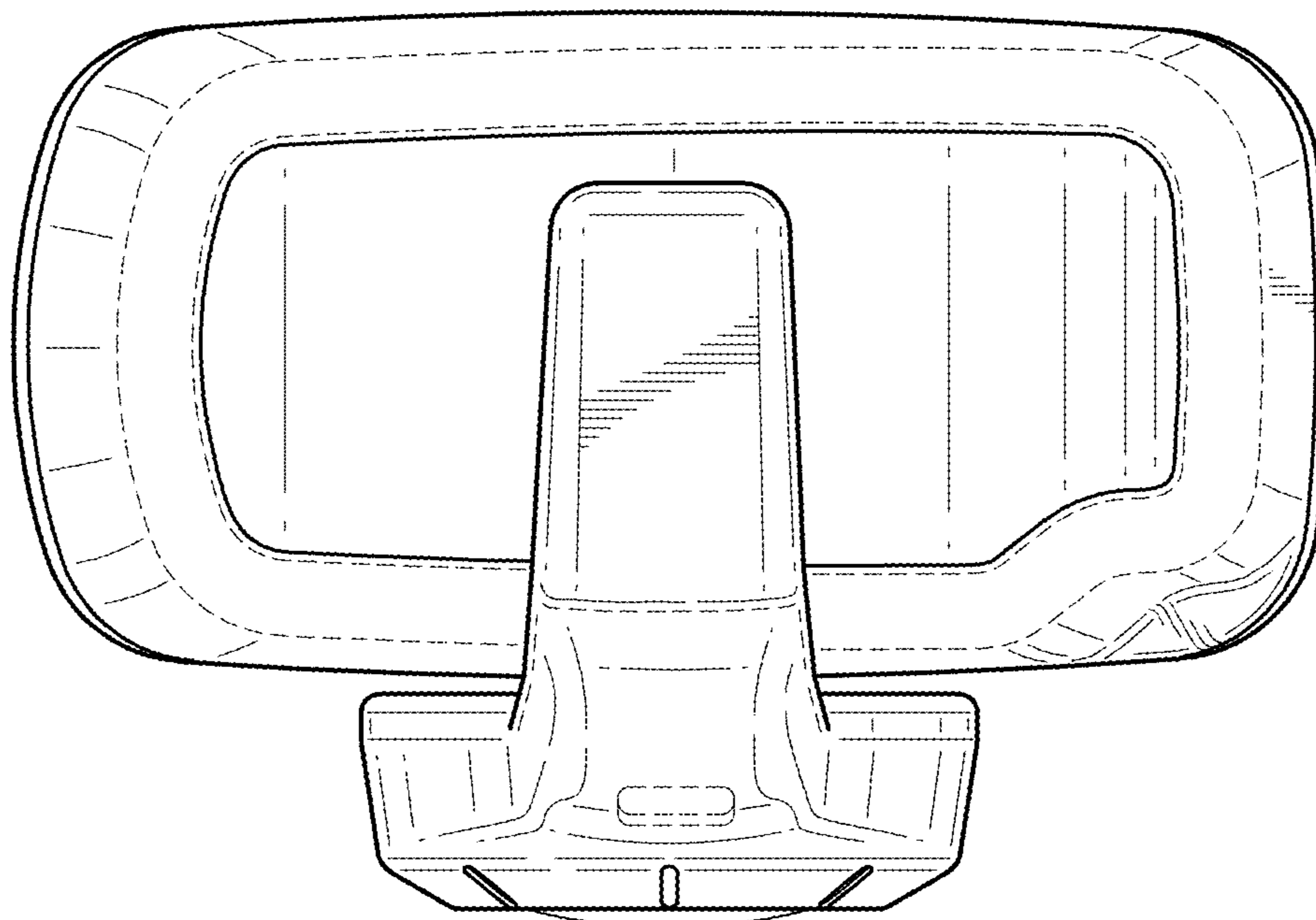


FIG. 13

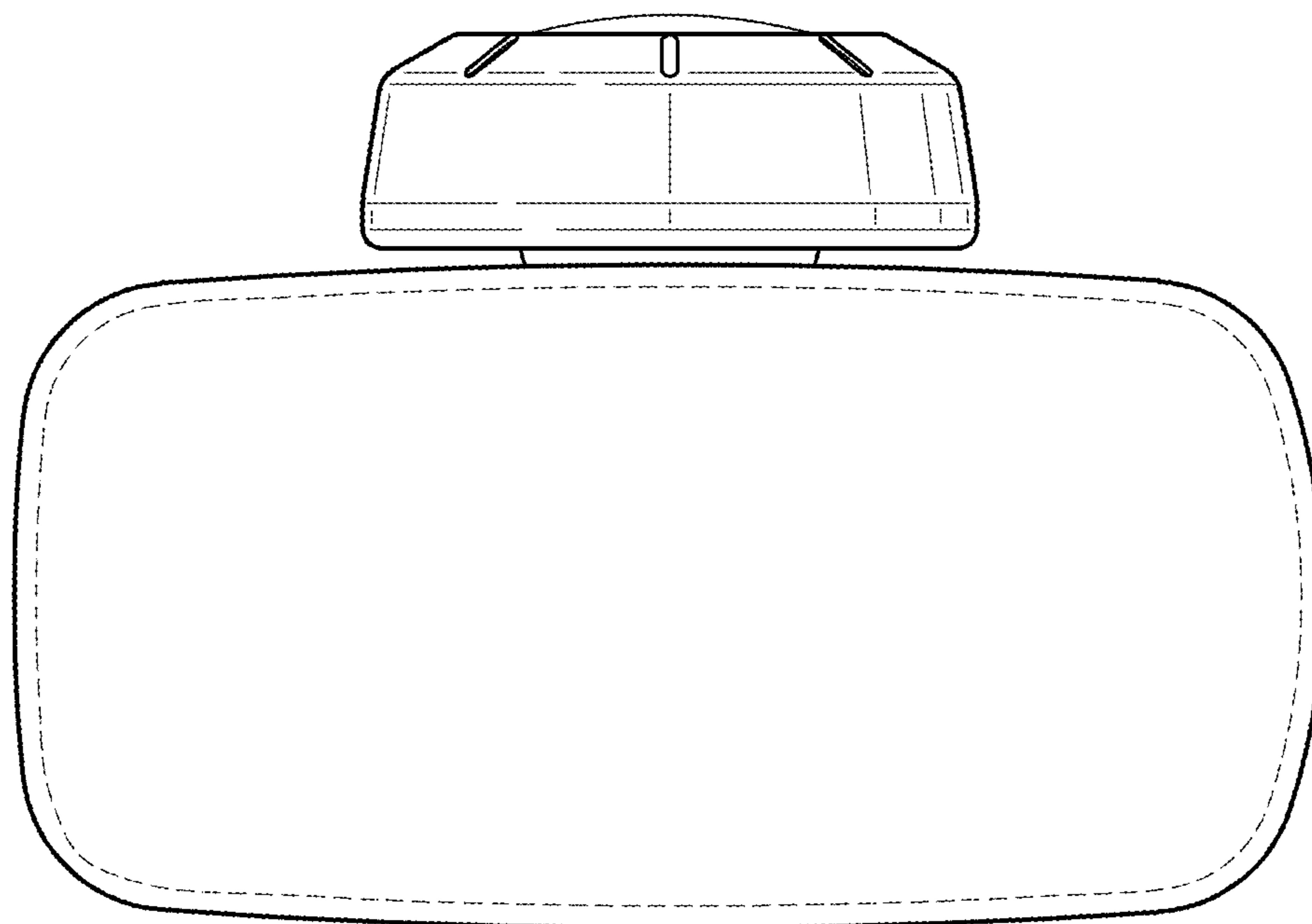


FIG. 14