



US00D888644S

(12) **United States Design Patent**
Marling

(10) **Patent No.:** **US D888,644 S**
(45) **Date of Patent:** **** Jun. 30, 2020**

(54) **VEHICLE TOW DEVICE LATCH FOR WHEELED CONTAINERS**

(71) Applicant: **Kurt D. Marling**, Janesville, WI (US)

(72) Inventor: **Kurt D. Marling**, Janesville, WI (US)

(**) Term: **15 Years**

(21) Appl. No.: **29/682,375**

(22) Filed: **Mar. 5, 2019**

(51) **LOC (12) Cl.** **12-06**

(52) **U.S. Cl.**
USPC **D12/304**

(58) **Field of Classification Search**

USPC D12/304, 100–106, 19, 219, 111, 112, D12/117, 126, 159, 160, 162, 163, 167, D12/169, 172, 400–414, 420, 414.1; D8/343–345, 349, 354, 355, 356, 367, D8/382, 400, 499, 14, 21, 305, 17, 27, D8/29, 26, 71, 107, 336, 381, 330, 331, D8/339; D21/425, 435; D34/21–26, 12, D34/16–19; 280/504, 506, 507, 511–514, 280/415.1–417.1, 477, 482, 493, 495, 280/491.3, 490.1, 490.2; 224/32–535, 224/924; 70/2, 7, 14, 19, 431, 256, 262, 70/281, 285, 288, DIG. 65, DIG. 35, 30, 70/51, 52, 57, 57.1, 141, 465, 466, 29; 292/1, 101–108, 96, 97, 256, 258, 262, 292/269, 283, 340, 293, 295, 358, 359, 292/DIG. 15, DIG. 29, DIG. 30, 289, 297, 292/259 R
CPC ... B60D 1/04; B60D 1/06; B60D 1/46; B60D 1/58; B60D 1/065; B60D 1/60; B60D 1/00; B60D 1/605; B60D 1/52; B60D 1/046; B60D 1/465; E05C 19/10; E05C 19/18; E05C 3/044; E05C 17/44; E05C 19/005; E05B 73/00; B25G 3/00; B25G 3/12

See application file for complete search history.

(56) **References Cited**

U.S. PATENT DOCUMENTS

2,698,196 A * 12/1954 Mangus E05D 15/06
292/300
D308,010 S * 5/1990 Russell D8/343
D324,166 S * 2/1992 Greco D8/331
D332,595 S * 1/1993 Randolph D12/162

(Continued)

OTHER PUBLICATIONS

Husky Towing 32333 Weight Distribution Hitch Hardware, Husky.com, [online], [site visited May 8, 2020]. <URL: <https://www.huskytow.com/husky-towing-32333-weight-distribution-hitch-hardware>> (Year: 2020).*

(Continued)

Primary Examiner — T Chase Nelson

Assistant Examiner — Jonathan J. Han

(74) *Attorney, Agent, or Firm* — Donald J. Ersler

(57) **CLAIM**

The ornamental design for a vehicle tow device latch for wheeled containers, as shown and described.

DESCRIPTION

FIG. 1 is a perspective view of a vehicle tow device latch for wheeled containers incorporating my new design;

FIG. 2 is a rear elevation view thereof;

FIG. 3 is a left side view thereof;

FIG. 4 is a front elevation view thereof;

FIG. 5 is a right side view thereof;

FIG. 6 is a top plan view thereof;

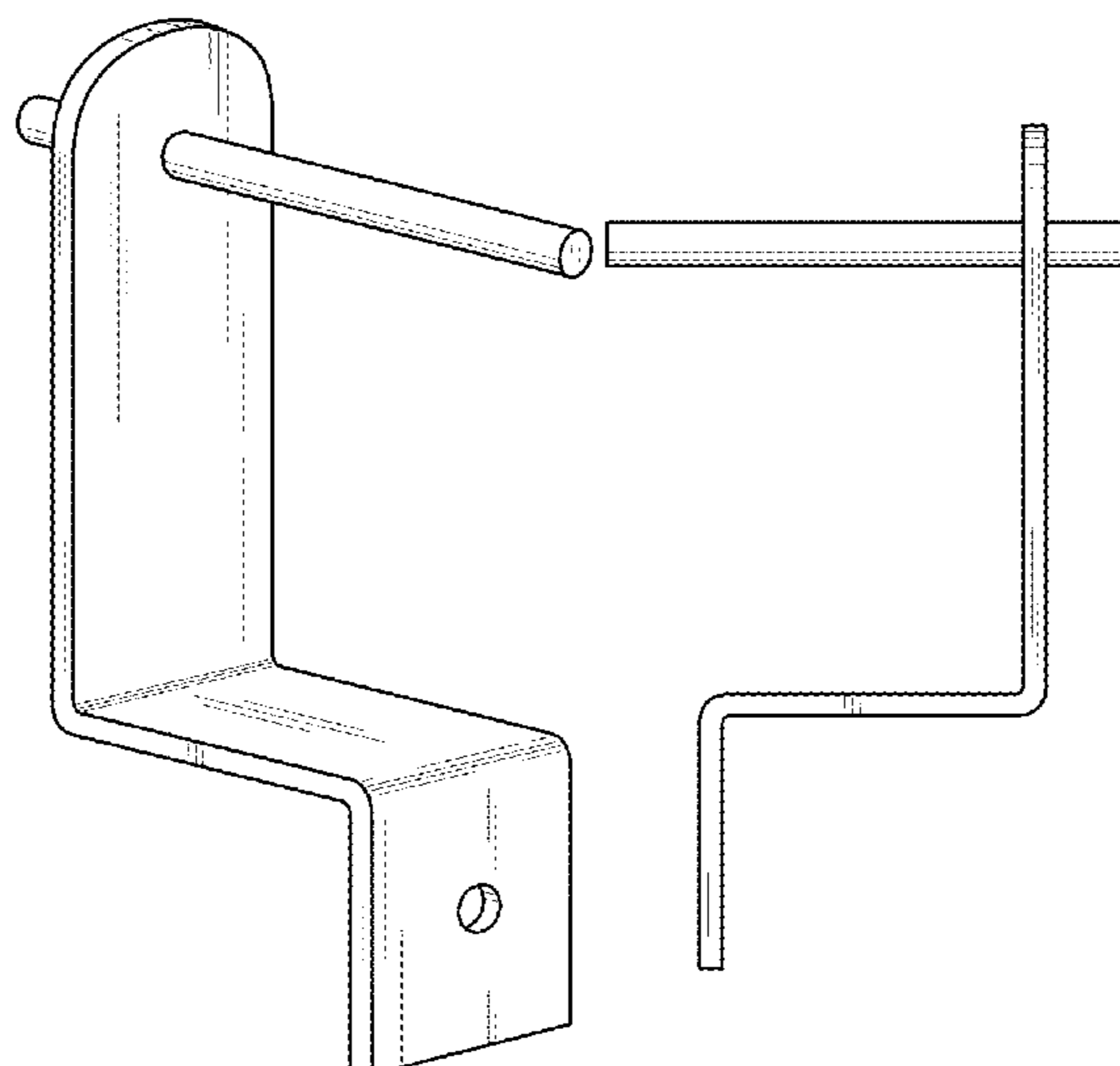
FIG. 7 is a bottom plan view thereof;

FIG. 8 is a perspective view of FIG. 1 shown in use in an environment; and,

FIG. 9 is a left side view of FIG. 3 shown in use in an environment.

The broken lines shown in the drawings illustrate environment and forms no part of the claimed design.

1 Claim, 8 Drawing Sheets



(56)

References Cited

U.S. PATENT DOCUMENTS

D344,668 S * 3/1994 Nicholoulas D8/331
 D396,794 S * 8/1998 Francom D8/336
 D439,822 S * 4/2001 Webber D8/331
 D469,723 S * 2/2003 McCoy D12/162
 D481,293 S * 10/2003 Ayrest D8/331
 D494,454 S * 8/2004 Klein D8/373
 7,252,274 B1 * 8/2007 Brannen A47J 45/02
 7,419,177 B2 * 9/2008 Kottke B60D 1/36
 280/511
 D609,551 S * 2/2010 Gibbs D8/331
 D610,901 S * 3/2010 Jones D8/394
 7,793,967 B2 * 9/2010 McConnell B60D 1/54
 224/496
 D632,624 S * 2/2011 Tezak D12/195
 D762,445 S * 8/2016 Thomson D8/331
 D770,253 S * 11/2016 Huang D8/52
 9,522,581 B2 * 12/2016 Scharmuller B60D 1/02
 D779,381 S * 2/2017 King D12/106
 D779,382 S * 2/2017 King D12/106
 D779,383 S * 2/2017 King D12/106
 9,738,124 B1 * 8/2017 Verheul B60D 1/06
 9,789,741 B1 10/2017 Marling

D818,796 S * 5/2018 Huang D8/331
 D859,956 S * 9/2019 McNaughton D8/307
 D870,542 S * 12/2019 Gibson D8/380
 D876,210 S * 2/2020 Arnall D8/380
 D877,595 S * 3/2020 Harrison D8/331
 D880,980 S * 4/2020 Harrison D8/331
 D882,381 S * 4/2020 Bartos D8/380
 2005/0225054 A1 * 10/2005 Budge B60D 1/06
 280/507
 2007/0096428 A1 * 5/2007 Miles B60D 1/46
 280/490.1
 2010/0201100 A1 * 8/2010 Hill B60D 1/02
 280/477

OTHER PUBLICATIONS

Reese—Ball Mount Drawbar Kit 3/4" Ball Hole 7" Length x 5/8" Rise x 1-1/4" Drop, WestMarine.com, [online], [site visited May 8, 2020]. <URL: <https://www.westmarine.com/buy/reese--ball-mount-drawbar-kit-3-4-ball-hole-7-length-x-5-8-rise-x-1-1-4-drop--15080914>> (Year: 2020).*

Genuine Mopar Tow Hitch Ball Mount Adapter Vertical Mounted, All MoparParts.com, [online], [site visited May 8, 2020]. <URL: <https://www.allmoparparts.com/sku/82213552.html>> (Year: 2020).*

* cited by examiner

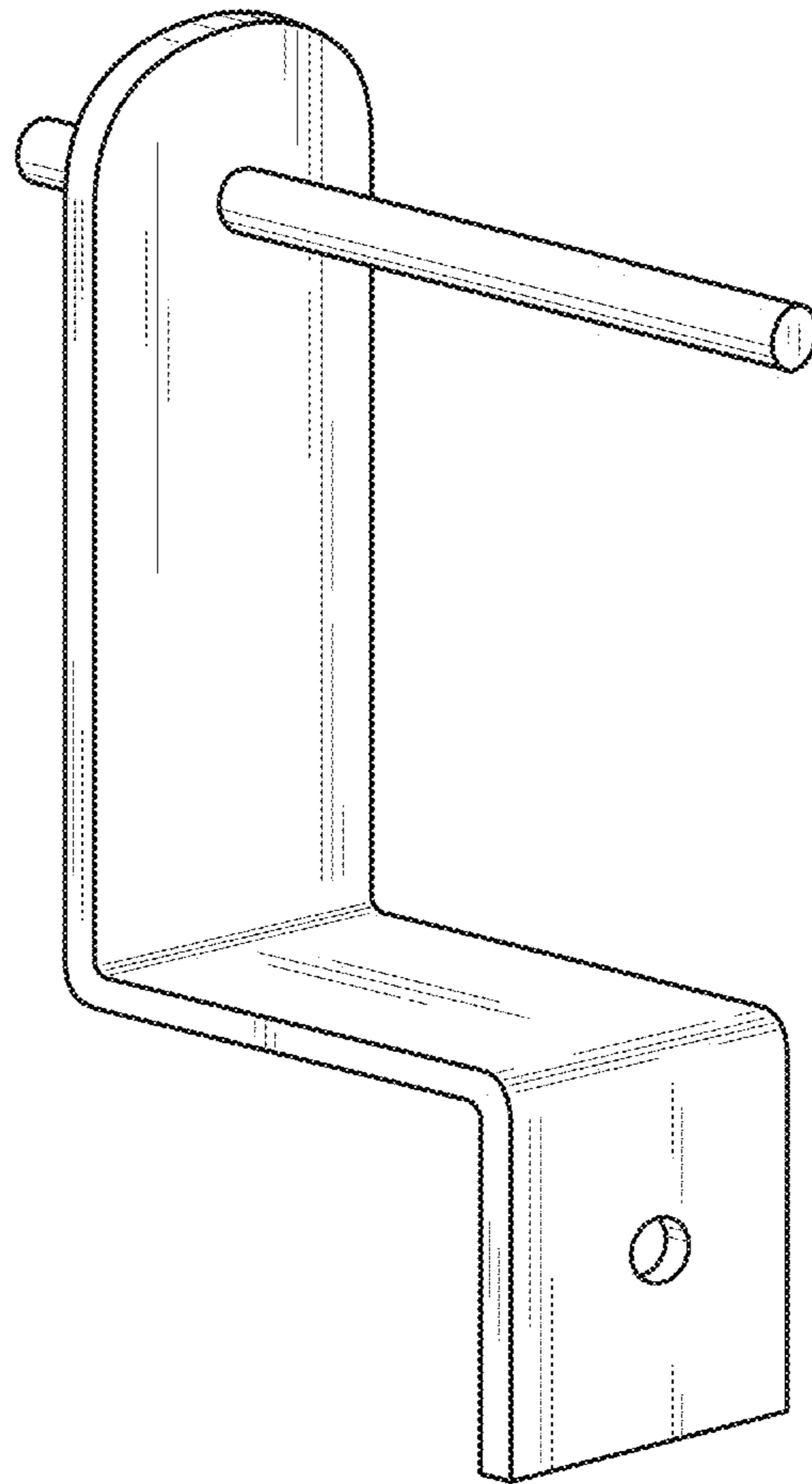


FIG. 1

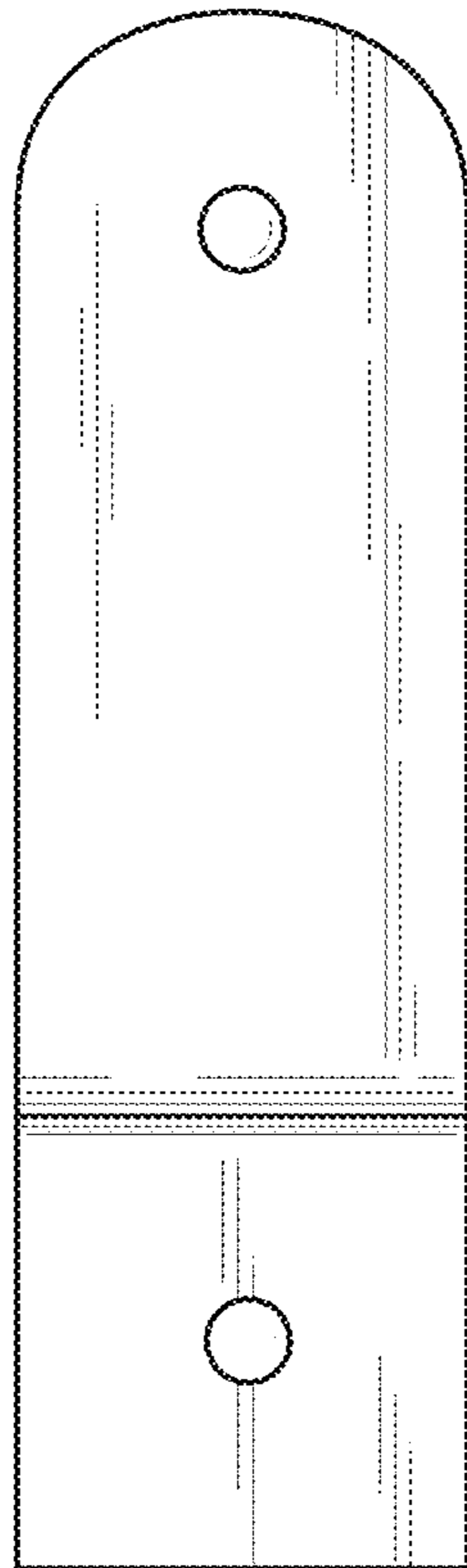


FIG. 2

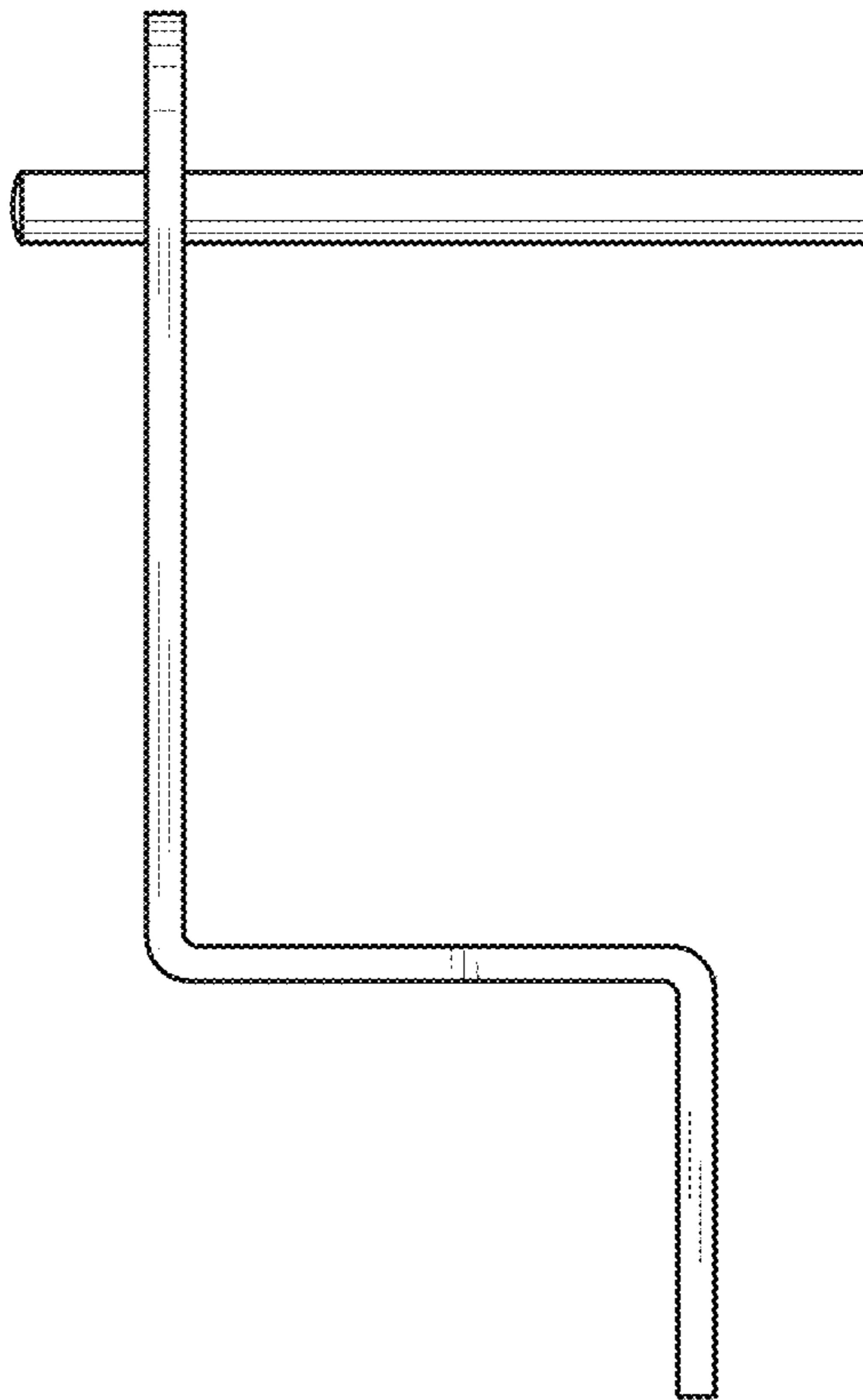


FIG. 3

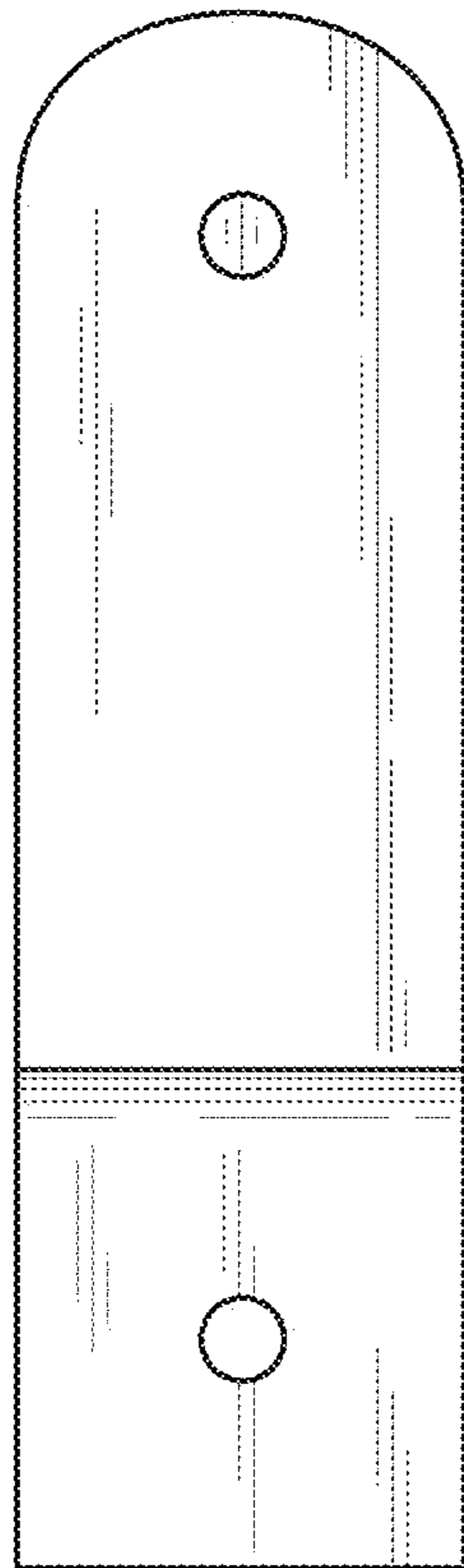


FIG. 4

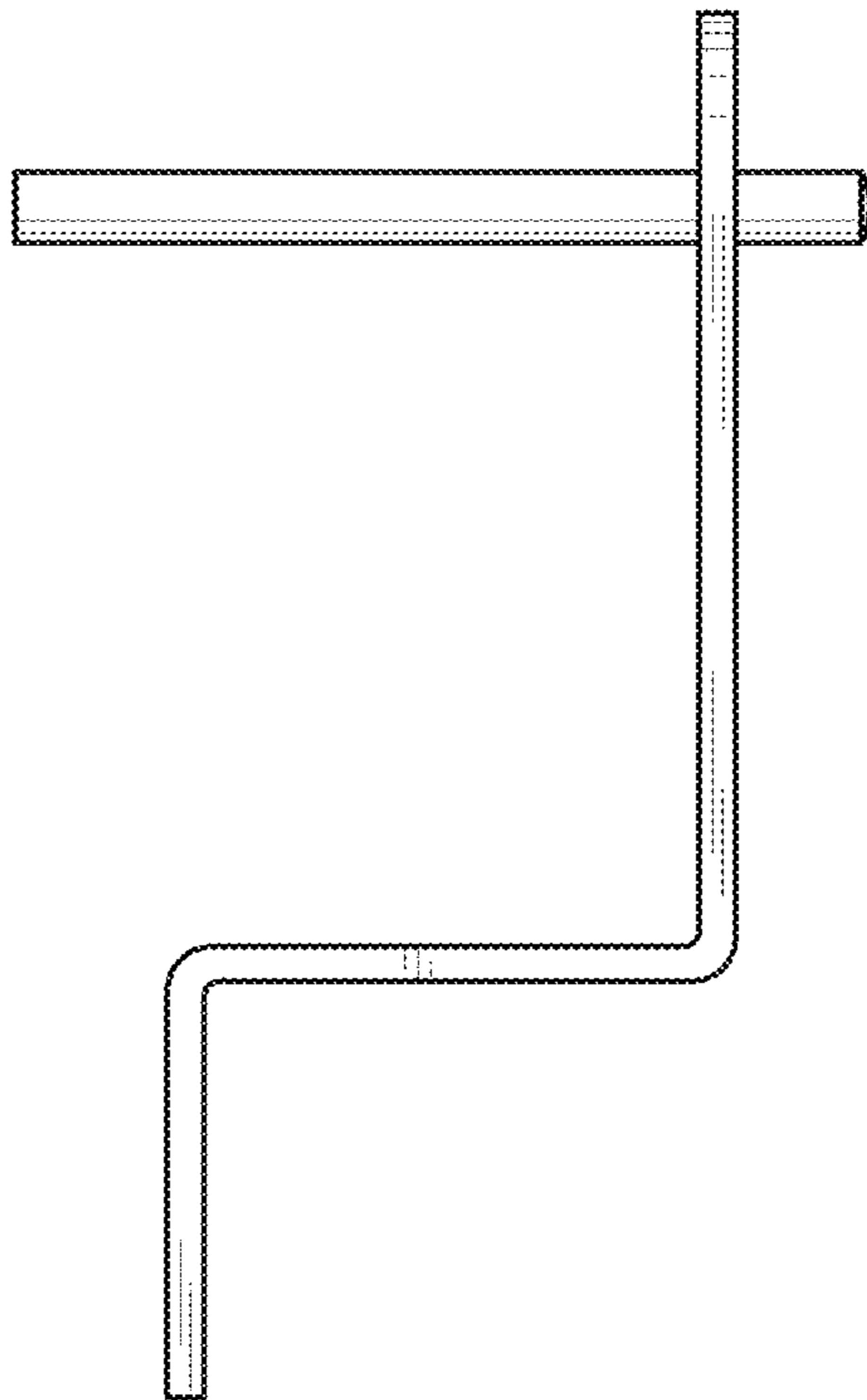


FIG. 5

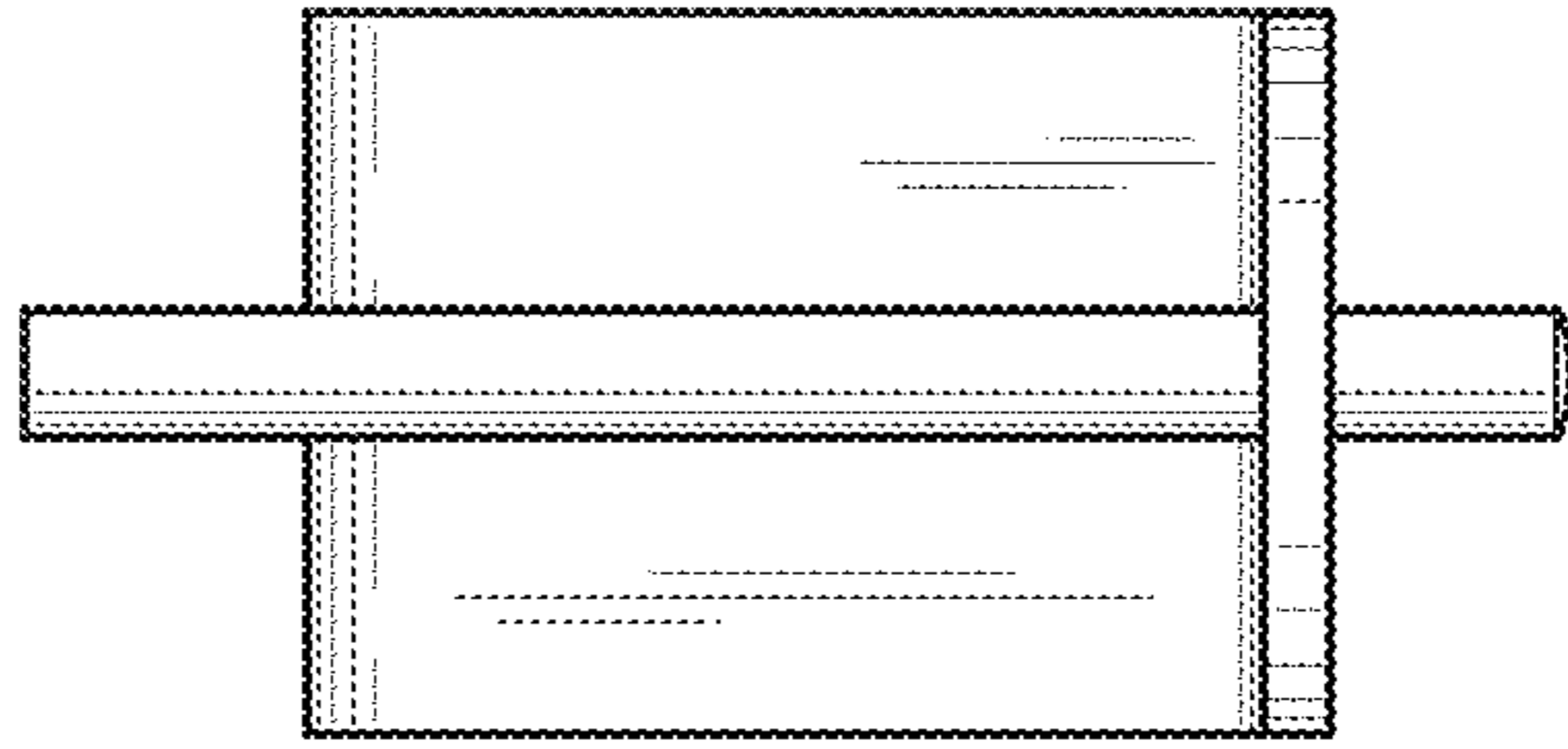


FIG. 6

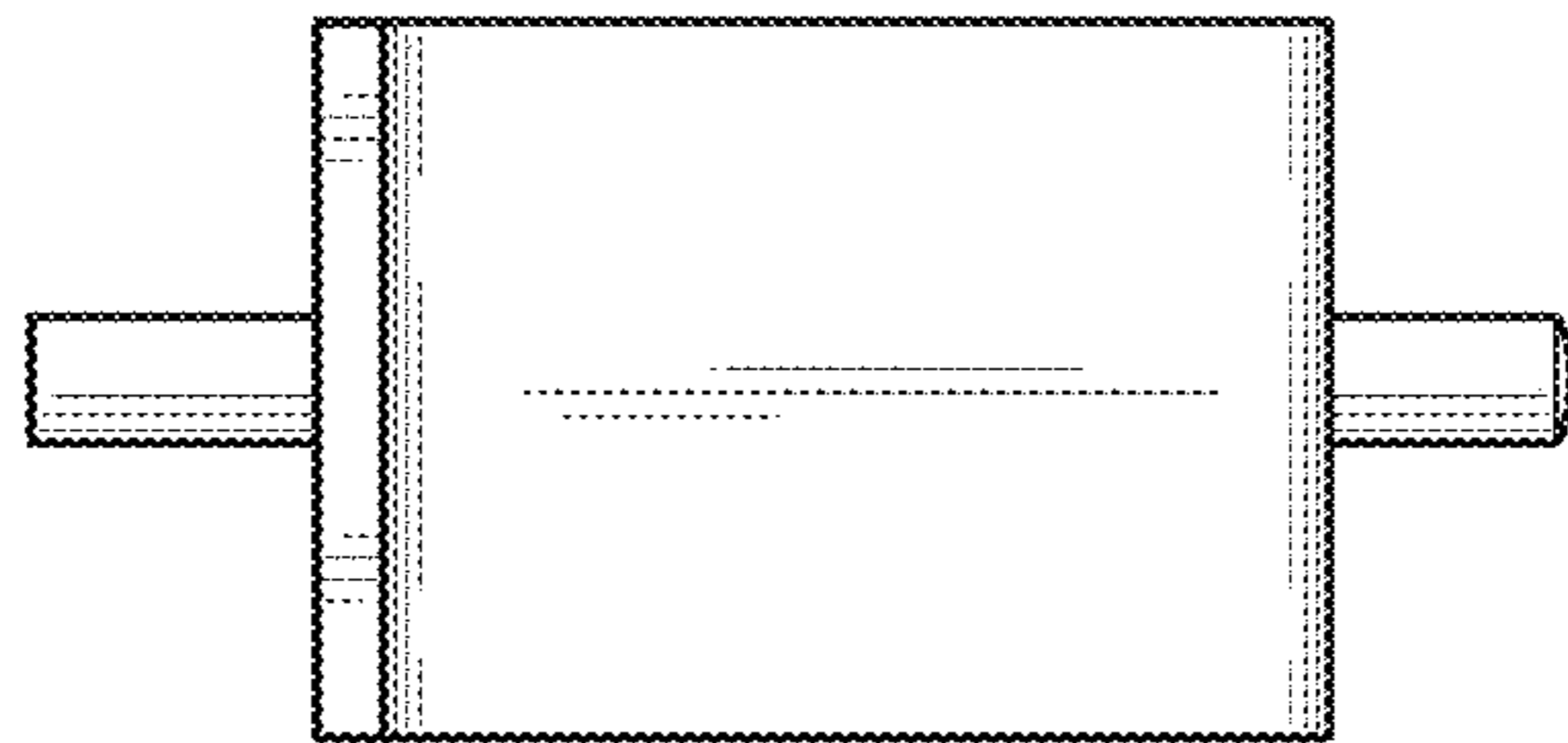


FIG. 7

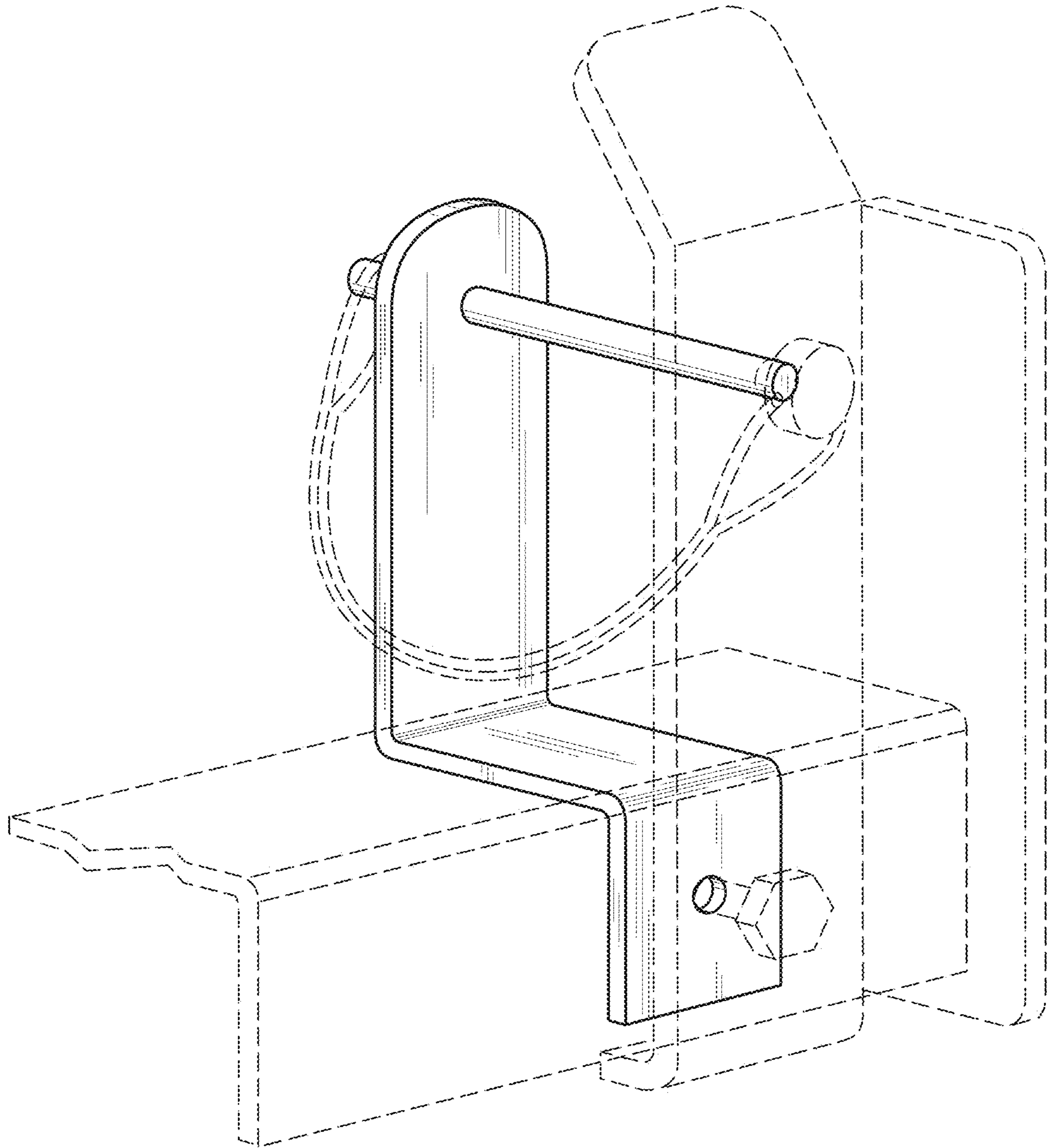


FIG. 8

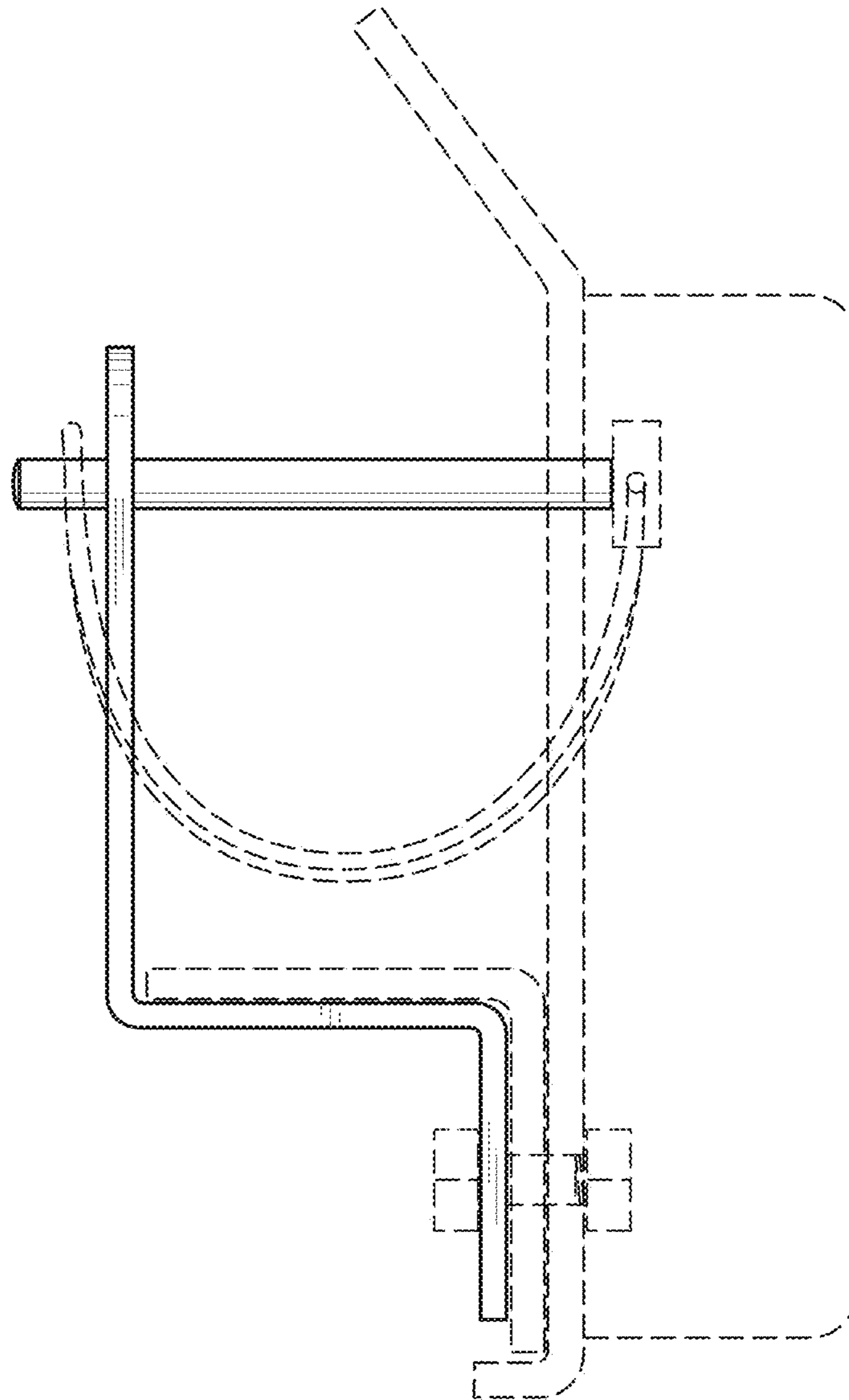


FIG. 9