



US00D888641S

(12) **United States Design Patent**
Scott et al.

(10) **Patent No.:** **US D888,641 S**
(45) **Date of Patent:** **** Jun. 30, 2020**

(54) **WHEEL**

(71) Applicants: **Everard J. Scott**, Sterling Heights, MI (US); **Gregory A. Howell**, Farmington, MI (US)

(72) Inventors: **Everard J. Scott**, Sterling Heights, MI (US); **Gregory A. Howell**, Farmington, MI (US)

(73) Assignee: **FCA US LLC**, Auburn Hills, MI (US)

(**) Term: **15 Years**

(21) Appl. No.: **29/679,562**

(22) Filed: **Feb. 7, 2019**

(51) **LOC (12) Cl.** **12-16**

(52) **U.S. Cl.**
USPC **D12/209**

(58) **Field of Classification Search**
USPC D12/204–213; D21/563
CPC B60B 7/00; B60B 7/02; B60B 7/04; B60B 7/01; B60B 7/06; B60B 3/02; B60B 3/04; B60B 3/06; B60B 3/10; B60B 1/00; B60B 1/08; B60B 1/10; B60B 1/12
See application file for complete search history.

(56) **References Cited**

U.S. PATENT DOCUMENTS

D436,907 S *	1/2001	Ong	D12/209
D438,165 S *	2/2001	Echazabal	D12/211
D450,026 S *	11/2001	Donikoglu	D12/209
D491,128 S *	6/2004	Hall	D12/211
D495,649 S *	9/2004	Schell	D12/209
D501,440 S *	2/2005	Pfeiffer	D12/211
D505,102 S *	5/2005	Cahyono	D12/209
D524,215 S *	7/2006	Guevara	D12/211
D524,219 S *	7/2006	Scheu	D12/211
D577,323 S *	9/2008	Chung	D12/211

D579,848 S *	11/2008	Kim	D12/211
D614,109 S *	4/2010	Tant	D12/211
D614,111 S *	4/2010	Tant	D12/211
D684,518 S *	6/2013	Zhao	D12/211
D690,248 S *	9/2013	Bildhaeuser	D12/209
D705,713 S *	5/2014	Wagener	D12/209
D706,695 S *	6/2014	Platto	D12/209
D706,699 S *	6/2014	Platto	D12/211
D706,700 S *	6/2014	Platto	D12/211
D708,108 S *	7/2014	Wheel	D12/209
D708,111 S *	7/2014	Platto	D12/211
D715,208 S *	10/2014	Grake	D12/204
D716,213 S *	10/2014	Zhang	D12/211
D736,130 S *	8/2015	Wheel	D12/209
D763,771 S *	8/2016	Johnson	D12/211
D775,047 S *	12/2016	Wheel	D12/211
D782,950 S *	4/2017	Hatton	D12/209
D798,789 S *	10/2017	Kong	D12/211
D803,136 S *	11/2017	Platto	D12/211
D827,541 S *	9/2018	Bucher	D12/209
D841,555 S *	2/2019	Ma	D12/209
D852,110 S *	6/2019	Guidry	D12/211
D856,245 S *	8/2019	Hale, Jr.	D12/209
D861,564 S *	10/2019	Dewitt	D12/209
D866,433 S *	11/2019	Akasawa	D12/209

* cited by examiner

Primary Examiner — Stacia A Cadmus

(74) *Attorney, Agent, or Firm* — Ralph E. Smith

(57) **CLAIM**

The ornamental design for a wheel, as shown and described.

DESCRIPTION

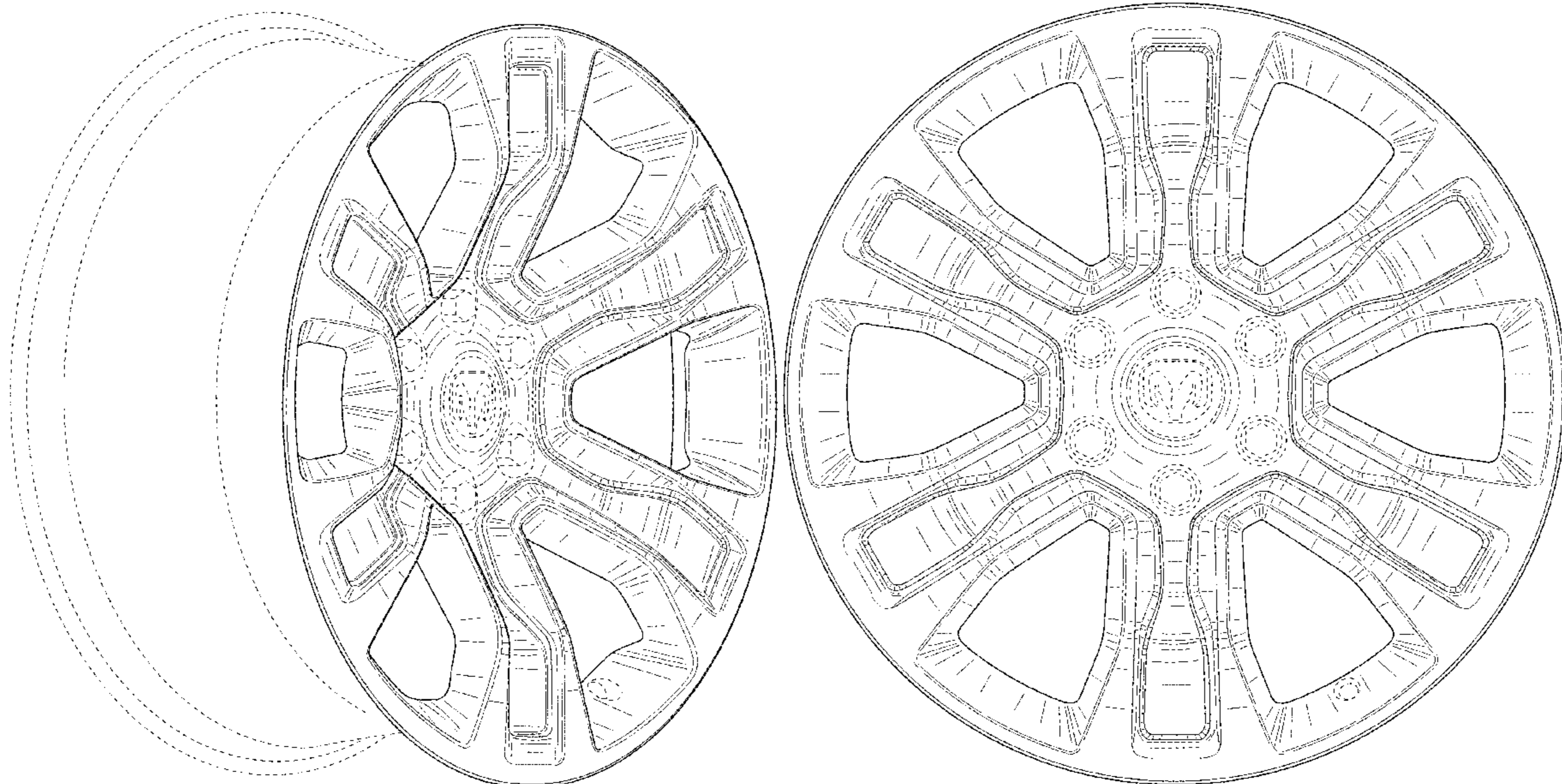
FIG. 1 is a left perspective view of a wheel showing our new design;

FIG. 2 is a right perspective view thereof; and,

FIG. 3 is a front view thereof.

It will be understood that the broken lines shown in the drawings illustrate portions of the wheel that form no part of the claimed design.

1 Claim, 3 Drawing Sheets



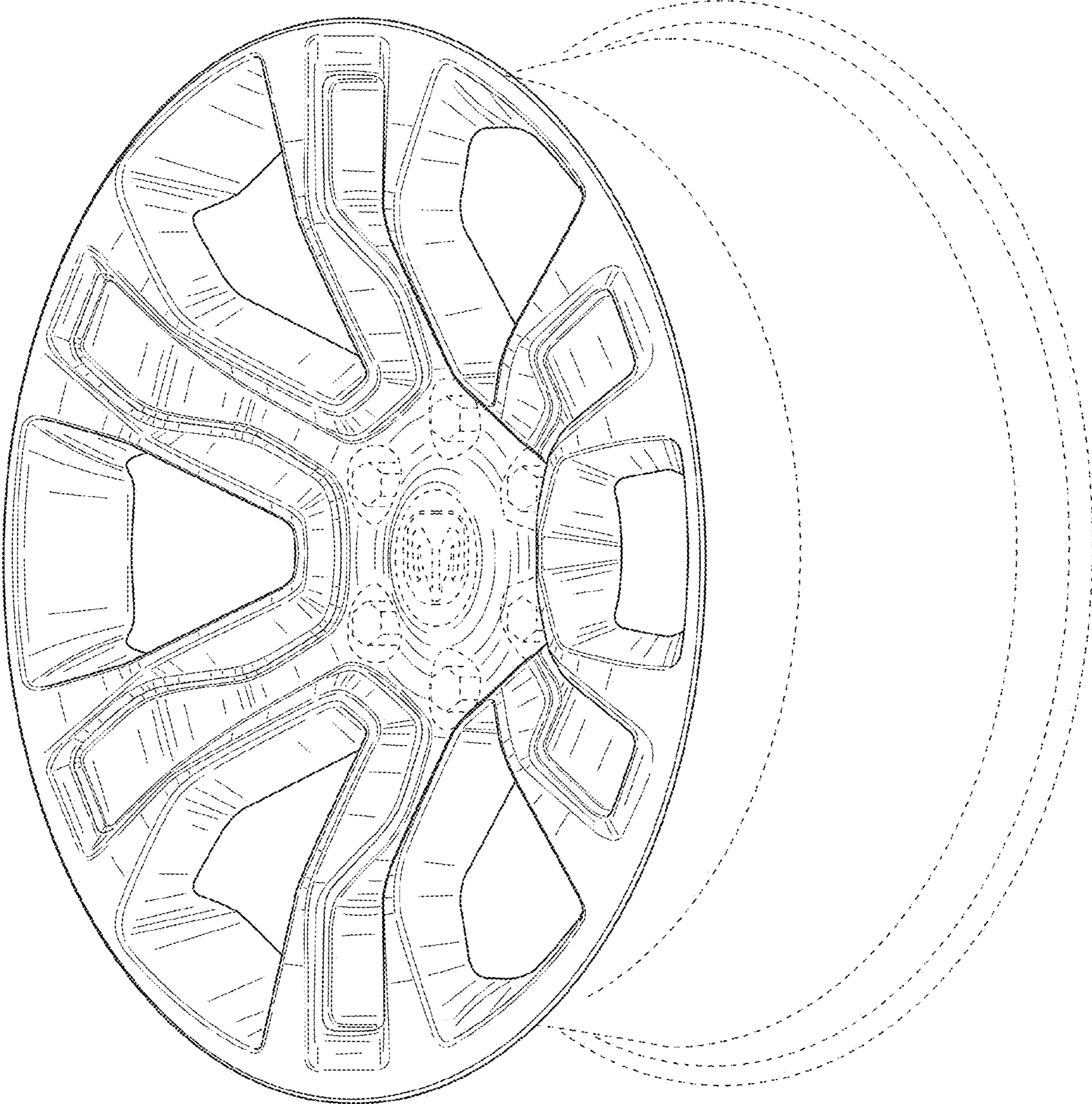


FIG. 1

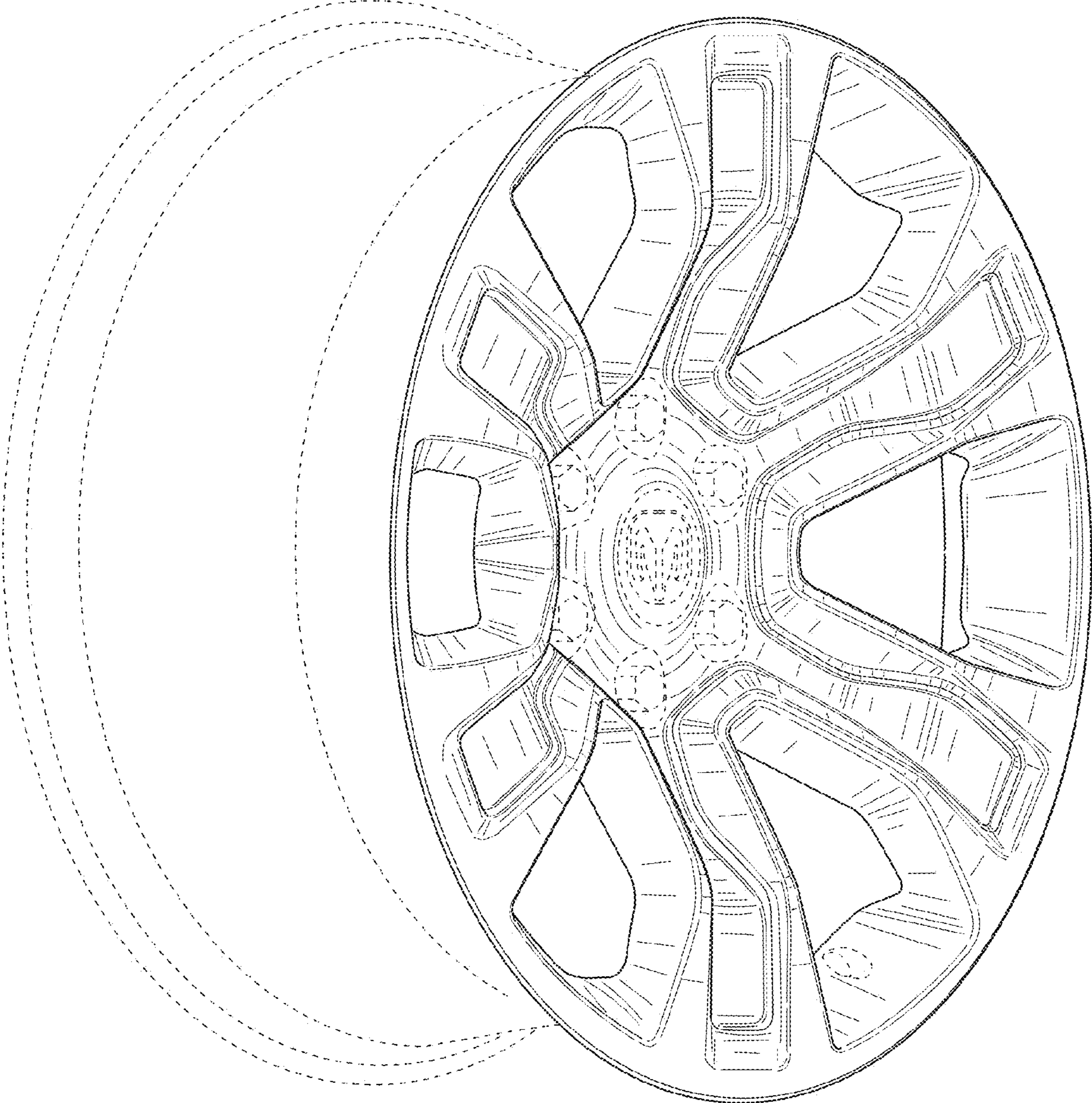


FIG. 2

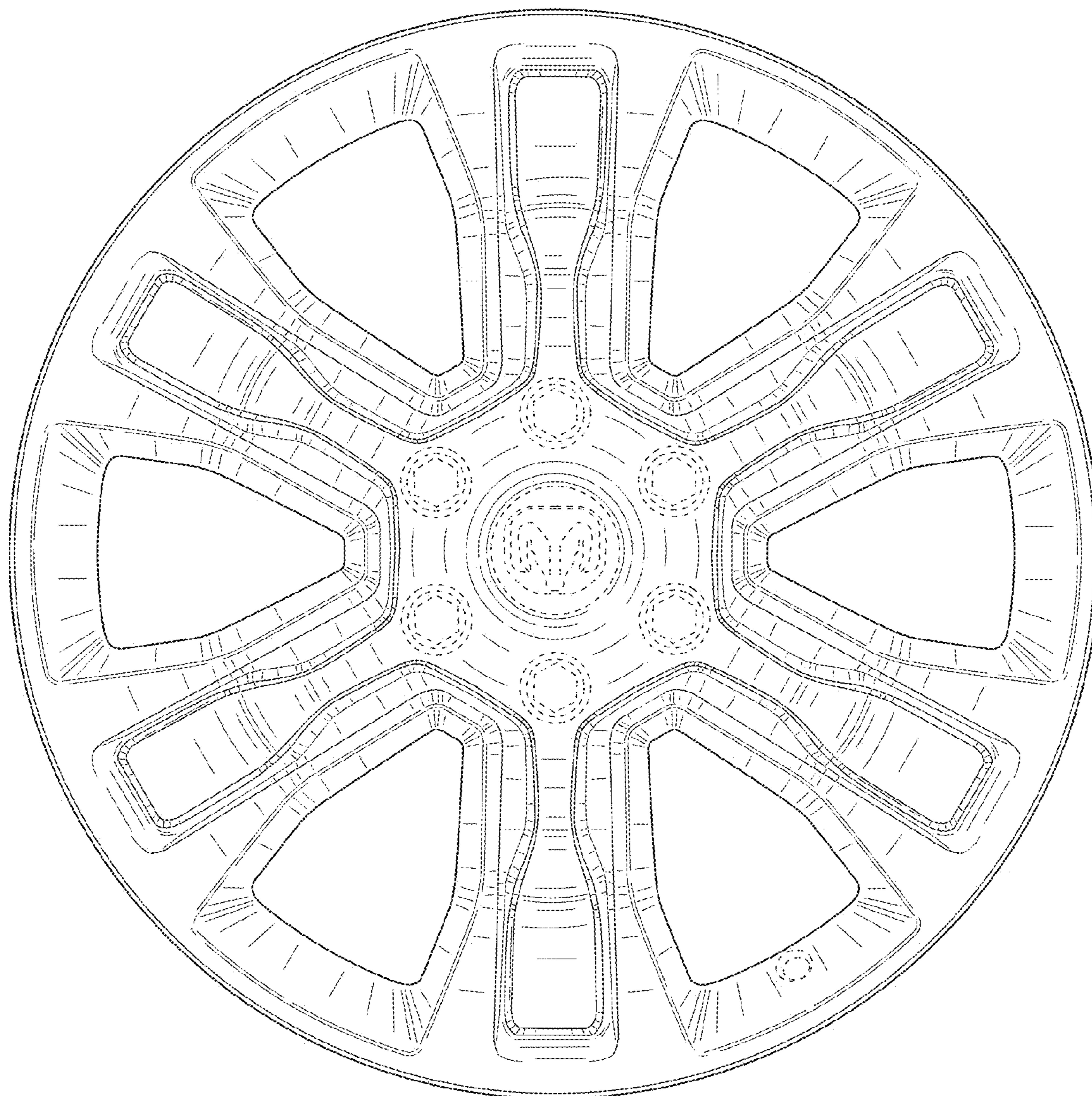


FIG. 3