



US00D888640S

(12) **United States Design Patent**
Hough et al.

(10) **Patent No.:** **US D888,640 S**

(45) **Date of Patent:** **** Jun. 30, 2020**

(54) **WHEEL**

(71) Applicants: **Young Jin Hough**, Royal Oak, MI (US); **Irina Zavatski**, Rochester Hills, MI (US); **Mark T. Allen**, Oxford, MI (US)

(72) Inventors: **Young Jin Hough**, Royal Oak, MI (US); **Irina Zavatski**, Rochester Hills, MI (US); **Mark T. Allen**, Oxford, MI (US)

(73) Assignee: **FCA US LLC**, Auburn Hills, MI (US)

(**) Term: **15 Years**

(21) Appl. No.: **29/679,551**

(22) Filed: **Feb. 7, 2019**

(51) **LOC (12) Cl.** **12-16**

(52) **U.S. Cl.**
USPC **D12/209; D21/563**

(58) **Field of Classification Search**
USPC D12/204–213; D21/563
CPC B60B 7/00; B60B 7/02; B60B 7/04; B60B 7/01; B60B 7/06; B60B 3/02; B60B 3/04; B60B 3/06; B60B 3/10; B60B 1/00; B60B 1/08; B60B 1/10; B60B 1/12
See application file for complete search history.

(56) **References Cited**

U.S. PATENT DOCUMENTS

D449,266 S * 10/2001 Afzal D12/209
D477,557 S * 7/2003 Iacovelli D12/211

D596,552 S * 7/2009 Beermann D12/211
D658,560 S * 5/2012 Thurner D12/209
D688,185 S * 8/2013 Baum D12/209
D697,016 S * 1/2014 Gonser D12/211
D704,119 S * 5/2014 Platto D12/209
D705,153 S * 5/2014 Hall D12/209
D715,723 S * 10/2014 Gotschke D12/204
D718,207 S * 11/2014 Grake D12/211
D741,771 S * 10/2015 Johnson D12/209
D748,559 S * 2/2016 Zhao D12/211
D775,577 S * 1/2017 Holstein D12/211
D824,832 S * 8/2018 Oh D12/209
D849,641 S * 5/2019 Tovey D12/209
D852,703 S * 7/2019 De Jung D12/209
D853,301 S * 7/2019 Hahn D12/209
D860,101 S * 9/2019 Bjerke D12/209

* cited by examiner

Primary Examiner — Stacia A Cadmus

(74) *Attorney, Agent, or Firm* — Ralph E. Smith

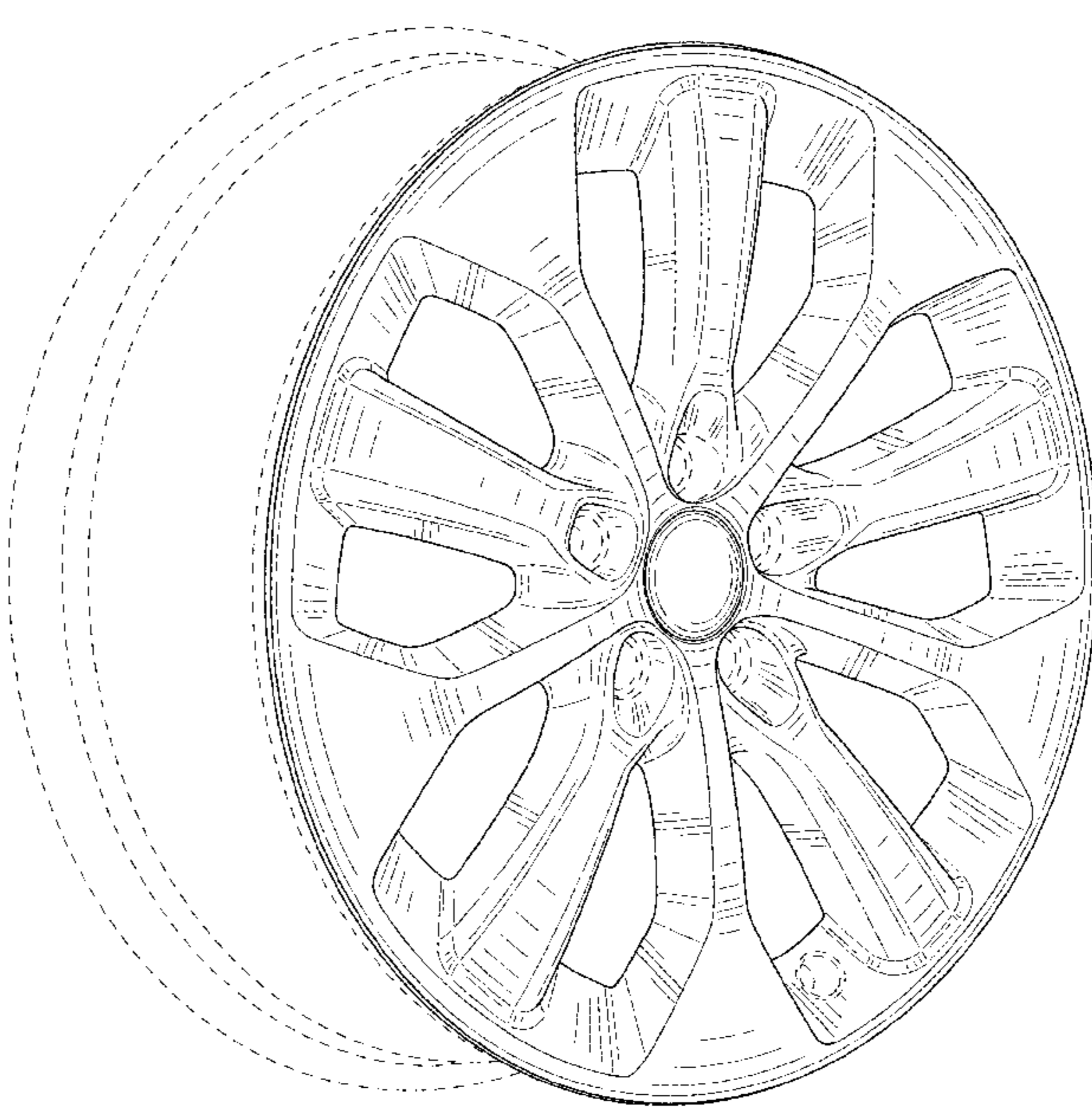
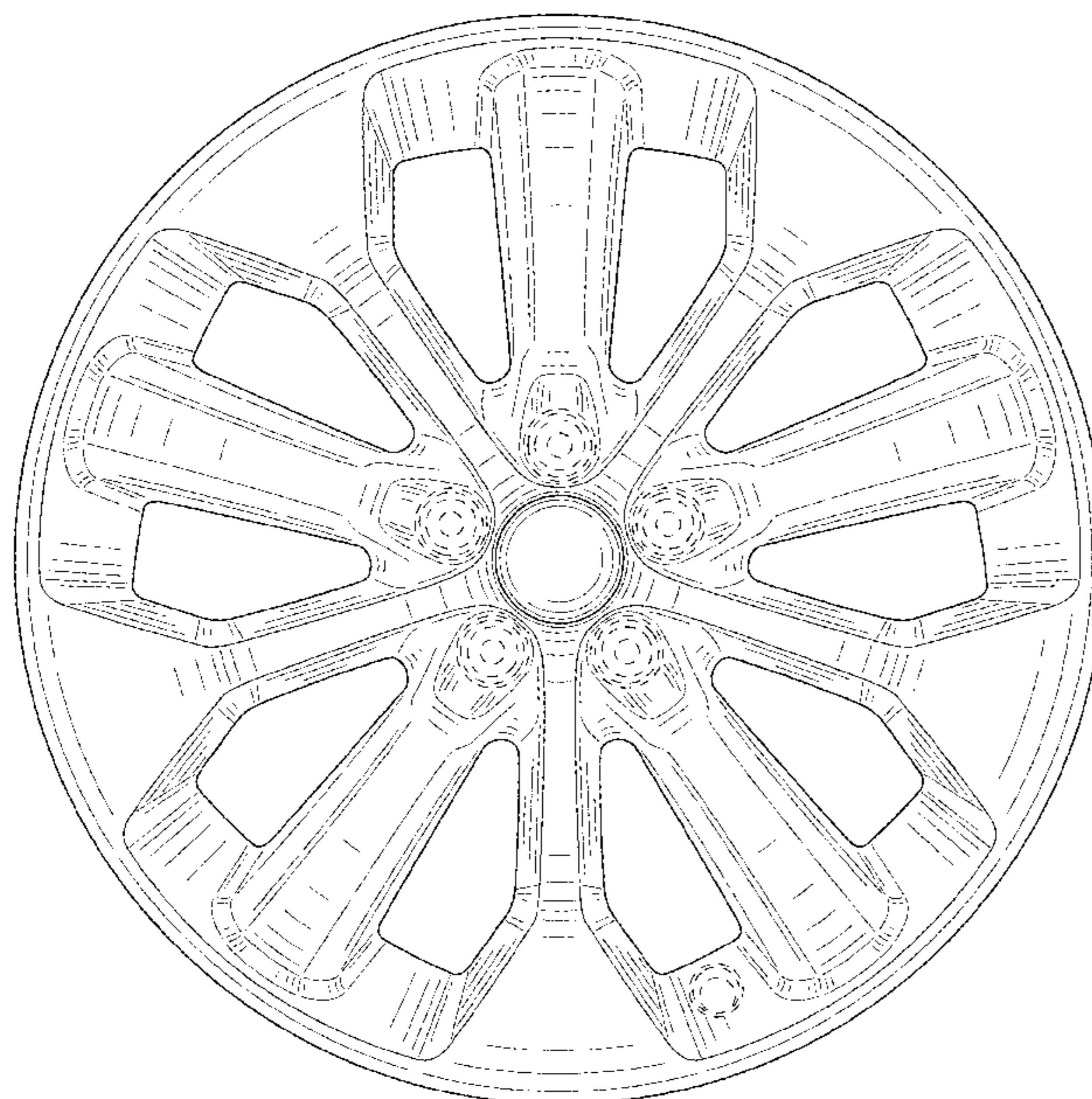
(57) **CLAIM**

The ornamental design for a wheel, as shown and described.

DESCRIPTION

FIG. 1 is a front view of a wheel showing our new design; FIG. 2 is a right perspective view thereof; and, FIG. 3 is a loll: perspective view thereof. It will be understood that the broken lines shown in the drawings illustrate portions of the wheel that form no part of the claimed design.

1 Claim, 3 Drawing Sheets



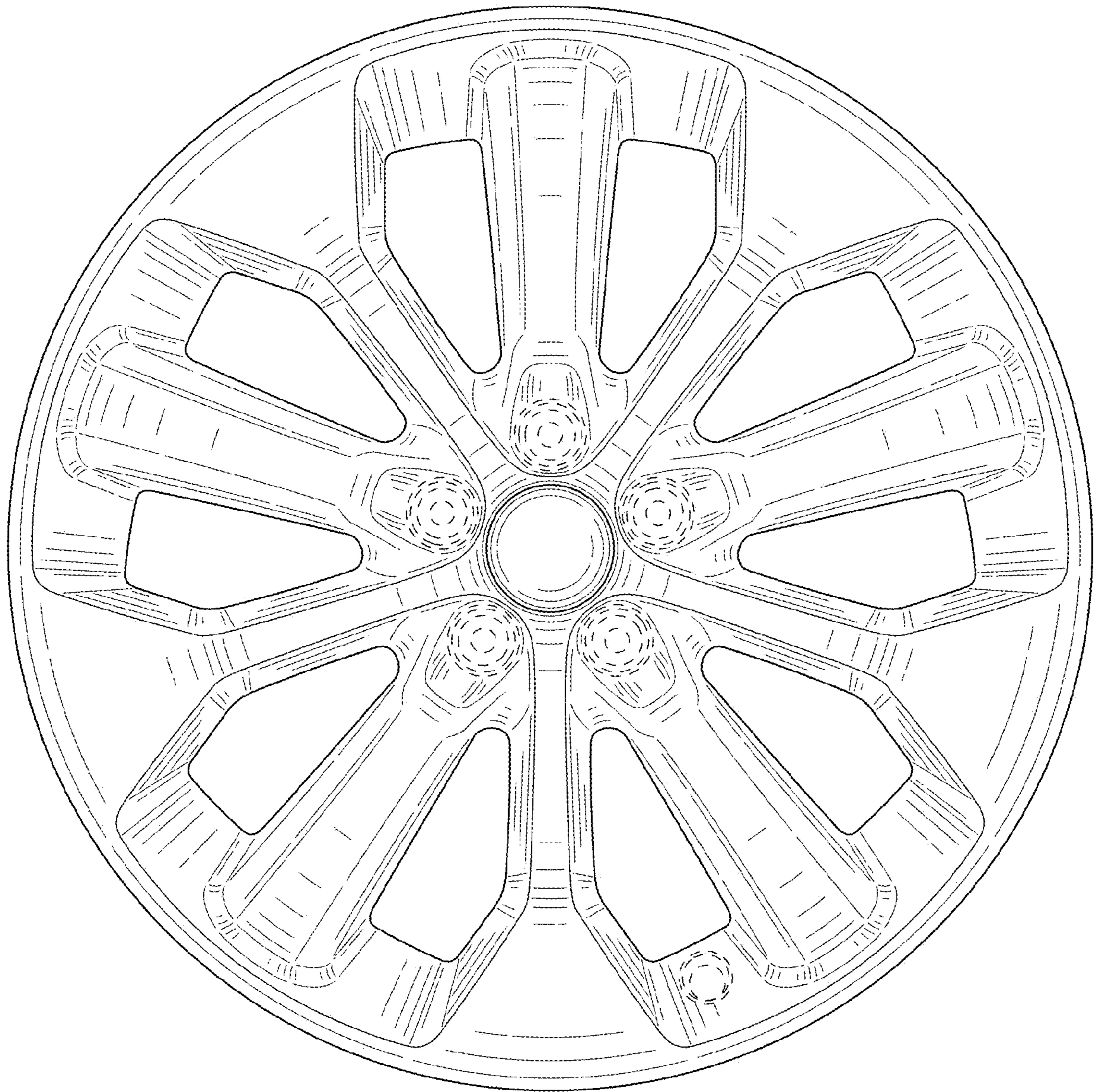


FIG. 1

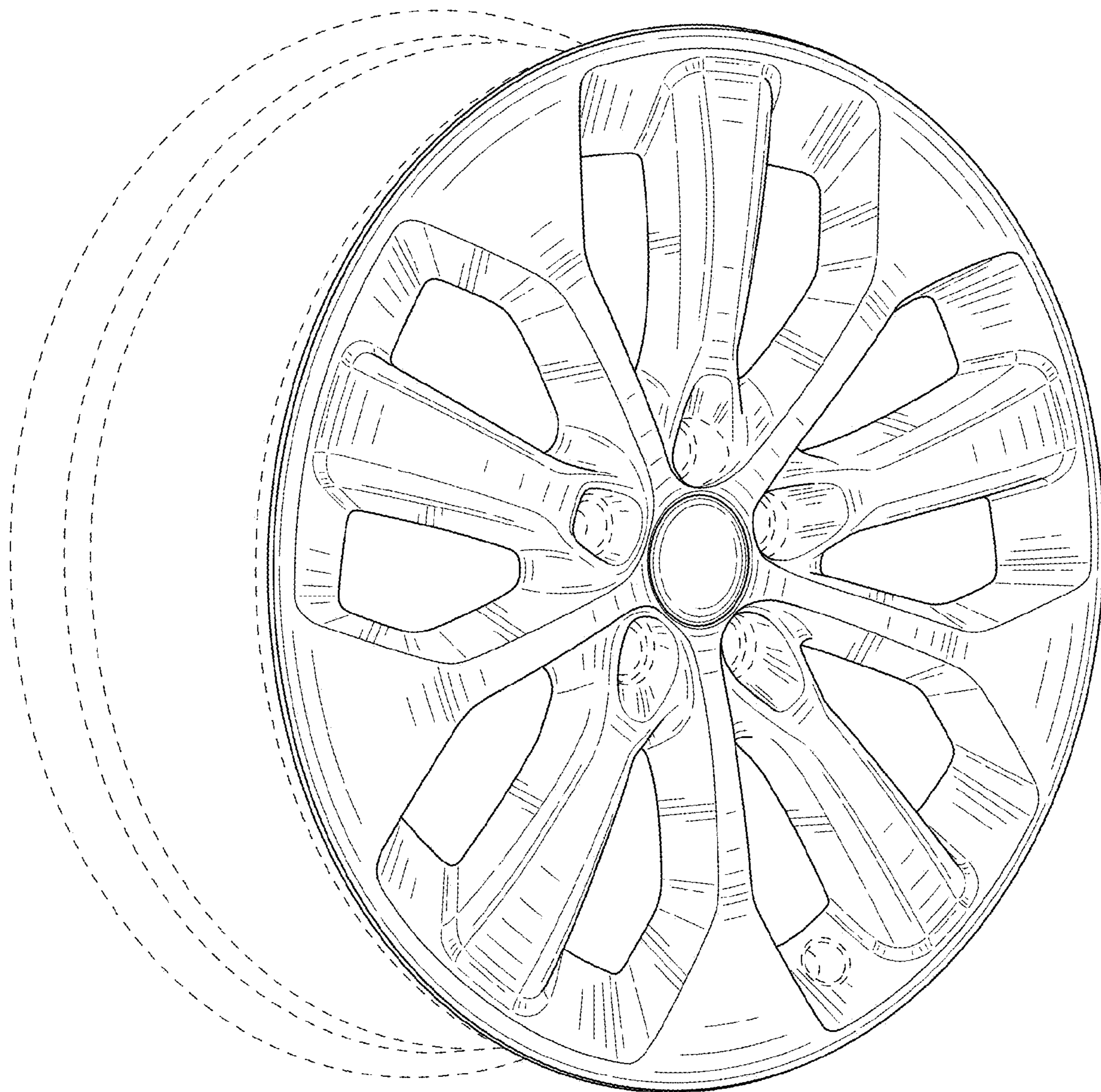


FIG. 2

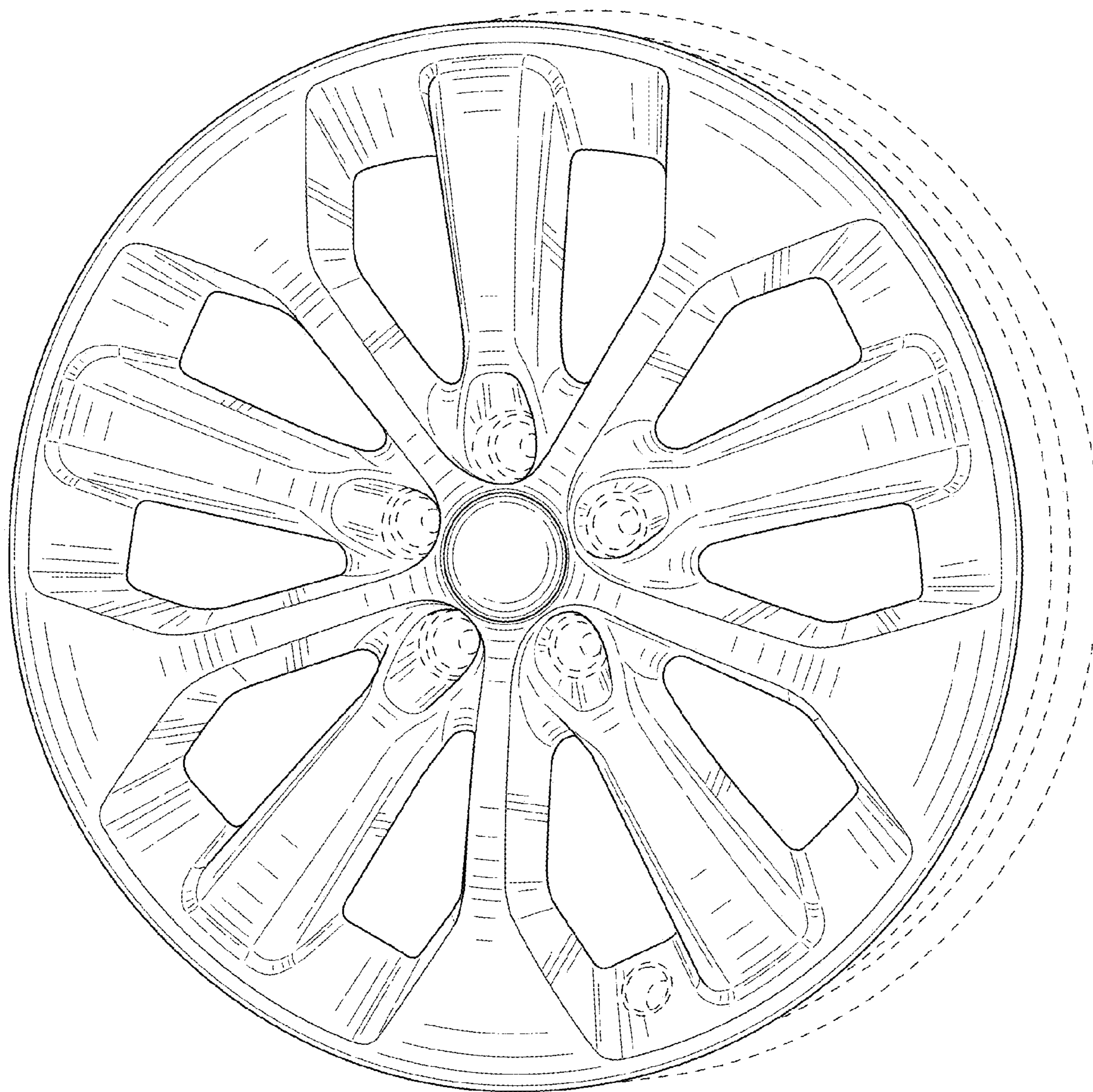


FIG. 3