



US00D888638S

(12) **United States Design Patent**
Zhao

(10) **Patent No.:** **US D888,638 S**

(45) **Date of Patent:** **** Jun. 30, 2020**

- (54) **AUTOMOBILE WHEEL**
- (71) Applicant: **WAH HUNG GROUP, INC.**,
Monterey Park, CA (US)
- (72) Inventor: **John Zhao**, Monterey Park, CA (US)
- (73) Assignee: **Wah Hung Group Inc.**, Monterey
Park, CA (US)
- (**) Term: **15 Years**
- (21) Appl. No.: **29/650,299**
- (22) Filed: **Jun. 5, 2018**
- (51) **LOC (12) Cl.** **12-16**
- (52) **U.S. Cl.**
USPC **D12/209**
- (58) **Field of Classification Search**
USPC D12/204–213; D21/563
CPC B60B 7/00; B60B 7/02; B60B 7/04; B60B
7/01; B60B 7/06; B60B 3/02; B60B 3/04;
B60B 3/06; B60B 3/10; B60B 1/00;
B60B 1/08; B60B 1/10; B60B 1/12
See application file for complete search history.

D617,722 S *	6/2010	Zhao	D12/211
D652,364 S *	1/2012	Zhao	D12/211
D671,061 S *	11/2012	Dilber	D12/211
D684,518 S *	6/2013	Zhao	D12/211
D720,271 S *	12/2014	Mielke	D12/209
D741,775 S *	10/2015	Zhao	D12/211
D742,799 S *	11/2015	Zhao	D12/211
D749,030 S *	2/2016	Zhao	D12/211
D749,486 S *	2/2016	Huang	D12/211
D751,480 S *	3/2016	Chung	D12/209
D753,041 S *	4/2016	Kim	D12/209
D758,278 S *	6/2016	Behmer	D12/211
D758,945 S *	6/2016	Zhao	D12/211
D770,958 S *	11/2016	Panchal	D12/211
D776,597 S *	1/2017	Zhao	D12/211
D781,203 S *	3/2017	Chung	D12/211
D792,829 S *	7/2017	Kim	D12/211
D808,881 S *	1/2018	Simpson	D12/211
D821,285 S *	6/2018	Zhao	D12/211
D840,310 S *	2/2019	Zhao	D12/209

* cited by examiner

Primary Examiner — Stacia A Cadmus

(74) *Attorney, Agent, or Firm* — Payam Moradian

(57) **CLAIM**

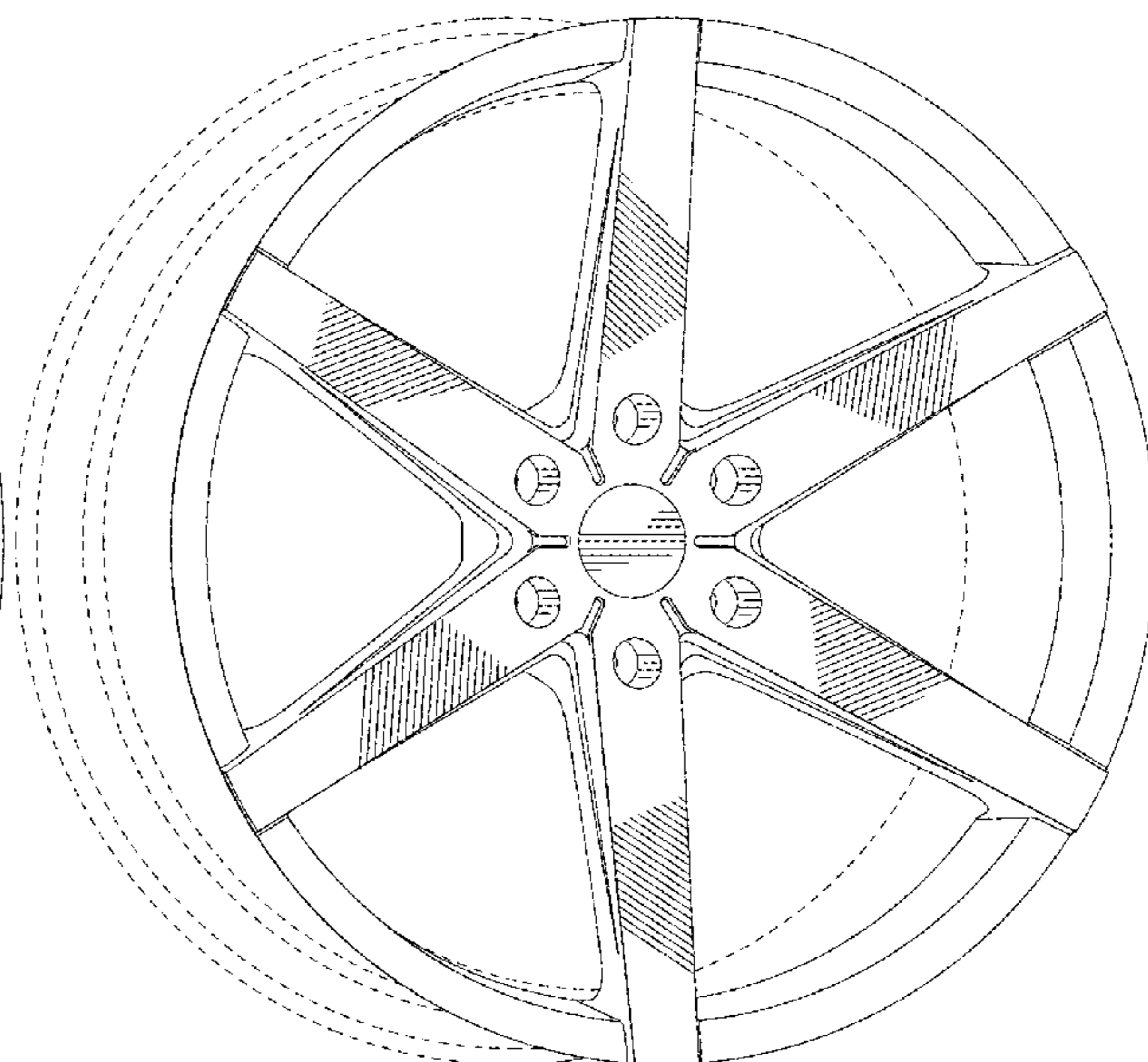
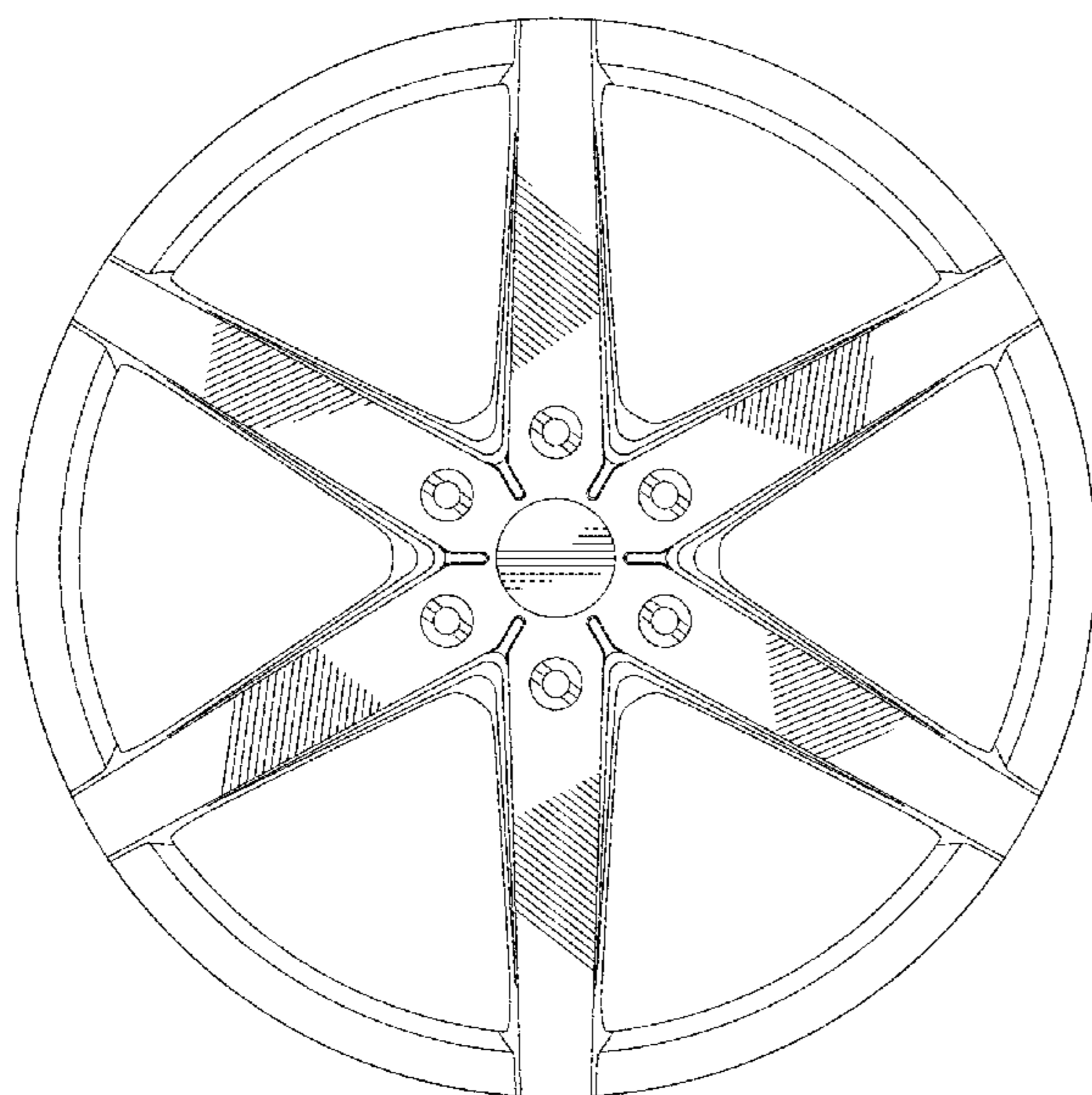
I claim the ornamental design for an automobile wheel, as shown and described.

DESCRIPTION

FIG. 1 is a front view of an automobile wheel, showing my new design;
 FIG. 2 is a perspective view thereof;
 FIG. 3 is a front view of a second embodiment of an automobile wheel showing my new design; and,
 FIG. 4 is a perspective view of FIG. 3.
 The broken lines in the drawings of the automobile wheel are for showing portions of the article and form no part of the claimed design.

1 Claim, 4 Drawing Sheets

- (56) **References Cited**
U.S. PATENT DOCUMENTS
- D361,976 S * 9/1995 Echazabal D12/211
- D375,073 S * 10/1996 Theiss D12/209
- D448,712 S * 10/2001 Laengerer D12/209
- D458,208 S * 6/2002 Hartl D12/211
- D488,763 S * 4/2004 Takechi D12/211
- D493,133 S * 7/2004 Bernoni D12/211
- D514,495 S * 2/2006 Hieke D12/211
- D528,059 S * 9/2006 Hieke D12/209
- D534,851 S * 1/2007 Kim D12/209
- D582,329 S * 12/2008 Hieke D12/209
- D585,351 S * 1/2009 Hieke D12/209



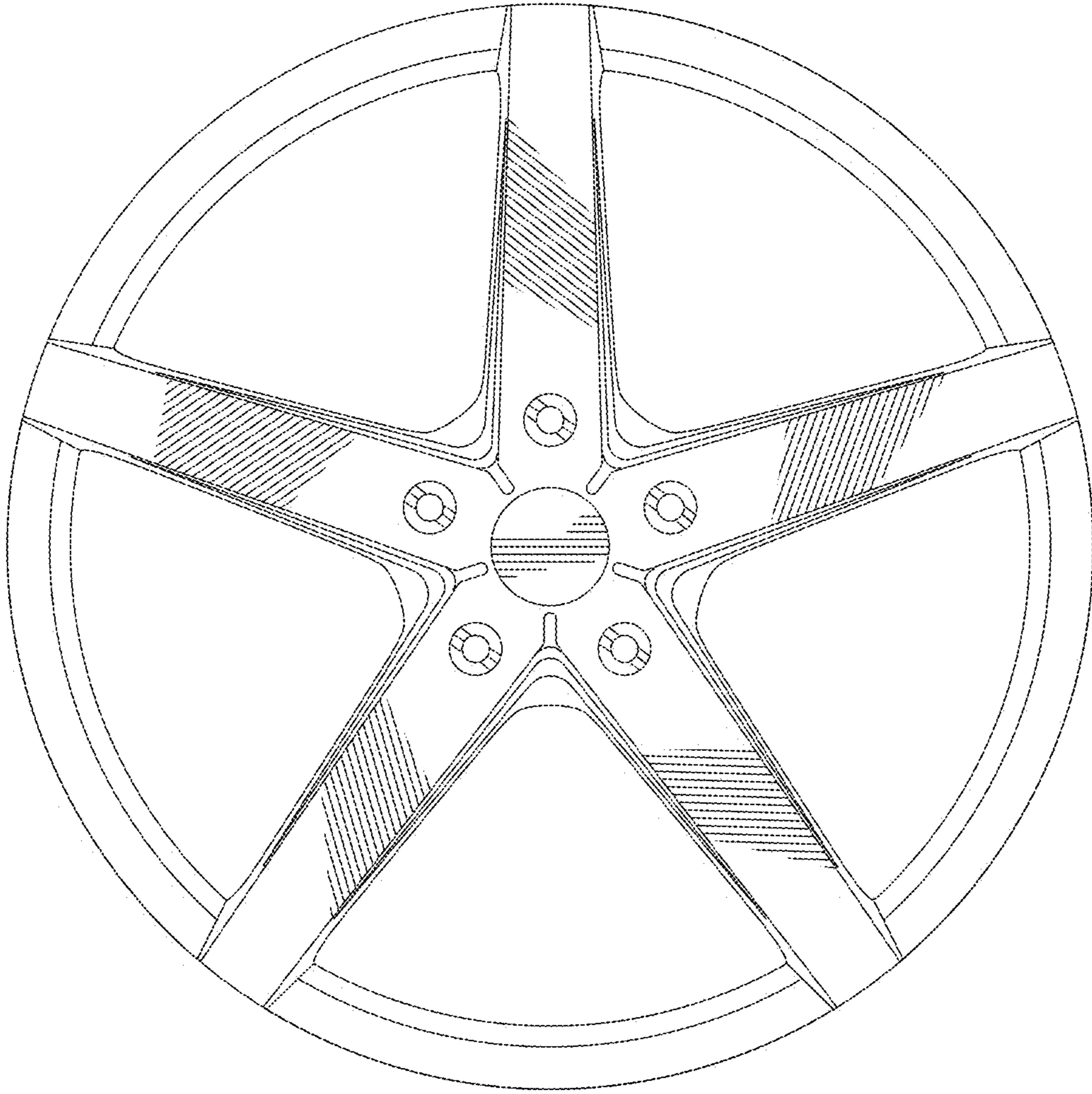


FIG. 1

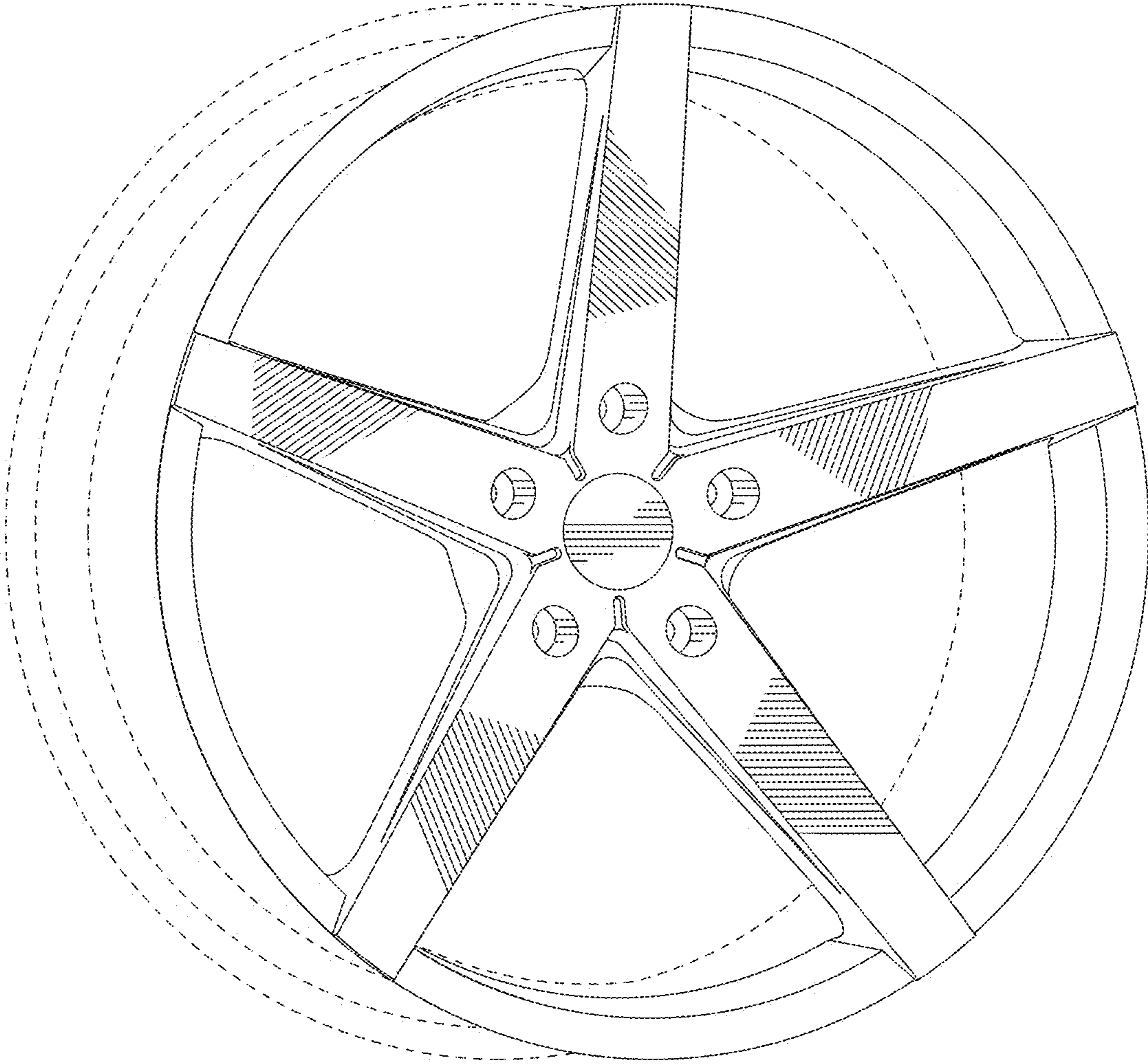


FIG.2

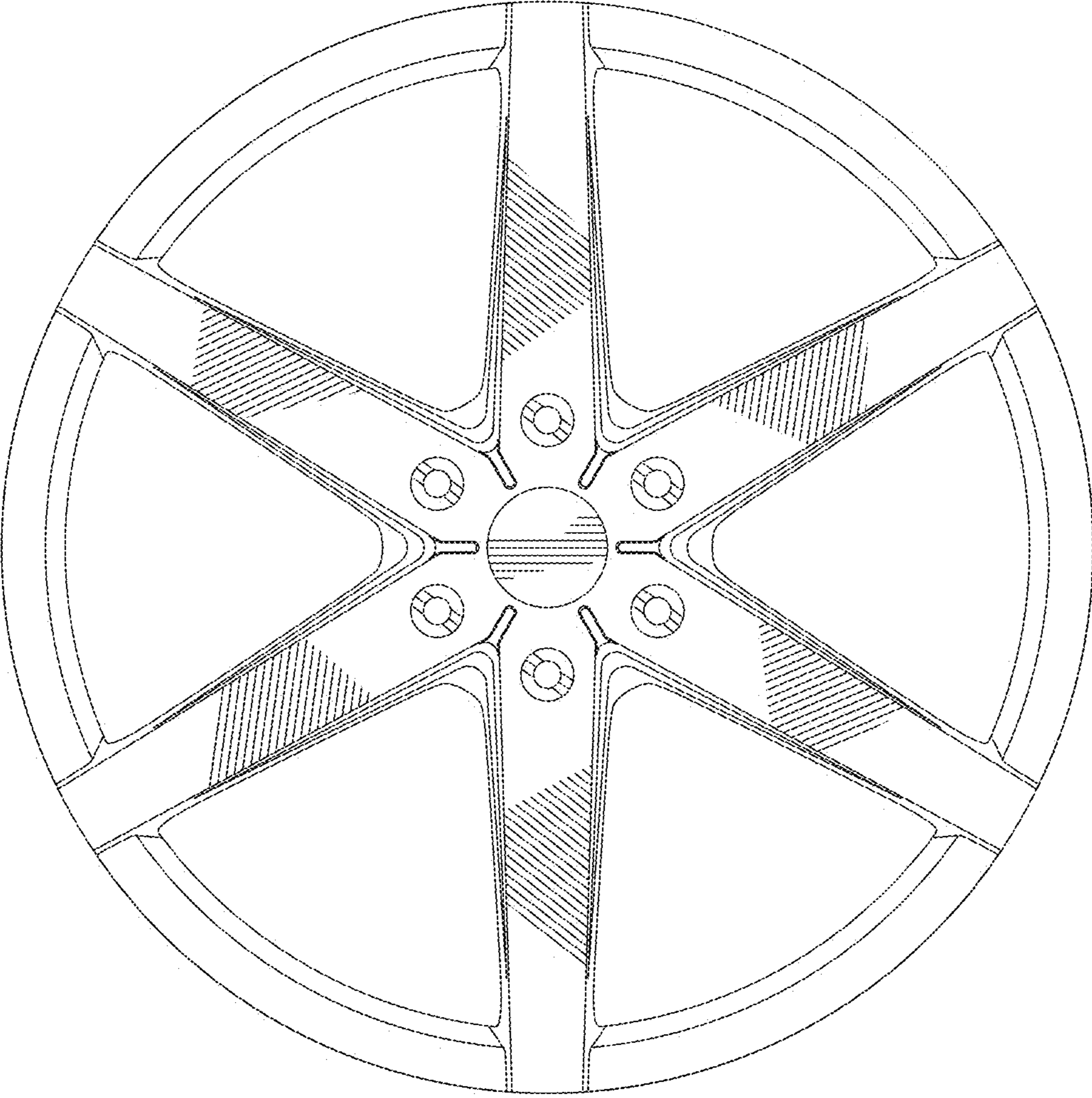


FIG.3

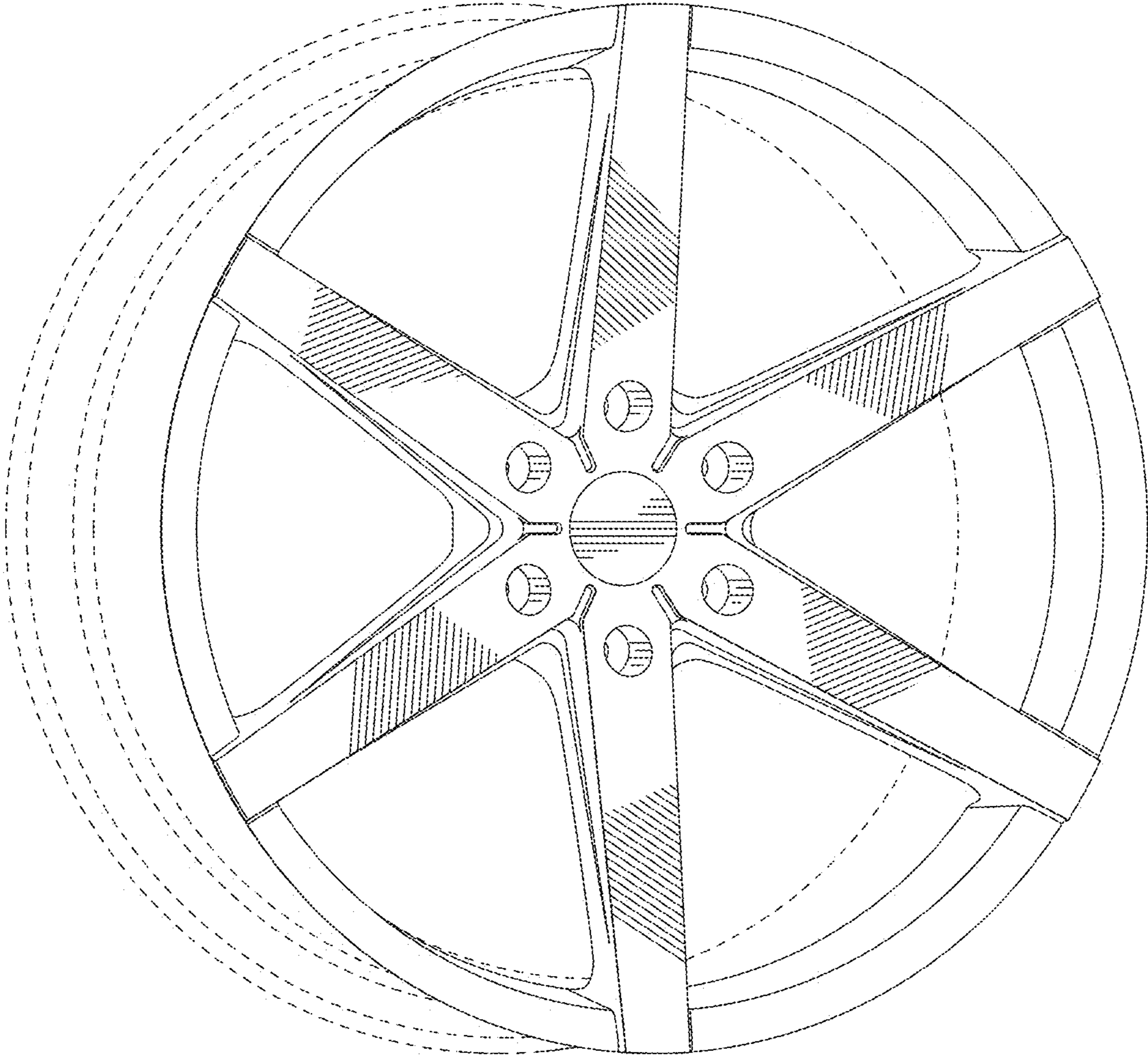


FIG. 4