



US00D888634S

(12) **United States Design Patent**  
**Diaz**

(10) **Patent No.:** **US D888,634 S**  
(45) **Date of Patent:** **\*\* Jun. 30, 2020**

(54) **AUTONOMOUS FLIP-UP LICENSE PLATE MOUNT FOR MOTORCYCLES**

(71) Applicant: **Alejandro Diaz**, Pasco, WA (US)

(72) Inventor: **Alejandro Diaz**, Pasco, WA (US)

(\*\*) Term: **15 Years**

(21) Appl. No.: **29/682,794**

(22) Filed: **Mar. 7, 2019**

**Related U.S. Application Data**

(63) Continuation-in-part of application No. 16/274,434, filed on Feb. 13, 2019, now Pat. No. 10,414,349.

(51) **LOC (12) Cl.** ..... **12-16**

(52) **U.S. Cl.**  
USPC ..... **D12/193**

(58) **Field of Classification Search**  
USPC ..... D12/193; D6/300, 301, 302, 310, 311, D6/312, 313, 314; D20/13  
CPC ..... B60R 13/10; B60R 13/105; B60R 19/24; B60R 19/52  
See application file for complete search history.

(56) **References Cited**

**U.S. PATENT DOCUMENTS**

D412,876 S \* 8/1999 Crecelius ..... D12/193  
D633,837 S \* 3/2011 Murray ..... D12/193  
D709,816 S \* 7/2014 Rohaly ..... D12/223  
D773,365 S \* 12/2016 Starke ..... D12/193  
9,586,538 B2 \* 3/2017 Fontayne ..... B60R 13/105

D802,506 S \* 11/2017 Bargaen ..... D12/193  
D813,129 S \* 3/2018 Hoffheinz ..... D12/193  
D822,566 S \* 7/2018 Parnell ..... D12/193  
D824,307 S \* 7/2018 Spencer ..... D12/193  
D824,308 S \* 7/2018 Parnell ..... D12/193  
D833,352 S \* 11/2018 Reshetnyak ..... D12/193  
D859,010 S \* 9/2019 Burch ..... D6/301  
D870,624 S \* 12/2019 Filakousky ..... D12/193  
D870,625 S \* 12/2019 Filakousky ..... D12/193  
2019/0248305 A1 \* 8/2019 Diaz ..... B62J 99/00  
2019/0359152 A1 \* 11/2019 Diaz, Jr. .... G09F 7/22

\* cited by examiner

*Primary Examiner* — Natasha Vujcic

(57) **CLAIM**

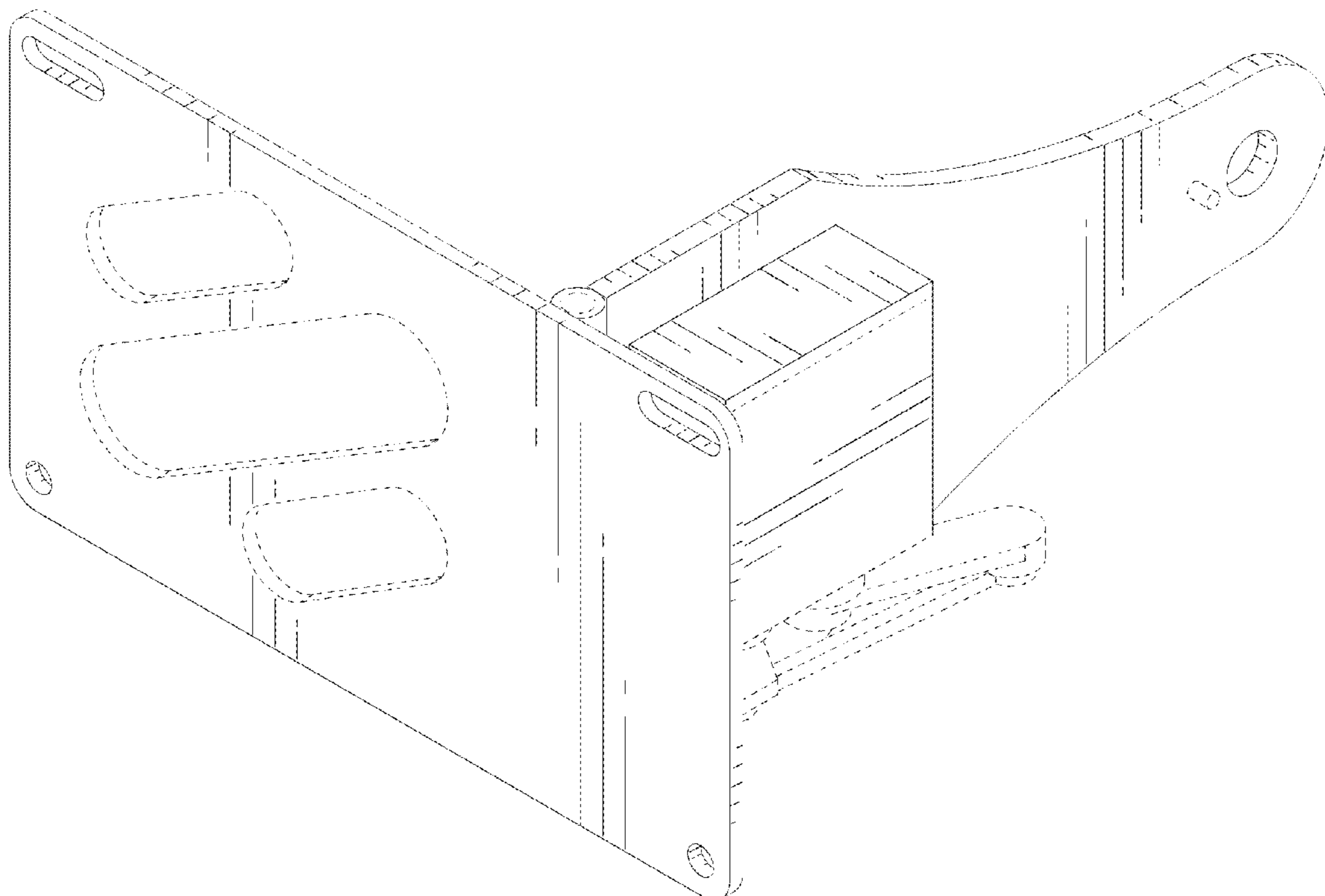
The ornamental design for an autonomous flip-up license plate mount for motorcycles, as shown and described.

**DESCRIPTION**

FIG. 1 is a perspective view of an autonomous flip-up license plate mount for motorcycles;  
FIG. 2 is a front elevation view thereof;  
FIG. 3 is a rear elevation view thereof;  
FIG. 4 is a right-side elevation view thereof;  
FIG. 5 is a left-side elevation view thereof;  
FIG. 6 is a top plan view thereof;  
FIG. 7 is a bottom plan view thereof; and,  
FIG. 8 is a perspective view thereof in a collapsed configuration.

The broken line showing an automatic pivoting mechanism and is included for the purpose of illustrating environmental structure and forms no part of the claimed design.

**1 Claim, 8 Drawing Sheets**



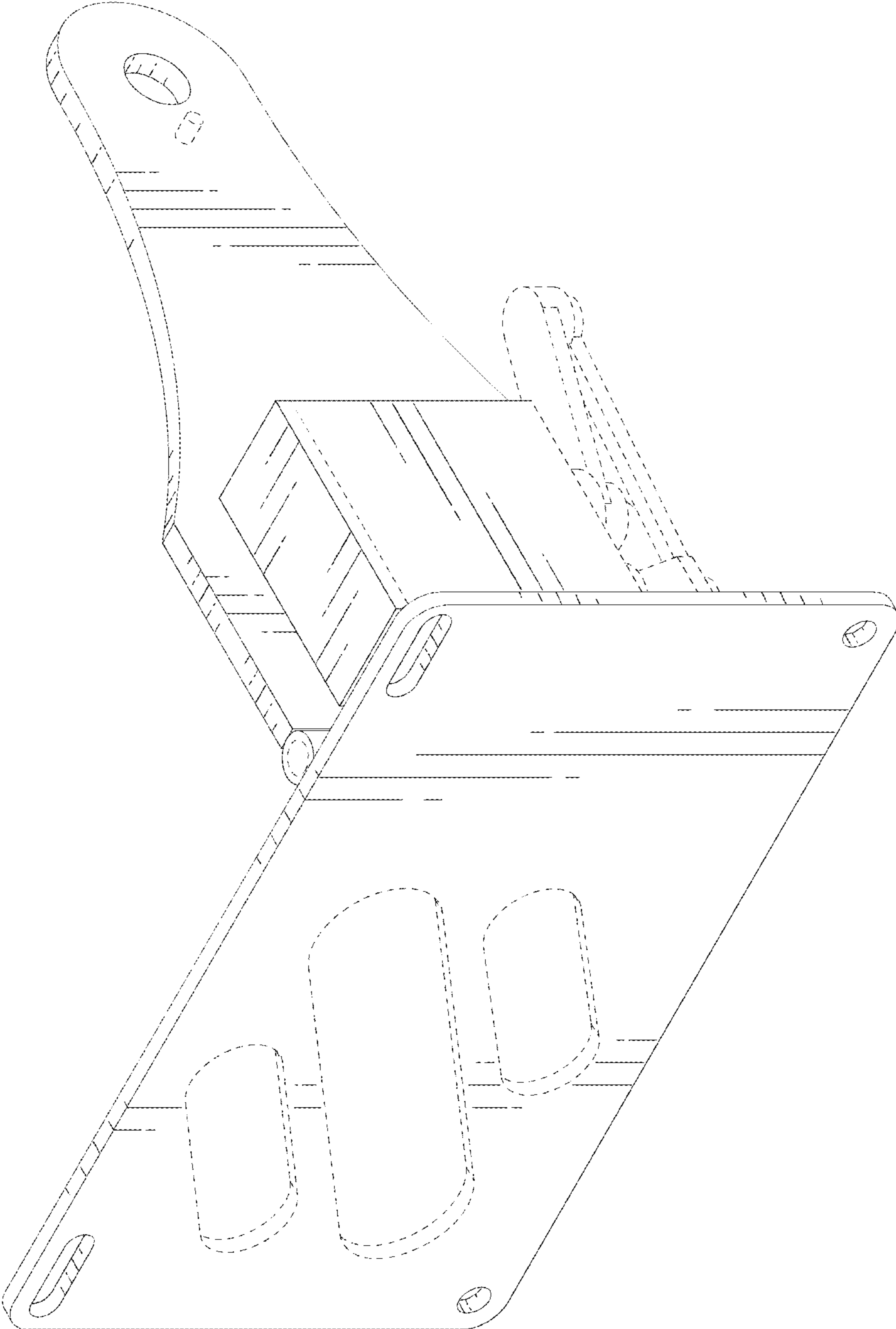


FIG. 1

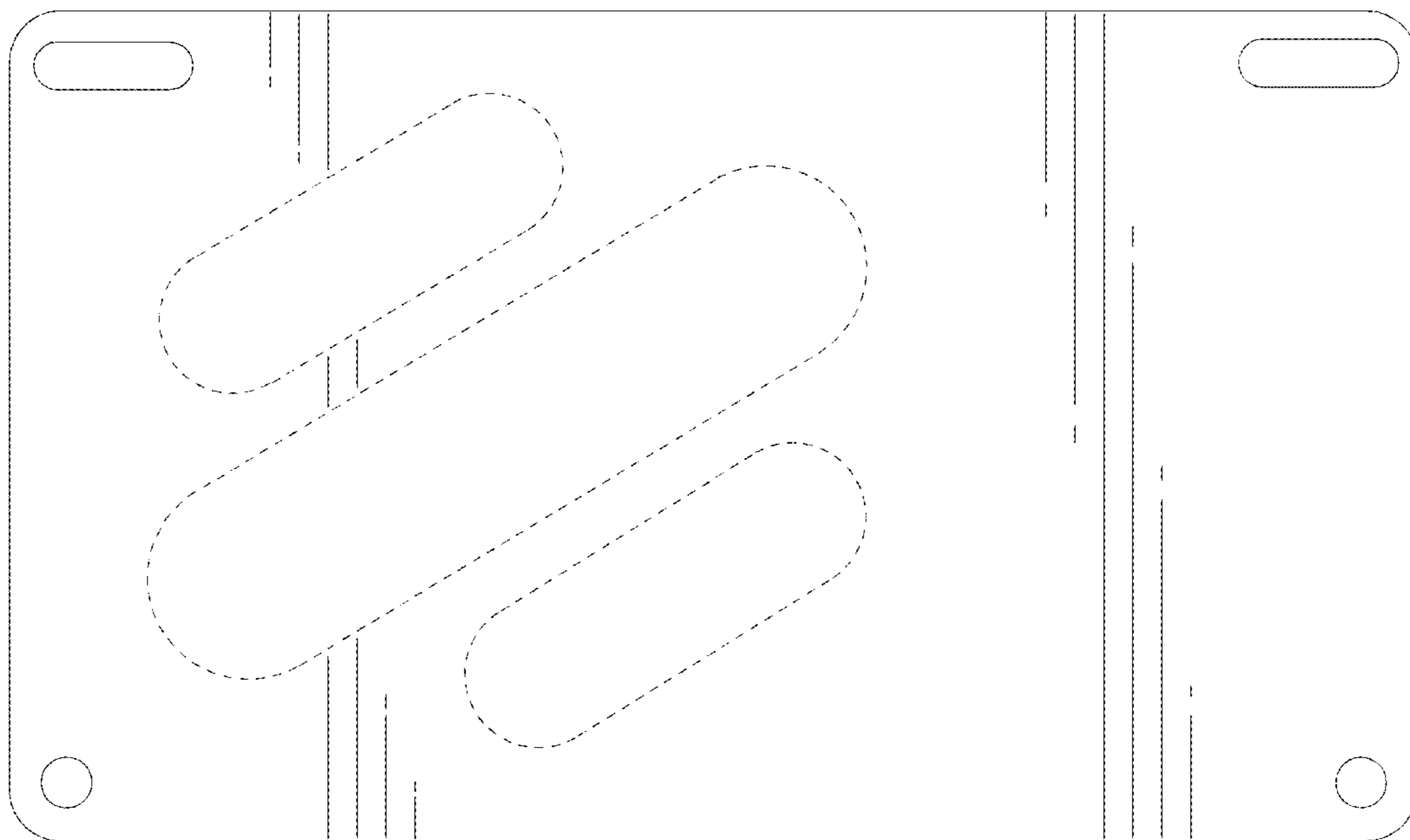


FIG. 2

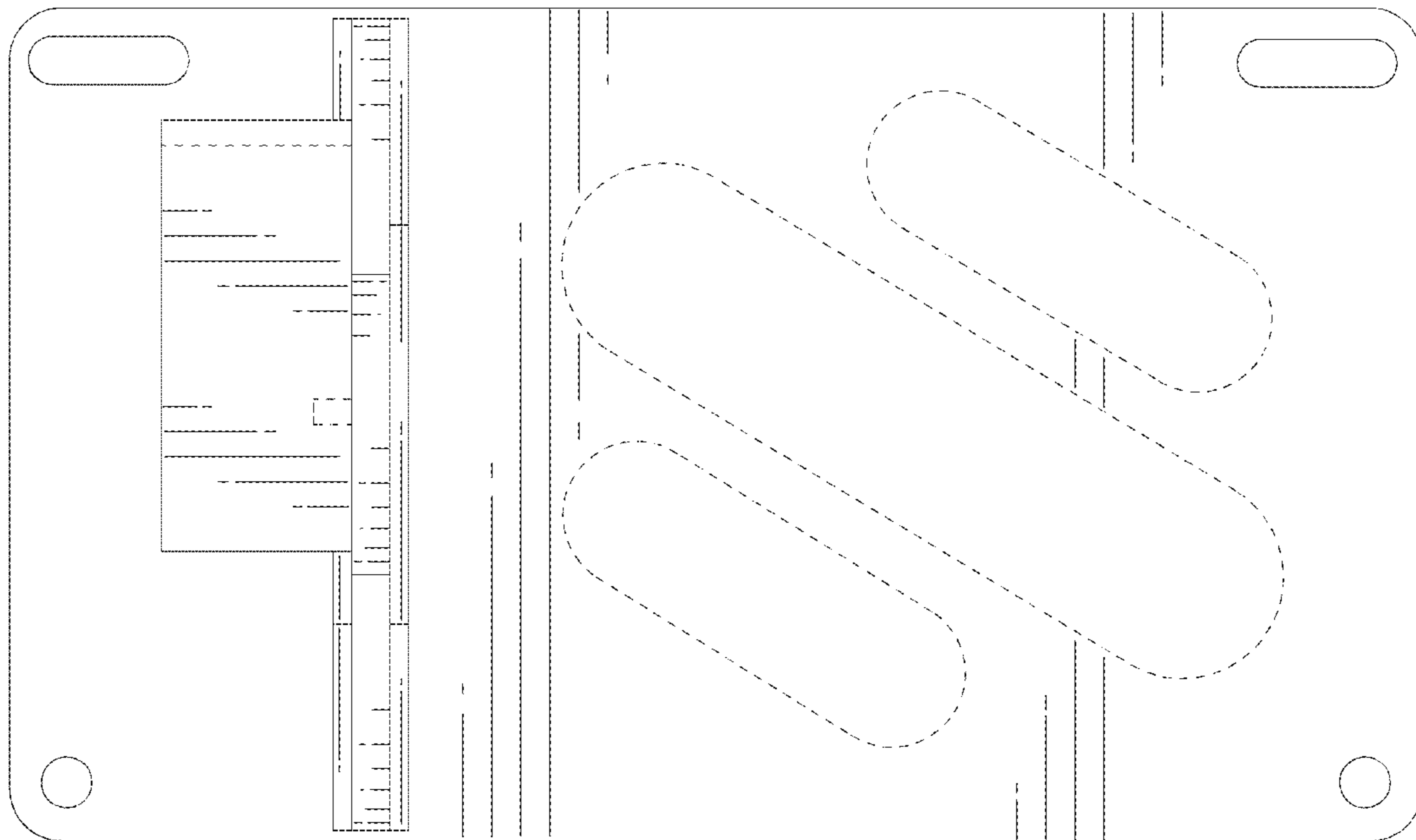


FIG. 3

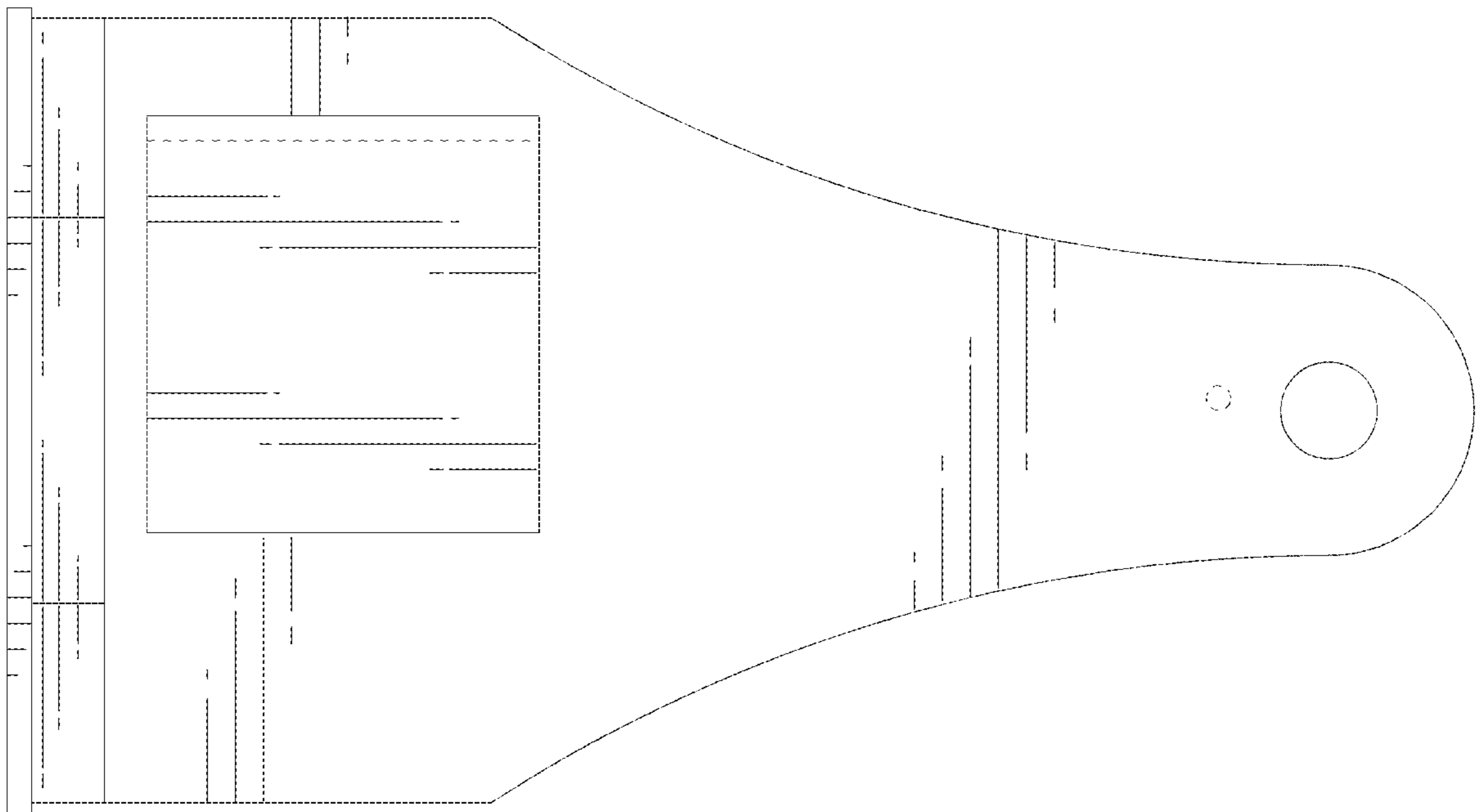


FIG. 4

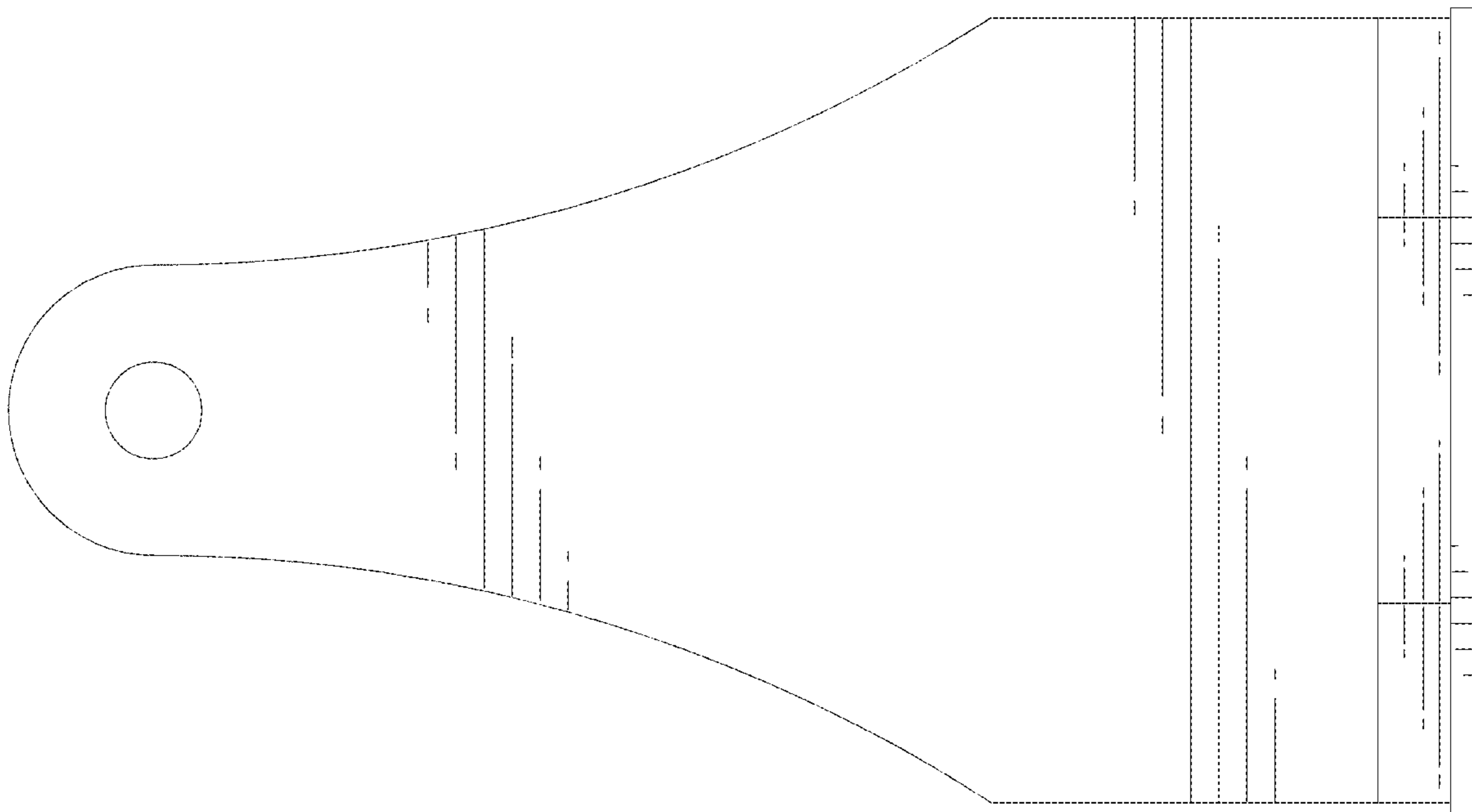


FIG. 5

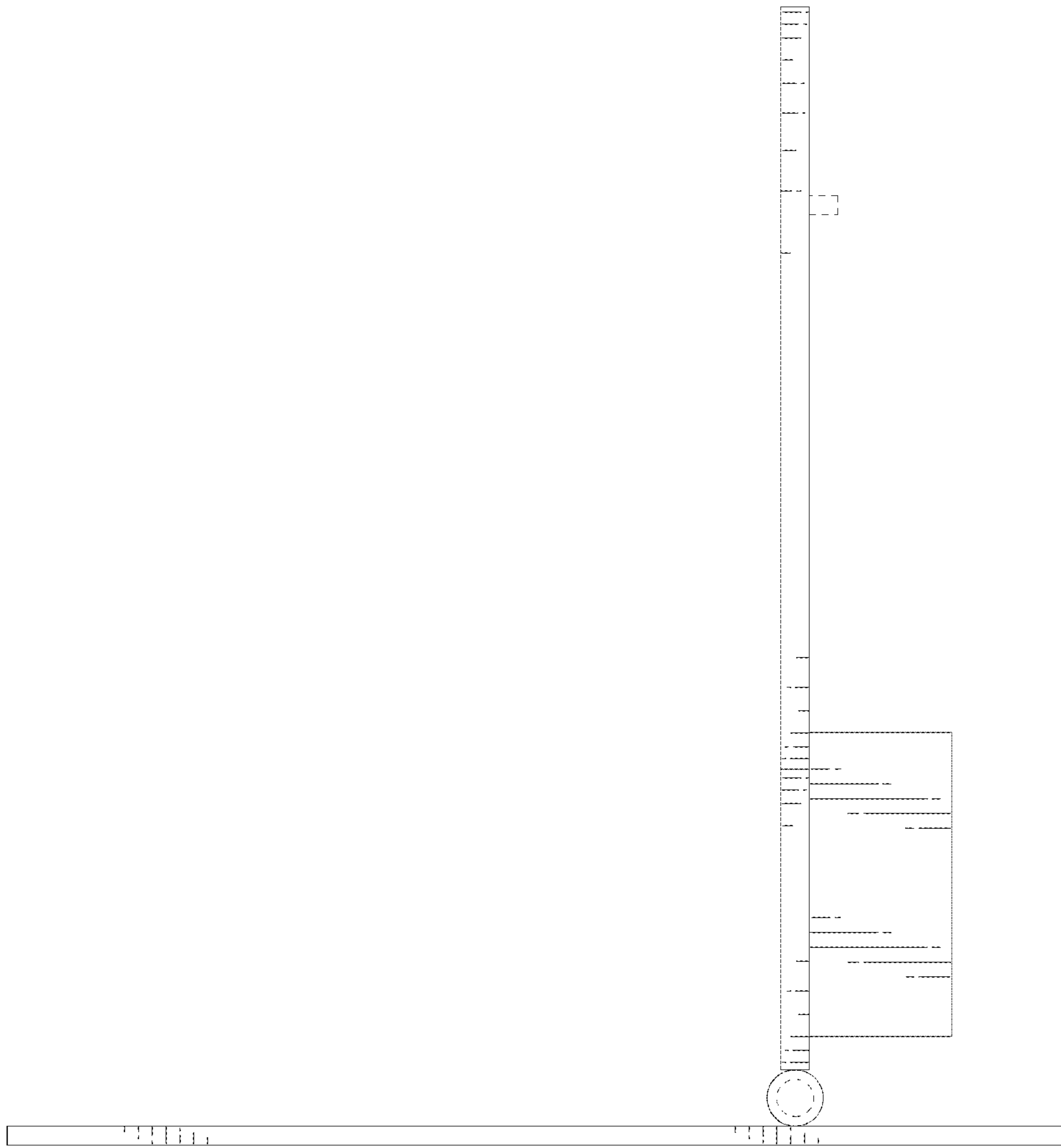


FIG. 6

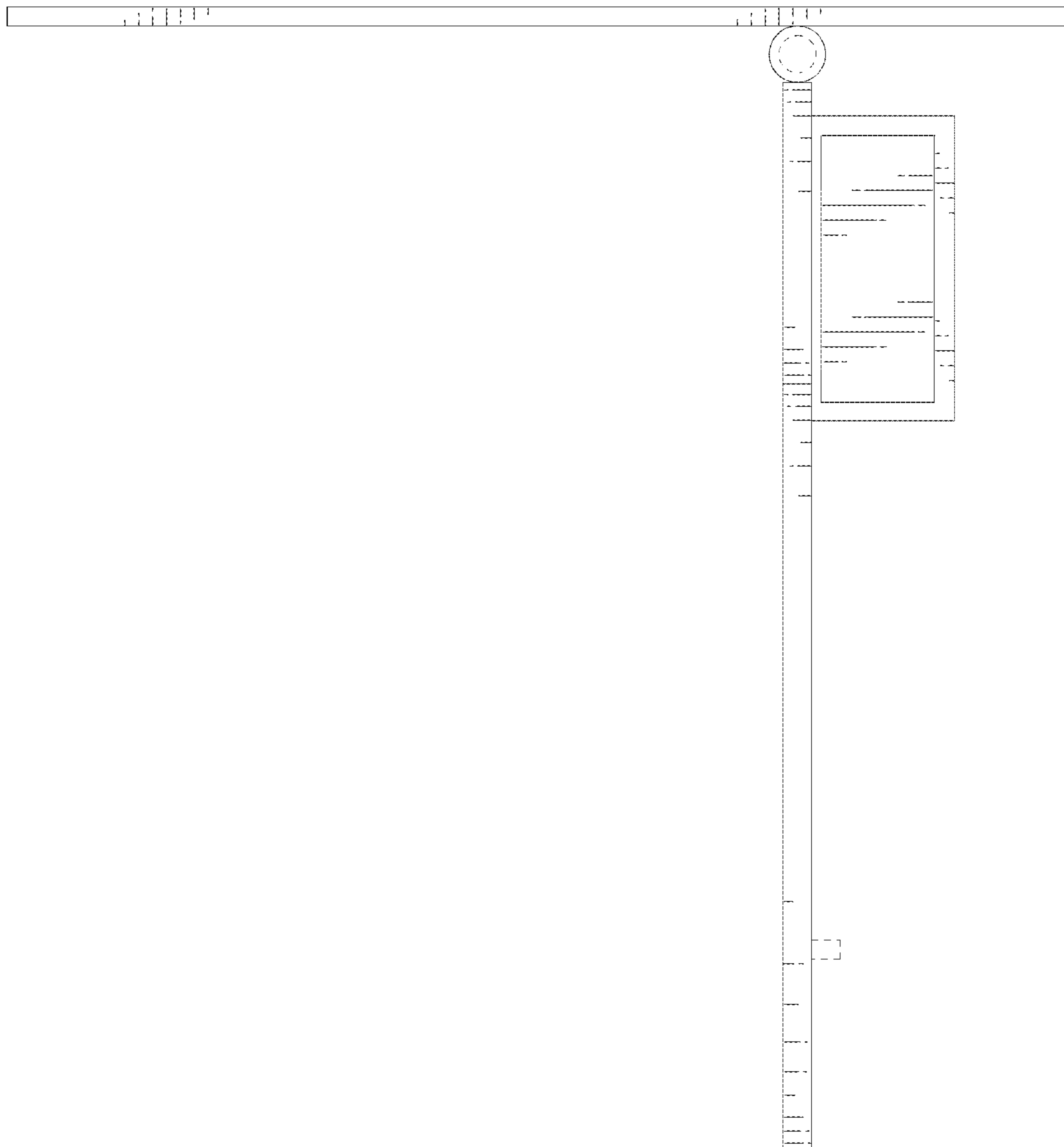


FIG. 7



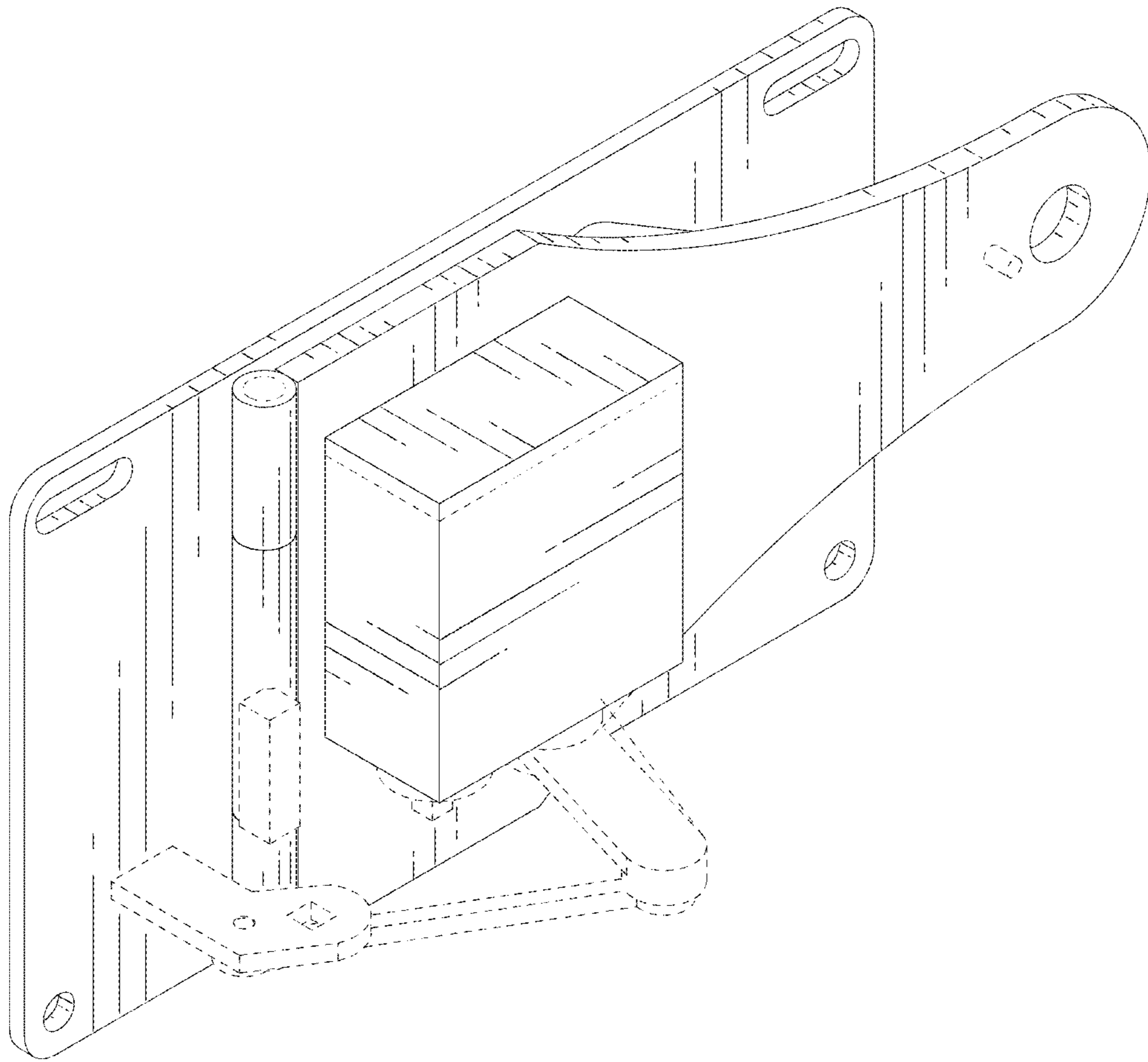


FIG. 8