



US00D888633S

(12) **United States Design Patent** (10) **Patent No.:** **US D888,633 S**  
**Romain** (45) **Date of Patent:** **\*\* Jun. 30, 2020**

(54) **HEAD-UP DISPLAY FOR CAR**  
(71) Applicant: **LG ELECTRONICS INC.**, Seoul (KR)  
(72) Inventor: **Diboine Romain**, Seoul (KR)  
(73) Assignee: **LG Electronics Inc.**, Seoul (KR)  
(\*\*) Term: **15 Years**  
(21) Appl. No.: **35/504,816**  
(22) Filed: **Oct. 27, 2017**  
(80) **Hague Agreement Data**  
Int. Filing Date: **Oct. 27, 2017**  
Int. Reg. No.: **DM/098276**  
Int. Reg. Date: **Oct. 27, 2017**  
Int. Reg. Pub. Date: **Apr. 27, 2018**

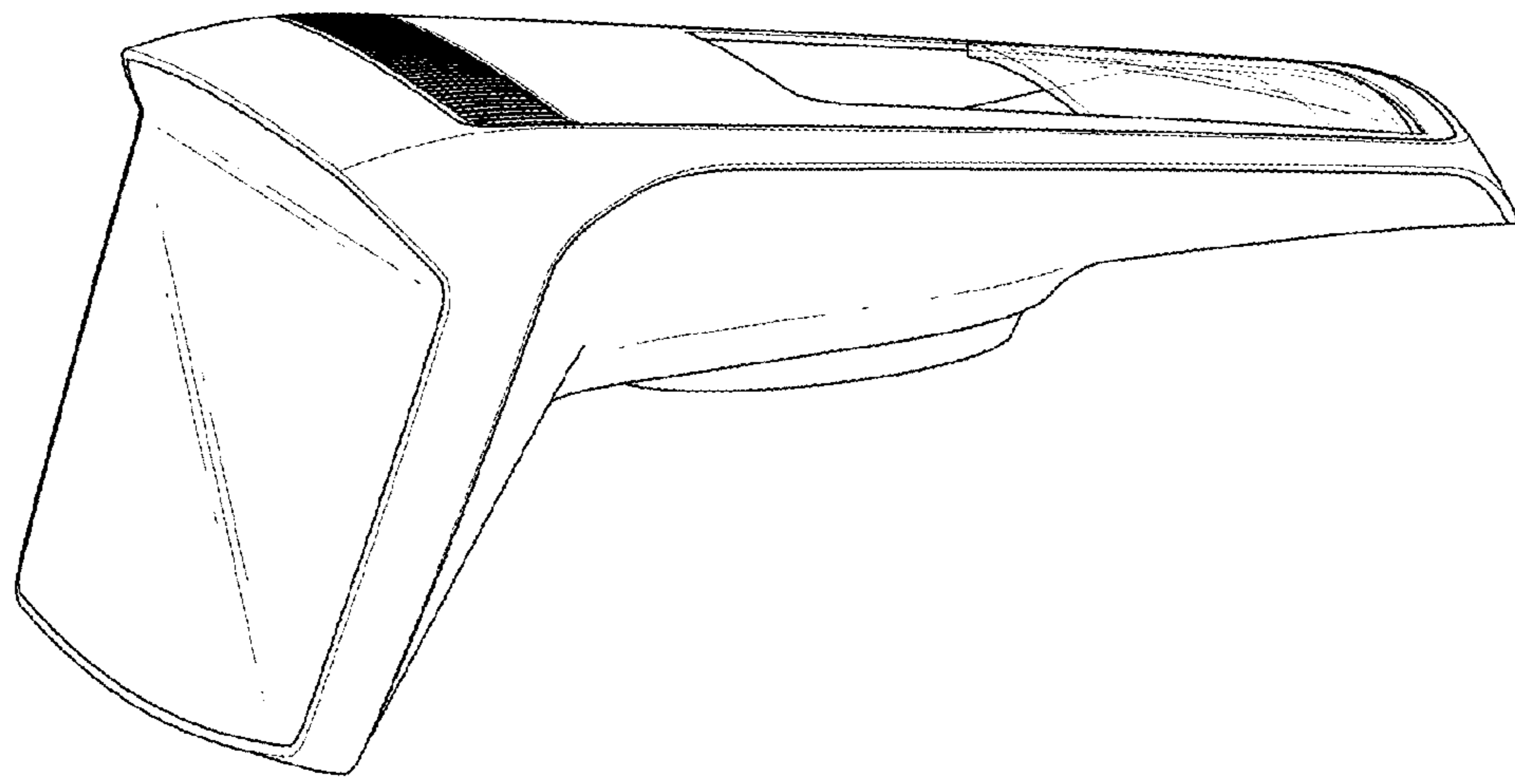
(30) **Foreign Application Priority Data**  
Oct. 17, 2017 (KR) ..... 30-2017-0048210  
(51) **LOC (12) Cl.** ..... **12-16**  
(52) **U.S. Cl.**  
USPC ..... **D12/192**  
(58) **Field of Classification Search**  
USPC ..... D12/192, 400, 415, 421, 114; D10/46, D10/98, 102, 103  
CPC ..... G02B 27/01; G02B 27/0149; G02B 27/0101; G02B 2027/0187; G02B 2027/0154; G02B 2027/0169; B60R 2011/0005; B60R 2011/0007; B60R 2011/0003; B60R 1/00; B60K 2350/2052; B60K 2350/405; B60K 37/00; B60K 2350/406; B60Y 2400/92  
See application file for complete search history.

(56) **References Cited**  
U.S. PATENT DOCUMENTS  
5,237,455 A \* 8/1993 Bordo ..... G02B 27/0101 359/602  
5,457,575 A \* 10/1995 Groves ..... B60K 35/00 353/13  
6,504,518 B1 \* 1/2003 Kuwayama ..... G02B 27/01 340/980  
D713,777 S \* 9/2014 Kanou ..... D12/418  
D798,783 S \* 10/2017 Li ..... D12/192  
9,939,641 B1 \* 4/2018 Quiroz de la mora ..... B60K 37/04  
2014/0225811 A1 \* 8/2014 Killguss ..... G02B 7/1827 345/7  
2015/0035725 A1 \* 2/2015 Kawaguchi ..... B60K 37/04 345/7  
2016/0025973 A1 \* 1/2016 Gutttag ..... G02B 27/0101 345/7  
2016/0247321 A1 \* 8/2016 Wong ..... G06F 3/017  
2016/0299343 A1 \* 10/2016 Chien ..... G02B 27/0149  
2017/0038586 A1 \* 2/2017 Henon ..... B60K 35/00  
2017/0082857 A1 \* 3/2017 Schoch ..... B60K 35/00  
(Continued)

*Primary Examiner* — George D. Kirschbaum  
*Assistant Examiner* — Ieisha N Price  
(74) *Attorney, Agent, or Firm* — Birch, Stewart, Kolasch & Birch, LLP

(57) **CLAIM**  
The ornamental design for a head-up display for car, as shown and described.

**DESCRIPTION**  
1. Head-up display for car  
**1.1** : Perspective  
**1.2** : Front  
**1.3** : Back  
**1.4** : Left  
**1.5** : Right  
(Continued)



1.6 : Top

1.7 : Bottom

1.8 : Reference

The broken lines in the drawings illustrate portions of the Head-up display for car and form no part of the claimed design.

**1 Claim, 8 Drawing Sheets**

(56)

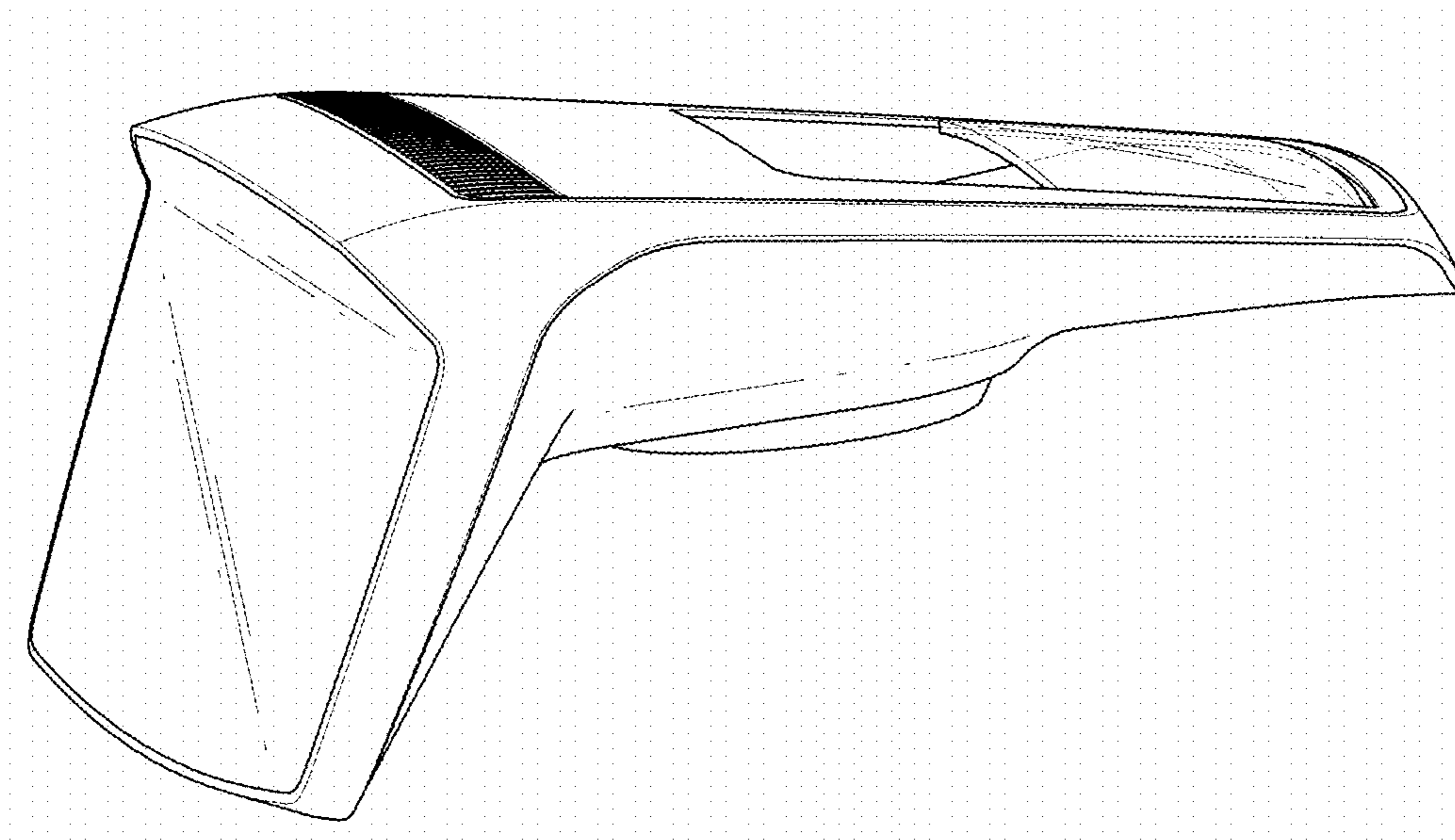
**References Cited**

U.S. PATENT DOCUMENTS

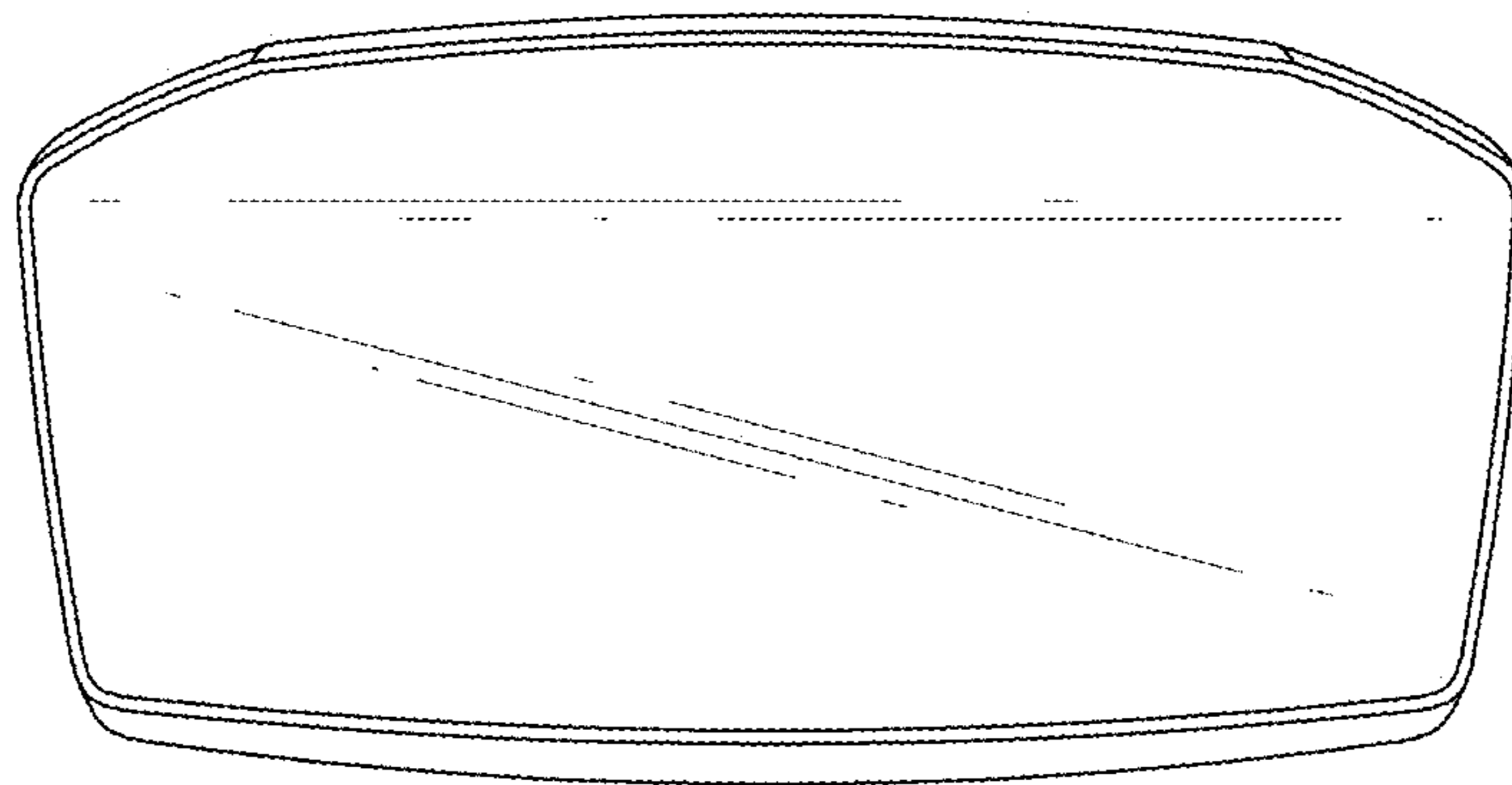
2017/0227769	A1 *	8/2017	Tatekawa .....	G02B 27/0149
2018/0088331	A1 *	3/2018	Wall .....	B60K 35/00
2018/0129125	A1 *	5/2018	Chen .....	G03B 21/10
2018/0201204	A1 *	7/2018	Saitou .....	B60K 35/00
2018/0259772	A1 *	9/2018	Henon .....	G02B 27/0101
2018/0348517	A1 *	12/2018	Chen .....	G02B 27/0149

\* cited by examiner

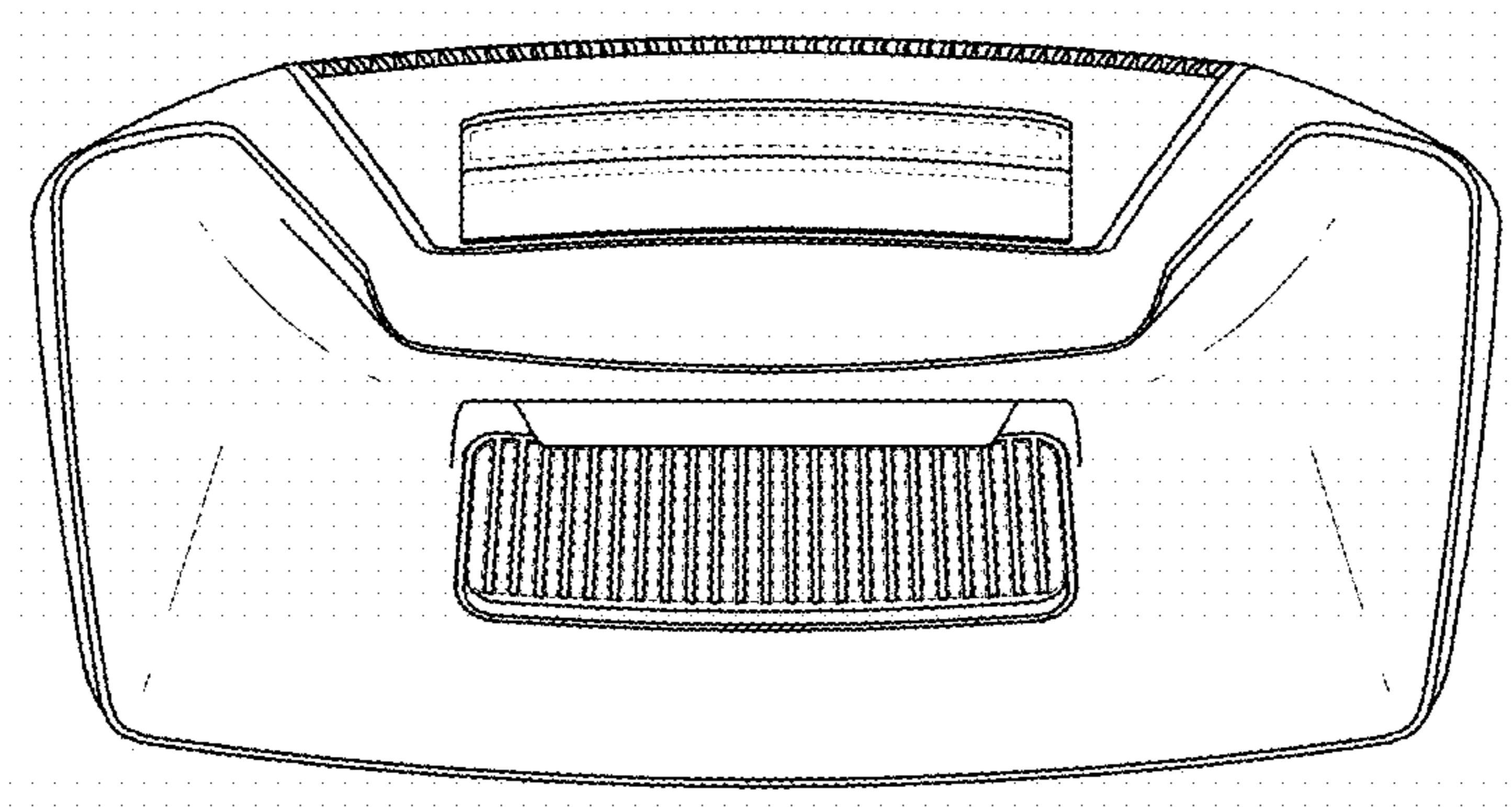
1.1



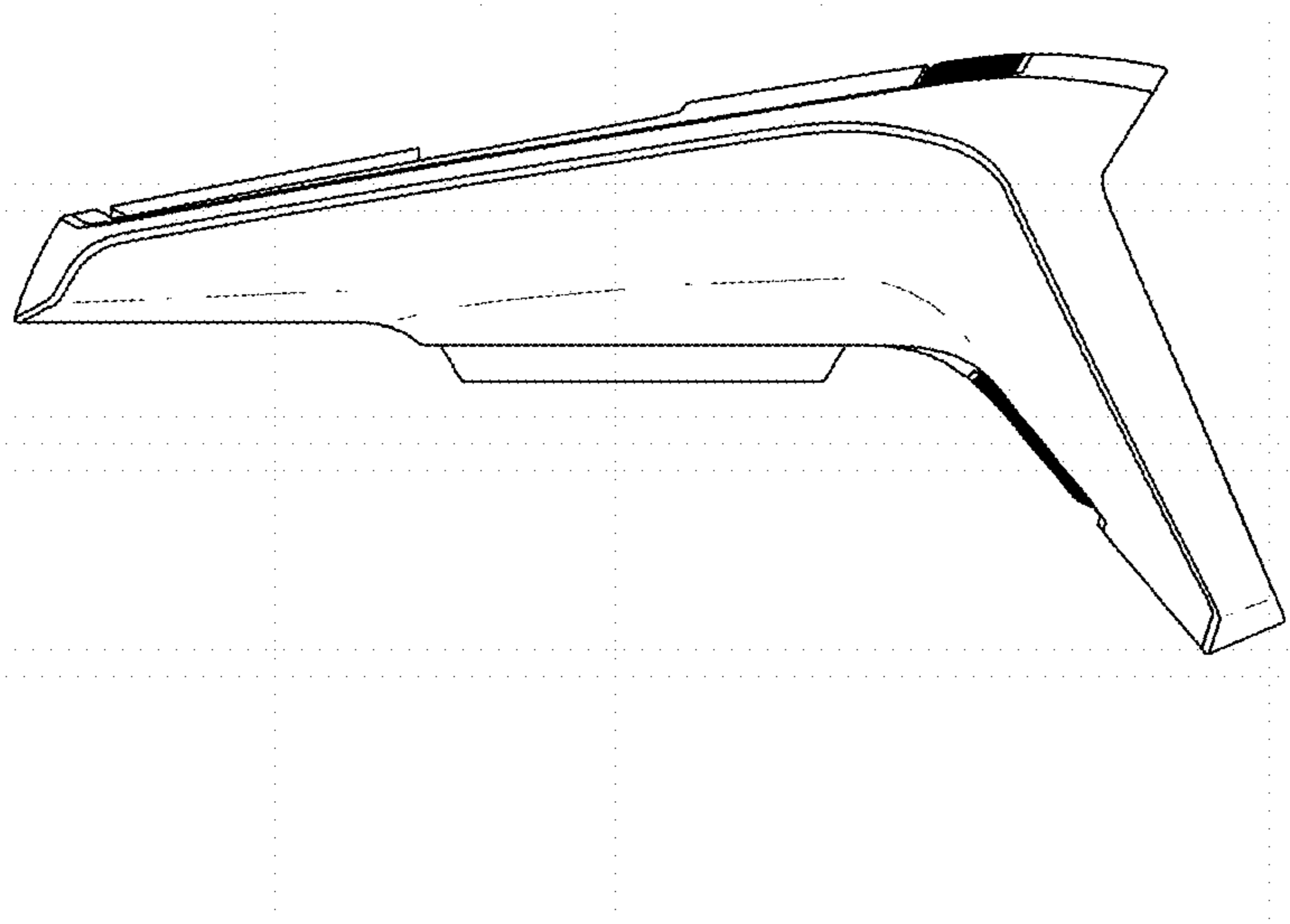
1.2



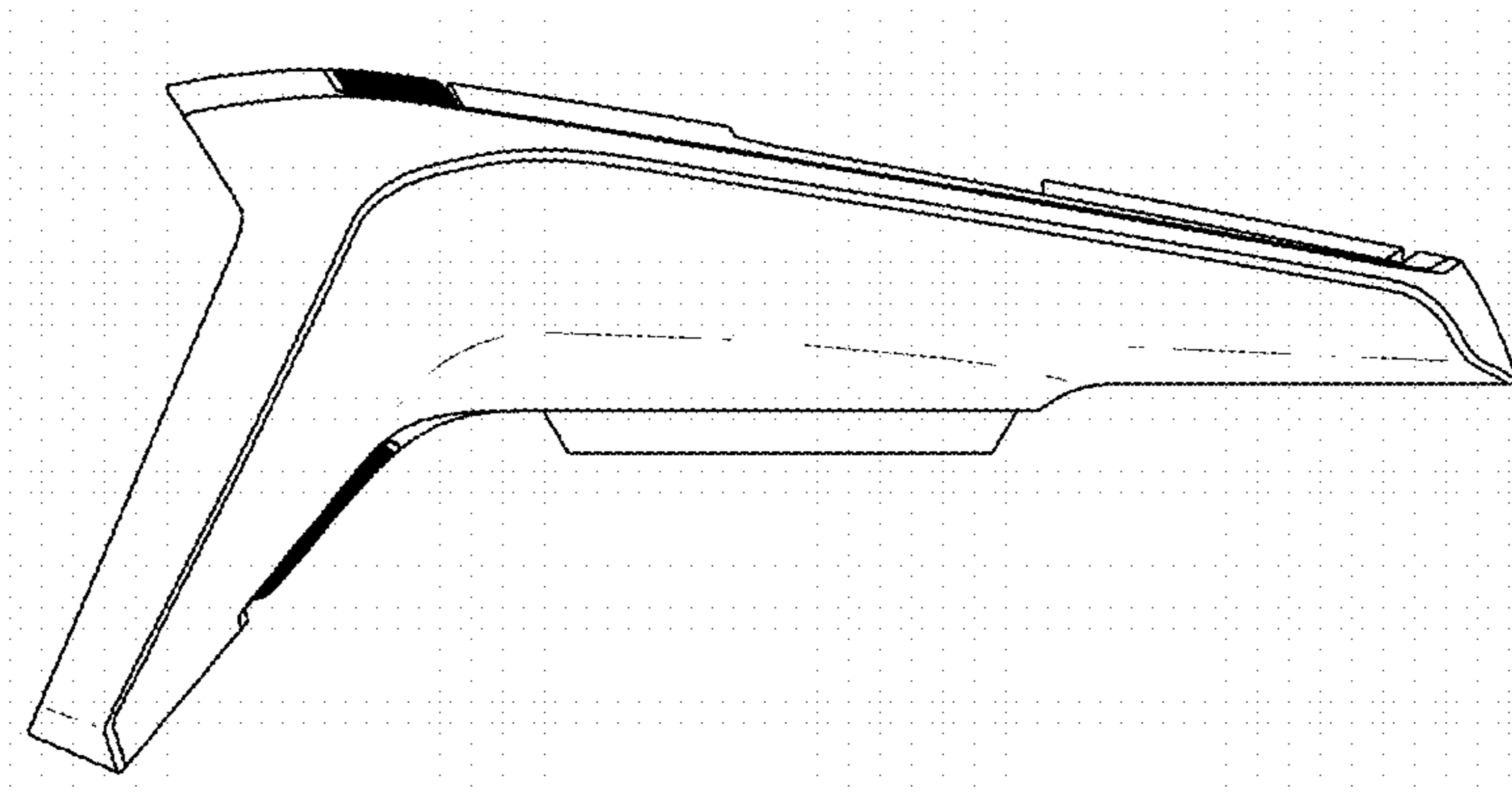
1.3



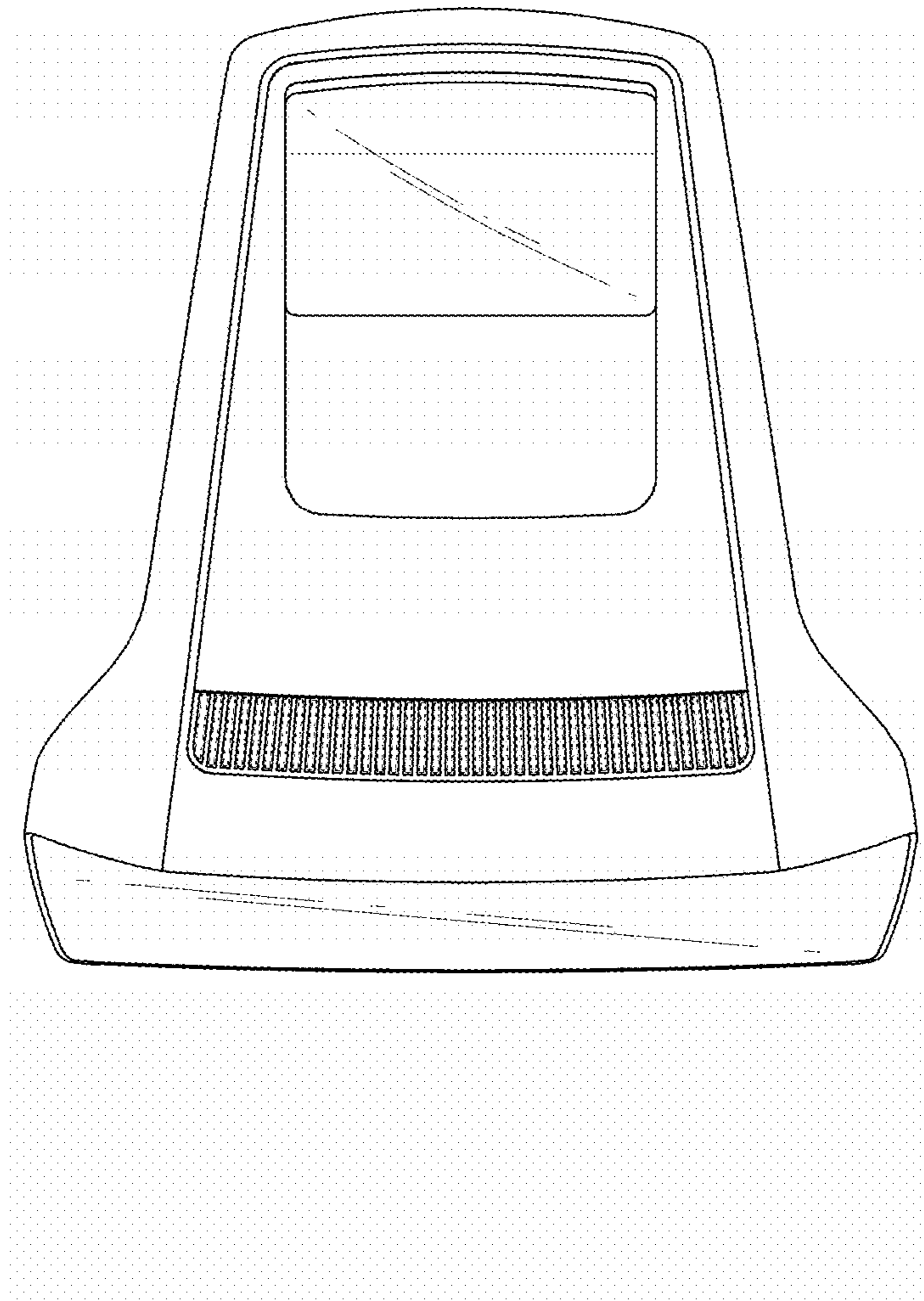
1.4



1.5

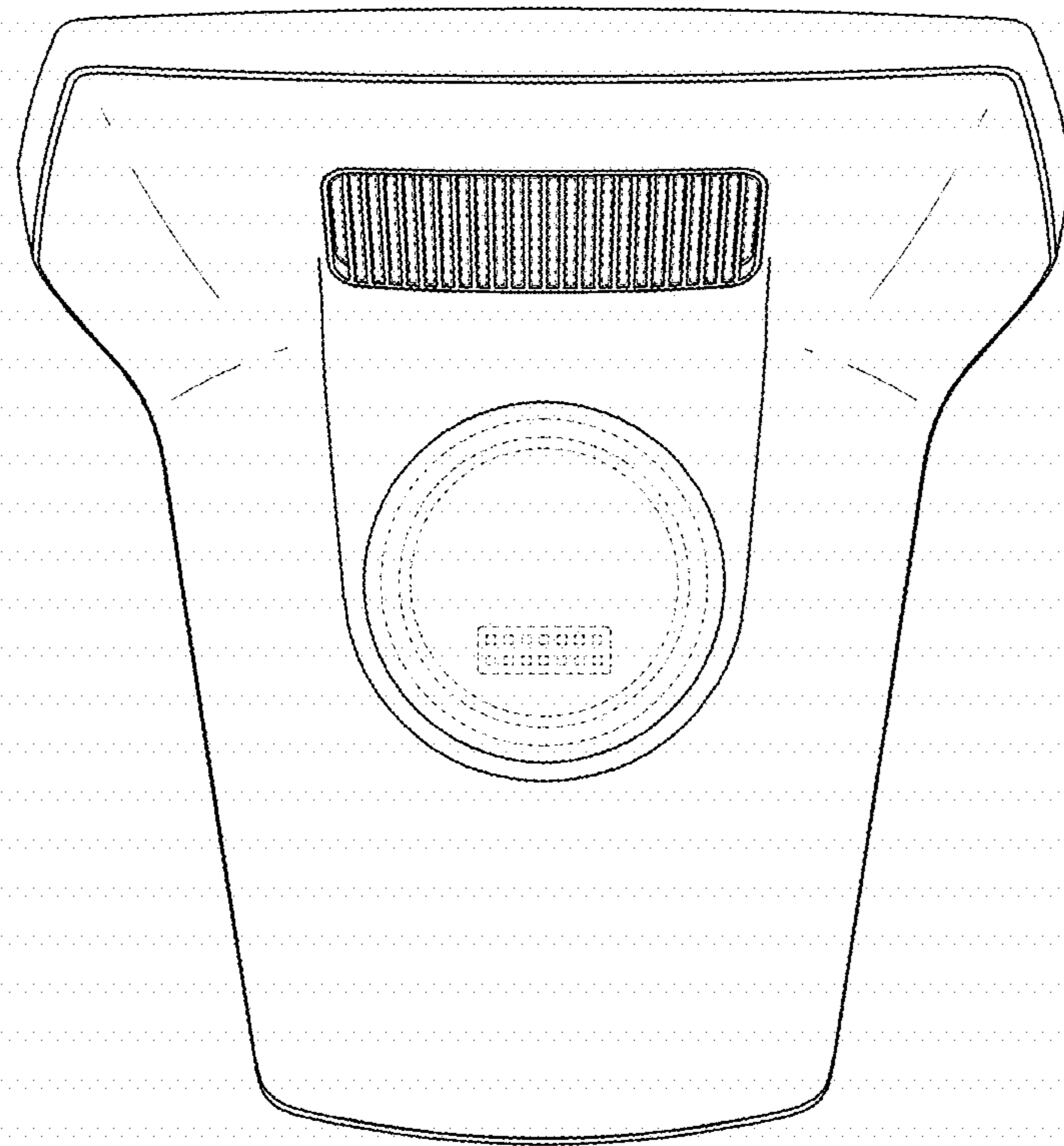


1.6





1.7



1.8

