



US00D888628S

(12) **United States Design Patent**  
**Bennett et al.**

(10) **Patent No.:** **US D888,628 S**  
(45) **Date of Patent:** **\*\* Jun. 30, 2020**

- (54) **VEHICLE FRONT BUMPER**
- (71) Applicant: **OMIX-ADA, INC.**, Ann Arbor, MI (US)
- (72) Inventors: **Patrick W. Bennett**, Gainsville, GA (US); **Klayton David Roche**, Ocala, FL (US)
- (73) Assignee: **OMIX-ADA, INC.**, Ann Arbor, MI (US)

D432,469 S *	10/2000	Nelson	.....	D12/169
D454,098 S	3/2002	McGuiness		
D454,099 S	3/2002	McGuiness		
D454,525 S	3/2002	McGuiness		
D454,817 S	3/2002	McGuiness		
D455,684 S	3/2002	McGuiness		
D455,988 S	4/2002	McGuiness		
D460,030 S	7/2002	Duckett et al.		
D462,640 S	9/2002	Sakae		
6,520,553 B2	2/2003	Muramatsu		
D473,167 S	4/2003	Shiono		
D473,168 S	4/2003	Hayashi		
D497,853 S	11/2004	Yanase		

(Continued)

(\*\*) Term: **15 Years**

- (21) Appl. No.: **29/667,659**
- (22) Filed: **Oct. 23, 2018**
- (51) **LOC (12) Cl.** ..... **12-16**
- (52) **U.S. Cl.**  
USPC ..... **D12/171**; D12/169
- (58) **Field of Classification Search**  
USPC ..... D12/86, 90, 91, 92, 163, 164, 169, 171, D12/196, 216  
CPC ..... B60R 19/02; B60R 19/18; B60R 19/24; B60R 19/56; B60R 2019/007; B62D 25/0845  
See application file for complete search history.

(56) **References Cited**

**U.S. PATENT DOCUMENTS**

1,531,022 A	3/1925	Pancoast		
D100,599 S	7/1936	Fitness		
D109,385 S	4/1938	Bade		
D115,146 S	1/1939	Falcon		
D116,071 S	8/1939	Walklet		
D137,040 S	1/1944	Cadwallader		
D127,664 S	6/1947	Walker		
2,731,289 A	1/1956	Corydon, II		
D300,128 S *	3/1989	Brennan	.....	D12/169
D360,865 S	8/1995	Hanson		
D375,067 S *	10/1996	Bronstein	.....	D12/169

**OTHER PUBLICATIONS**

Potentially Related U.S. Appl. No. 29/579,007, filed Sep. 27, 2016, granted as U.S. Pat. No. D800,036 on Oct. 17, 2017.

(Continued)

*Primary Examiner* — Darlington Ly  
(74) *Attorney, Agent, or Firm* — The Dobrusin Law Firm, P.C.

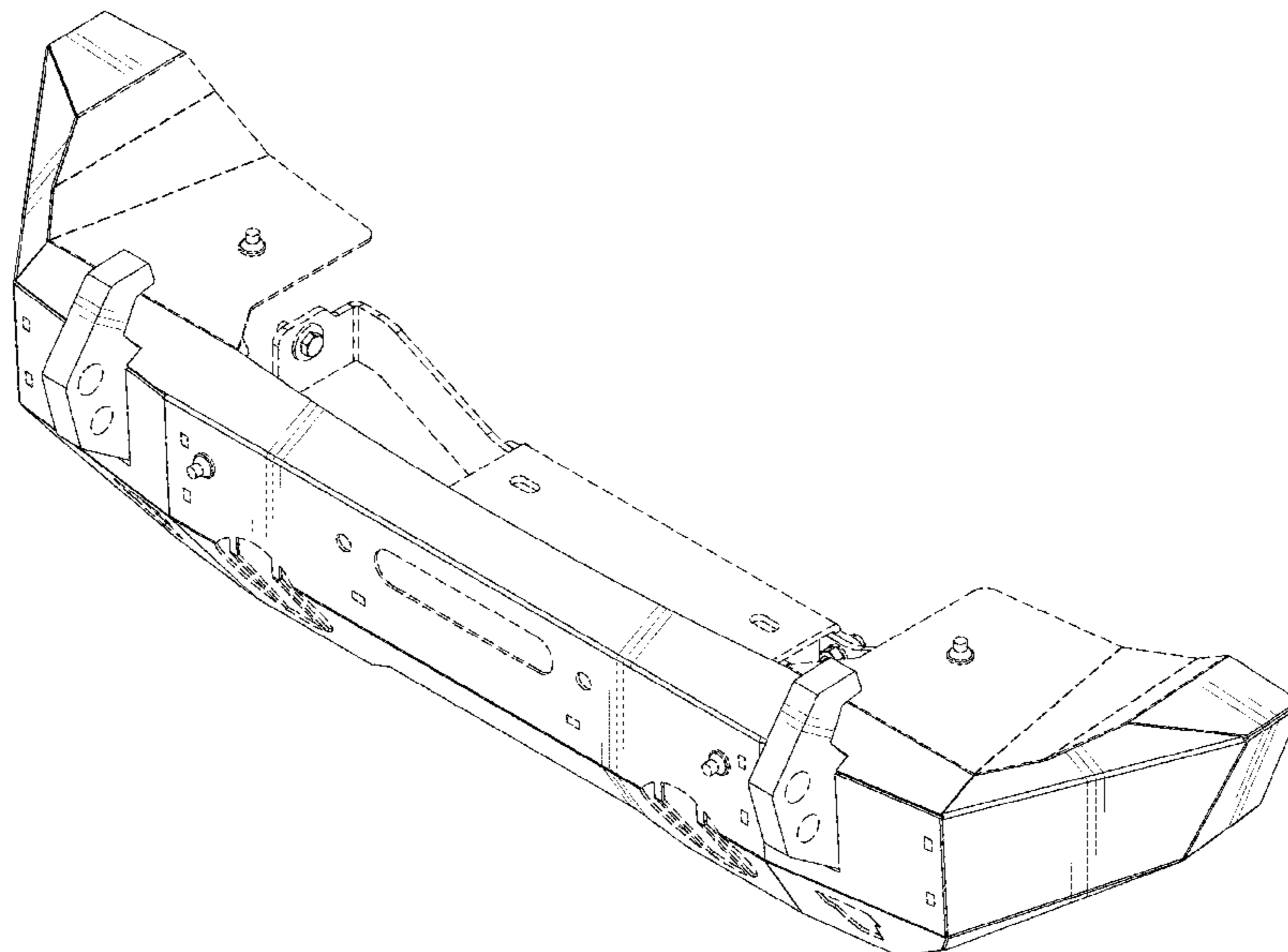
(57) **CLAIM**

The ornamental design for a vehicle front bumper, as shown and described.

**DESCRIPTION**

FIG. 1 is a perspective view of a vehicle front bumper showing my new design;  
FIG. 2 is a front elevation view thereof;  
FIG. 3 is a rear elevation view thereof;  
FIG. 4 is a top plan view thereof;  
FIG. 5 is a bottom plan view thereof;  
FIG. 6 is a right side elevation view thereof; and,  
FIG. 7 is a left side elevation view thereof.  
The broken lines in the drawings illustrate portions of the vehicle front bumper that form no part of the claimed design.

**1 Claim, 4 Drawing Sheets**





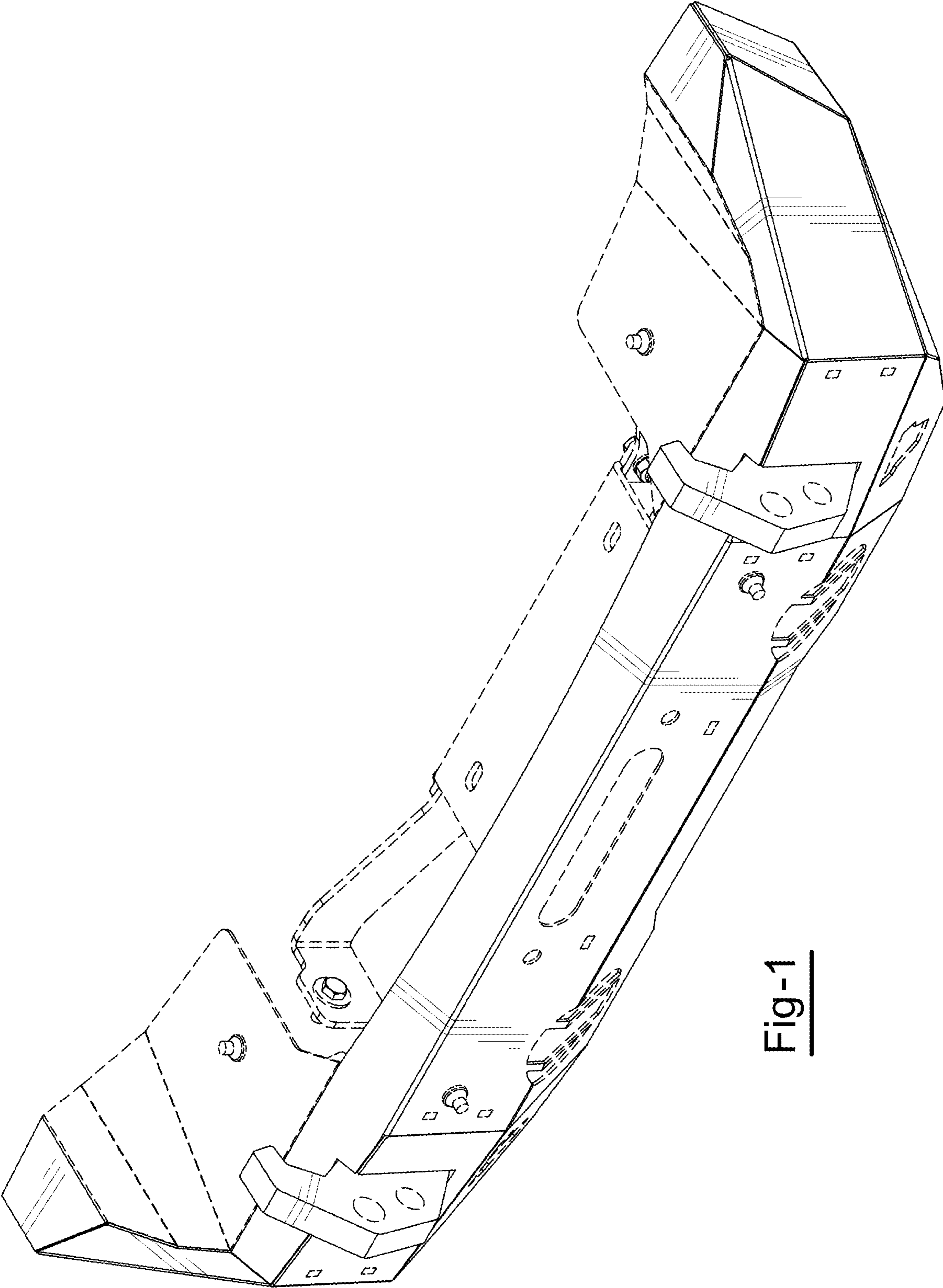


Fig-1

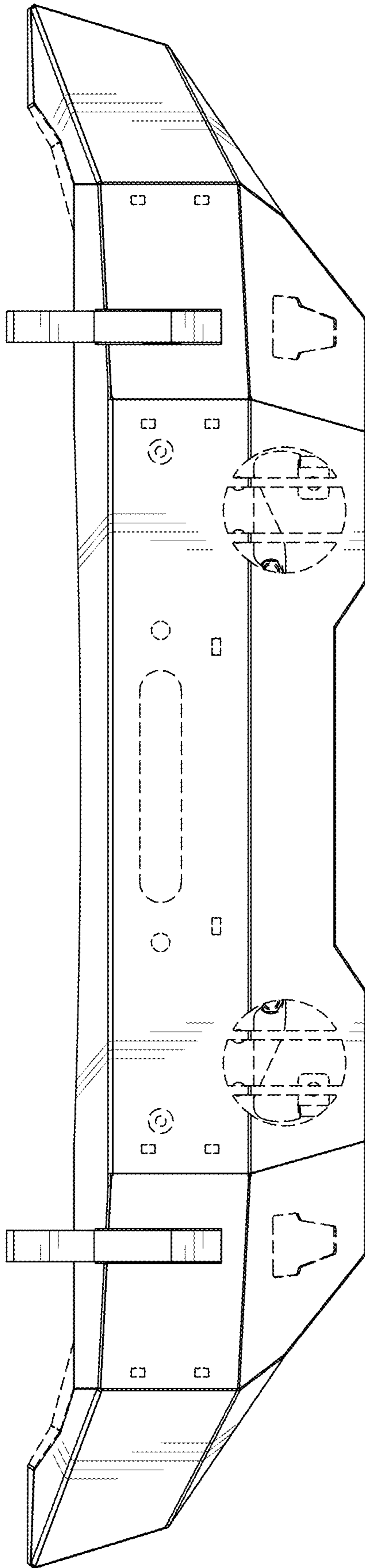


Fig-2

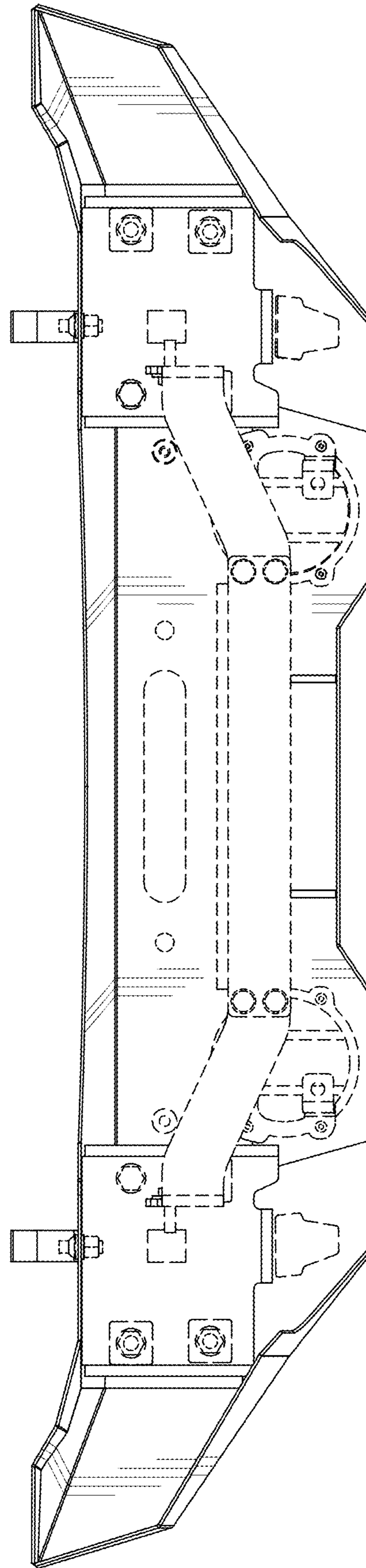


Fig-3

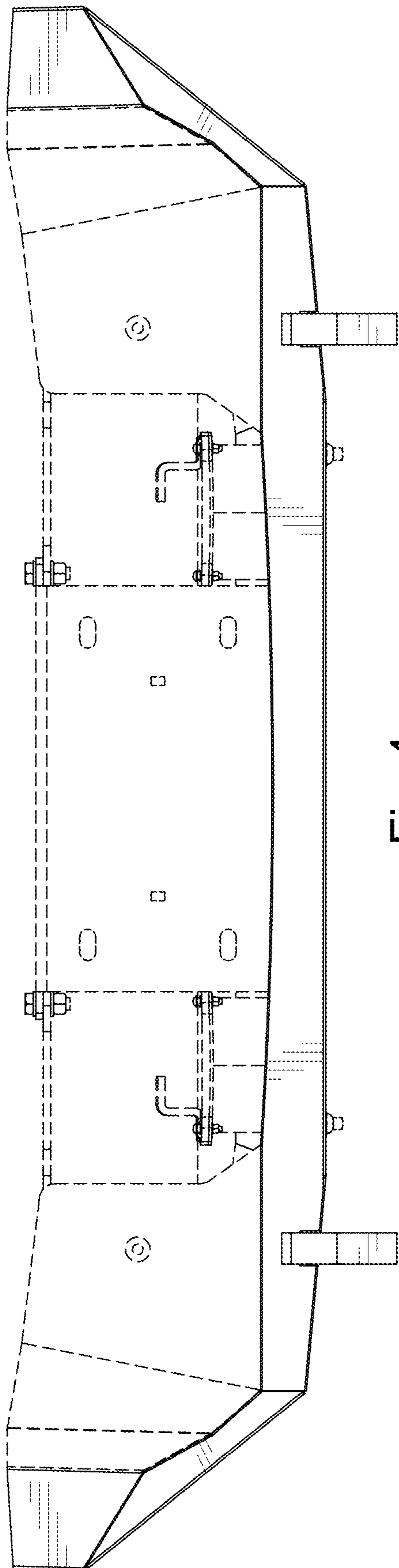


Fig-4

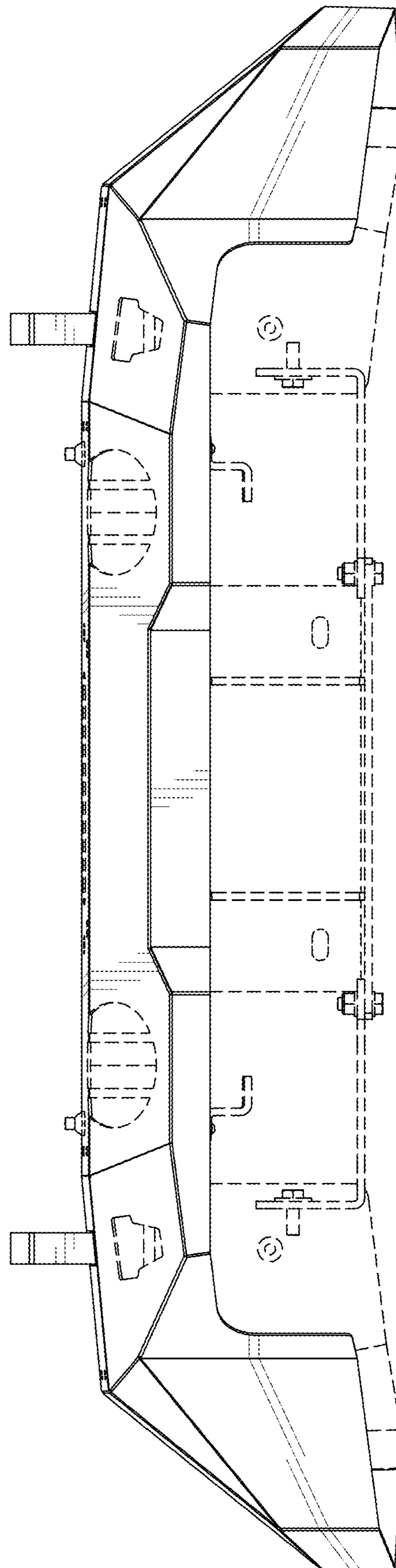


Fig-5

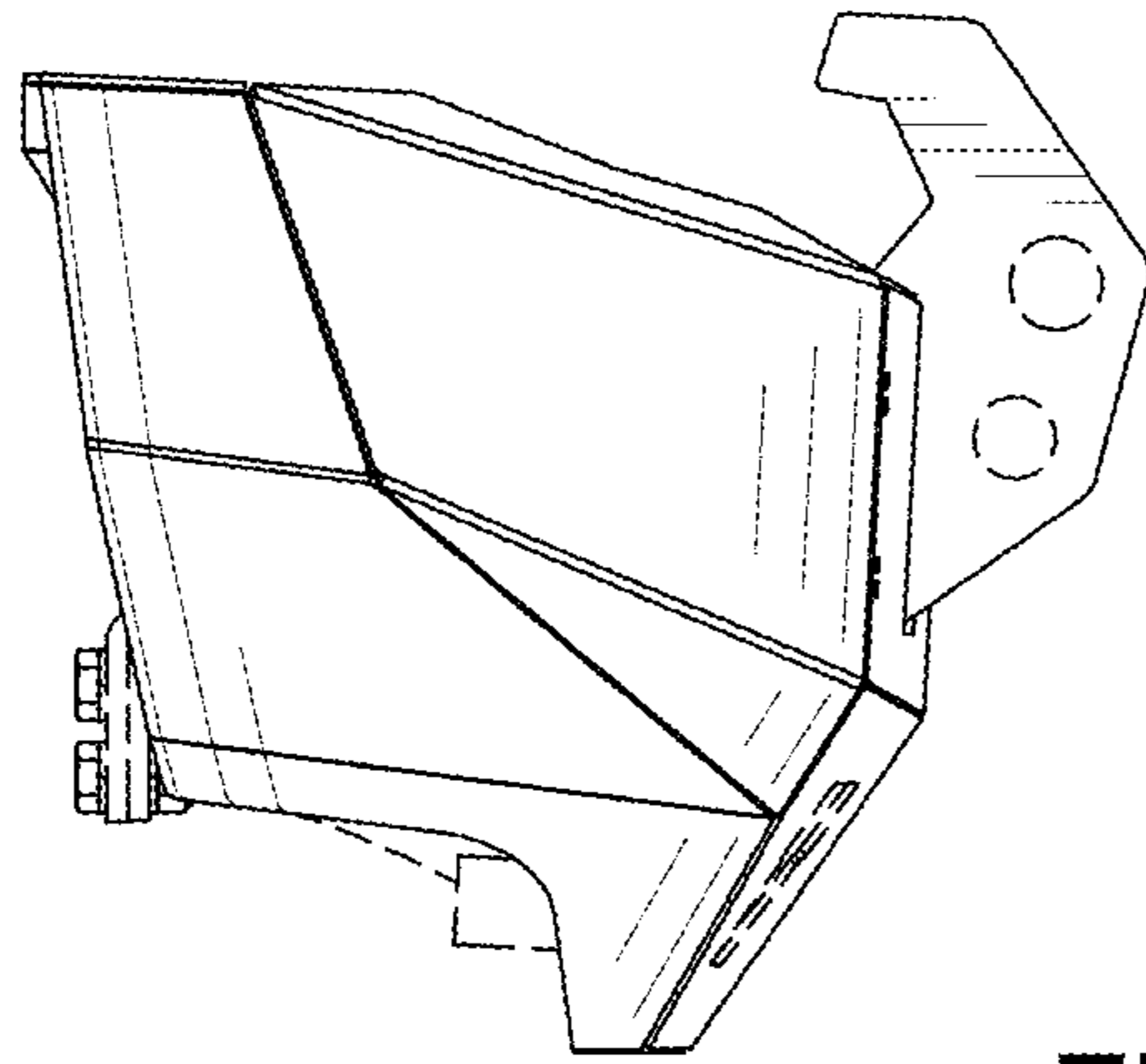


Fig-6

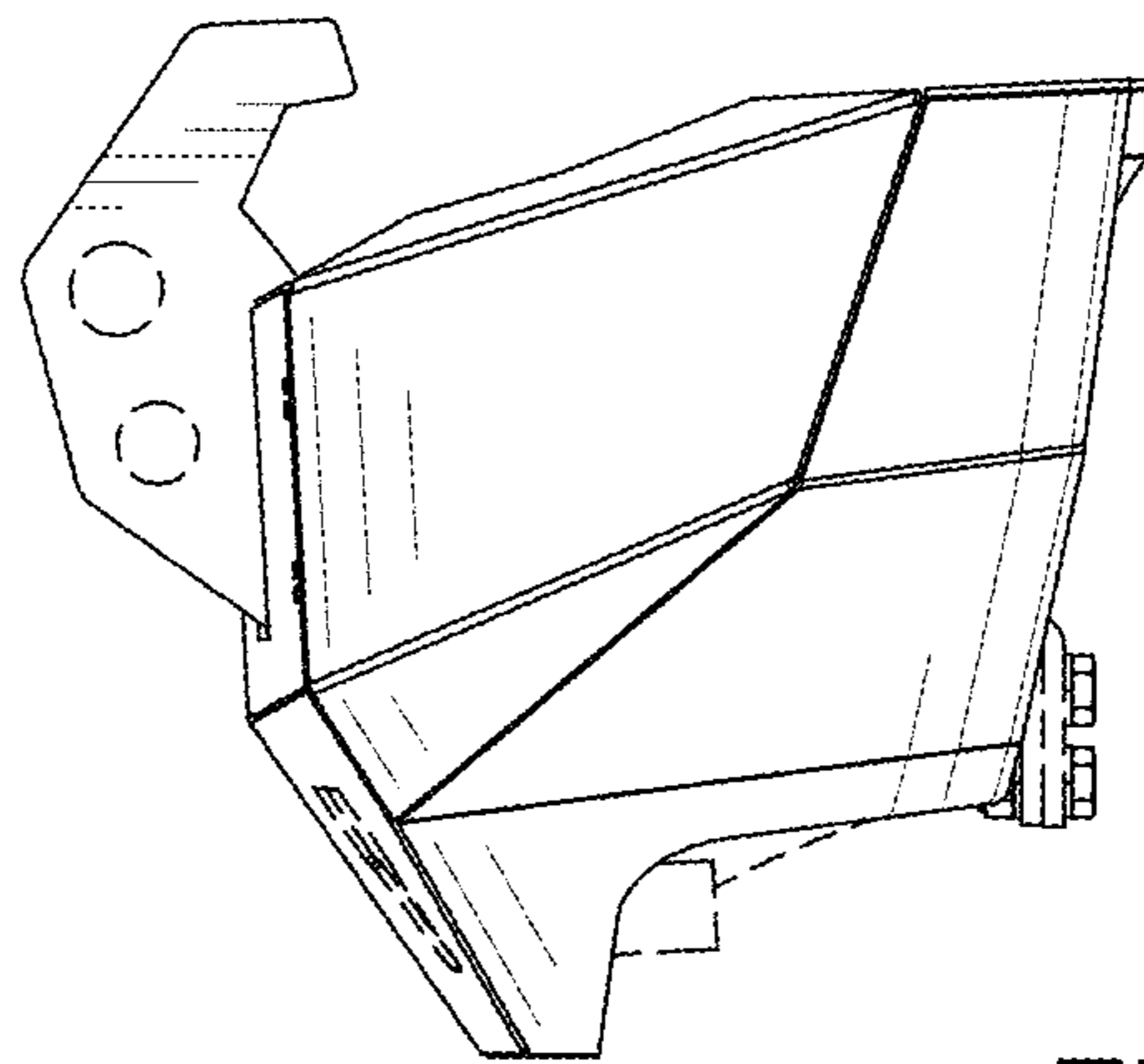


Fig-7