



US00D888624S

(12) **United States Design Patent**
Badstuebner et al.

(10) **Patent No.:** **US D888,624 S**

(45) **Date of Patent:** **** Jun. 30, 2020**

(54) **FRONT PORTION OF A VEHICLE, TOY,
AND/OR REPLICAS THEREOF**

(71) Applicant: **Daimler AG**, Stuttgart (DE)

(72) Inventors: **Achim-Dietrich Badstuebner**, Munich (DE); **Robert Lesnik**, Leonberg (DE); **Peter Riedel**, Holzgerlingen (DE); **Gert Stolz**, Stuttgart (DE)

(73) Assignee: **Daimler AG**, Stuttgart (DE)

(**) Term: **15 Years**

(21) Appl. No.: **29/691,562**

(22) Filed: **May 17, 2019**

(30) **Foreign Application Priority Data**

Nov. 20, 2018 (DE) 40 2018 203 916.4

(51) **LOC (12) Cl.** **12-16**

(52) **U.S. Cl.**
USPC **D12/164**

(58) **Field of Classification Search**
USPC D12/86, 90-92, 164; D21/424, 433, 434;
296/181.1-181.5, 183.1
CPC B62D 25/00; B62D 25/06; B62D 33/00;
B62D 35/00
See application file for complete search history.

(56) **References Cited**

U.S. PATENT DOCUMENTS

D744,383 S * 12/2015 Futschik et al. D12/92
D757,611 S 5/2016 Lesnik et al.
D757,615 S 5/2016 Lesnik et al.
D758,258 S 6/2016 Lesnik et al.
D761,159 S * 7/2016 Lesnik et al. D12/92

D769,774 S * 10/2016 Lesnik et al. D12/92
D798,770 S * 10/2017 Lesnik D12/92
D799,377 S * 10/2017 Lesnik D12/91
D799,378 S * 10/2017 Lee et al. D12/91
D808,305 S * 1/2018 Badstuebner et al. D12/91
D824,808 S * 8/2018 Badstuebner et al. D12/91
D827,514 S * 9/2018 Badstuebner D12/91
D836,490 S * 12/2018 Futschik et al. D12/91
D859,216 S * 9/2019 Badstuebner D12/91

* cited by examiner

Primary Examiner — Melody N Brown

(74) *Attorney, Agent, or Firm* — Crowell & Moring LLP

(57) **CLAIM**

The ornamental design for a front portion of a vehicle, toy, and/or replicas thereof, as shown and described.

DESCRIPTION

This application contains subject matter related to the following co-pending U.S. design patent applications:

Application Ser. No. 29/692,034, filed May 22, 2019 and entitled "Front Portion of a Vehicle, Toy, and/or Replicas Thereof," and

Application Ser. No. 29/691,564, filed May 17, 2019 and entitled "Headlight for a Vehicle."

FIG. 1 is a right, front perspective view of a front portion of a vehicle, toy, and/or replicas thereof according to the design;

FIG. 2 is a right, rear perspective view thereof;

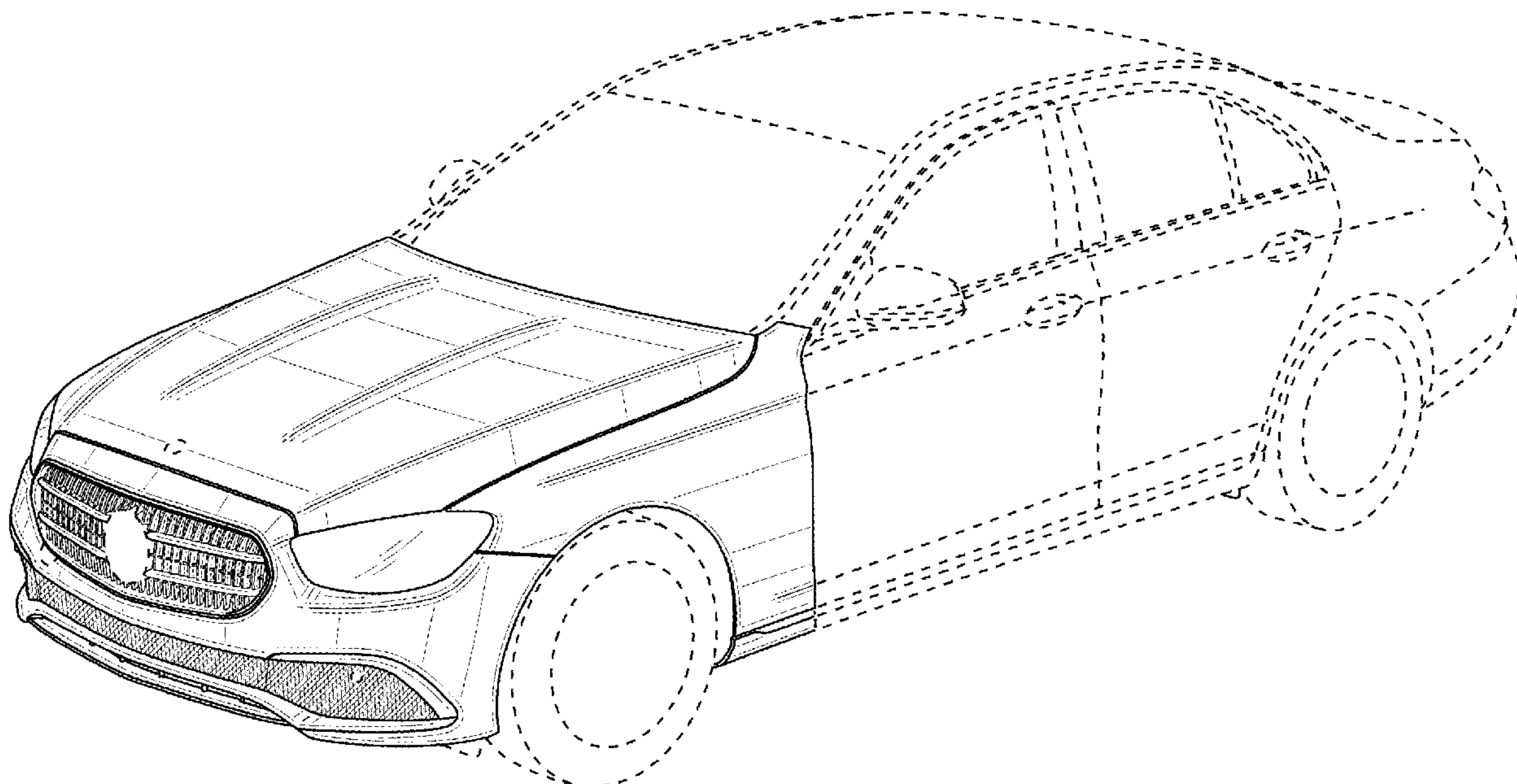
FIG. 3 is a front view thereof;

FIG. 4 is a left side view thereof; and,

FIG. 5 is a top view thereof.

The broken lines in the drawings illustrate environmental subject matter only and form no part of the claimed design. Also enclosed is a set of photographs of an embodiment of the design.

1 Claim, 5 Drawing Sheets



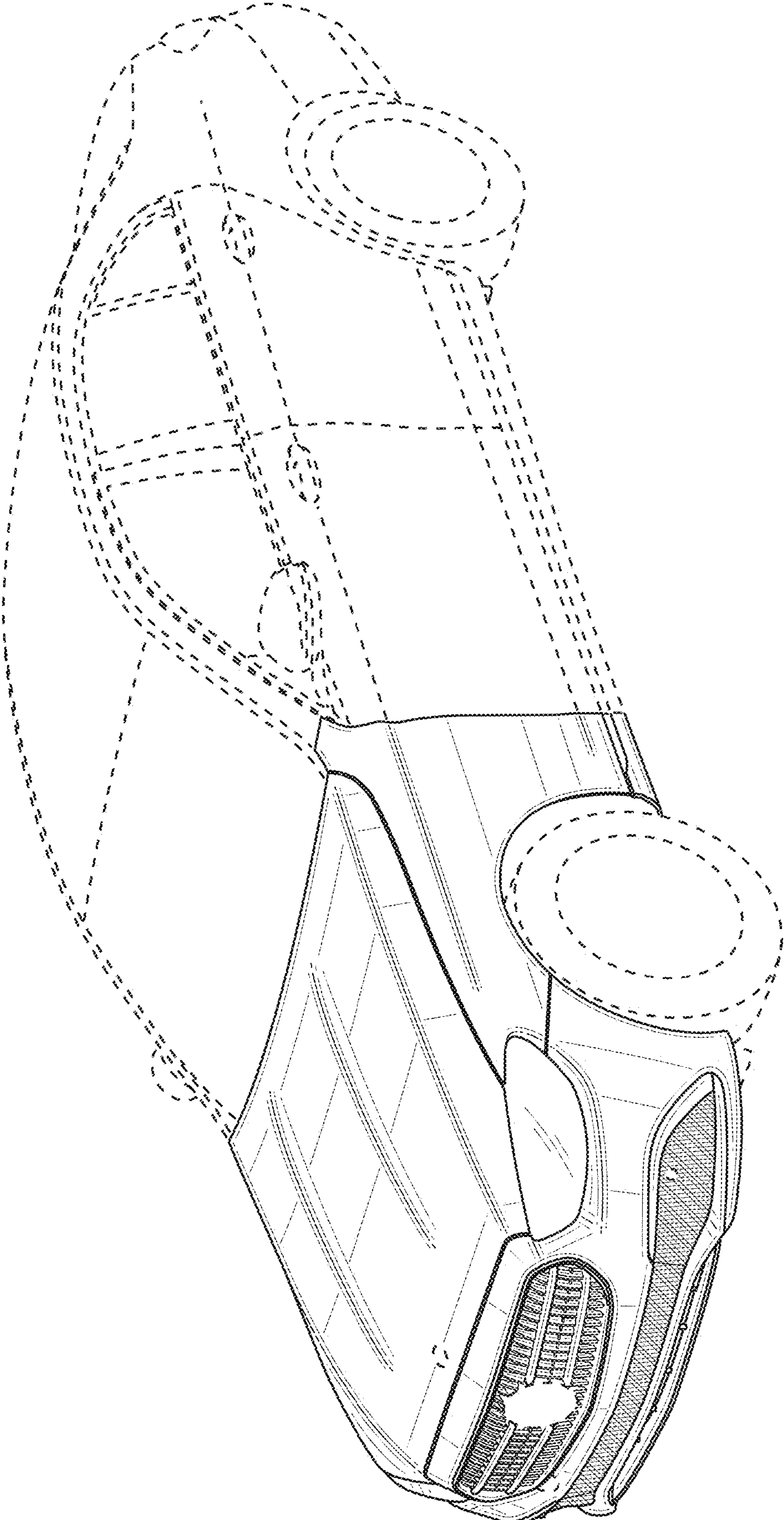


FIG. 1

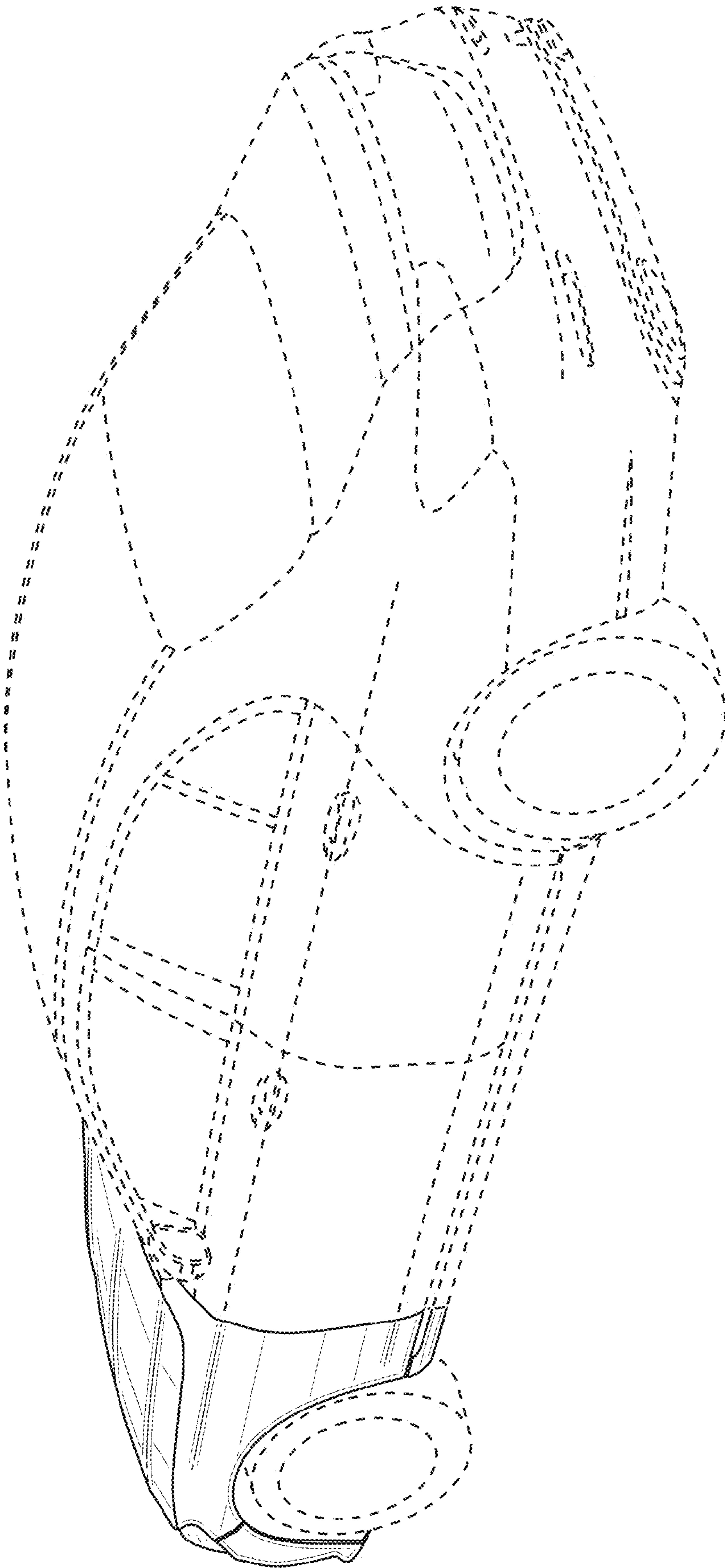


FIG. 2

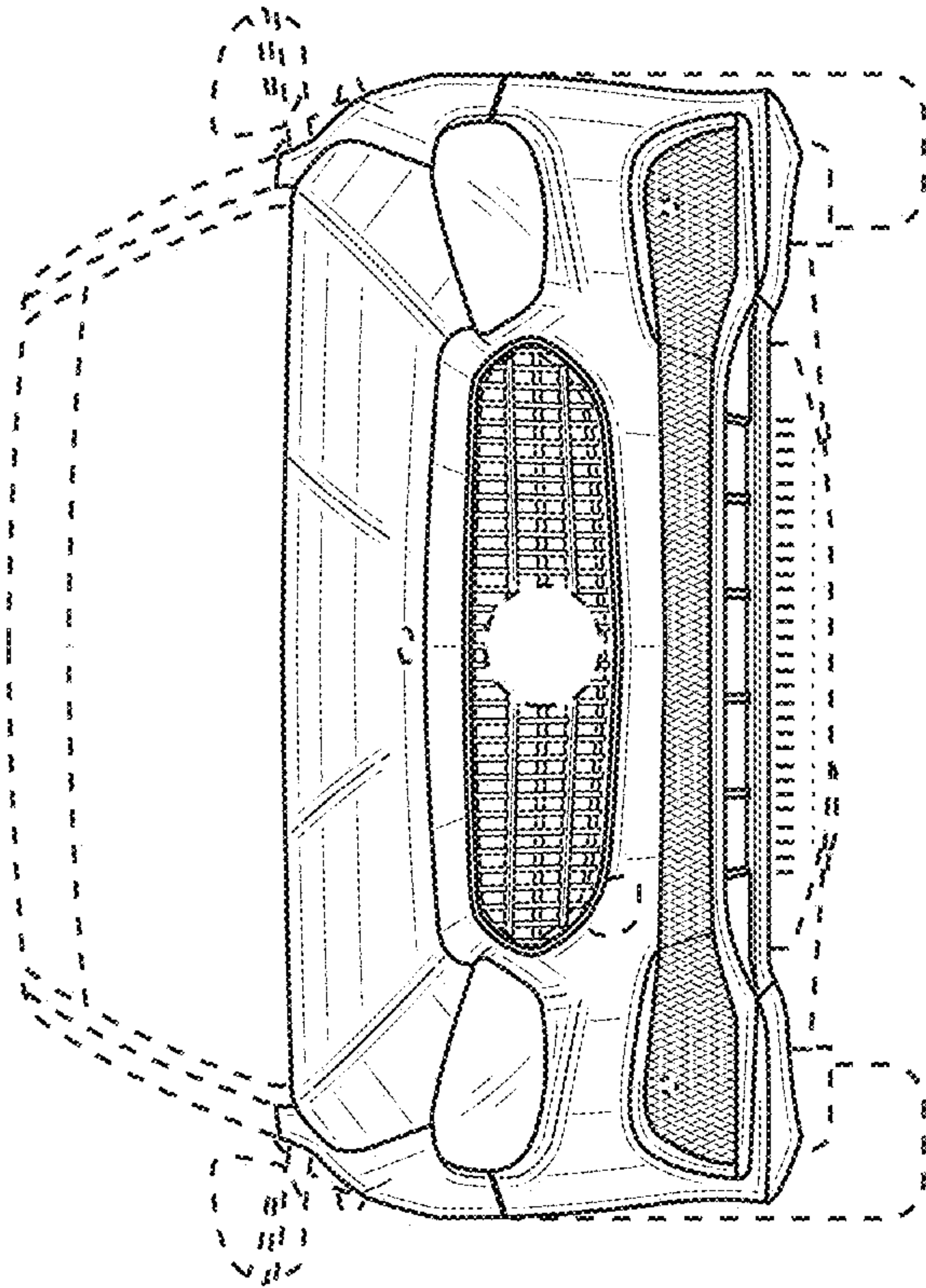


FIG. 3

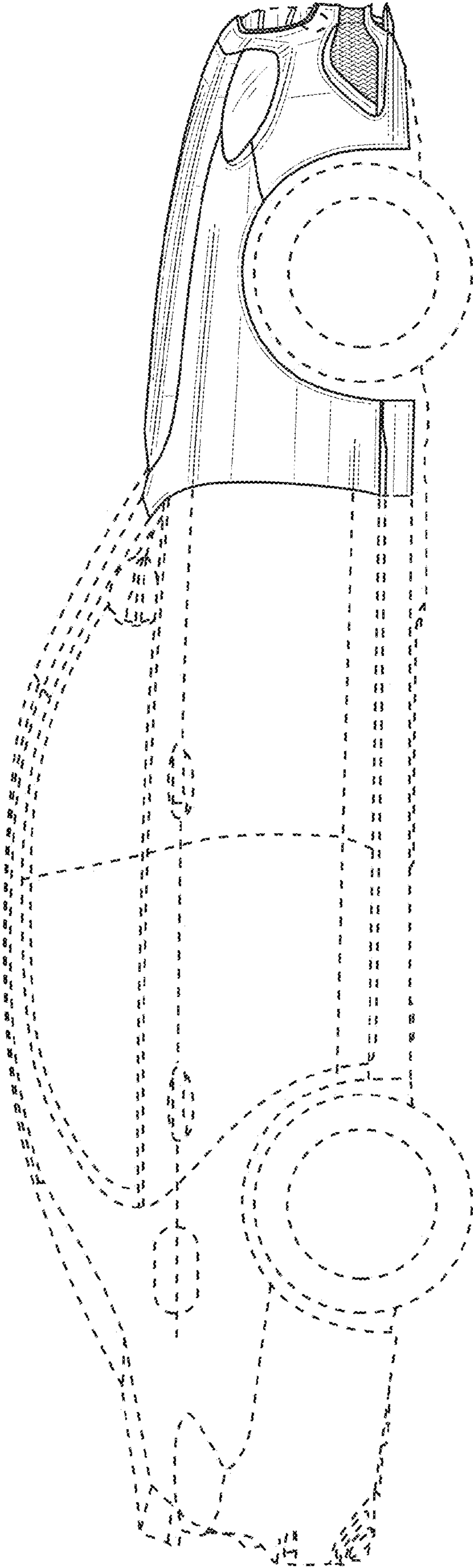


FIG. 4

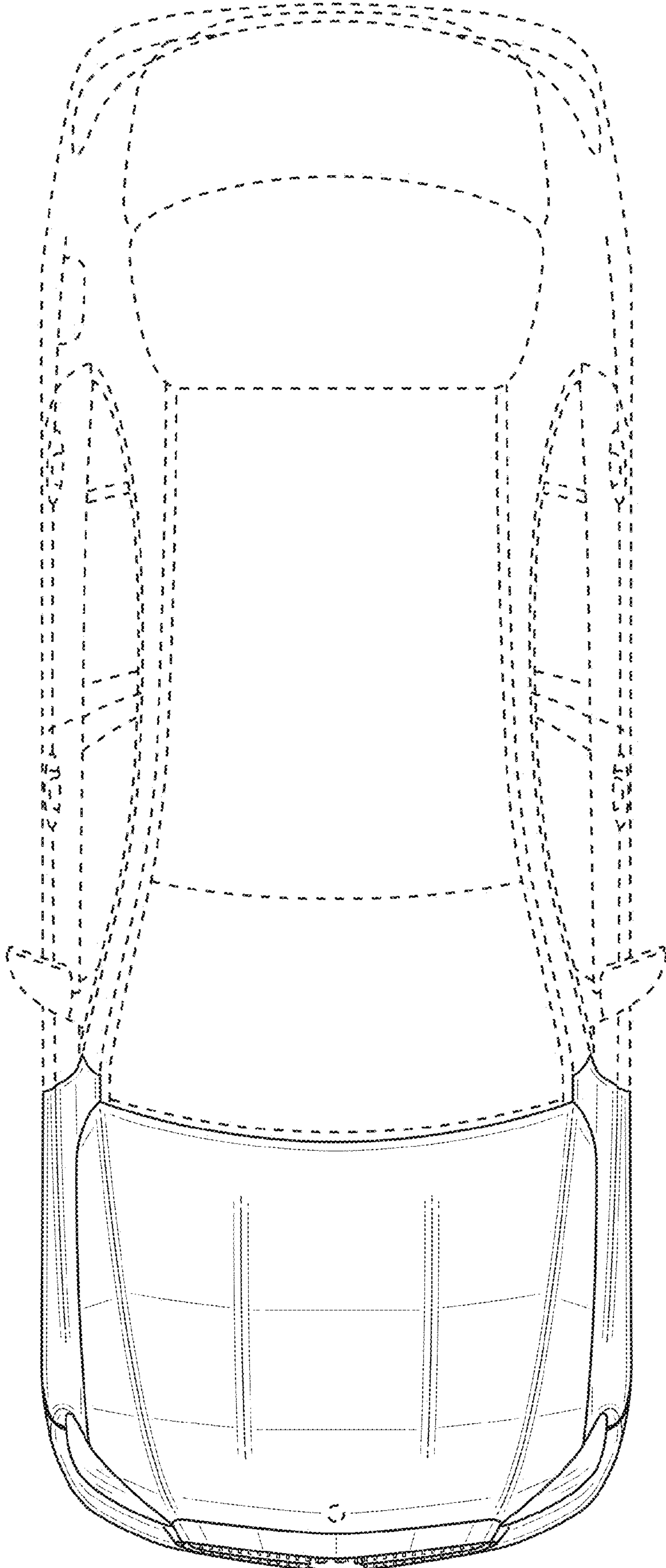


FIG. 5