



US00D888623S

(12) **United States Design Patent**
Vidojkovic

(10) **Patent No.:** **US D888,623 S**

(45) **Date of Patent:** **** Jun. 30, 2020**

(54) **FRONT PORTION OF A VEHICLE, TOY,
AND/OR REPLICAS THEREOF**

(71) Applicant: **Daimler AG**, Stuttgart (DE)

(72) Inventor: **Dalibor Vidojkovic**, Affalterbach (DE)

(73) Assignee: **Daimier AG**, Stuttgart (DE)

(**) Term: **15 Years**

(21) Appl. No.: **29/687,324**

(22) Filed: **Apr. 12, 2019**

(30) **Foreign Application Priority Data**

Oct. 16, 2018 (EM) 005799608

(51) **LOC (12) Cl.** **12-16**

(52) **U.S. Cl.**
USPC **D12/164**

(58) **Field of Classification Search**
USPC D12/86, 90-92, 164; D21/424, 433, 434;
296/181.1-181.5, 183.1
CPC B62D 25/00; B62D 25/06; B62D 33/00;
B62D 35/00
See application file for complete search history.

(56) **References Cited**

U.S. PATENT DOCUMENTS

D643,339 S 8/2011 Burki et al.
D813,726 S * 3/2018 Tanghe D12/91

D813,727 S * 3/2018 Beermann D12/92
D821,919 S * 7/2018 Simm D12/91
D825,383 S * 8/2018 Luk D12/91
D825,390 S * 8/2018 Al Attar D12/92
D826,783 S * 8/2018 Badstuebner D12/92
D827,497 S * 9/2018 Frei D12/91
D827,514 S * 9/2018 Badstuebner D12/164
D828,244 S * 9/2018 Frei D12/164
D831,540 S * 10/2018 Buckingham D12/92
D837,692 S * 1/2019 Badstuebner D12/91
D862,287 S * 10/2019 Badstuebner D12/91
D873,715 S * 1/2020 Badstuebner D12/91

* cited by examiner

Primary Examiner — Melody N Brown

(74) *Attorney, Agent, or Firm* — Crowell & Moring LLP

(57) **CLAIM**

The ornamental design for a front portion of a vehicle, toy, and/or replicas thereof, as shown and described.

DESCRIPTION

FIG. 1 is a right, front perspective view of a front portion of a vehicle, toy, and/or replicas thereof according to the design;

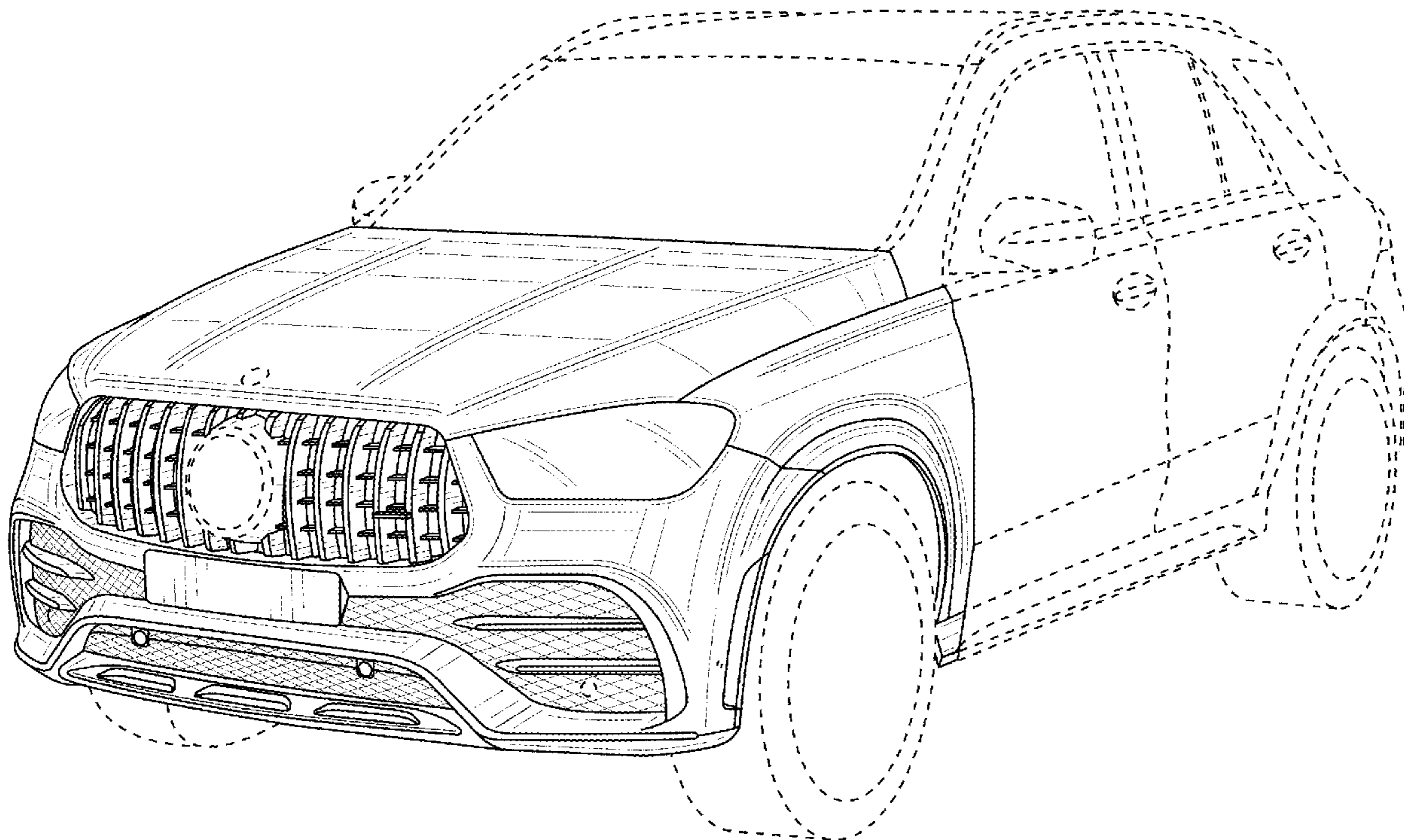
FIG. 2 is a front view thereof;

FIG. 3 is a right side view thereof, the left side view being mirror symmetrical; and,

FIG. 4 is a right, rear perspective view thereof.

The broken lines in the drawings illustrate environmental subject matter only and form no part of the claimed design. Also enclosed is a set of photographs of an embodiment of the design.

1 Claim, 4 Drawing Sheets



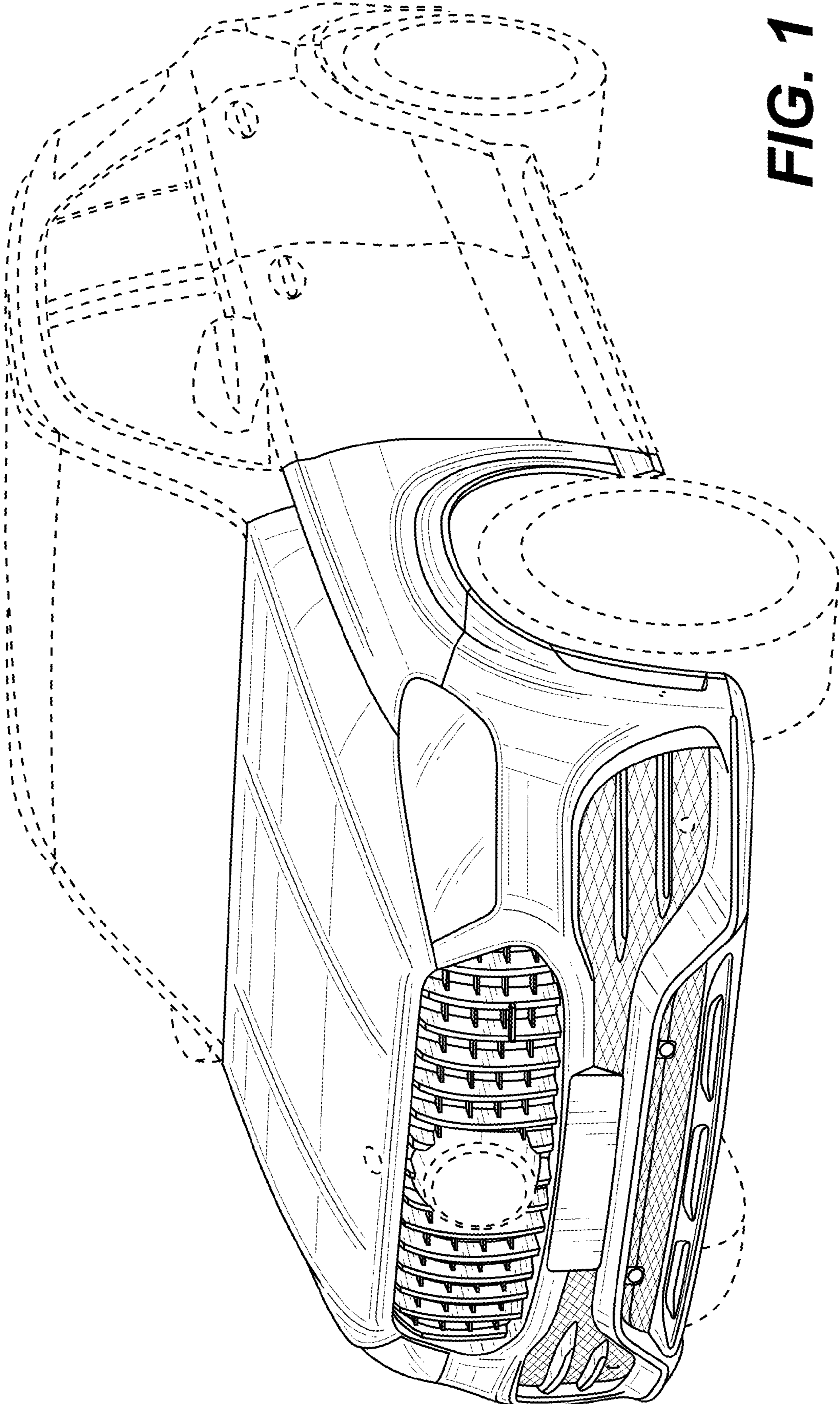


FIG. 1

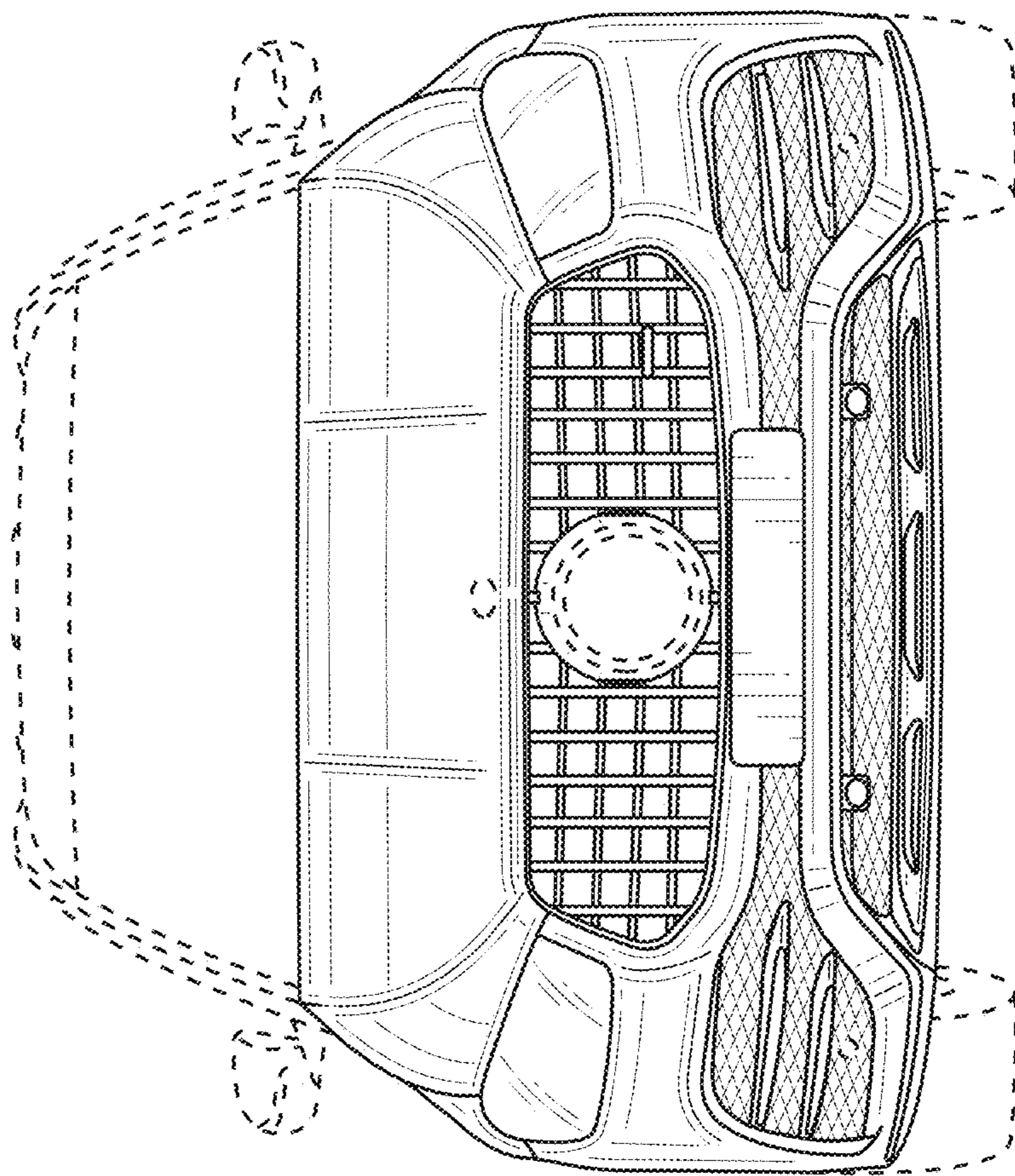


FIG. 2

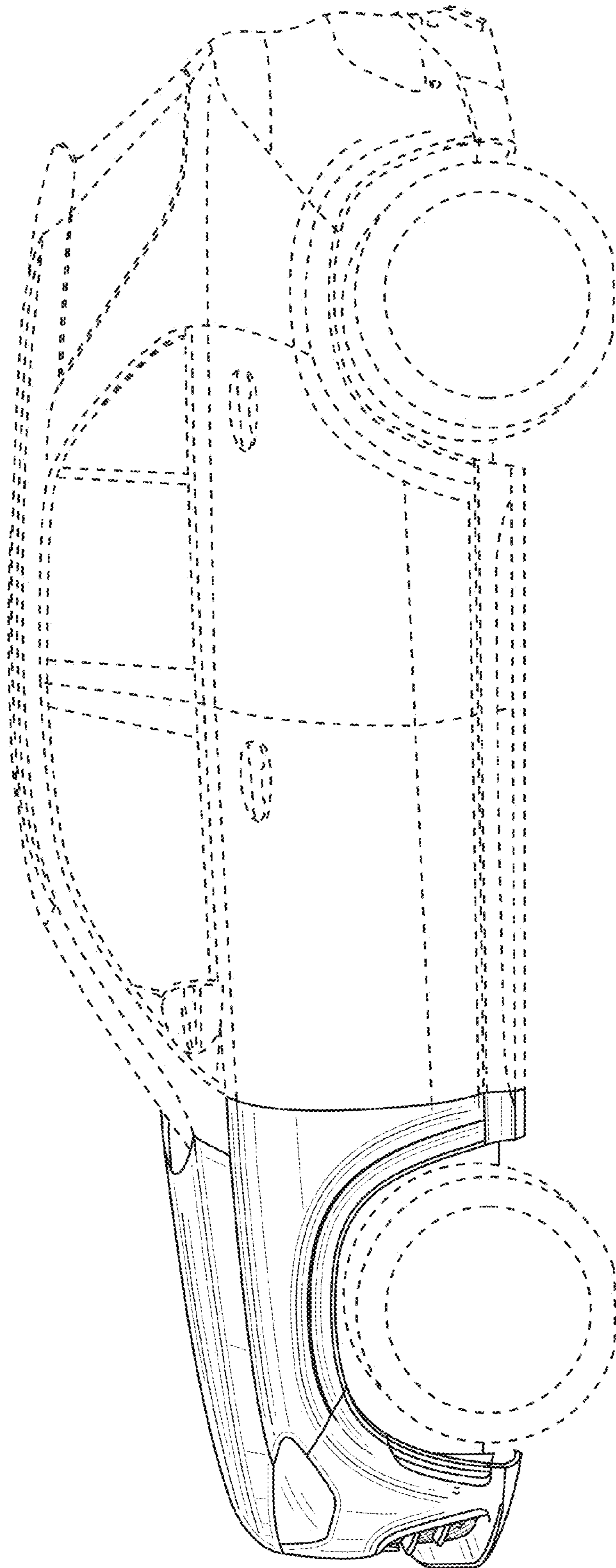


FIG. 3

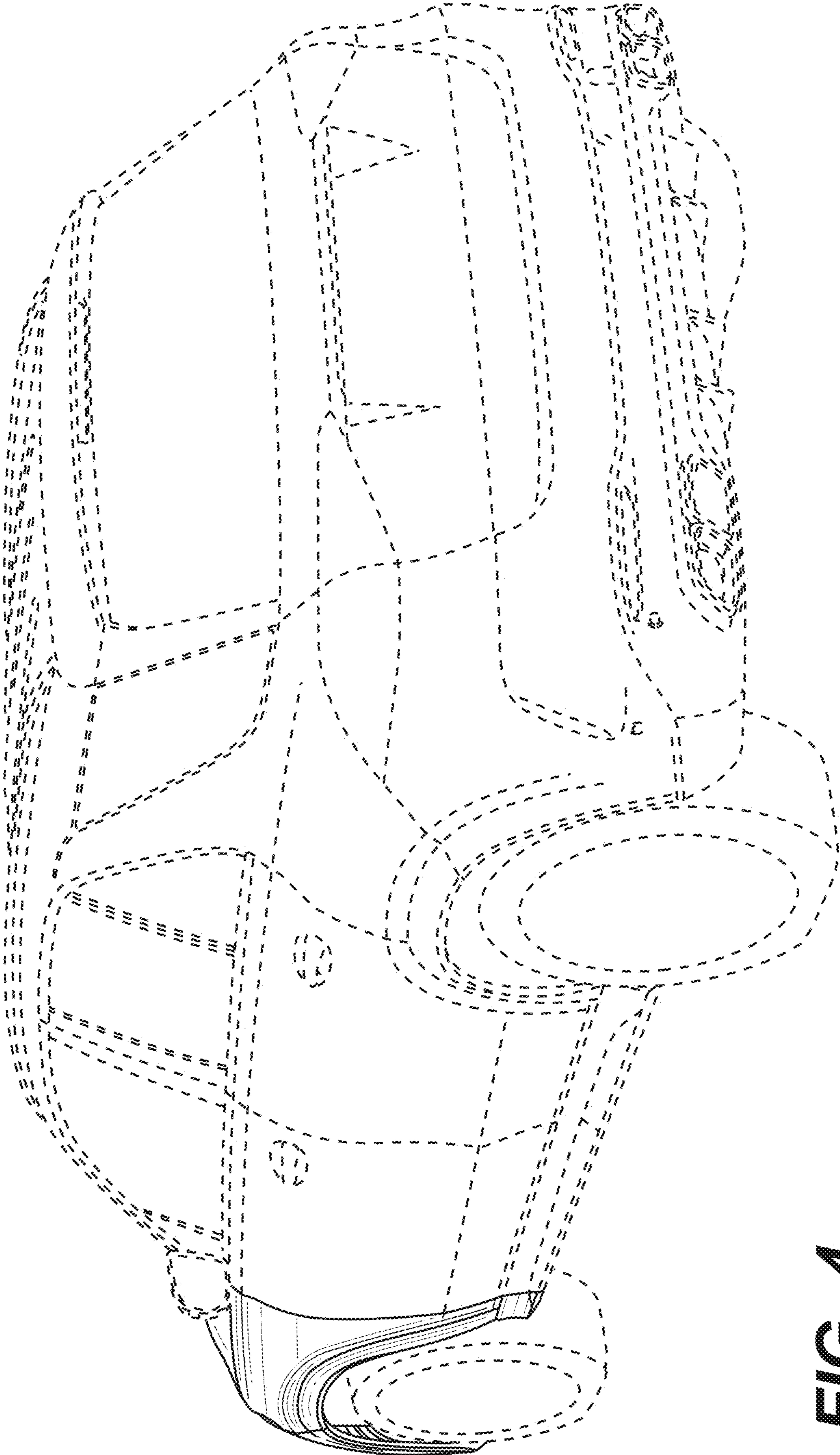


FIG. 4