



US00D888621S

(12) **United States Design Patent** (10) **Patent No.:** **US D888,621 S**
Gittin, Jr. et al. (45) **Date of Patent:** **** Jun. 30, 2020**

- (54) **PATTERNED GRILLE FOR A TRUCK**
- (71) Applicant: **Vaughn Gittin, Jr.**, Huntersville, NC (US)
- (72) Inventors: **Vaughn Gittin, Jr.**, Huntersville, NC (US); **Lindsay Ross**, Charlotte, NC (US)
- (73) Assignee: **Vaughn Gittin, Jr.**, Huntersville, NC (US)
- (**) Term: **15 Years**
- (21) Appl. No.: **29/701,082**
- (22) Filed: **Aug. 8, 2019**

D823,183 S *	7/2018	Yates	D12/163
D830,918 S *	10/2018	Kozub	D12/163
D848,319 S *	5/2019	McLean	D12/163
D853,896 S *	7/2019	Yang	D12/163
D859,226 S *	9/2019	Grooms	D12/163
D864,048 S *	10/2019	Gittin, Jr.	D12/163

OTHER PUBLICATIONS

EBAY,EAG ABS LED Vicious Packaged Mesh Grille W/RAPTOR,https://www.ebay.com/sch/sis.html?_itemId=null&_nkw=EAG+ABS+LED+Vicious+Packaged+Mesh+Gril&_trksid, downloaded Sep. 26, 2017.
 EBAY, 2009-2014 Ford F150 Black Vicious Style Black Mesh Bumper Hood Grille, <https://www.ebay.com/itm/2009-2014-Ford-F150-Black-Vicious-Style-B>, downloaded Sep. 26, 2017.

(Continued)

Primary Examiner — Susan Bennett Hattan
Assistant Examiner — Suzanne E Tisdell
 (74) *Attorney, Agent, or Firm* — Pitts & Lake, P.C.

(57) **CLAIM**

The ornamental design for a patterned grille for a truck, as shown and described.

DESCRIPTION

FIG. 1 is a perspective view of a patterned grille for a truck represented in a lite truck showing my new design;
 FIG. 2 is a perspective view of the patterned grille for a truck;
 FIG. 3 is a front elevation view thereof;
 FIG. 4 is a rear elevation view thereof;
 FIG. 5 is a top plan view thereof;
 FIG. 6 is a bottom plan view thereof; and,
 FIG. 7 is a left elevation view thereof, of which the right elevational view is a mirror image.
 The broken line showing in the drawings is included for illustrating and forms no part of the claimed design.

1 Claim, 6 Drawing Sheets

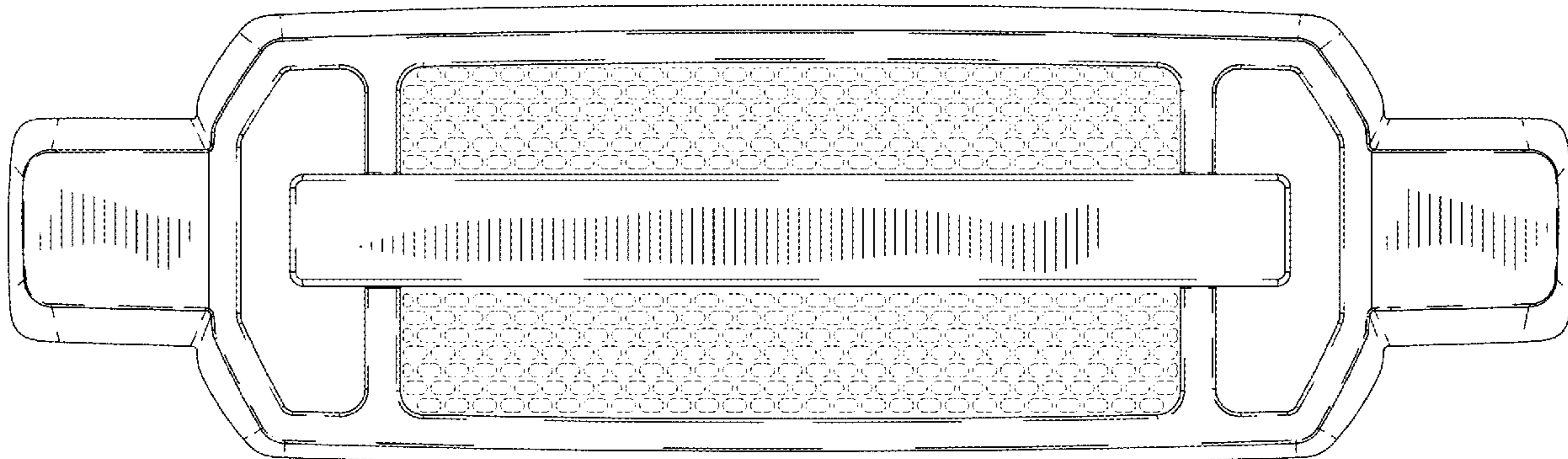
Related U.S. Application Data

- (63) Continuation of application No. 29/624,032, filed on Oct. 30, 2017, now Pat. No. Des. 864,048.
- (51) **LOC (12) Cl.** **12-16**
- (52) **U.S. Cl.**
USPC **D12/163**
- (58) **Field of Classification Search**
USPC D12/163, 164, 190, 195, 196, 414
CPC B60R 9/06; B62D 35/02; B62D 39/00;
B62D 65/16; B62D 21/12; B29C 45/16
See application file for complete search history.

(56) **References Cited**

U.S. PATENT DOCUMENTS

D769,160 S *	10/2016	Platto	D12/163
D775,002 S *	12/2016	Platto	D12/163
9,630,655 B1 *	4/2017	Lee	B62D 25/085
D811,282 S *	2/2018	Platto	D12/163
D811,283 S *	2/2018	Platto	D12/163
D819,513 S *	6/2018	Bucher	D12/163



(56)

References Cited

OTHER PUBLICATIONS

EBAY, 06-09 Dodge Ram Rivet Black Stainless Steel Wire Mesh Grille W/ Shel.. <https://www.ebay.com/itm/06-09-Dodge-Ram-Rivet-Black-Stainless-Ste. . .> , downloaded Sep. 26, 2017.

EBAY, 2009-2014 Ford F150 Raptor Style Bumper Hood Grille Carbon Fiber Look w/Shell <https://www.ebay.com/itm/2009-2014-Ford-F150-Raptor-Style-Bumper . . .> , downloaded Sep. 26, 2017.

EBAY,EAG Matte Black ABS Vicious Style Front Hood LED Mesh Grille for 15-17 Ford F-150, <https://www.ebay.com/p/EAG-Matte-Black-ABS-Vicious-Style-Front-H>, downloaded Sep. 26, 2017.

* cited by examiner

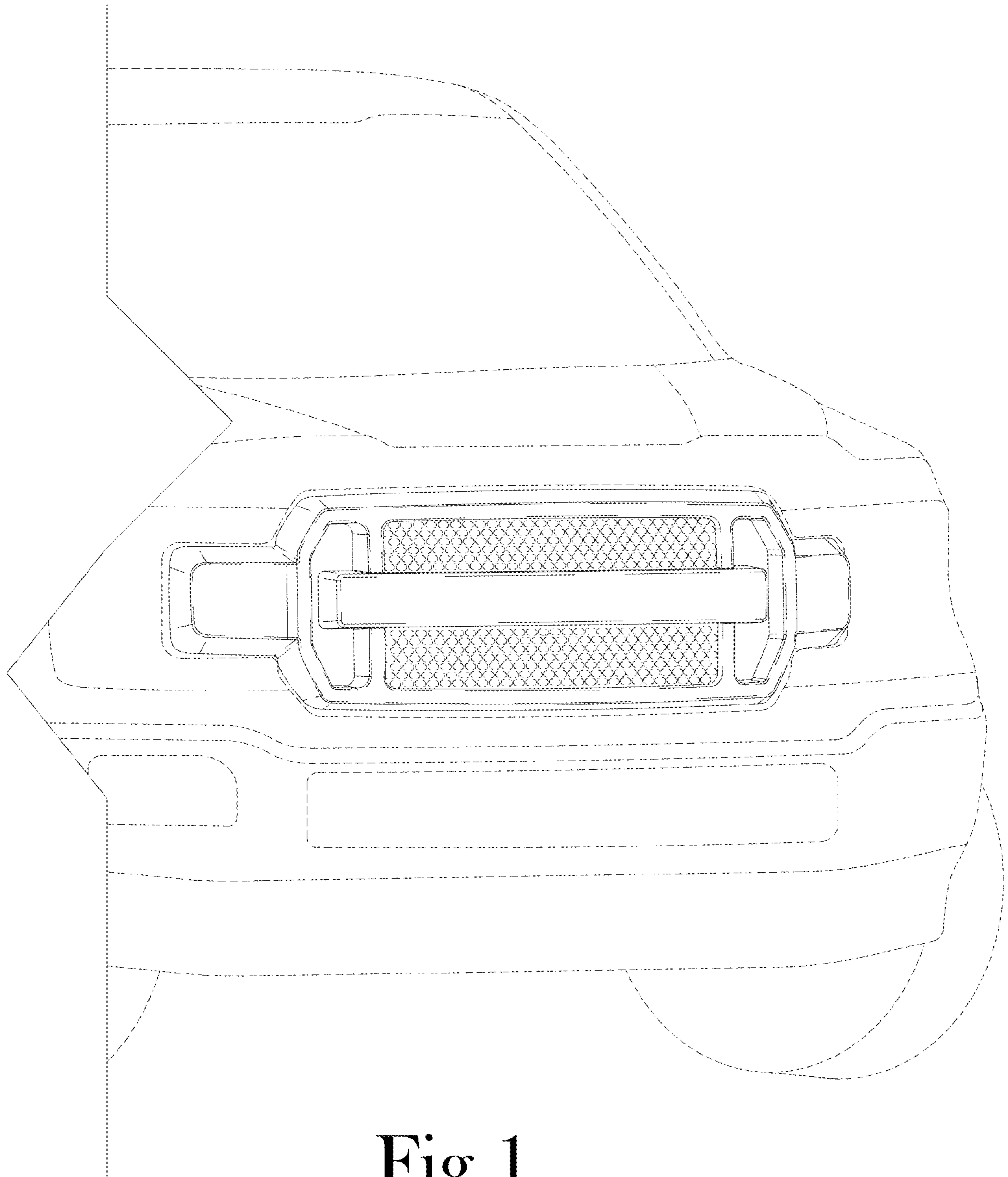


Fig. 1

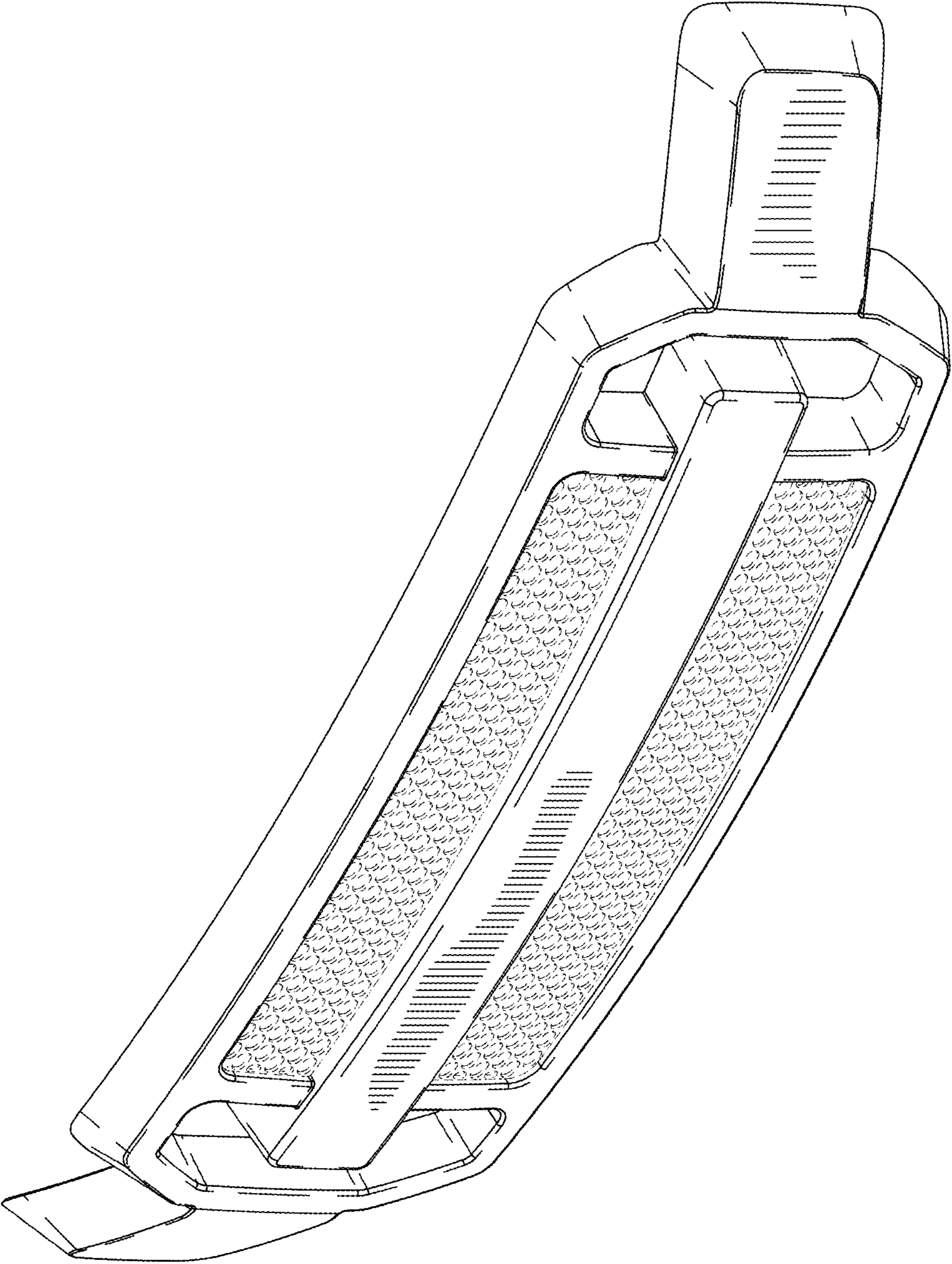


Fig. 2

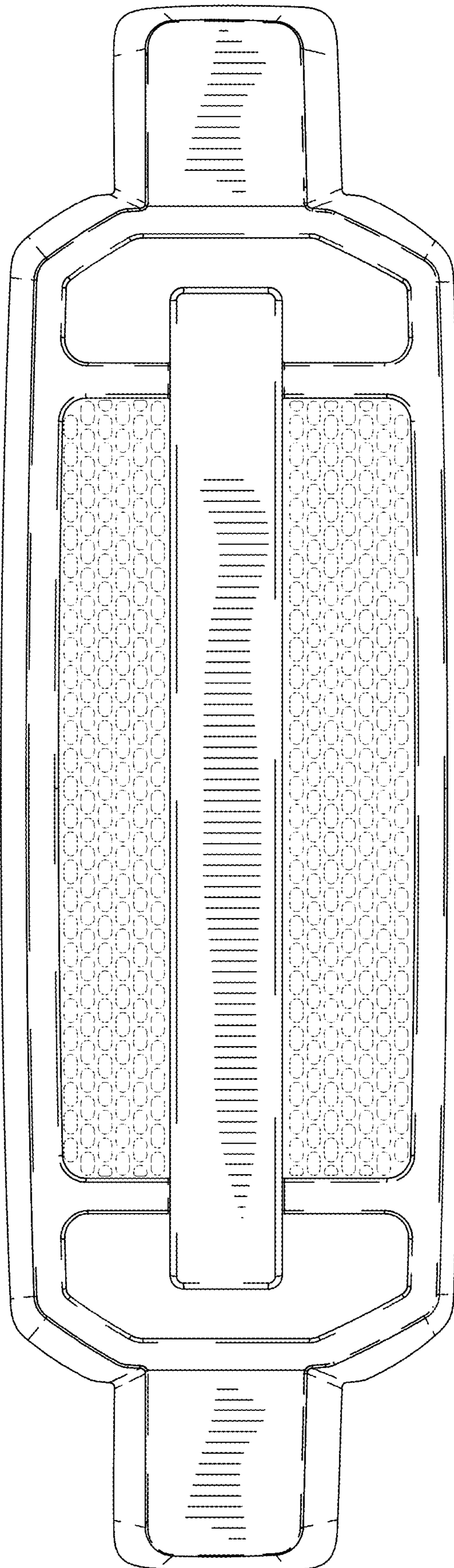


Fig. 3

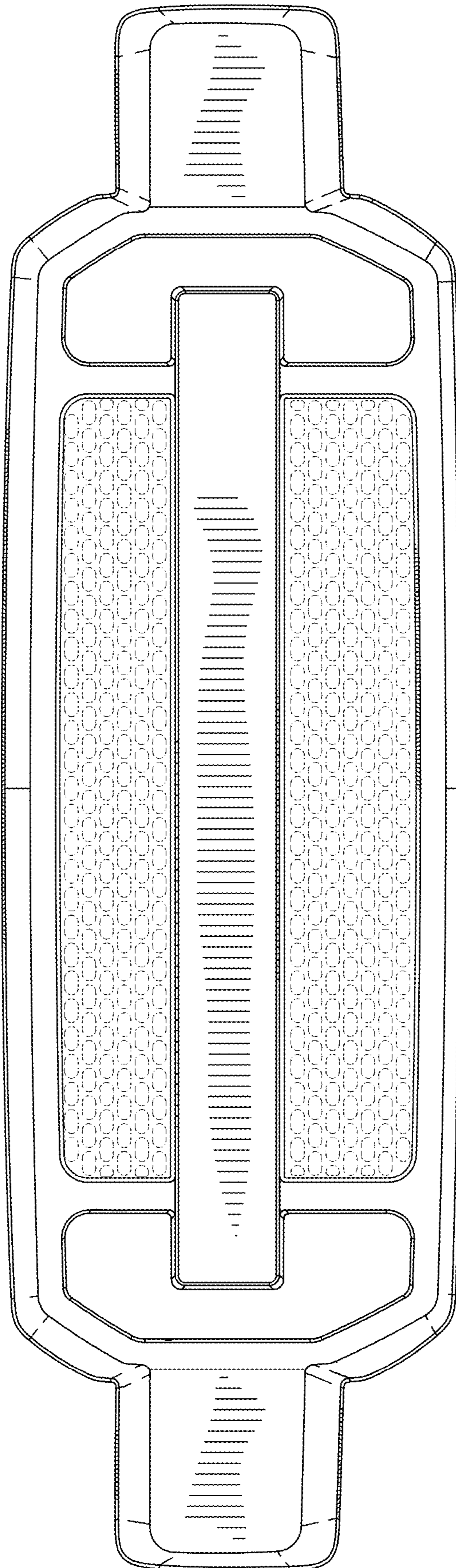


Fig. 4

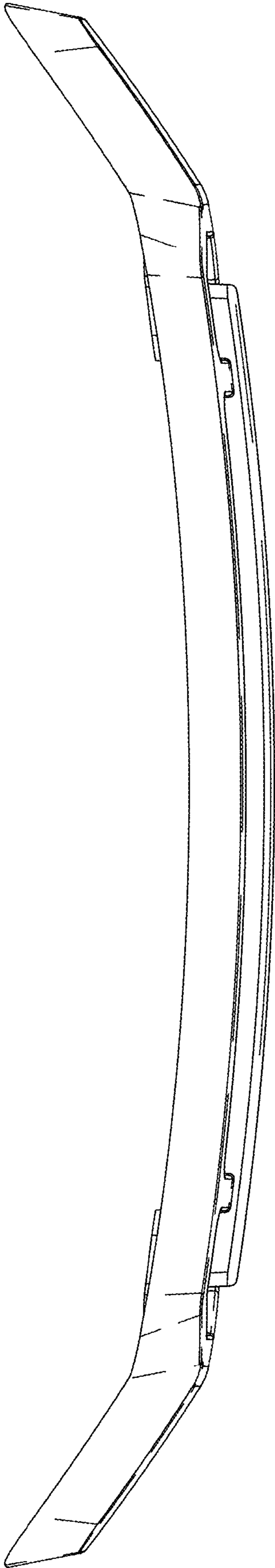


Fig. 5

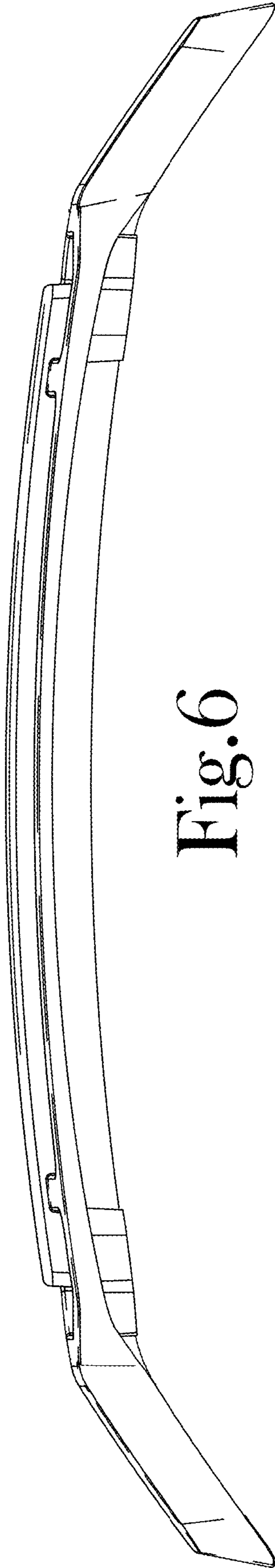


Fig. 6

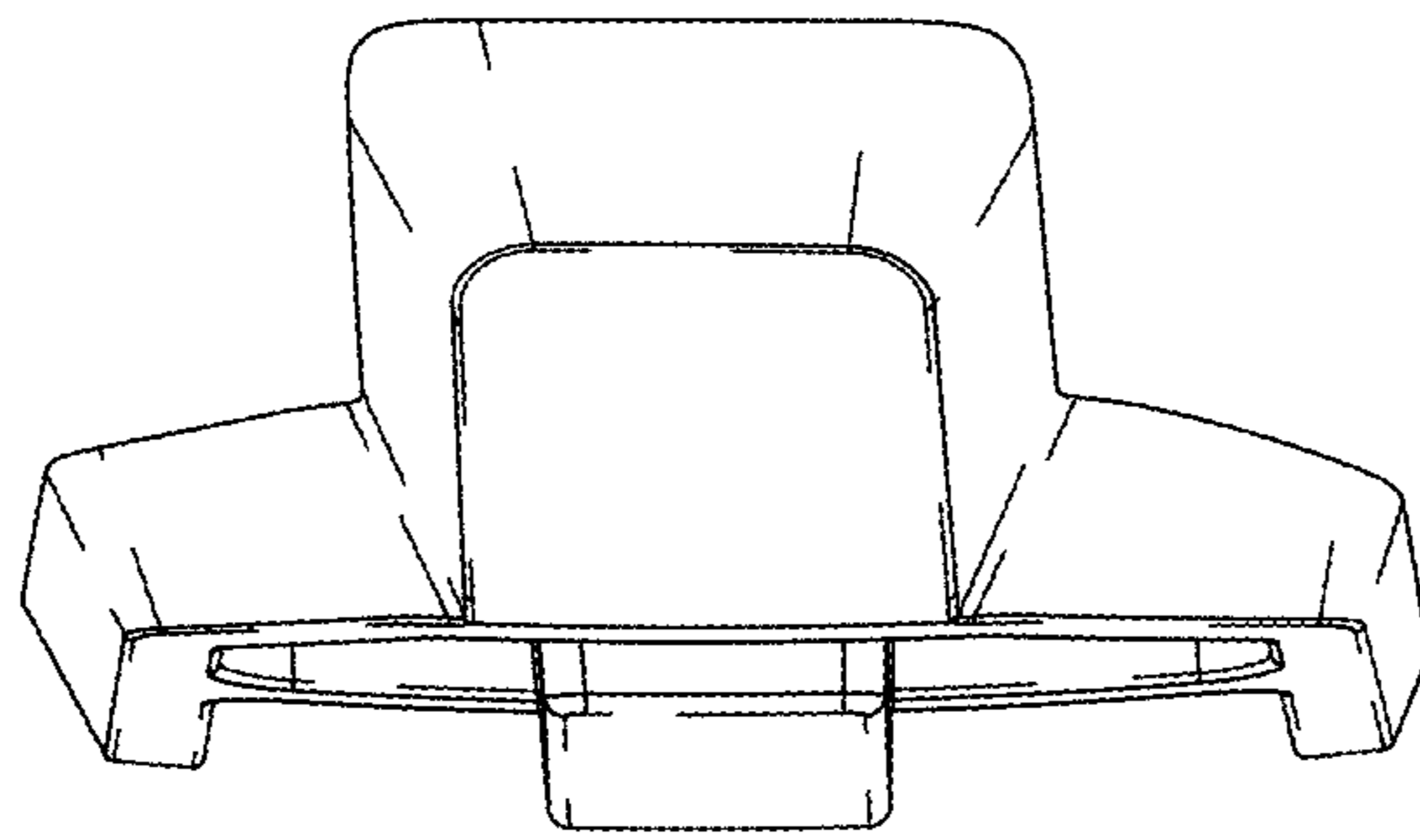


Fig. 7