



US00D888619S

(12) **United States Design Patent**
Dickman et al.

(10) **Patent No.:** **US D888,619 S**

(45) **Date of Patent:** **** Jun. 30, 2020**

(54) **RADIATOR GRILLE FOR A VEHICLE**

(71) Applicant: **Daimler AG**, Stuttgart (DE)

(72) Inventors: **Ryan Dickman**, Fairview, OR (US);
Michael Dawson, Boring, OR (US)

(73) Assignee: **Daimler AG**, Stuttgart (DE)

(**) Term: **15 Years**

(21) Appl. No.: **29/572,851**

(22) Filed: **Aug. 1, 2016**

(51) **LOC (12) Cl.** **12-16**

(52) **U.S. Cl.**
USPC **D12/163**

(58) **Field of Classification Search**
USPC D12/86, 91, 93, 163, 164, 166, 167, 169,
D12/171, 172, 173, 190, 216
CPC B62D 25/08; B62B 9/16; B60K 11/08;
B60R 19/52
See application file for complete search history.

(56) **References Cited**

U.S. PATENT DOCUMENTS

- 4,130,312 A * 12/1978 Cooper, Sr. B60R 19/04
293/153
- 4,671,550 A * 6/1987 Molnar B60R 19/18
293/102
- 5,308,134 A * 5/1994 Stanesic B60J 1/2005
296/180.1
- D364,371 S * 11/1995 Ray D12/169
- D381,946 S * 8/1997 Delashaw D12/167
- D391,212 S * 2/1998 Meryman D12/169
- D419,506 S * 1/2000 Texier D12/169
- 6,230,832 B1 * 5/2001 von Mayenburg B60K 11/08
180/68.1
- 6,250,664 B1 * 6/2001 Tetrick B60D 1/249
280/491.5
- 6,551,540 B1 * 4/2003 Porter B29C 45/1635
264/255

- D530,653 S * 10/2006 Angelo D12/169
- D545,248 S * 6/2007 Angelo D12/169
- D563,840 S * 3/2008 Simons D12/169
- D565,484 S * 4/2008 Johnson D12/169
- D633,419 S * 3/2011 Peltola D12/169
- D653,999 S * 2/2012 Peltola D12/169
- D711,786 S 8/2014 Brzustowicz et al.
- D711,787 S 8/2014 Brzustowicz
- D711,788 S 8/2014 Brzustowicz

(Continued)

OTHER PUBLICATIONS

“2002 Jeep Wrangler.” GT Motors. http://www.gtmotorspa.com/detail-2002-jeep-wrangler-2dr_sport-used-18182168.html.*

(Continued)

Primary Examiner — Susan Bennett Hattan
Assistant Examiner — Suzanne E Tisdell

(74) *Attorney, Agent, or Firm* — Crowell & Moring LLP

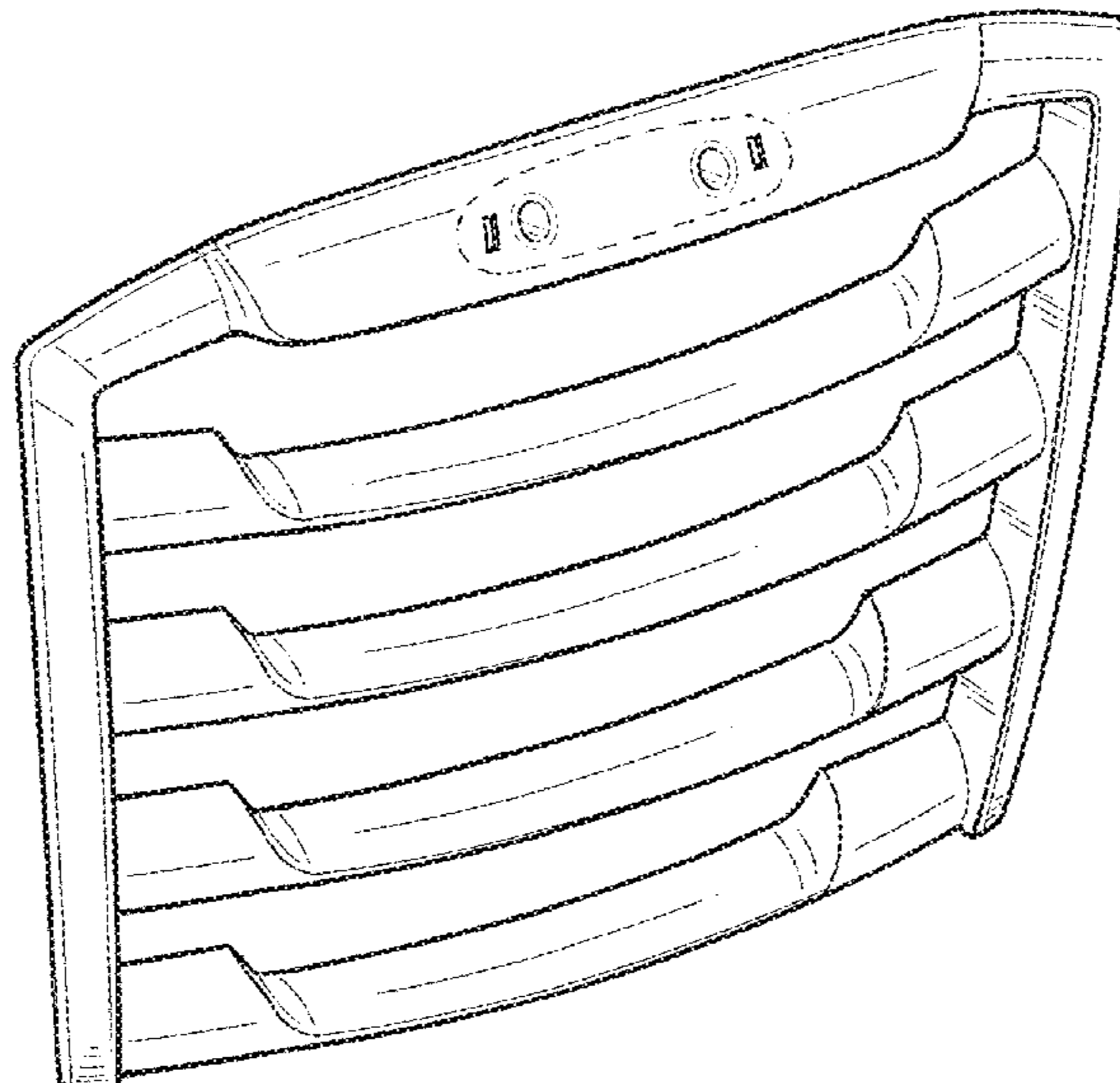
(57) **CLAIM**

The ornamental design for a radiator grille for a vehicle, as shown and described.

DESCRIPTION

This application contains subject matter related to the following co-pending U.S. design patent application: Application Ser. No. 29/572,848, filed herewith and entitled “Truck Cab, Toy, and/or Replicas Thereof”. FIG. 1 is a left, front perspective view of a radiator grille for a vehicle according to the design, the right, front perspective view being a mirror image thereof; FIG. 2 is a front view thereof; FIG. 3 is a top view thereof; FIG. 4 is a left side view thereof; FIG. 5 is a right side view thereof; and, FIG. 6 is a rear view thereof. The broken lines represent unclaimed subject matter and form no part of the claimed design.

1 Claim, 5 Drawing Sheets



(56)

References Cited

U.S. PATENT DOCUMENTS

D775,013 S * 12/2016 Bennett D12/169
 2004/0160788 A1 * 8/2004 Wagner B60Q 1/32
 362/565
 2010/0181786 A1 * 7/2010 Tejler B60D 1/02
 293/130
 2013/0069385 A1 * 3/2013 Cunagin B62D 21/12
 296/1.07
 2015/0082599 A1 * 3/2015 Cunagin B62D 49/04
 29/428
 2015/0084369 A1 * 3/2015 Niemi B62D 35/02
 296/180.1
 2016/0114748 A1 * 4/2016 Hare B60R 19/023
 293/106
 2016/0200272 A1 * 7/2016 Frederick B60R 19/18
 293/120

2016/0280164 A1 * 9/2016 Hammer B60R 19/18
 2016/0297388 A1 * 10/2016 Hammer B60R 19/34
 2017/0080885 A1 * 3/2017 Swamidass B60R 19/445
 2017/0182948 A1 * 6/2017 Cunagin B60R 9/06
 2017/0203708 A1 * 7/2017 Jaradi B60R 19/18
 2017/0233010 A1 * 8/2017 Sytsma B60K 11/08
 296/187.09

OTHER PUBLICATIONS

Jan. 20, 2015. "Combat-Proven Patterns." Image Craft. <https://imcraft.wordpress.com/tag/camo-wrap/>.
 Aug. 6, 2014. "Hiding Cars: The Dark Art of Prototype Camouflage." Automotive Training Centres, <https://www.autotrainingcentre.com/blog/hiding-cars-dark-art-prototype-camouflage/>.
 Evans, Brett T., "Spied: New Freightliner Cascadia Gets SuperTruck-Like Improvements," Diesel Power Magazine, Mar. 30, 2015.

* cited by examiner

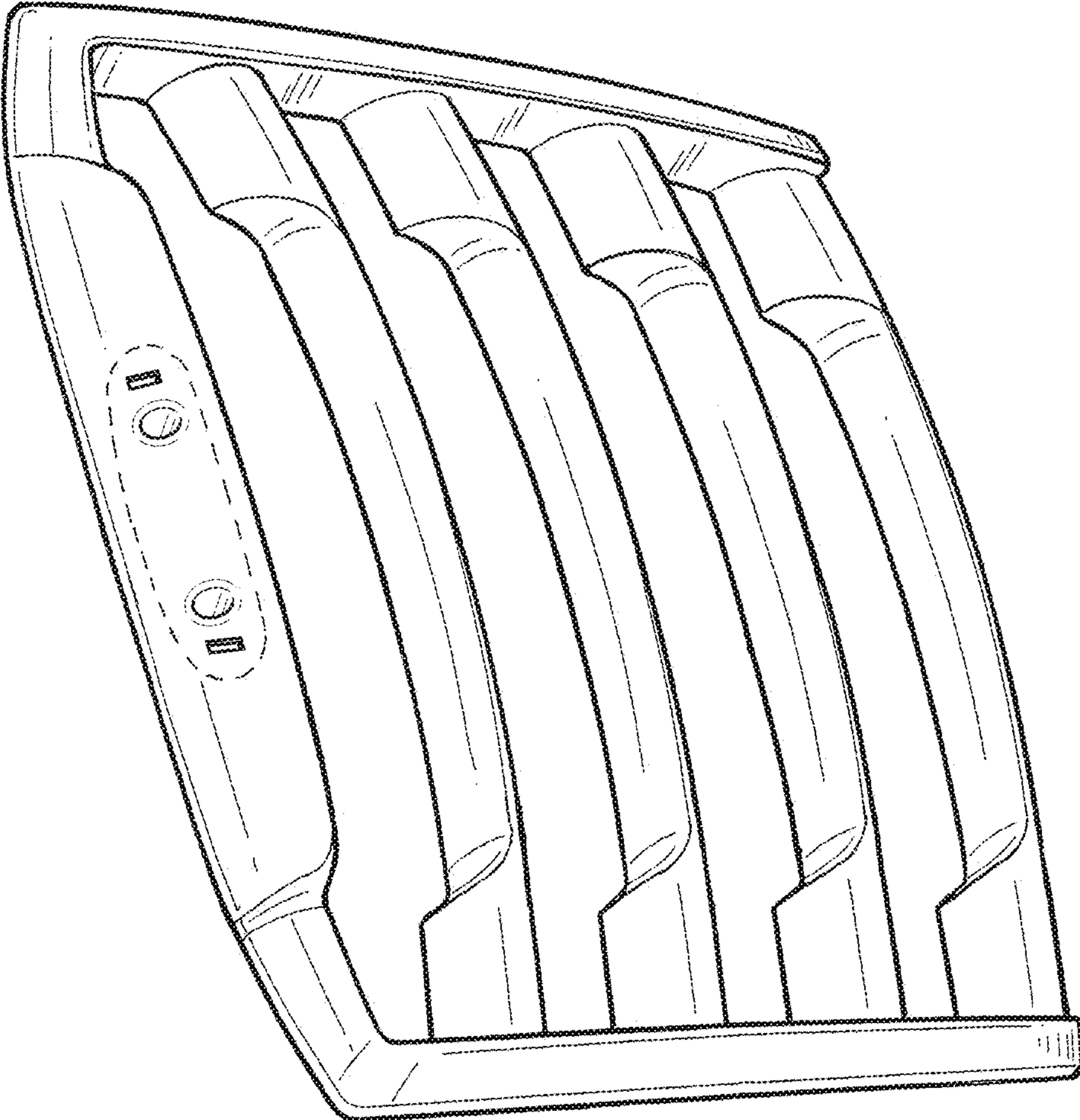


FIG. 1

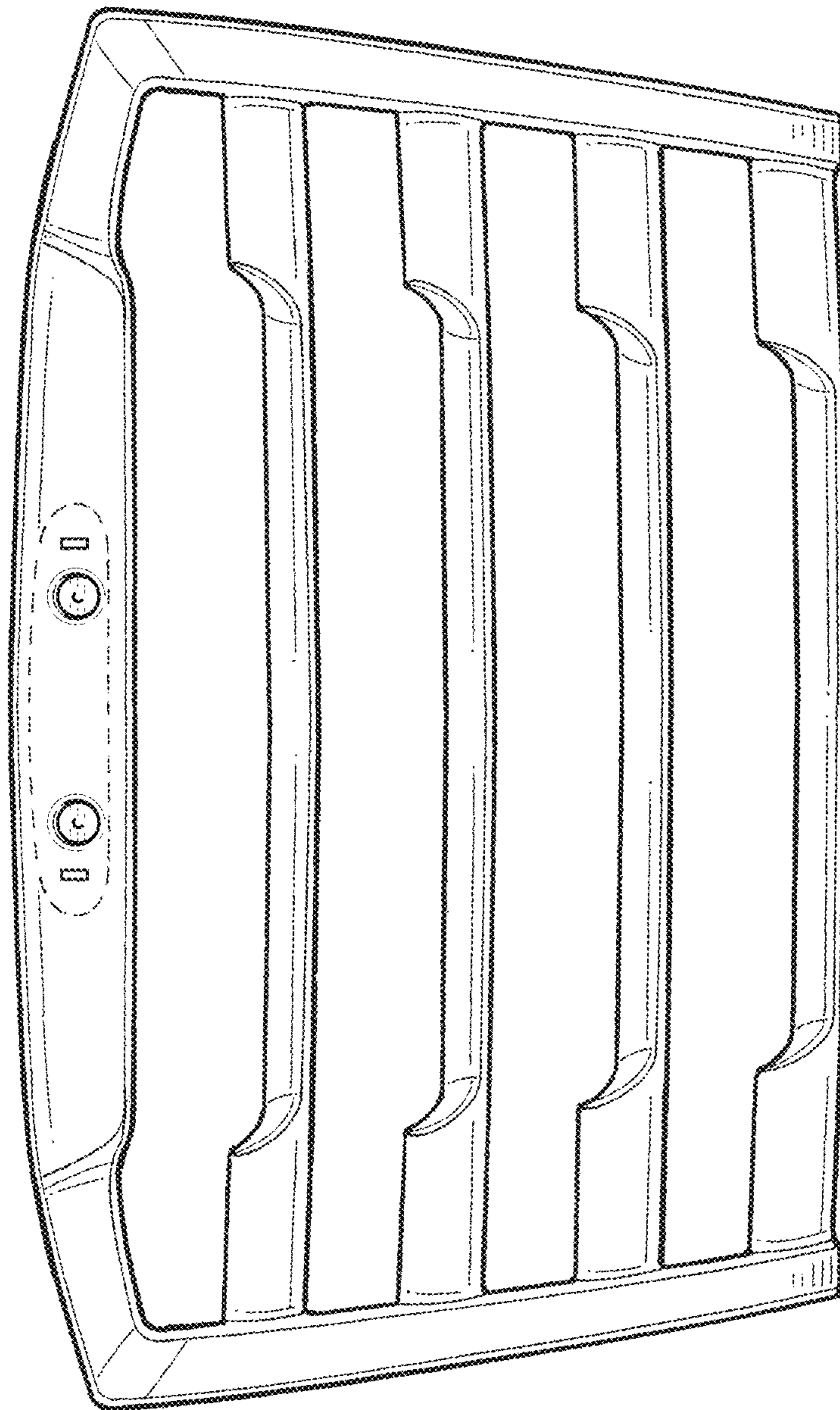


FIG. 2

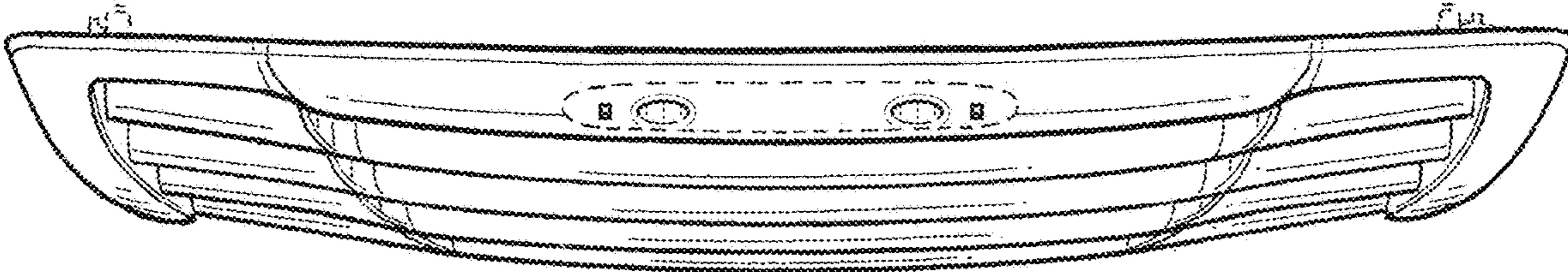


FIG. 3

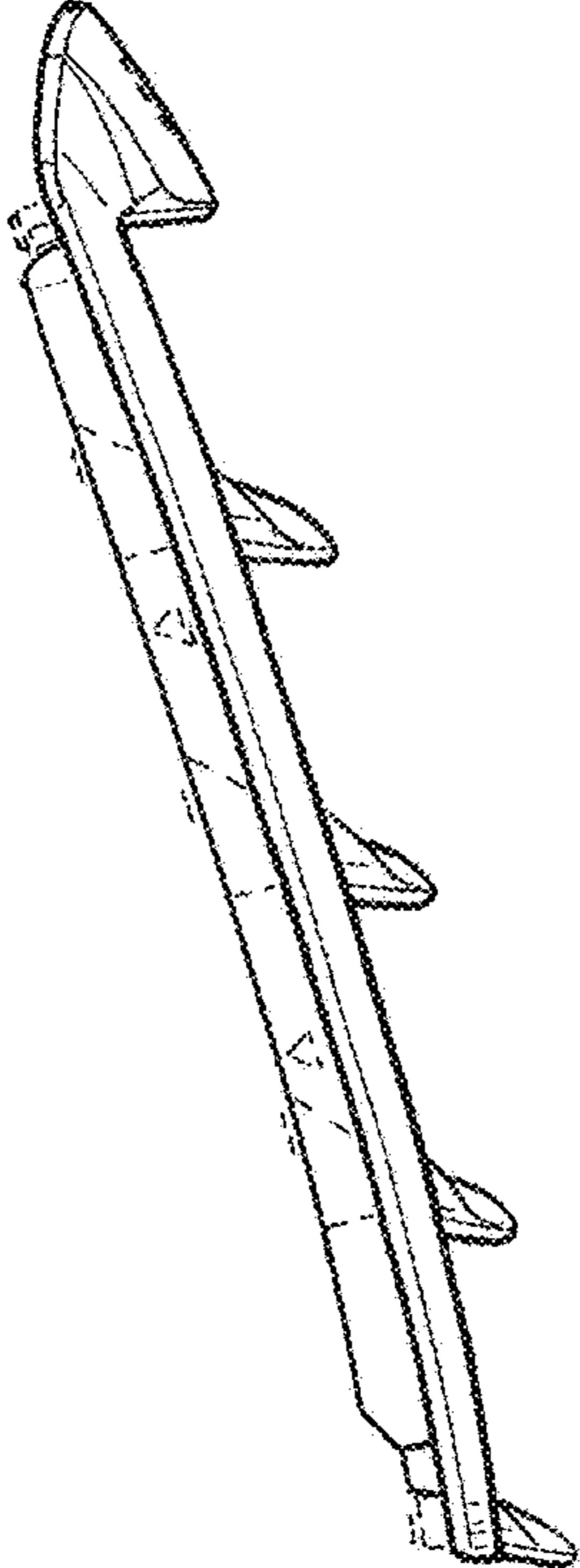


FIG. 4

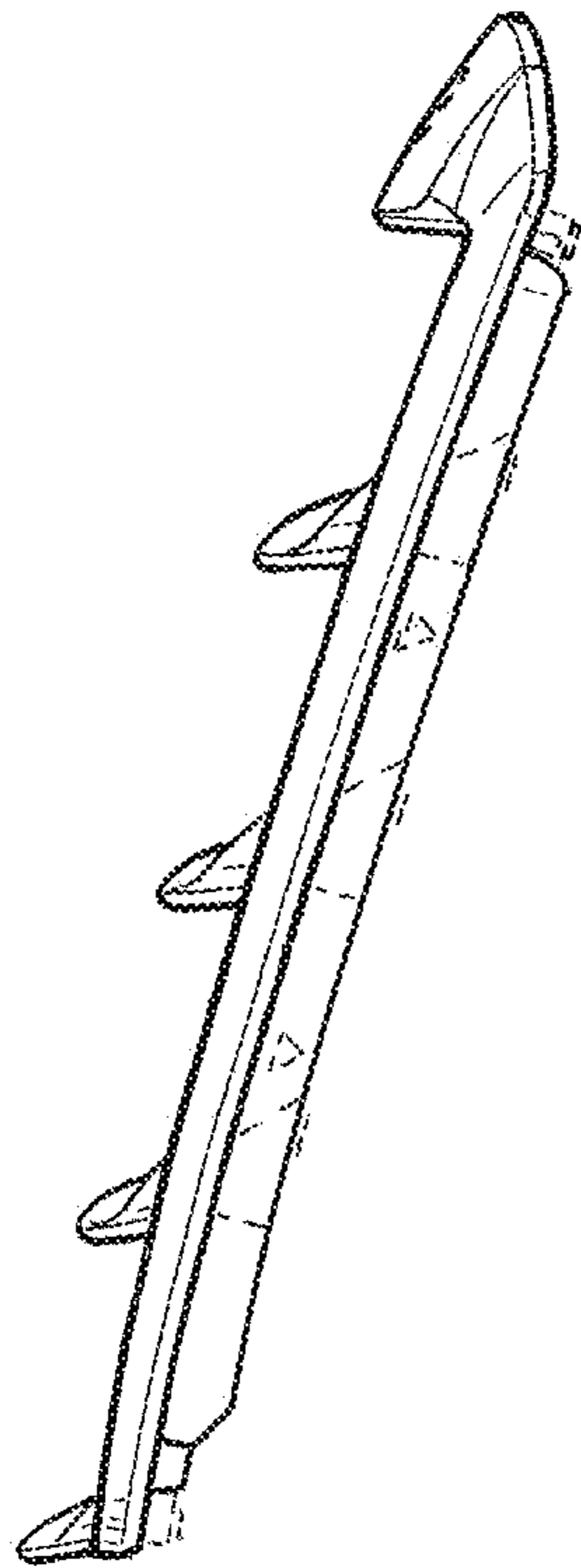


FIG. 5

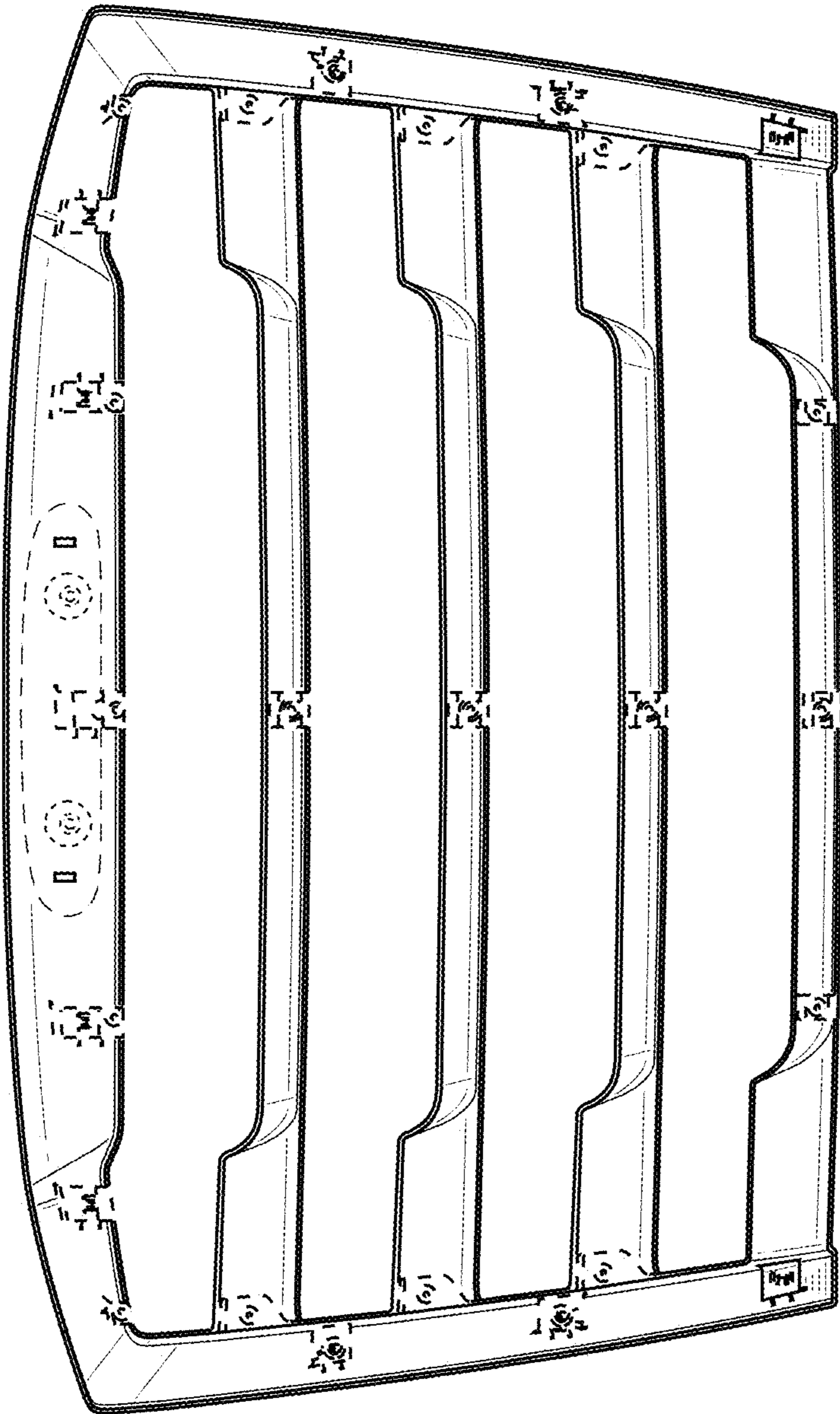


FIG. 6