



US00D888617S

(12) **United States Design Patent**
Roysum

(10) **Patent No.:** **US D888,617 S**

(45) **Date of Patent:** **** Jun. 30, 2020**

(54) **TRIPOD LEG HITCH SUPPORT**

(71) Applicant: **Ronald Eric Roysum**, Hopland, CA
(US)

(72) Inventor: **Ronald Eric Roysum**, Hopland, CA
(US)

(**) Term: **15 Years**

(21) Appl. No.: **29/678,605**

(22) Filed: **Jan. 30, 2019**

(51) **LOC (12) Cl.** **12-16**

(52) **U.S. Cl.**
USPC **D12/162**

(58) **Field of Classification Search**
USPC D12/159-162
CPC . B60D 1/60; B60D 1/065; B60D 1/00; B60D
1/06; B60D 1/36
See application file for complete search history.

(56) **References Cited**

U.S. PATENT DOCUMENTS

| | | | | | |
|------------|---|---------|------------|-------|------------|
| D414,732 S | * | 10/1999 | Redmond | | D12/162 |
| D855,500 S | * | 8/2019 | Metternich | | D12/162 |
| D862,306 S | * | 10/2019 | Porath | | B60D 1/605 |
| | | | | | D12/162 |
| D862,308 S | * | 10/2019 | Siegel | | D12/162 |
| D870,605 S | * | 12/2019 | Huebner | | D12/162 |
| D873,723 S | * | 1/2020 | Borkholder | | D12/162 |

| | | | | | |
|------------|---|--------|------------|-------|---------|
| D875,620 S | * | 2/2020 | Watson | | D12/162 |
| D876,290 S | * | 2/2020 | Kirkland | | D12/162 |
| D879,670 S | * | 3/2020 | Borkholder | | D12/162 |
| D880,376 S | * | 4/2020 | Goodner | | D12/162 |
| D881,078 S | * | 4/2020 | Rebick | | D12/162 |

* cited by examiner

Primary Examiner — Katrina A Betton

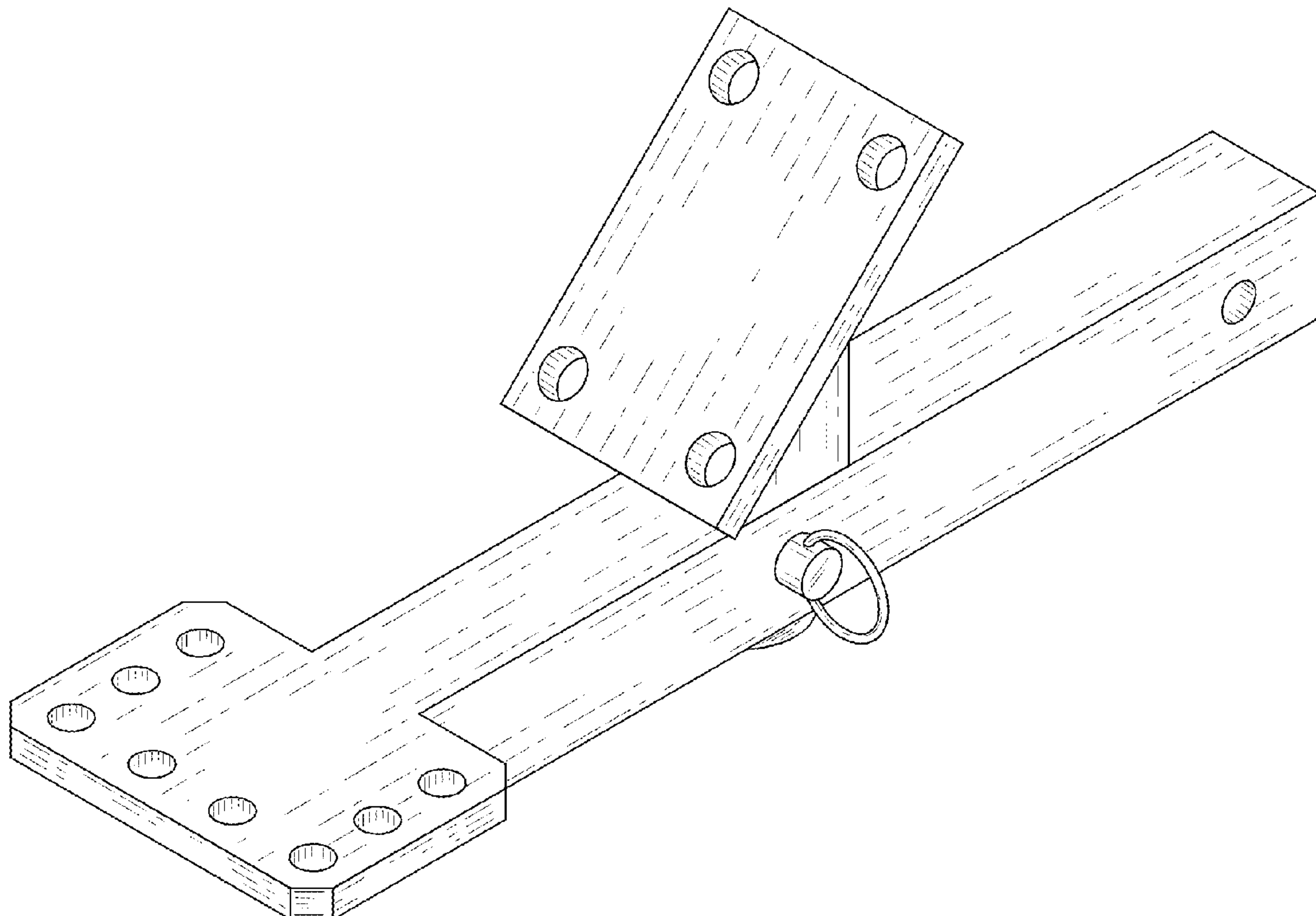
(57) **CLAIM**

The ornamental design for a tripod leg hitch support, as shown and described.

DESCRIPTION

FIG. 1 is a top front perspective view of a tripod leg hitch support showing my new design;
 FIG. 2 is a bottom front perspective view thereof;
 FIG. 3 is a top rear perspective view thereof;
 FIG. 4 is a bottom rear perspective view thereof;
 FIG. 5 is a front view thereof;
 FIG. 6 is a rear view thereof;
 FIG. 7 is a right view thereof;
 FIG. 8 is a left view thereof;
 FIG. 9 is a top view thereof;
 FIG. 10 is bottom view thereof;
 FIG. 11 is a top front perspective view thereof in one alternative position;
 FIG. 12 is a top front perspective view thereof in another alternative position; and,
 FIG. 13 is a top front perspective view thereof in a yet another alternative position.

1 Claim, 13 Drawing Sheets



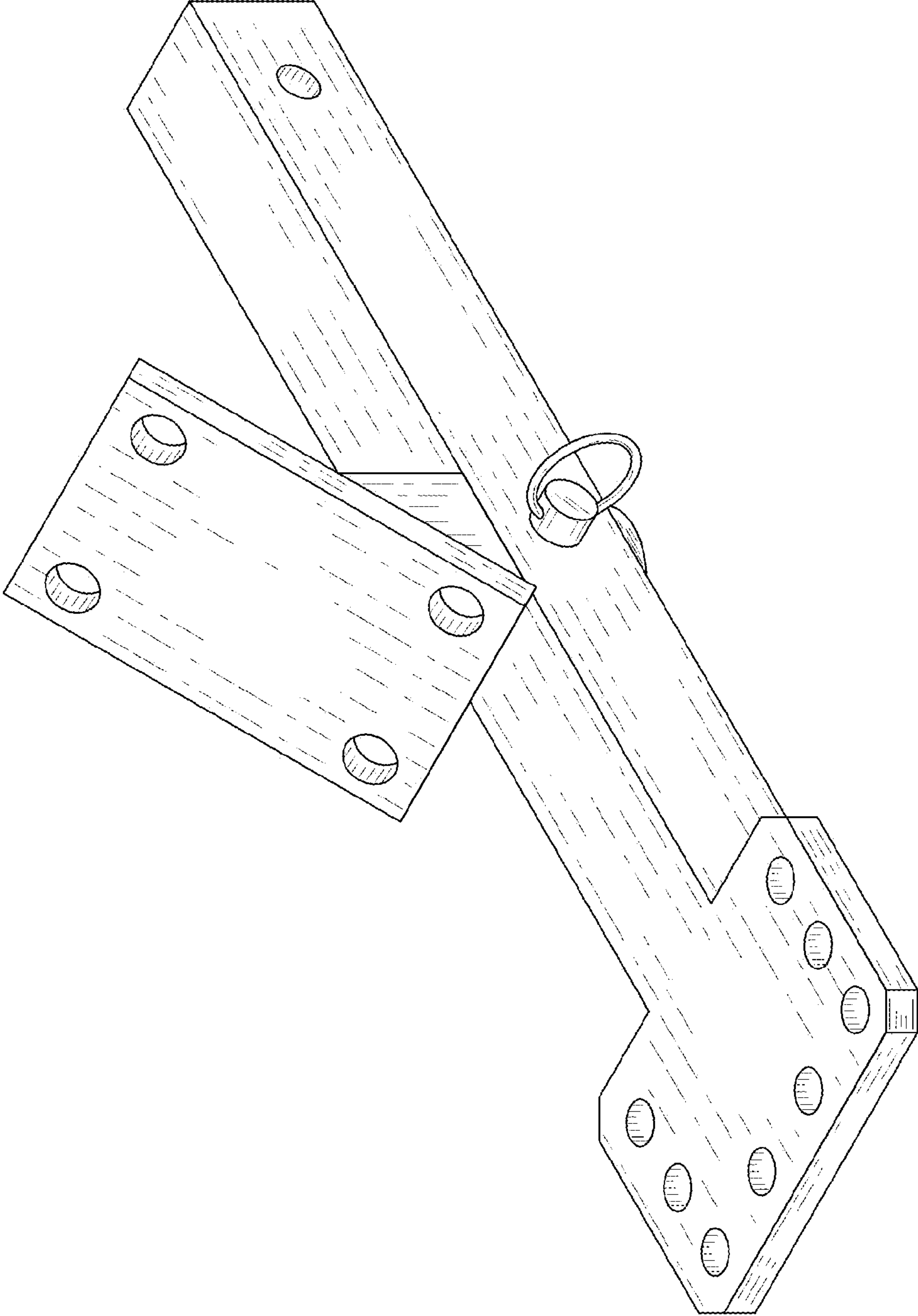


FIG 1

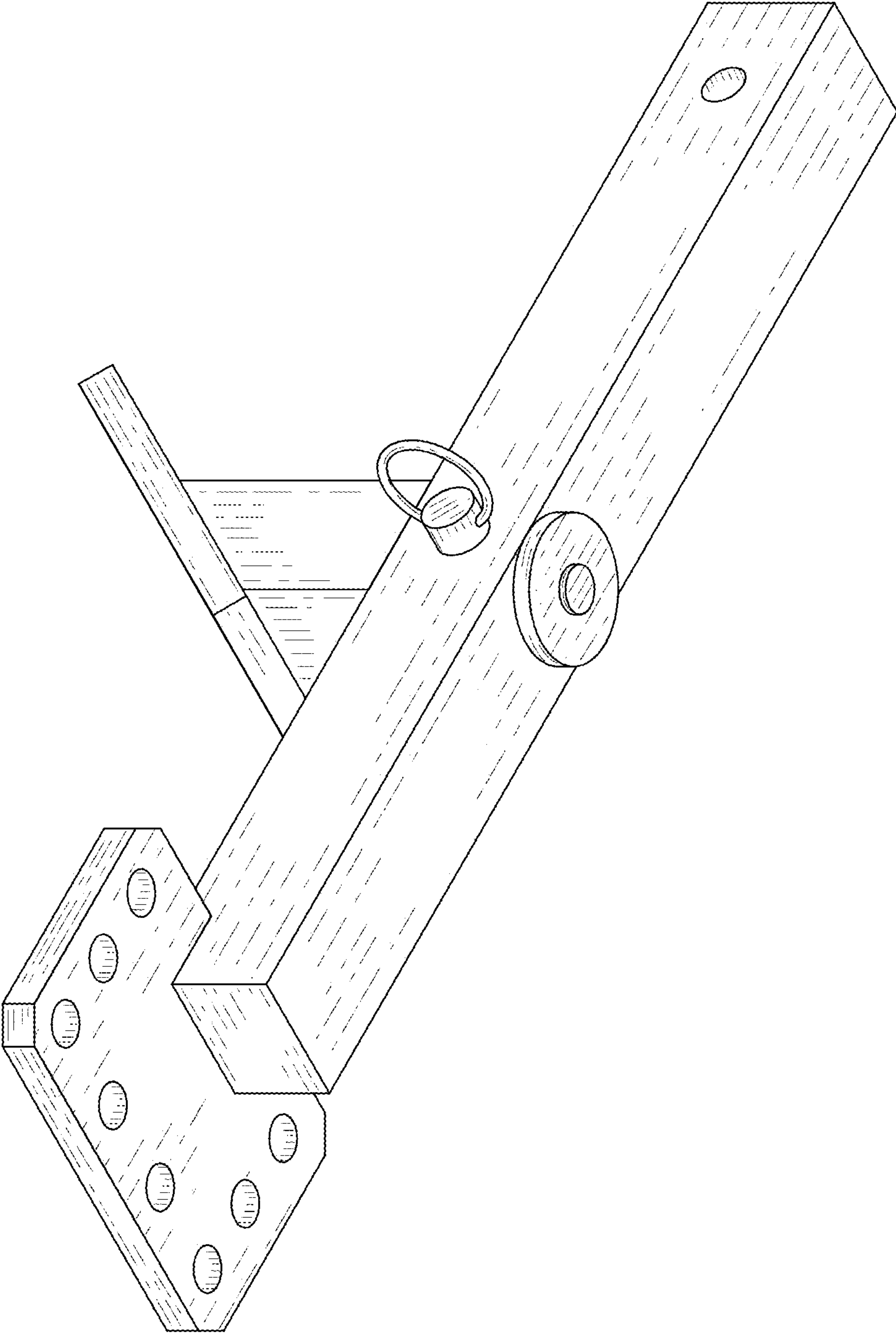


FIG 2

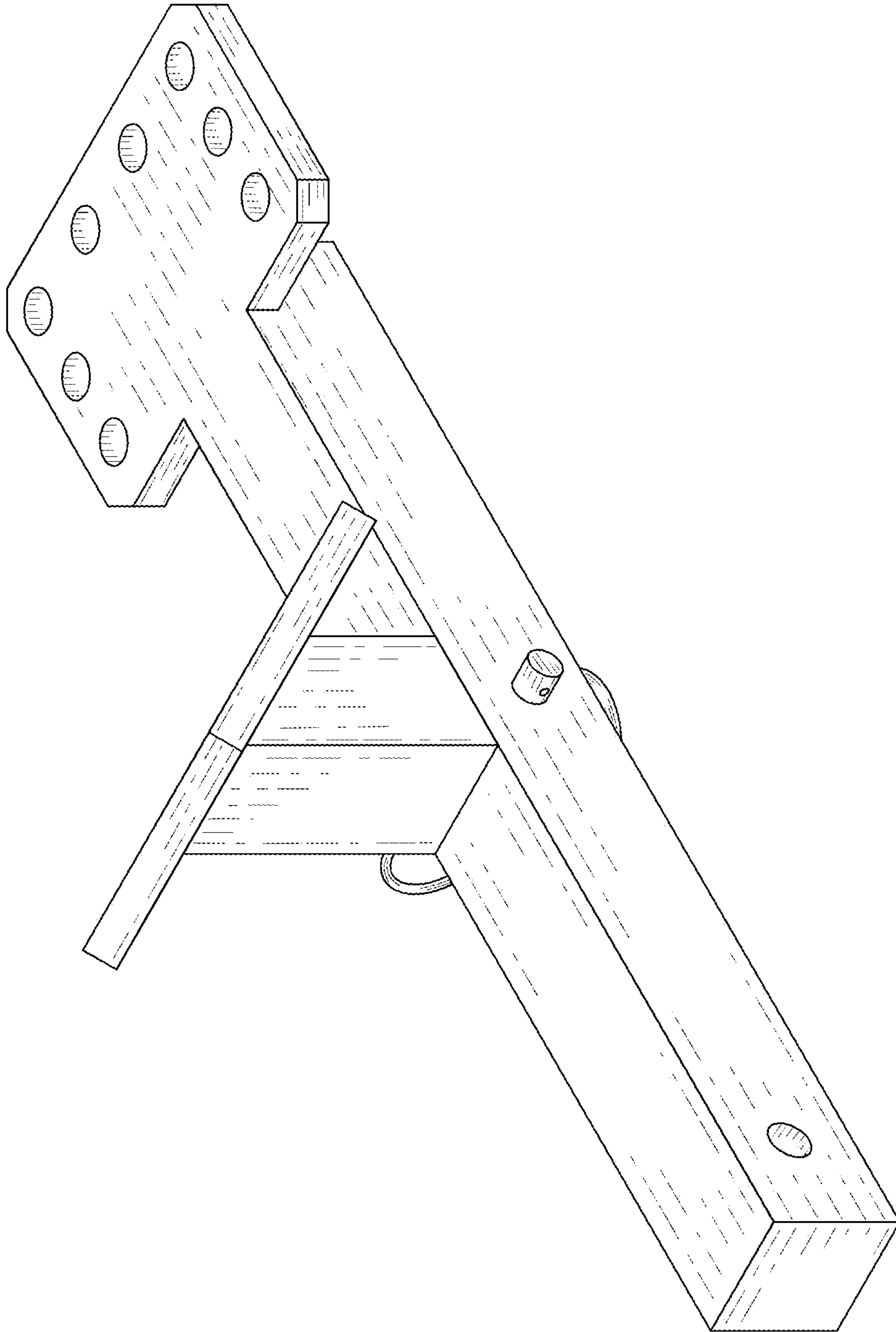


FIG 3

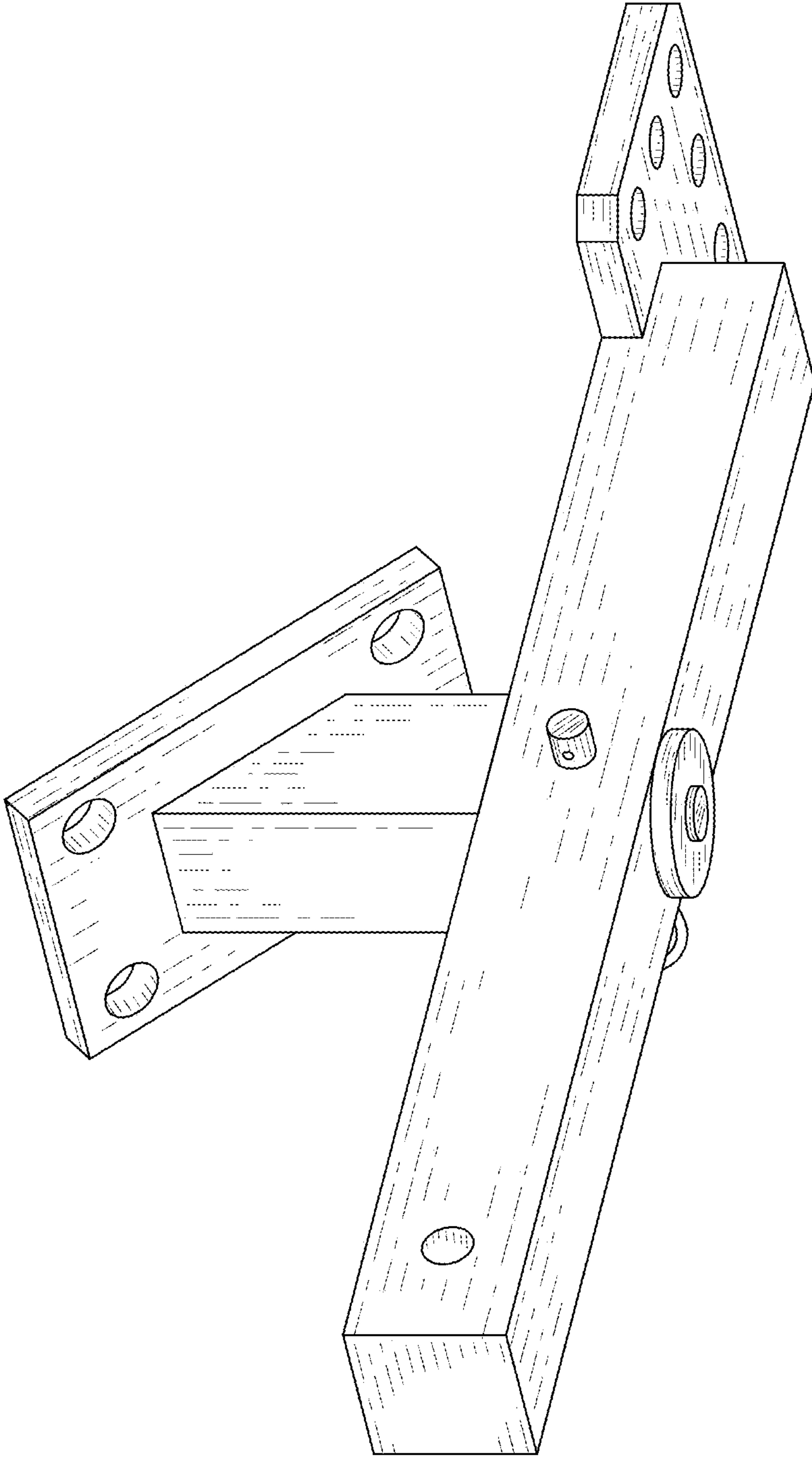


FIG 4

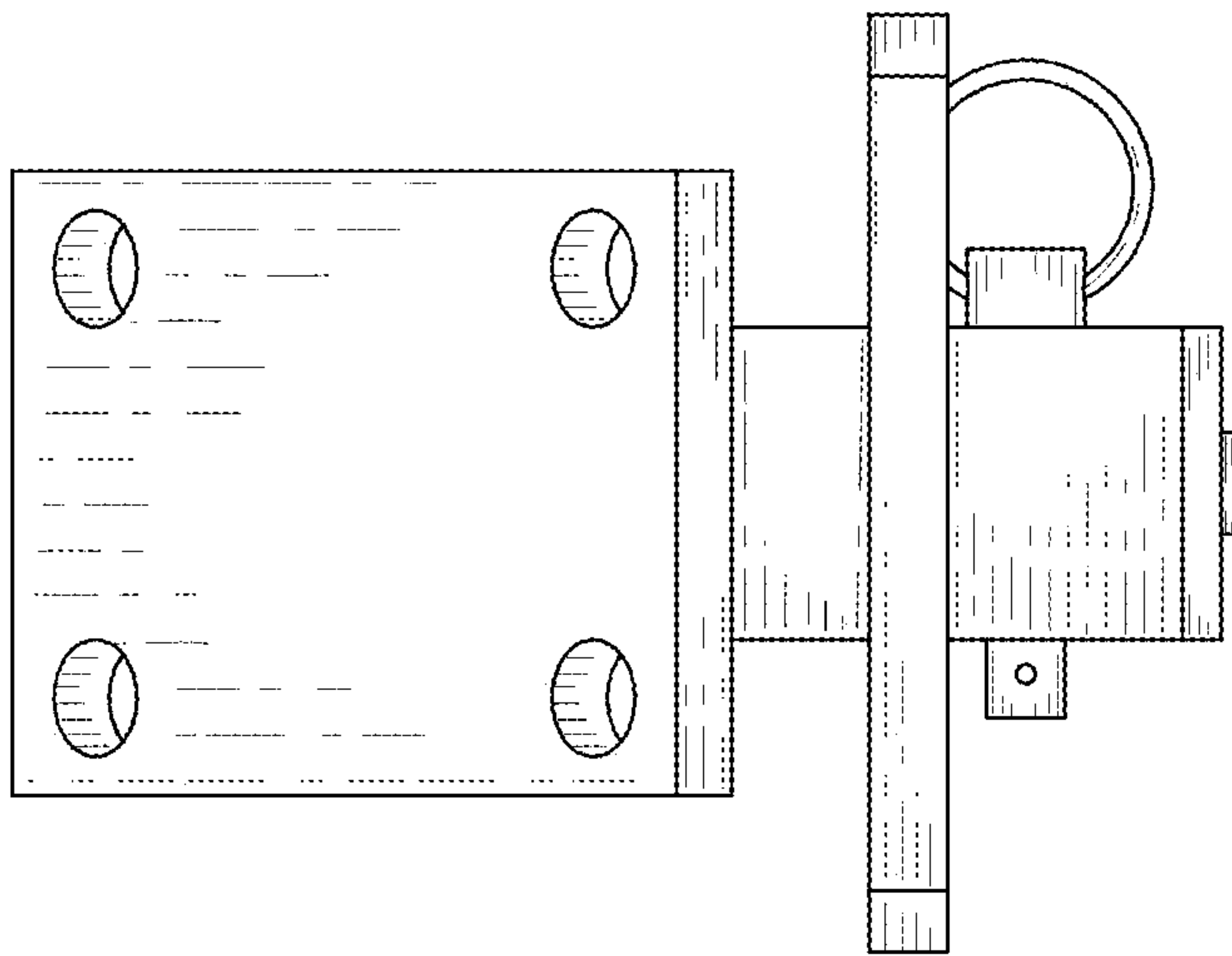


FIG 5

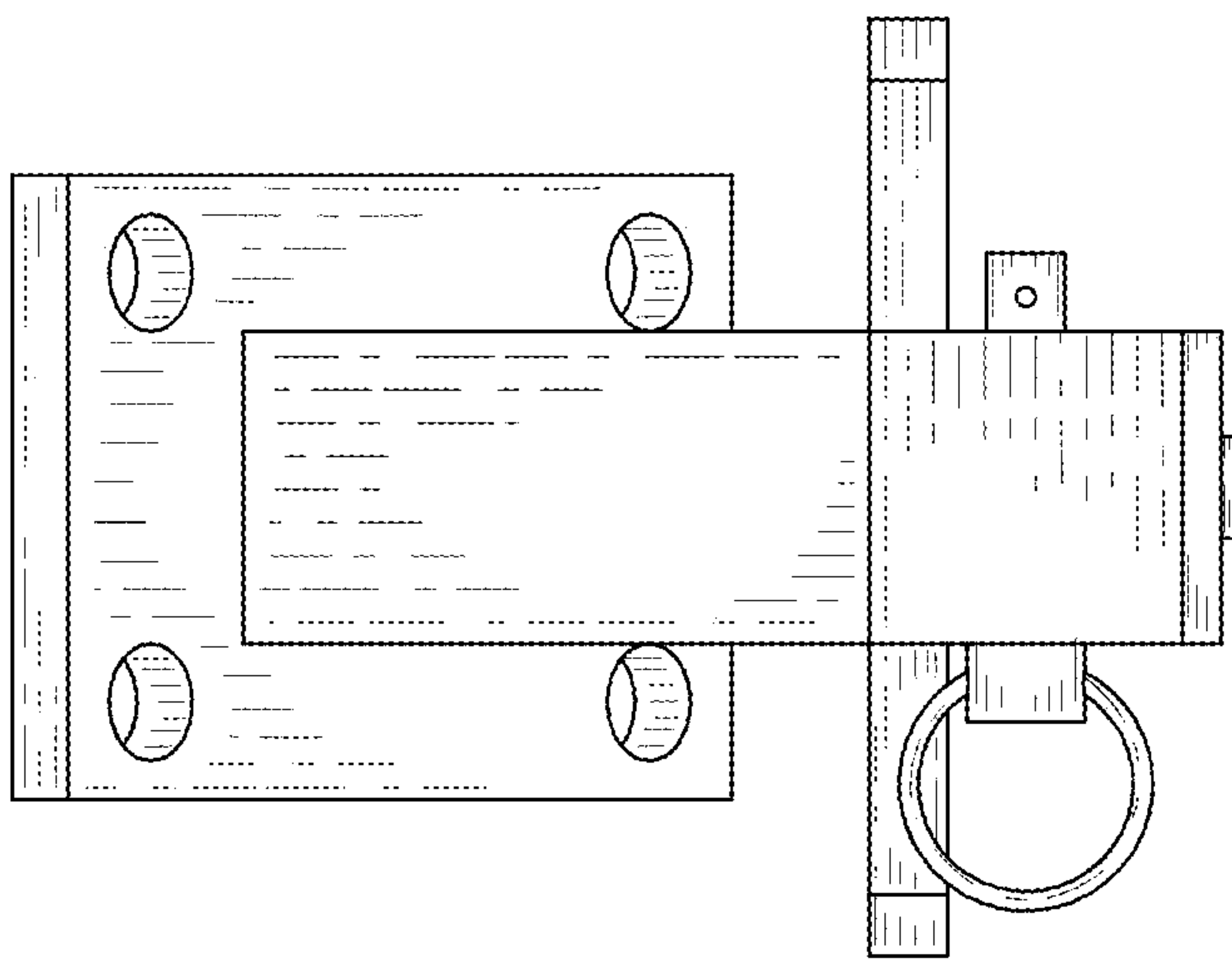


FIG 6

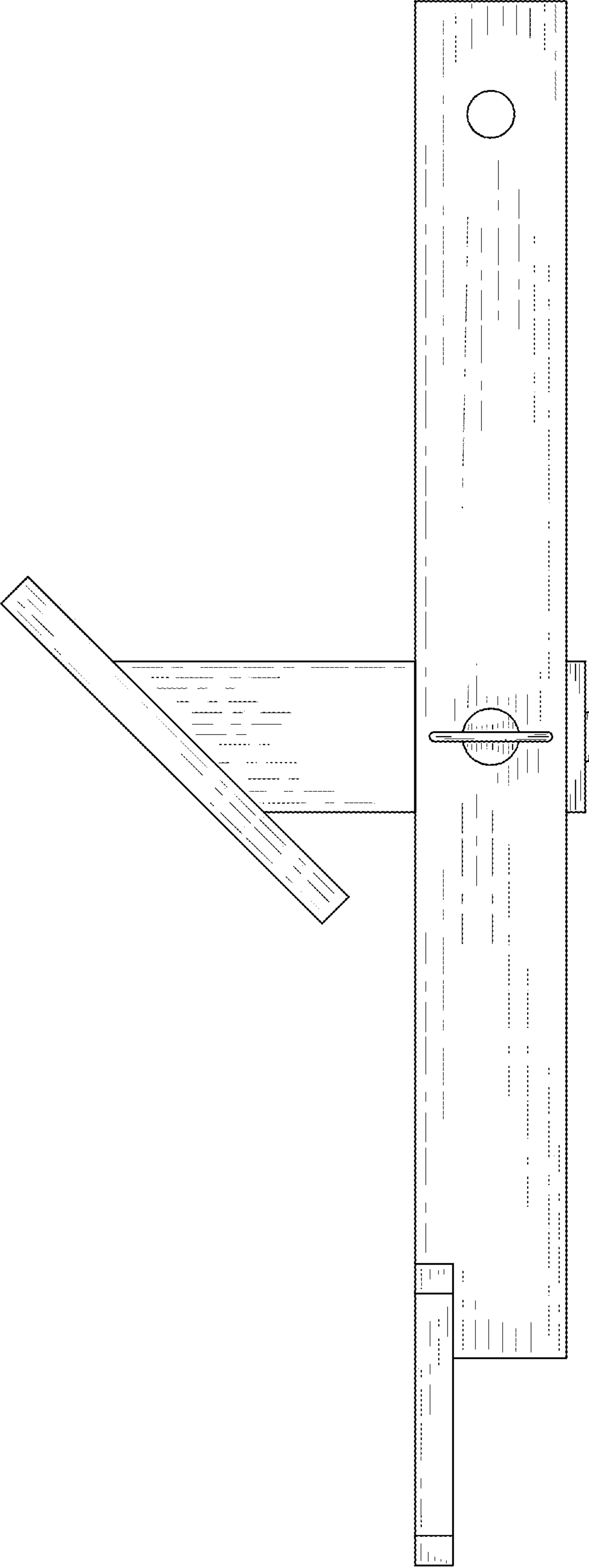


FIG 7

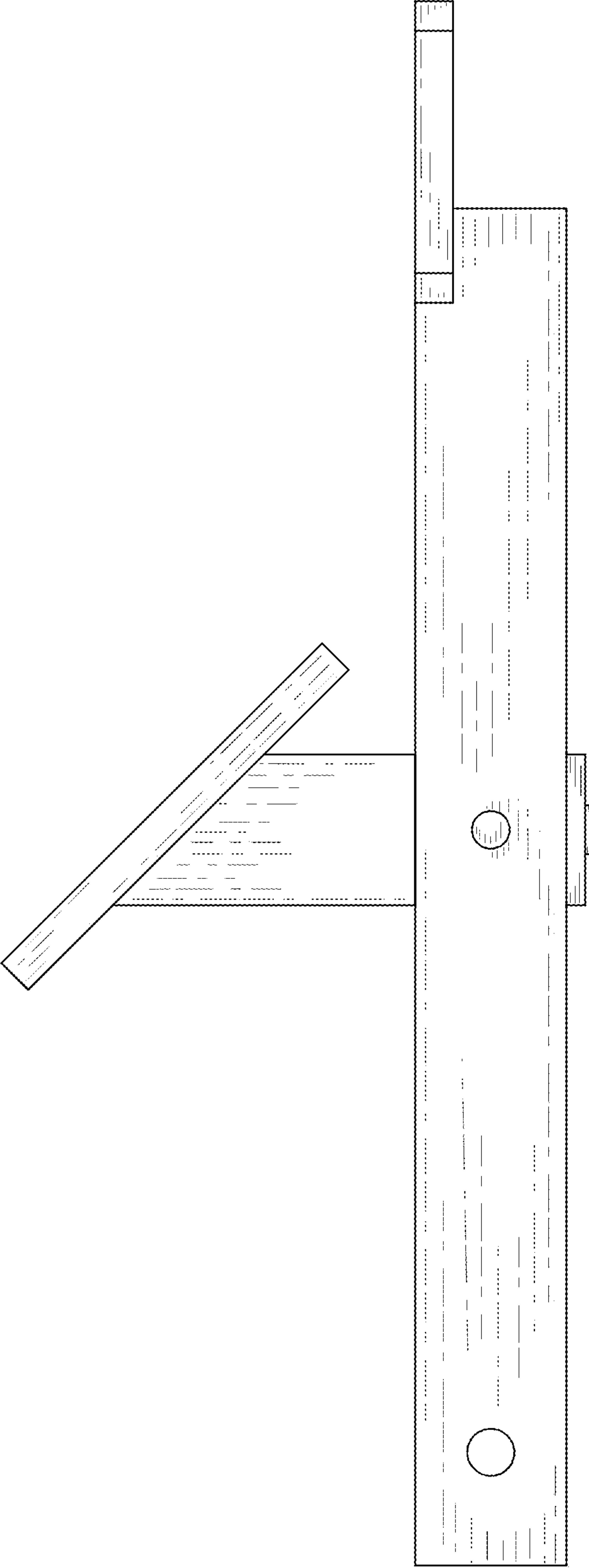


FIG 8

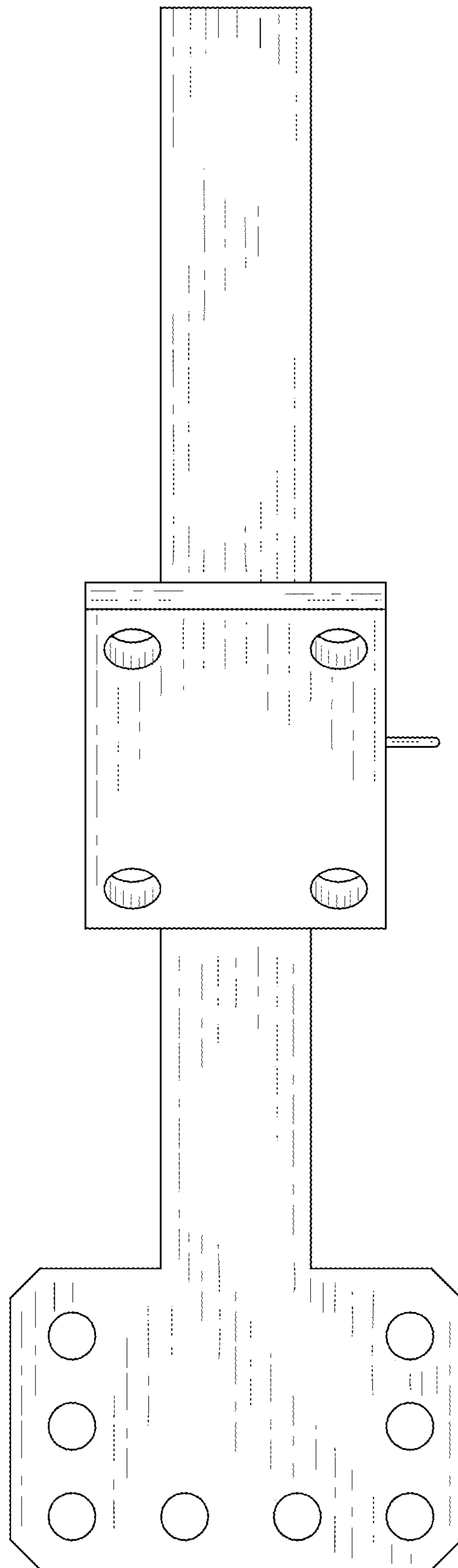


FIG 9

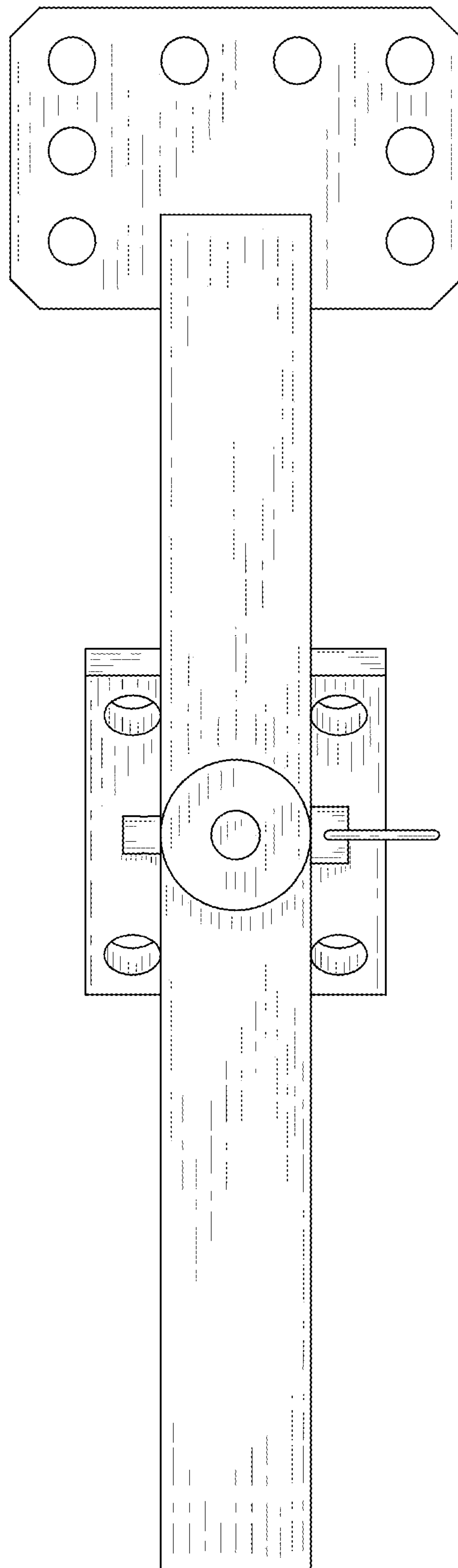


FIG 10

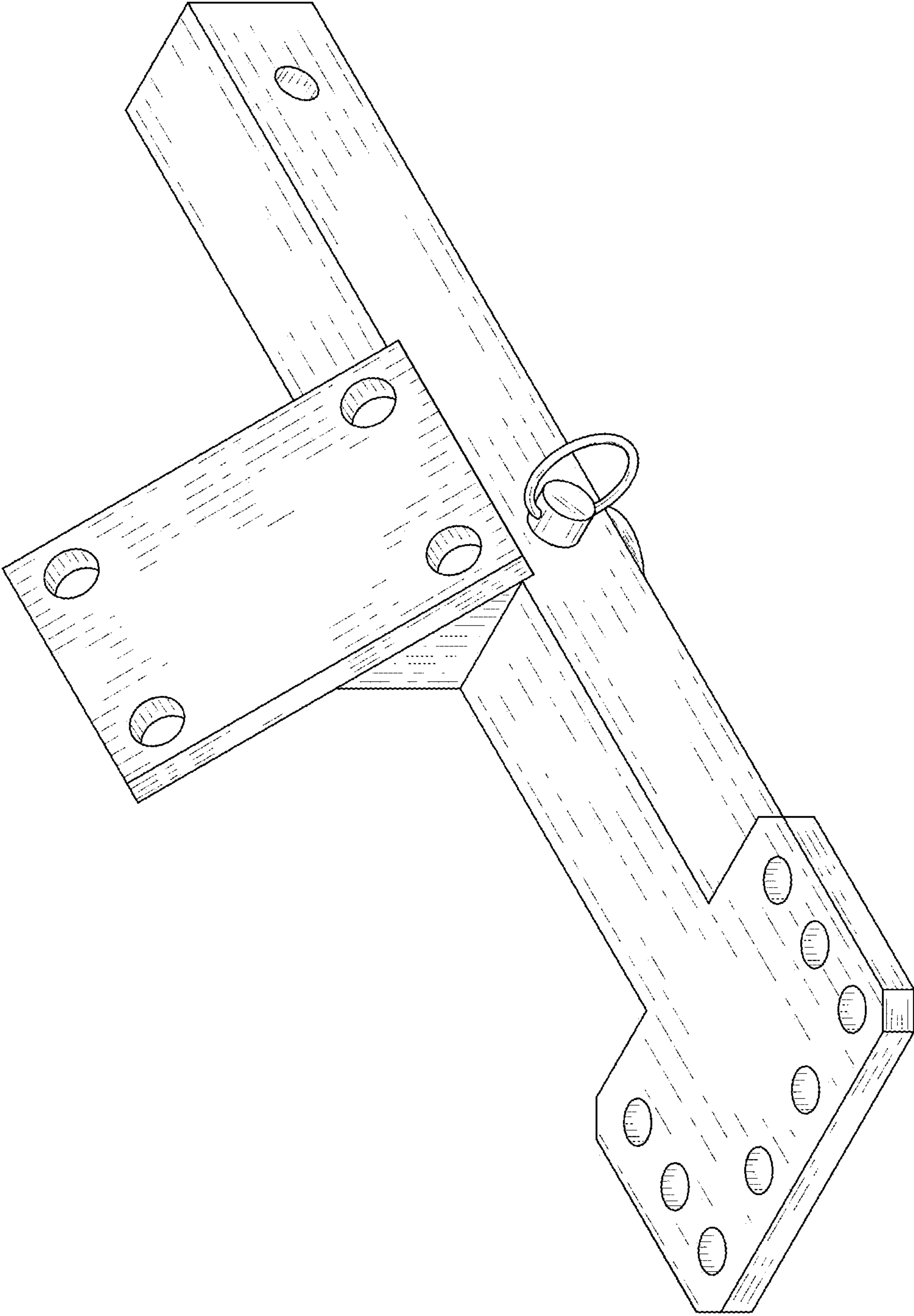


FIG 11

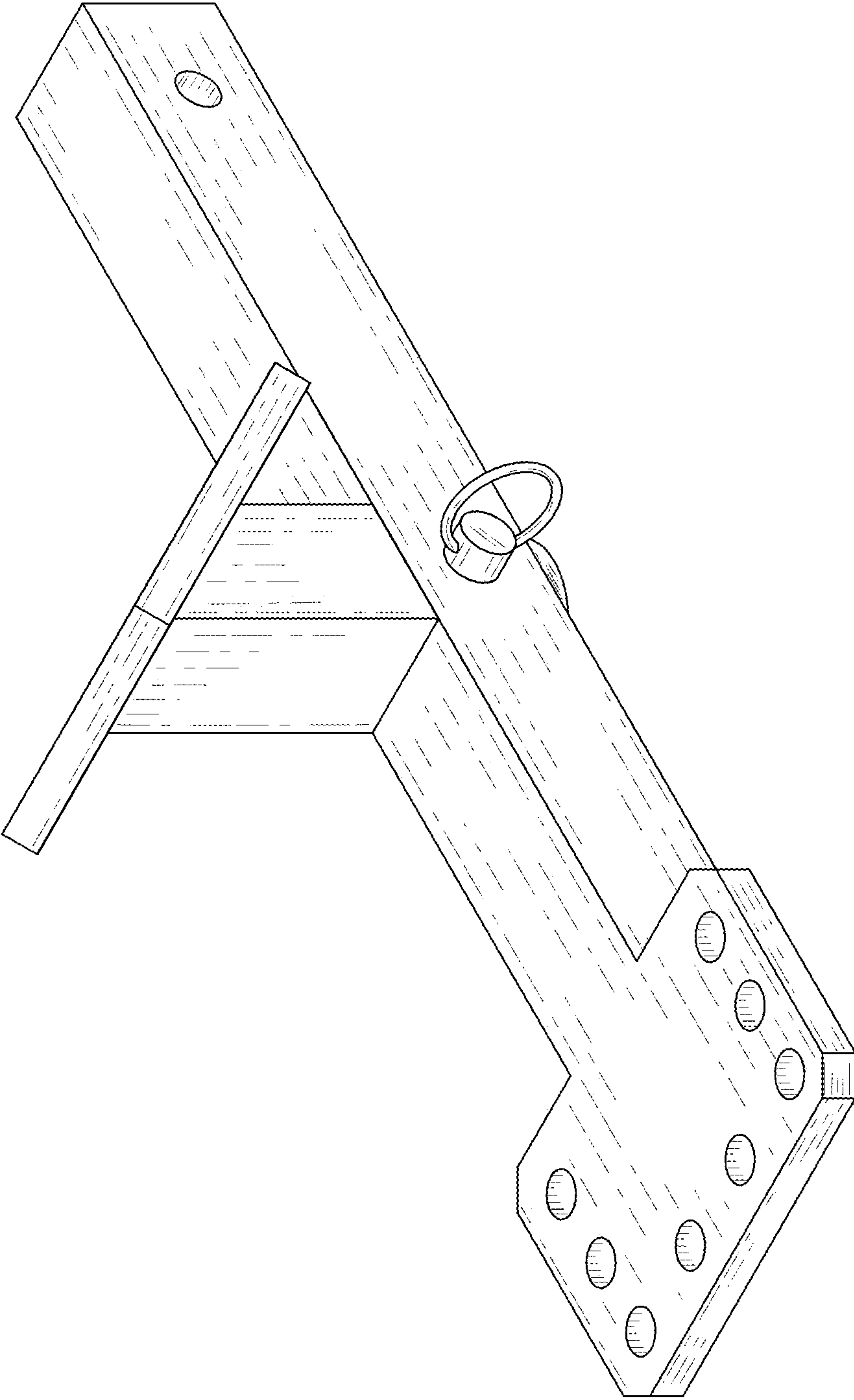


FIG 12

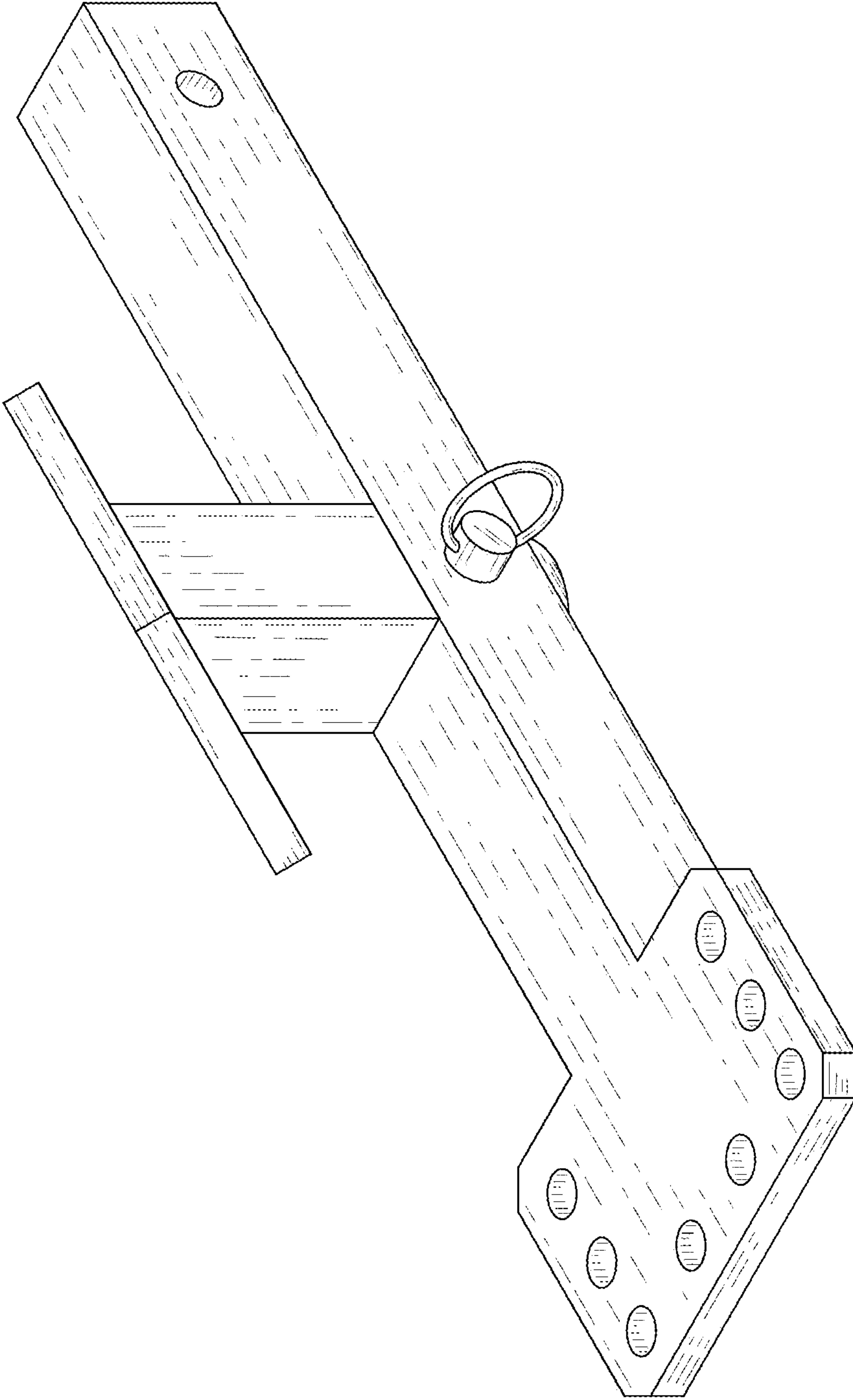


FIG 13