



US00D888614S

(12) **United States Design Patent** (10) **Patent No.:** **US D888,614 S**  
**Melville-Brown et al.** (45) **Date of Patent:** **\*\* Jun. 30, 2020**

(54) **VEHICLE BODY AND/OR REPLICA**

D689,795 S 9/2013 Takei et al.  
D693,737 S 11/2013 Hammoud et al.  
D705,700 S \* 5/2014 Chen ..... D12/91  
(Continued)

(71) Applicant: **HONDA MOTOR CO., LTD.**, Tokyo  
(JP)

(72) Inventors: **Guy Thomas Melville-Brown**,  
Manhattan Beach, CA (US); **William R  
Yex**, Redondo Beach, CA (US);  
**Benjamin R Davidson**, Torrance, CA  
(US)

FOREIGN PATENT DOCUMENTS

AU 315985 S 9/2007  
AU 324015 S 1/2009  
(Continued)

(73) Assignee: **HONDA MOTOR CO., LTD.**, Tokyo  
(JP)

OTHER PUBLICATIONS

“2018 Honda Pilot—The Modern Midsize Family Suv,” Honda  
Motor Co., <https://automobiles.honda.com/pilot>, accessed Jun. 18,  
2018.

(\*\*) Term: **15 Years**

(Continued)

(21) Appl. No.: **29/653,842**

*Primary Examiner* — Melody N Brown

(22) Filed: **Jun. 19, 2018**

(74) *Attorney, Agent, or Firm* — Arent Fox LLP

(51) **LOC (12) Cl.** ..... **12-08**

(52) **U.S. Cl.**

USPC ..... **D12/91**

(58) **Field of Classification Search**

USPC ..... D12/86, 90–92; D21/424, 433, 434;  
296/181.1–181.5, 183.1

CPC ..... B62D 25/00; B62D 25/06; B62D 33/00;  
B62D 35/00

See application file for complete search history.

(57) **CLAIM**

The ornamental design for a vehicle body and/or replica, as  
shown and described.

**DESCRIPTION**

FIG. 1 is a left, front perspective view of a vehicle body  
and/or replica showing our new design;  
FIG. 2 is a left, rear perspective view thereof;  
FIG. 3 is a right, front perspective view thereof;  
FIG. 4 is a right, rear perspective view thereof;  
FIG. 5 is a front elevational view thereof;  
FIG. 6 is a rear elevational view thereof;  
FIG. 7 is a right side elevational view thereof;  
FIG. 8 is a left side elevational view thereof;  
FIG. 9 is a top plan view thereof; and,  
FIG. 10 is a bottom plan view thereof.

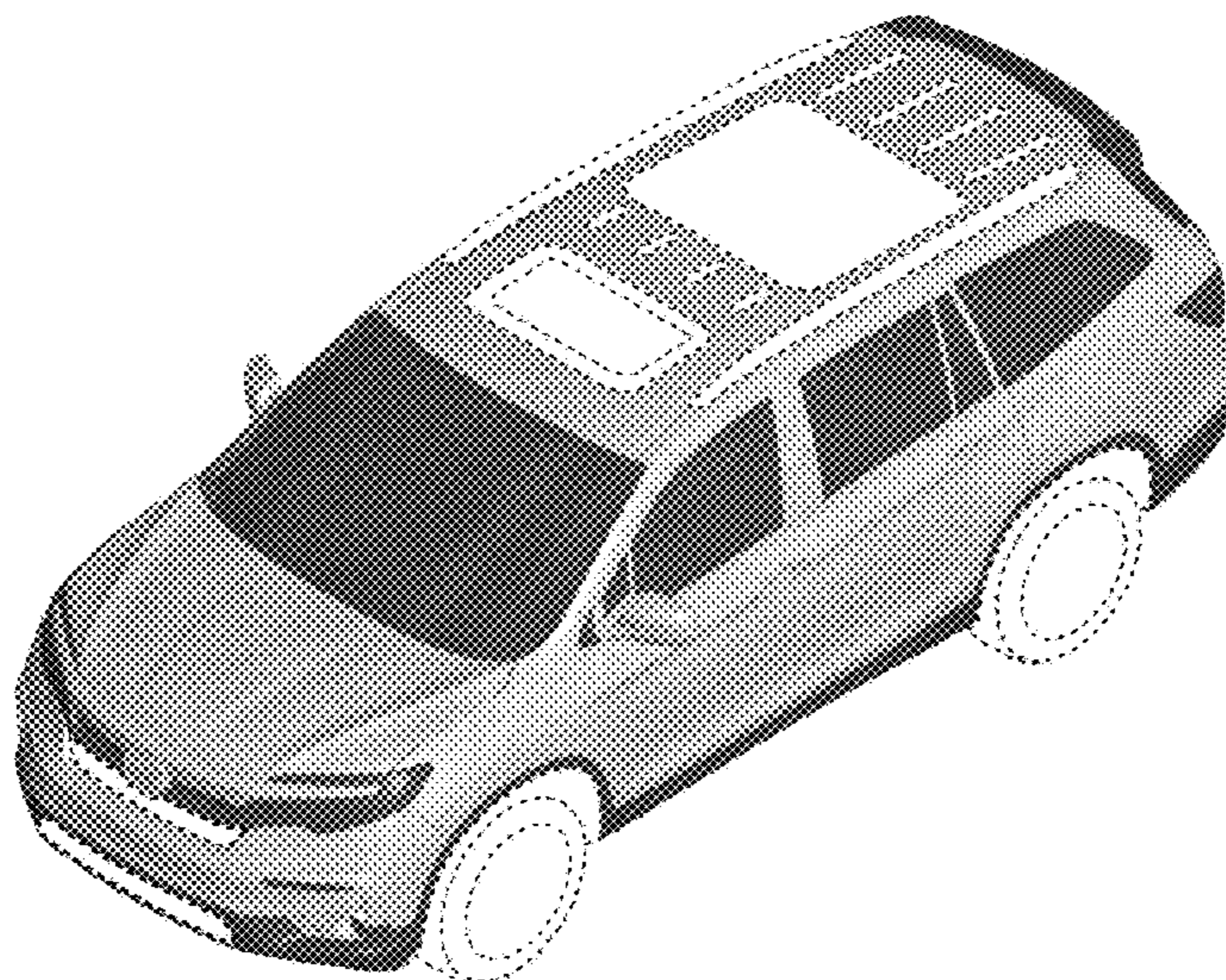
The broken lines shown in the figures are included for the  
purpose of illustrating portions of the vehicle and/or replica  
and form no part of the claimed design.

(56) **References Cited**

U.S. PATENT DOCUMENTS

D497,840 S 11/2004 Egger  
D515,972 S 2/2006 Ikeda et al.  
D554,564 S 11/2007 Vardis et al.  
D613,645 S 4/2010 Song et al.  
D619,500 S 7/2010 Hsu et al.  
D619,501 S 7/2010 Mueller  
D647,003 S 10/2011 Kim  
D670,606 S 11/2012 Frenzel et al.  
D674,726 S 1/2013 Yamada et al.  
D680,906 S 4/2013 Sugimoto et al.  
D686,949 S \* 7/2013 Minami ..... D12/91

**1 Claim, 10 Drawing Sheets**



(56)

**References Cited**

U.S. PATENT DOCUMENTS

D708,552 S 7/2014 De Bono  
 D710,760 S 8/2014 Johnson  
 D719,875 S \* 12/2014 Jang ..... D12/91  
 D729,138 S 5/2015 Davidson et al.  
 D746,175 S 12/2015 Wolff et al.  
 D746,722 S 1/2016 Henstridge  
 D752,484 S 3/2016 Davidson et al.  
 D759,540 S 6/2016 Davidson et al.  
 D760,628 S 7/2016 Davidson et al.  
 D761,457 S 7/2016 Davidson et al.  
 D761,693 S \* 7/2016 Lian ..... D12/91  
 D764,083 S 8/2016 Davidson et al.  
 D766,778 S \* 9/2016 Lian ..... D12/91  
 D767,467 S 9/2016 Davidson et al.  
 D772,117 S 11/2016 Davidson et al.  
 D774,427 S 12/2016 Davidson et al.  
 D774,428 S 12/2016 Davidson et al.  
 D784,856 S 4/2017 Hatton  
 D798,193 S 9/2017 Potter  
 D803,725 S \* 11/2017 Suzuki ..... D12/91  
 D804,996 S \* 12/2017 Sahara ..... D12/91

D807,227 S \* 1/2018 Chen ..... D12/91  
 D810,625 S \* 2/2018 Sungjun ..... D12/91  
 D820,160 S \* 6/2018 Smock ..... D12/91  
 D823,165 S \* 7/2018 Chung ..... D12/91  
 D847,694 S \* 5/2019 Smock ..... D12/91

FOREIGN PATENT DOCUMENTS

AU	328763 S	12/2009
AU	332631 S	9/2010
CA	132364 S	9/2010
CA	136580 S	3/2011
CA	137083 S	9/2011
GB	2057708 S	2/1996
GB	3000080 S	12/2001
GB	3006398 S	8/2002

OTHER PUBLICATIONS

Substantive Report issued from the Chilean Patent Office in corresponding Patent Application No. 2018-003666, dated Mar. 9, 2020.

\* cited by examiner



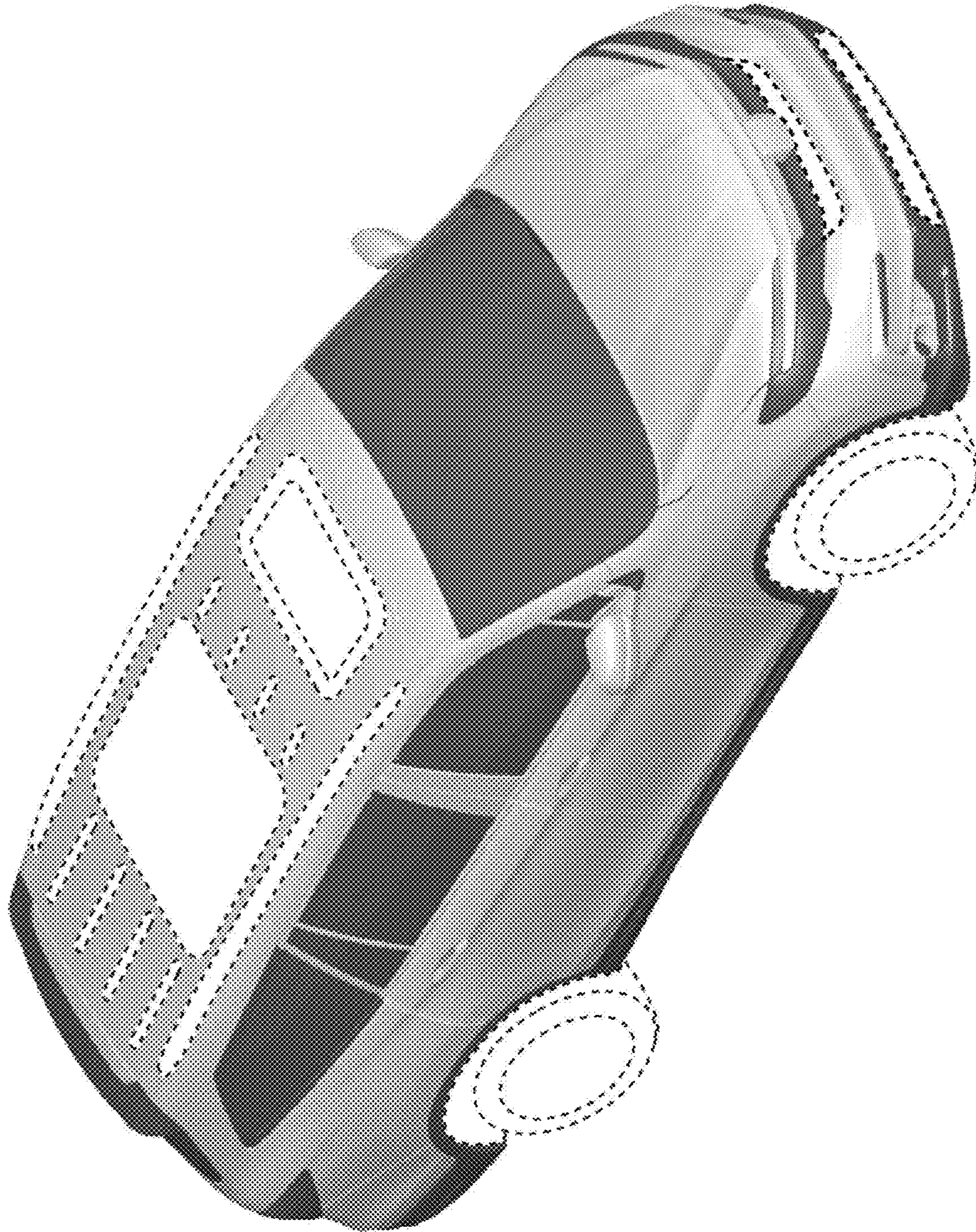


FIG. 1



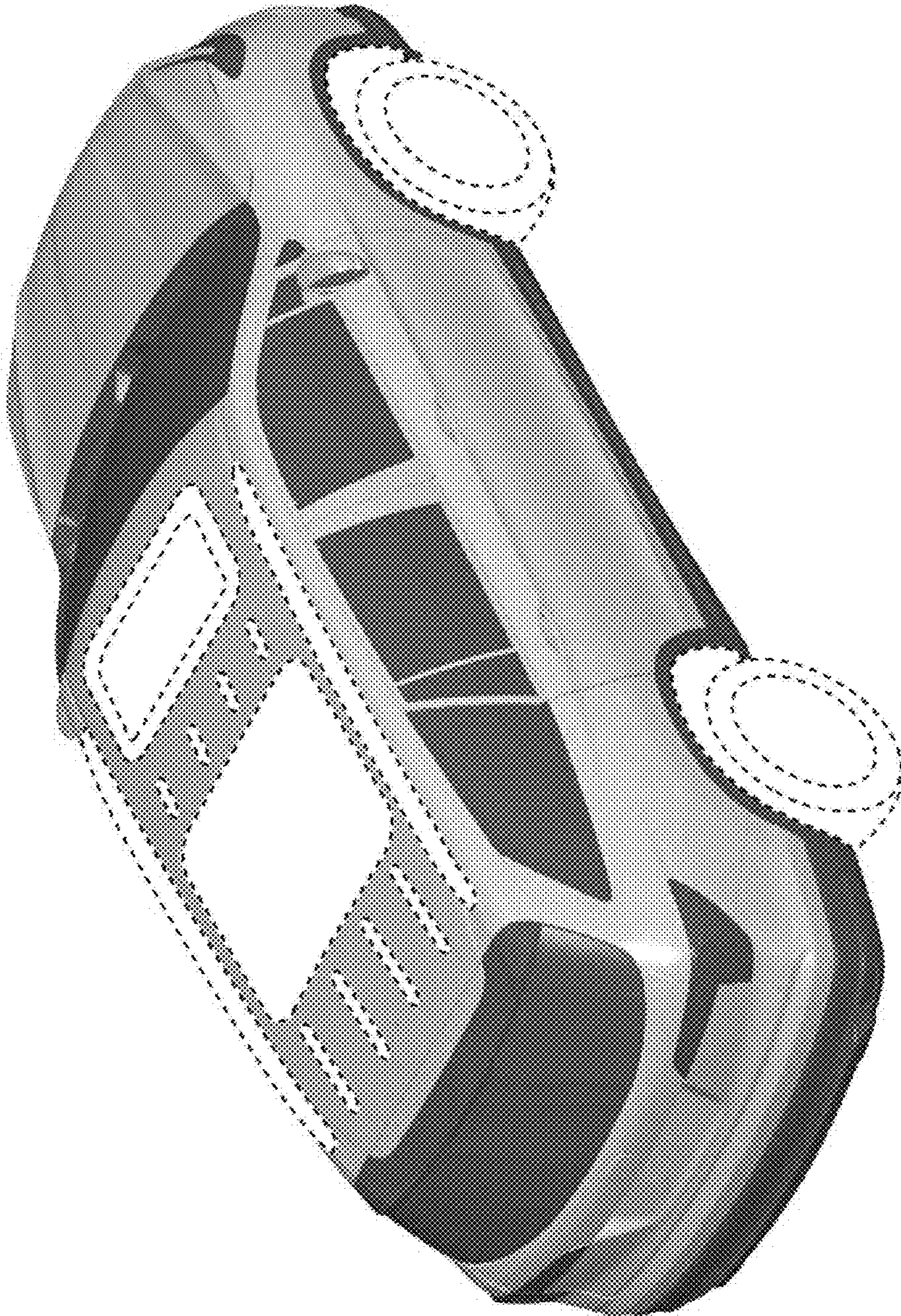


FIG. 2



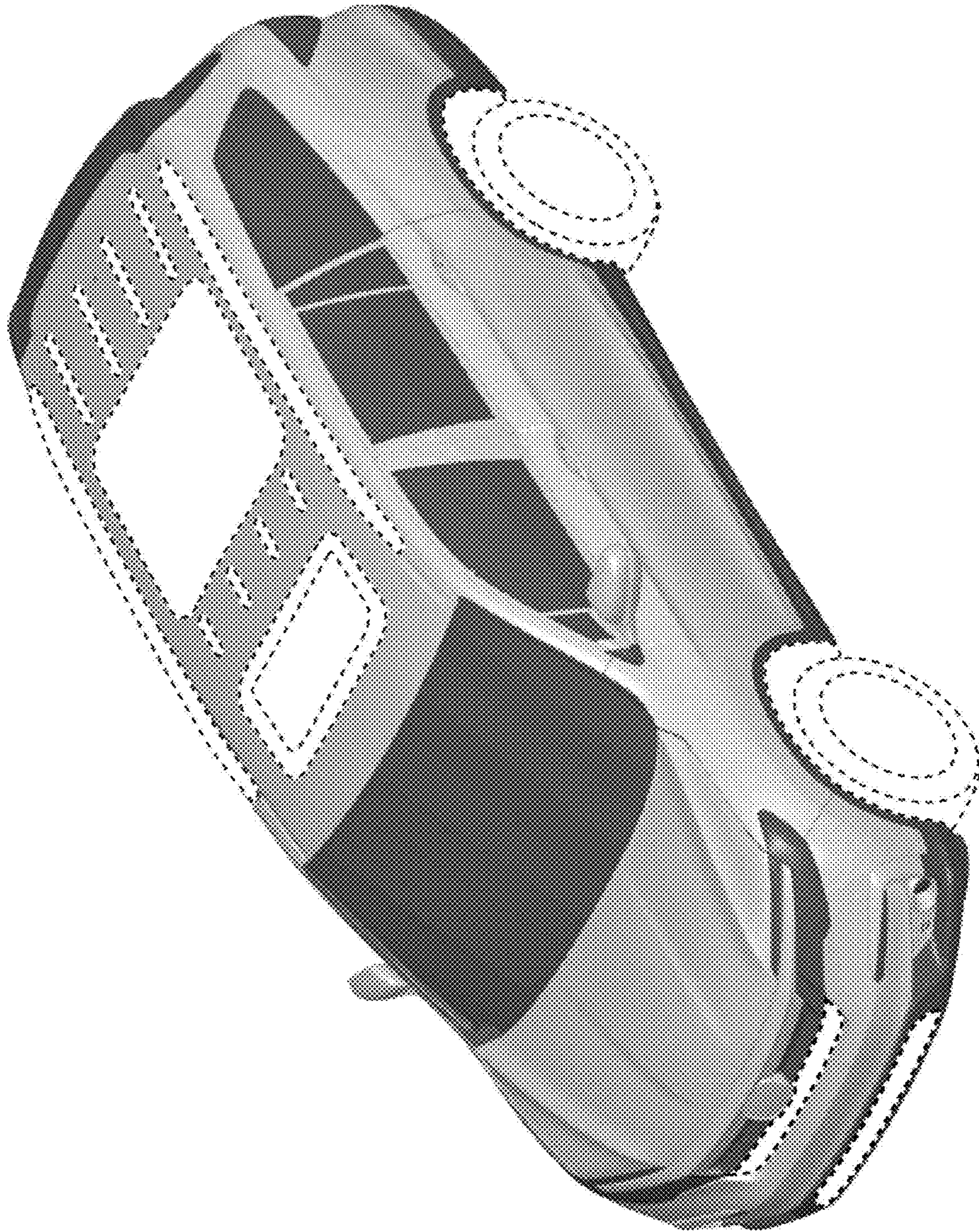


FIG. 3



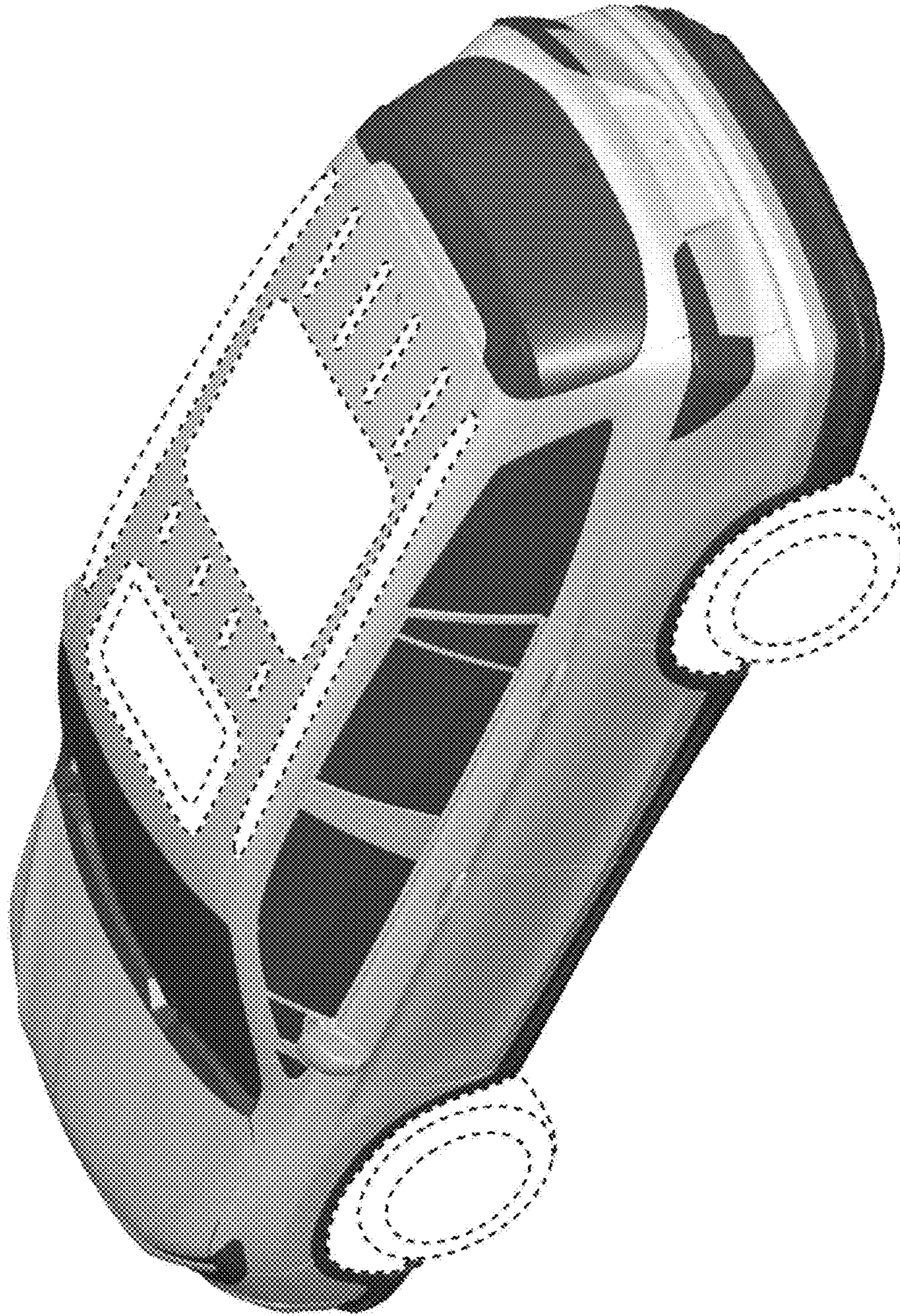


FIG. 4



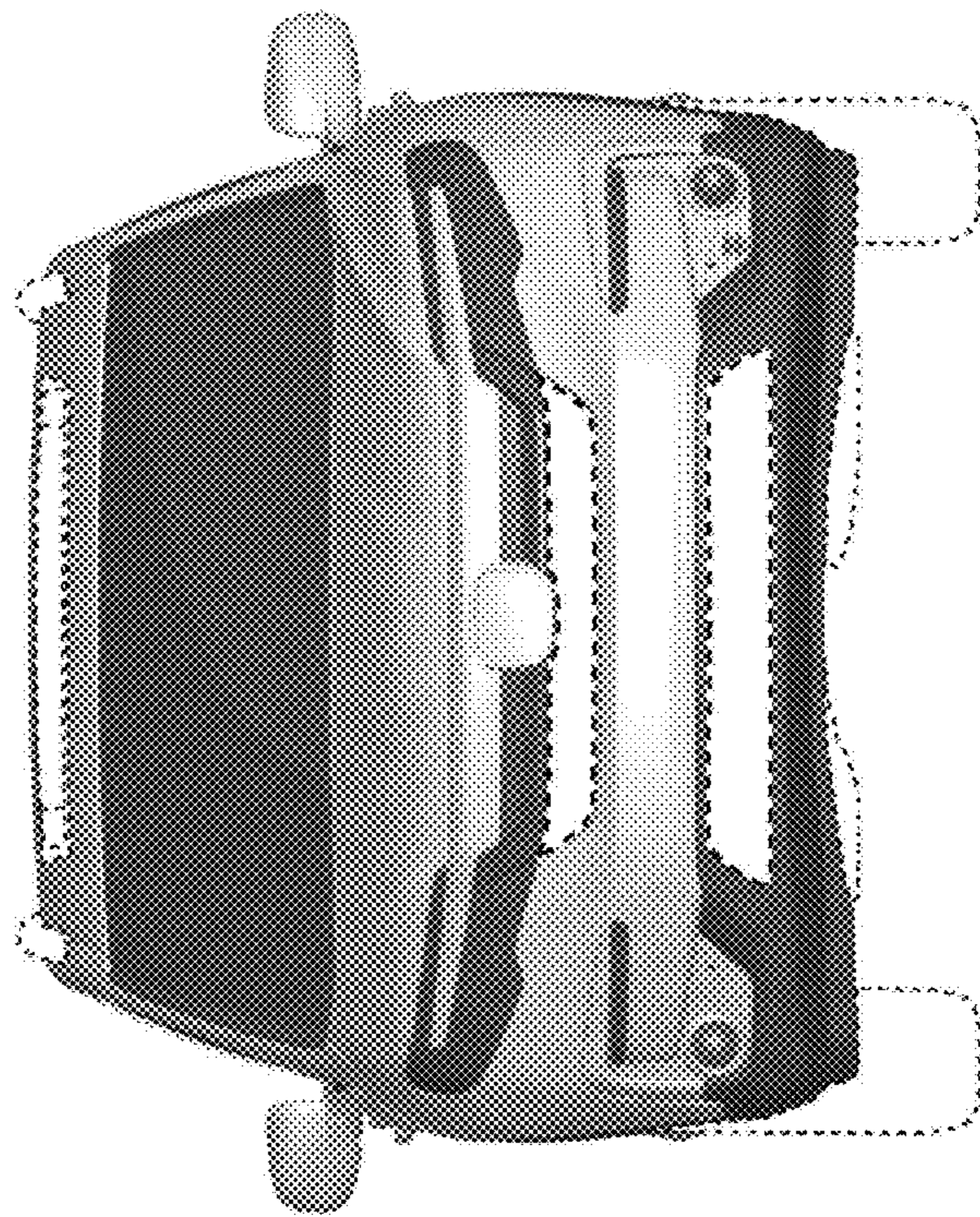


FIG. 5



FIG. 6



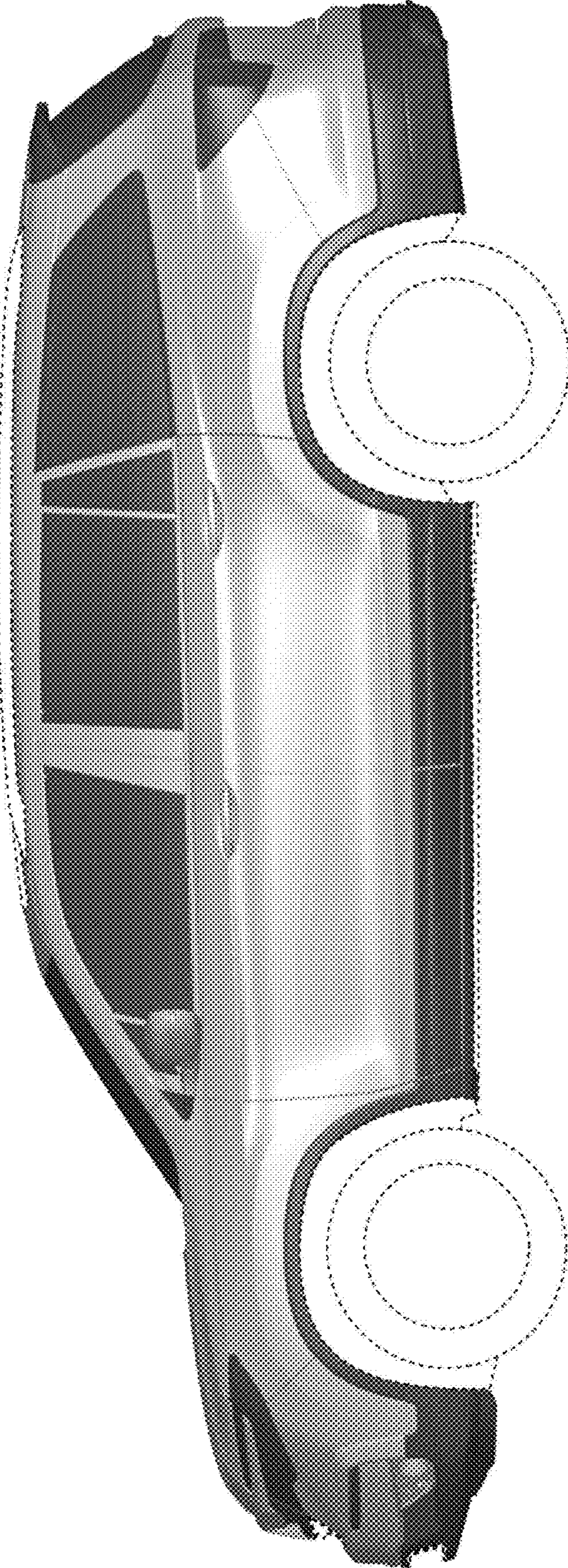


FIG. 7



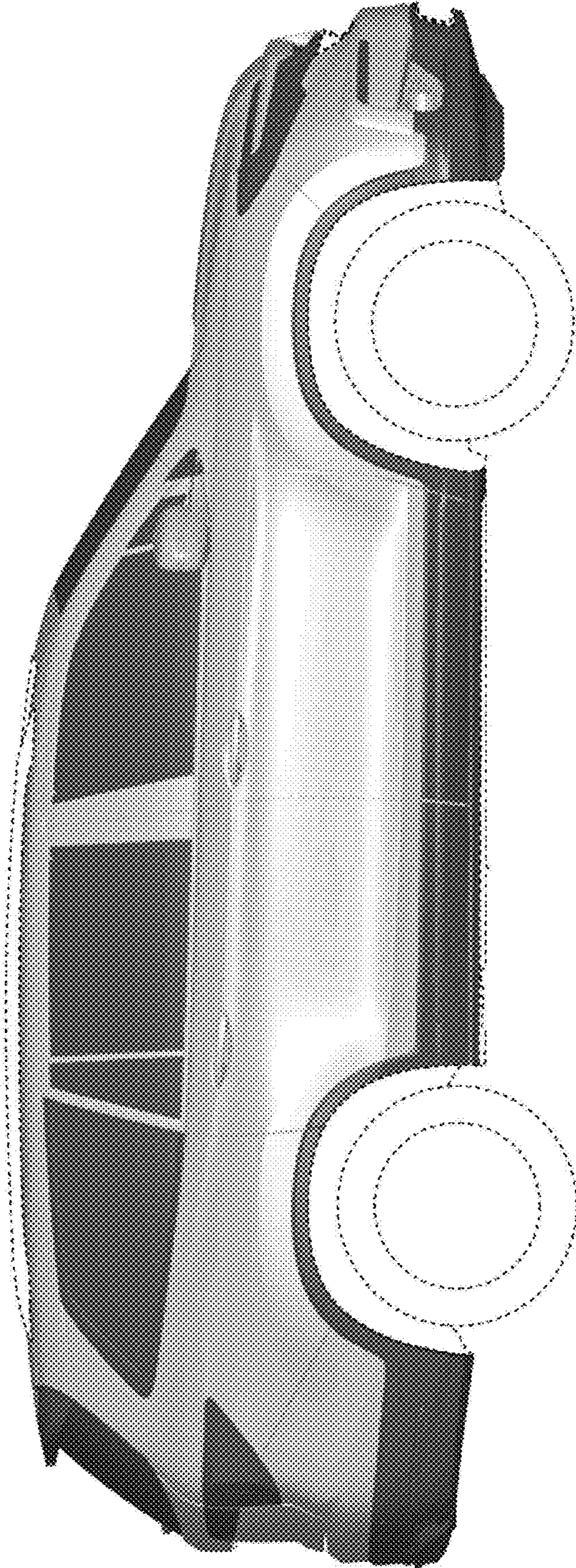


FIG. 8



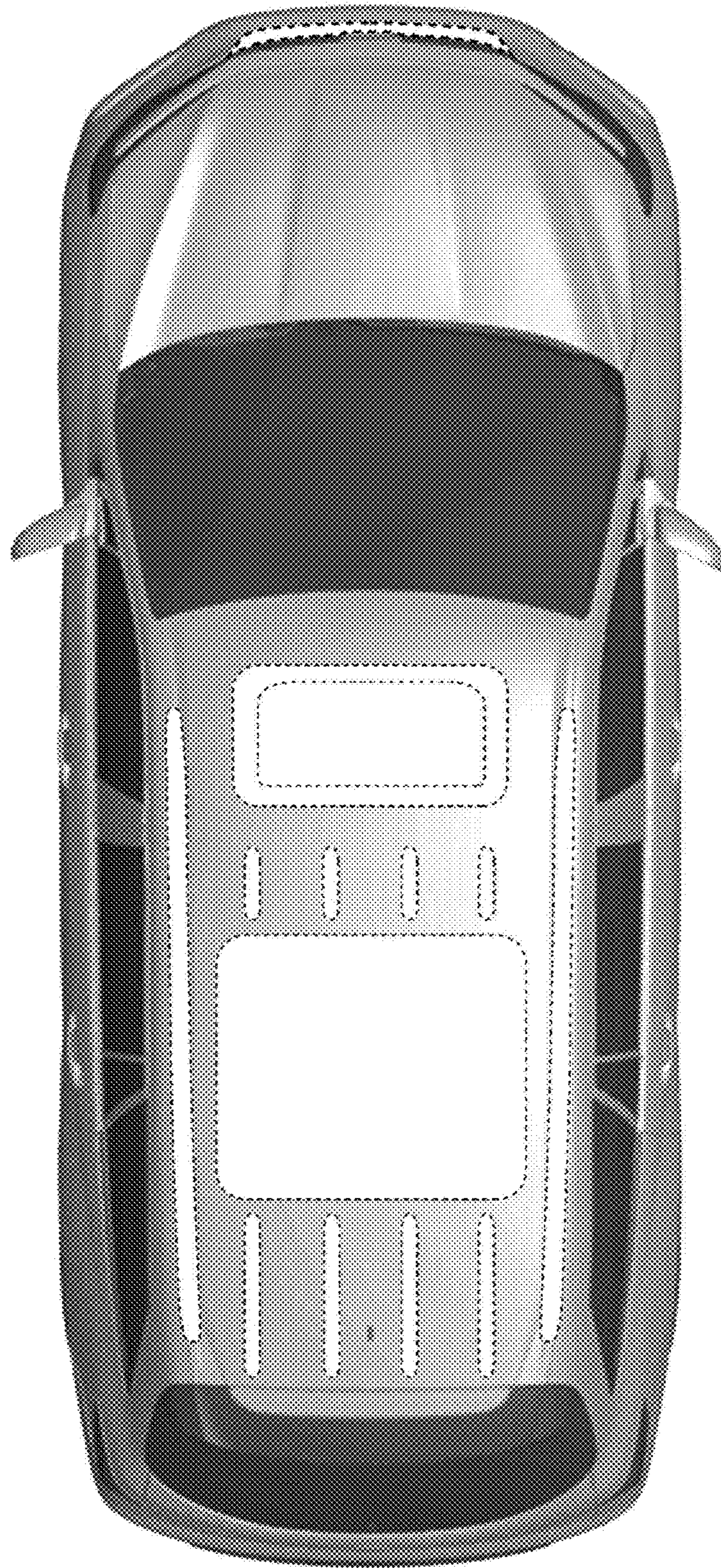


FIG. 9



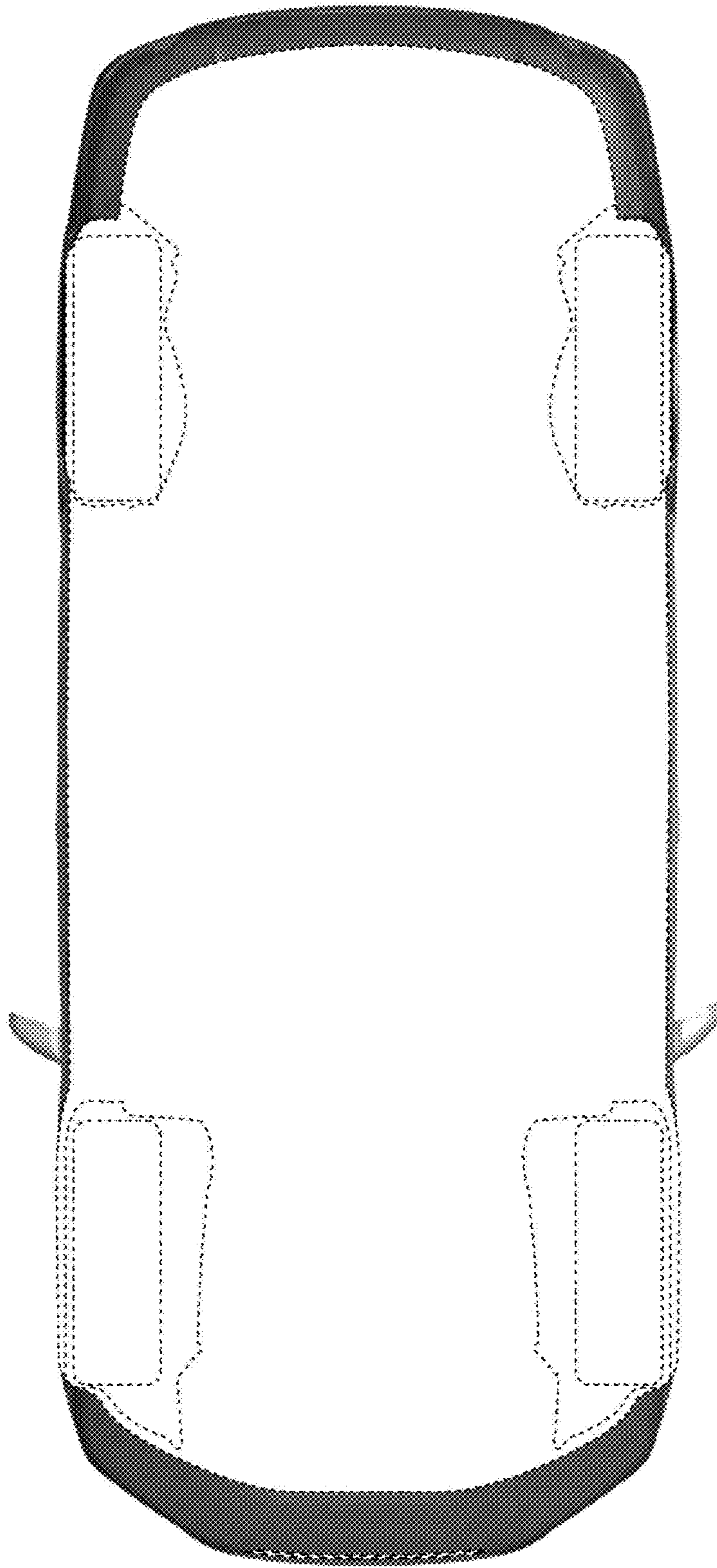


FIG. 10