



US00D888612S

(12) **United States Design Patent**
Spater

(10) **Patent No.:** **US D888,612 S**

(45) **Date of Patent:** **** Jun. 30, 2020**

(54) **NESTING SEATBELT TONGUE**

(71) Applicant: **RADIO SYSTEMS CORPORATION,**
Knoxville, TN (US)

(72) Inventor: **Christopher Spater,** Burlington, VT
(US)

(73) Assignee: **RADIO SYSTEMS CORPORATION,**
Knoxville, TN (US)

(**) Term: **15 Years**

(21) Appl. No.: **29/647,949**

(22) Filed: **May 17, 2018**

(51) **LOC (12) Cl.** **02-07**

(52) **U.S. Cl.**
USPC **D11/218**

(58) **Field of Classification Search**

USPC D2/624, 626, 627, 633, 639, 640, 853,
D2/923; D3/24, 213, 215, 216, 230;
D8/14, 331, 343, 349, 356, 358, 359, 360,
D8/363, 366, 371, 382, 394, 395;
D10/32, 38; D11/1, 2, 3, 12, 16, 86, 87,
D11/93, 200, 201, 206-210, 212-218,
(Continued)

(56) **References Cited**

U.S. PATENT DOCUMENTS

686,934 A 11/1901 Clark
1,434,312 A 11/1922 Penney
(Continued)

Primary Examiner — Kevin K Rudzinski

Assistant Examiner — Richard Kearney

(74) *Attorney, Agent, or Firm* — Baker, Donelson,
Bearman, Caldwell & Berkowitz PC

(57) **CLAIM**

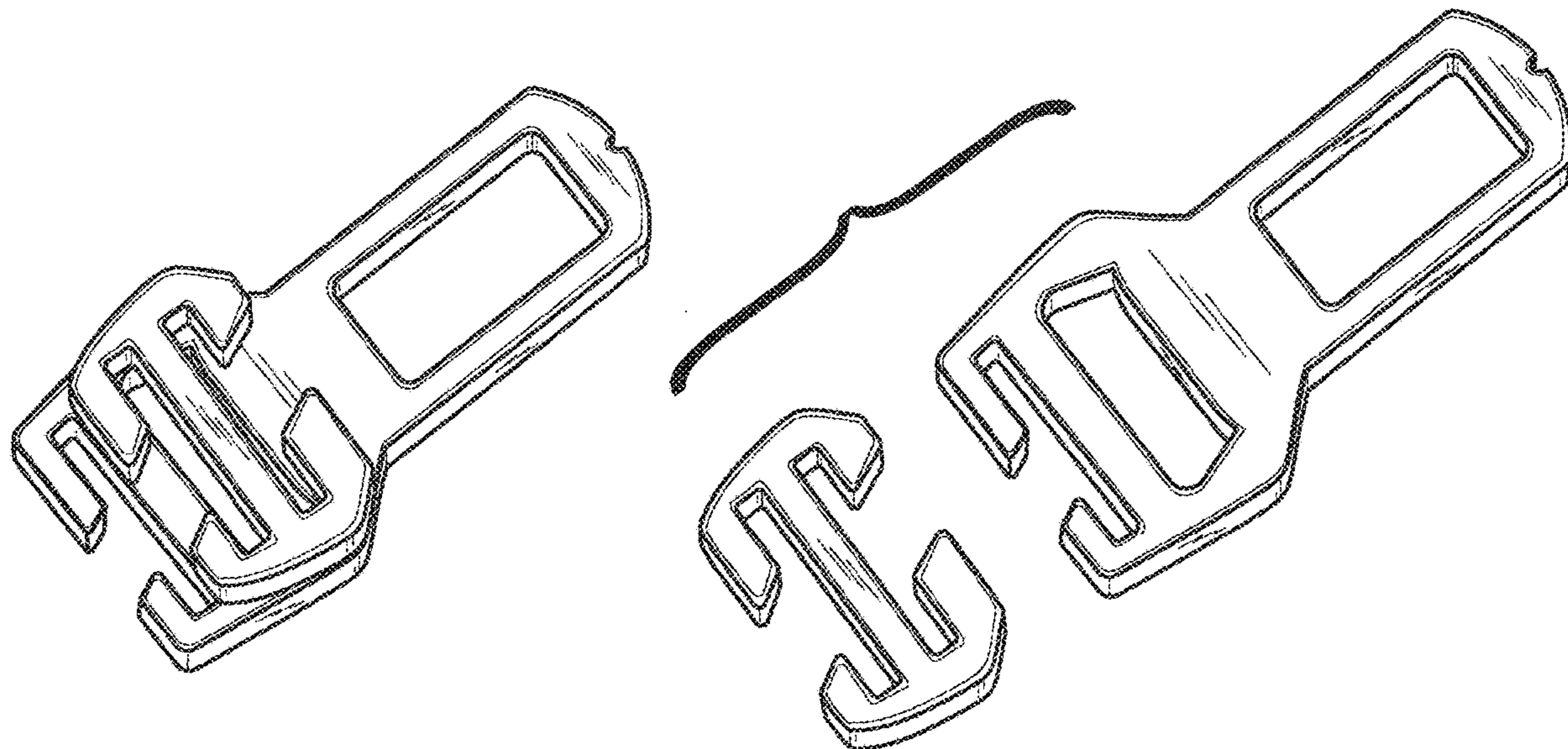
The ornamental design for a nesting seatbelt tongue, as shown and described.

DESCRIPTION

FIG. 1 shows a perspective view of my design for a nesting seatbelt tongue;
FIG. 2 is an exploded perspective view thereof;
FIG. 3 is a top view of a first component, bottom view being a mirror image thereof;
FIG. 4 is a left side view of a first component, the right side view being a mirror image thereof;
FIG. 5 is a front view of a first component, image thereof;
FIG. 6 is a back view of a first component, image thereof;
FIG. 7 is a top view of a second component, bottom view being a mirror image thereof;
FIG. 8 is a left side view of a second component, the right side view being a mirror image thereof;
FIG. 9 is a front view of a second component, image thereof;
FIG. 10 is a back view of a second component, image thereof;
FIG. 11 is an exploded top view of a first and second component image thereof;
FIG. 12 is a top view of a first and second component image thereof;
FIG. 13 is a left side view of a first and second component, right side view being a mirror image thereof;
FIG. 14 is a bottom view of a first and second component image thereof;
FIG. 15 is a front view of a first and second component image thereof; and,
FIG. 16 is a back view of a first and second component image thereof.

The broken lines shown of the webbing is for illustrative purposes only and form no part of the claimed design.
The nesting seatbelt tongue of the present invention is designed to attach to a any length of webbing and be inserted into a female seatbelt slot.

1 Claim, 4 Drawing Sheets



(58) **Field of Classification Search**
 USPC D11/229-237; D12/195, 416;
 D29/100-101.5, 122, 129, 130; D30/139,
 D30/152, 153
 CPC A44B 11/00; A44B 11/02; A44B 11/04;
 A44B 11/05; A44B 11/06; A44B 11/10;
 A44B 11/14; A44B 11/18; A44B 11/22;
 A44B 11/25; A44B 11/26; A44B 11/125;
 A44B 11/223; A44B 11/001; A44B
 11/005; A44B 11/006; A44B 11/2503;
 A44B 11/2507; A44B 11/2526; A44B
 11/2553; A44B 11/2592; A41F 1/008;
 A41F 9/002; A41F 9/007; A41F 11/06;
 B60R 22/30; B60R 22/32; B60R 22/022;
 B60R 2022/1806; B60R 2022/1812;
 B60R 2022/281; B65D 63/16; A62B
 35/00

See application file for complete search history.

(56) **References Cited**

U.S. PATENT DOCUMENTS

1,494,610 A 5/1924 McGlashan
 1,831,496 A 11/1931 Jasina
 2,269,696 A * 1/1942 Shaulson A41F 11/02
 24/200
 D133,265 S 8/1942 Kaden
 D135,154 S * 3/1943 Huff D11/231
 D161,560 S * 1/1951 White D11/200
 2,807,066 A * 9/1957 Honey A44B 11/2526
 24/644
 2,807,852 A 10/1957 Rave
 D181,436 S * 11/1957 Musser D11/216
 D188,759 S * 9/1960 Sobel D11/212

3,121,270 A * 2/1964 Van Den Broek B65D 63/16
 24/312
 3,256,576 A 6/1966 Klove, Jr.
 3,277,543 A 10/1966 Gaylord
 3,336,641 A * 8/1967 Hunter A44B 11/2534
 24/653
 3,523,342 A * 8/1970 Spires A44B 11/2511
 24/632
 3,555,631 A * 1/1971 Inoue A44B 11/2511
 24/637
 D226,649 S * 4/1973 Patriquin D8/331
 3,897,963 A * 8/1975 Seiffert A44B 11/2511
 280/802
 D239,815 S * 5/1976 Oakes D8/394
 4,100,657 A * 7/1978 Minolla A44B 11/2511
 24/642
 4,429,901 A 2/1984 Clery, Jr. et al.
 D274,862 S * 7/1984 Fildan D11/208
 D275,621 S * 9/1984 Kanzaka D11/200
 D301,994 S * 7/1989 Lu D11/210
 5,548,874 A 8/1996 Mishina
 D377,718 S * 2/1997 Abdi D6/328
 D385,825 S * 11/1997 Johnson, III D11/200
 D418,449 S 1/2000 Lawrence, Jr.
 D488,912 S * 4/2004 Berger D2/627
 D575,669 S 8/2008 David
 D581,315 S 11/2008 Paris
 D594,381 S * 6/2009 Gurule D11/212
 D619,927 S * 7/2010 Guyton D11/212
 8,056,191 B2 11/2011 Crye
 D710,248 S 8/2014 Kirzinger
 D718,186 S * 11/2014 Iannello D11/218
 D721,010 S 1/2015 Spater
 D739,302 S 9/2015 Nilsen
 D781,745 S 3/2017 Ressler
 2016/0288732 A1 * 10/2016 Schmotzer B60R 22/48
 2017/0055643 A1 * 3/2017 Knoedl A44B 11/2553
 2018/0370483 A1 * 12/2018 Chiu B29C 45/1676

* cited by examiner

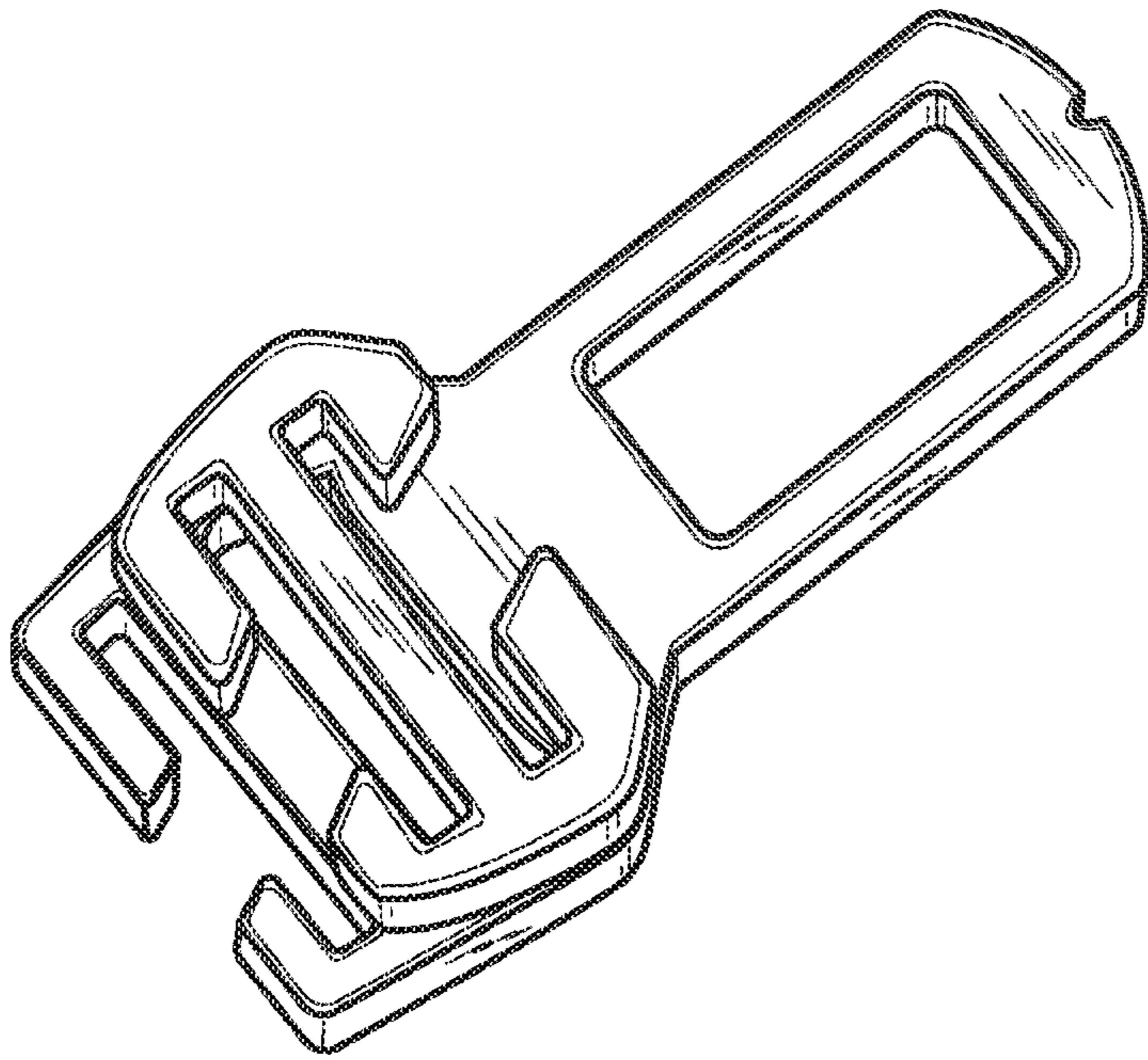


Fig. 1

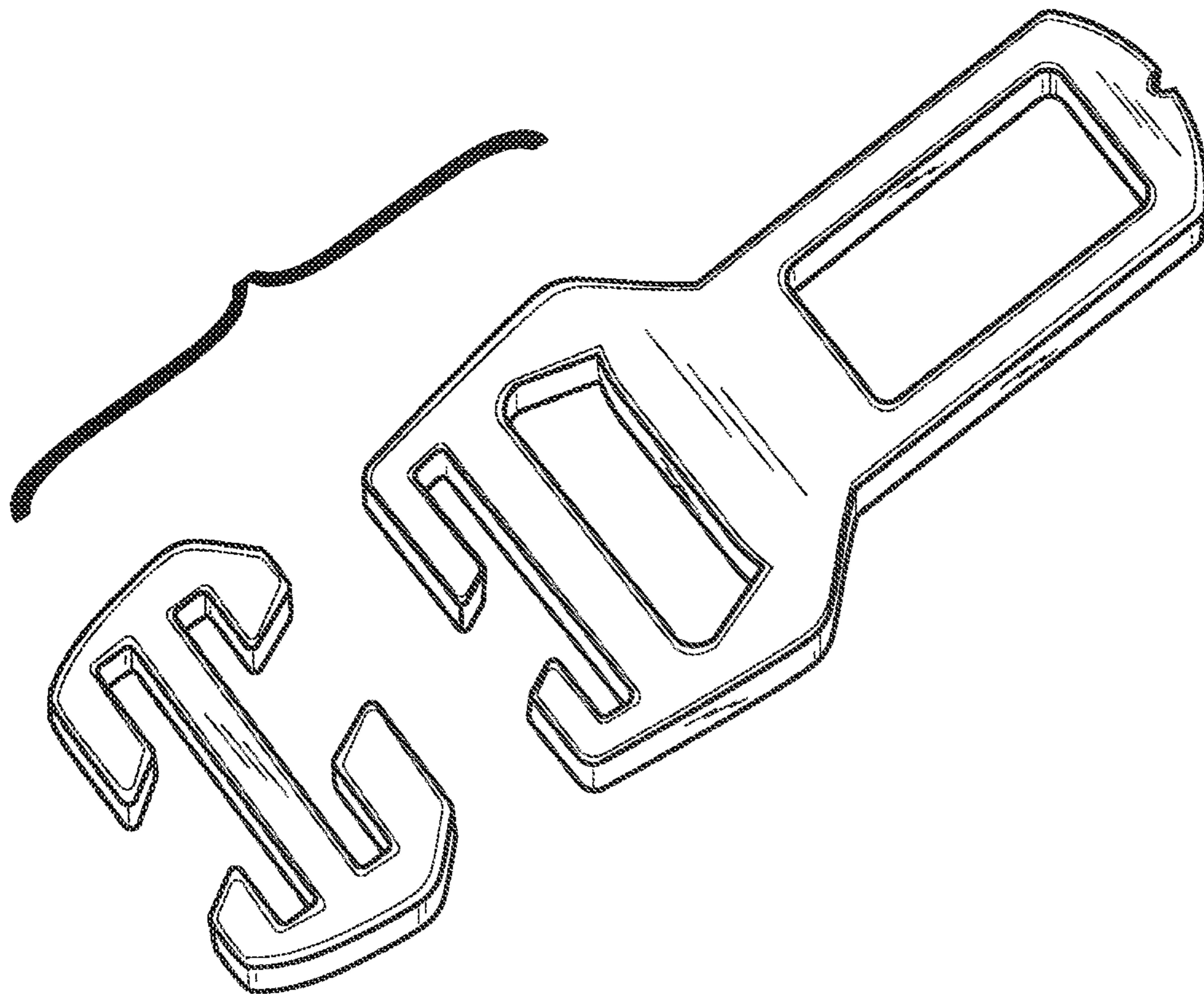


Fig. 2

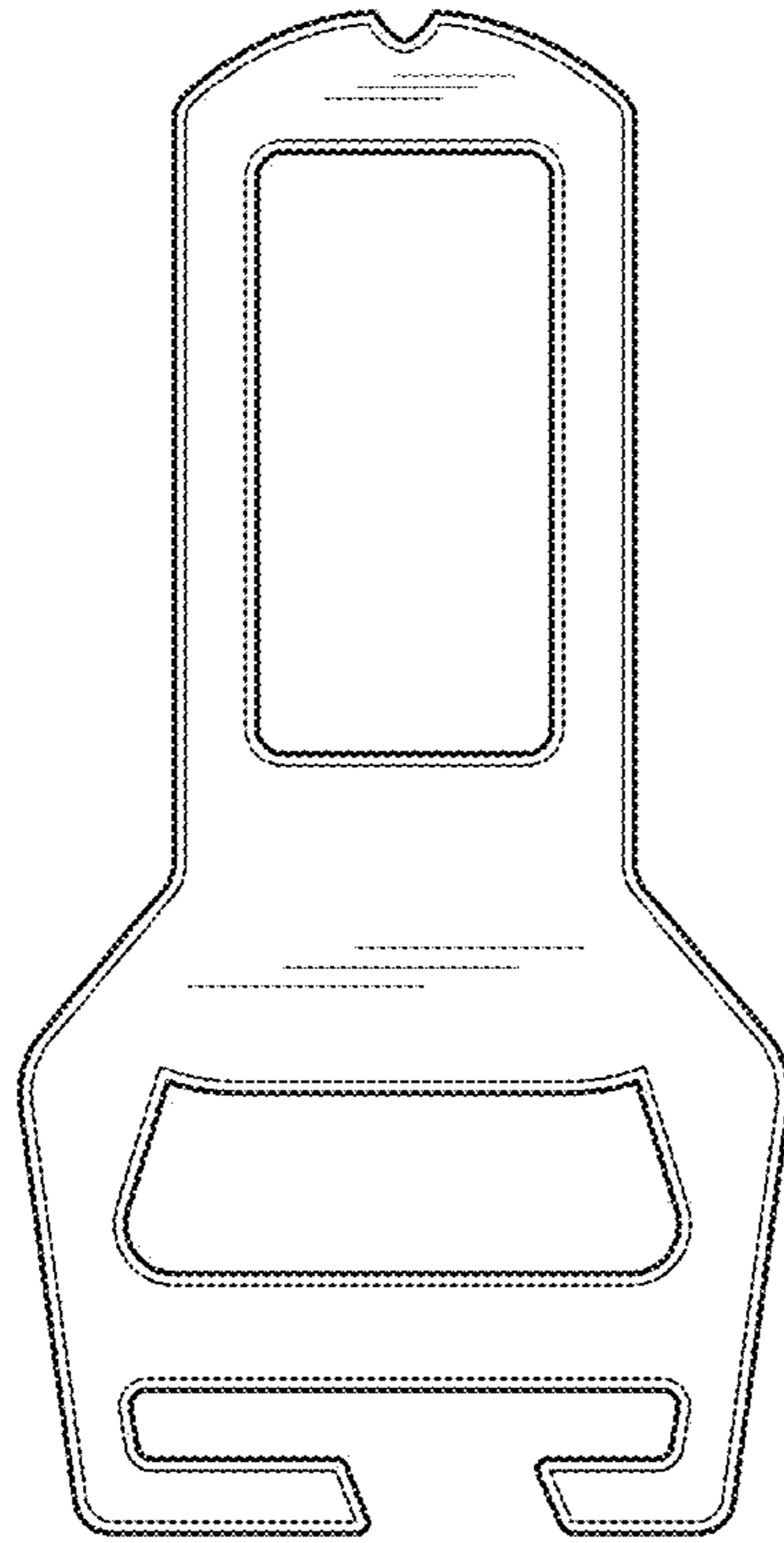


Fig. 3

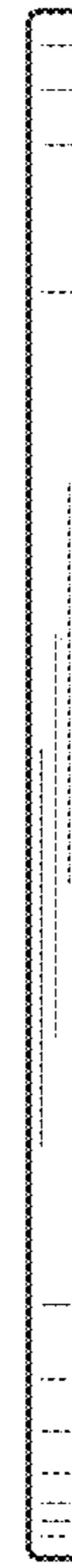


Fig. 4



Fig. 5



Fig. 6

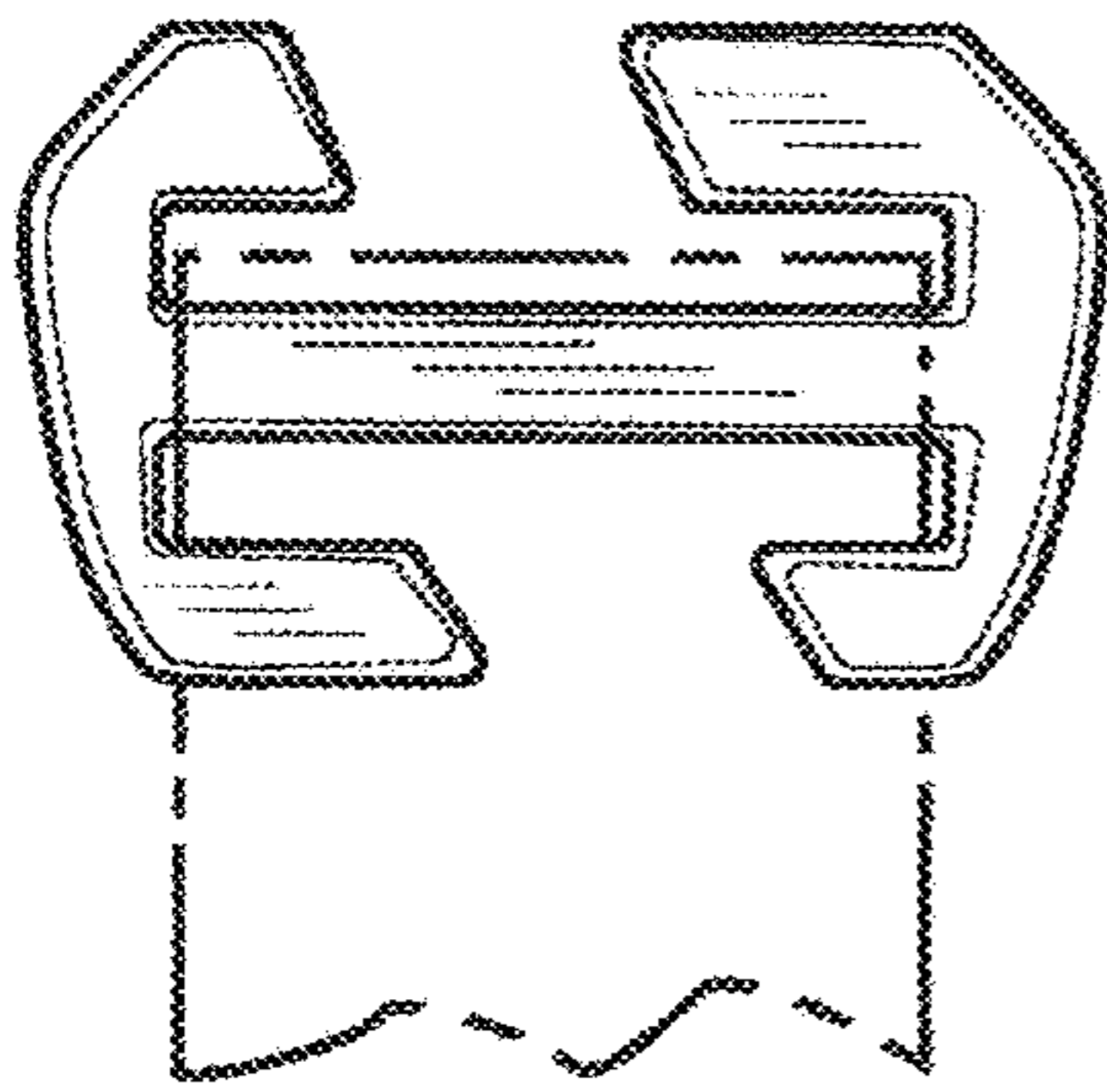


Fig. 7

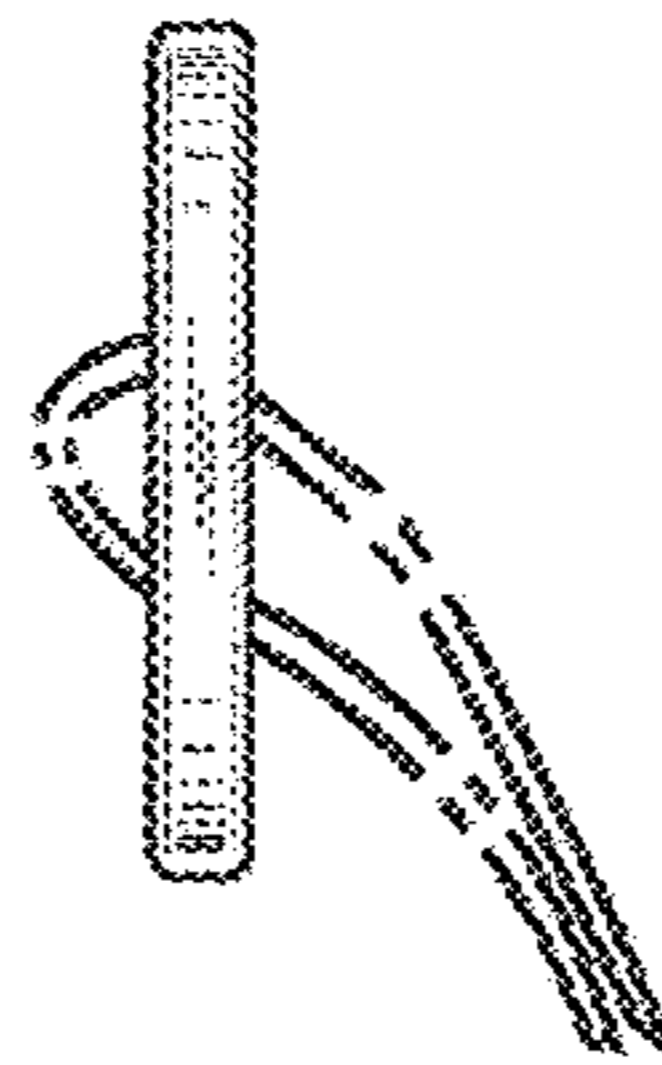


Fig. 8

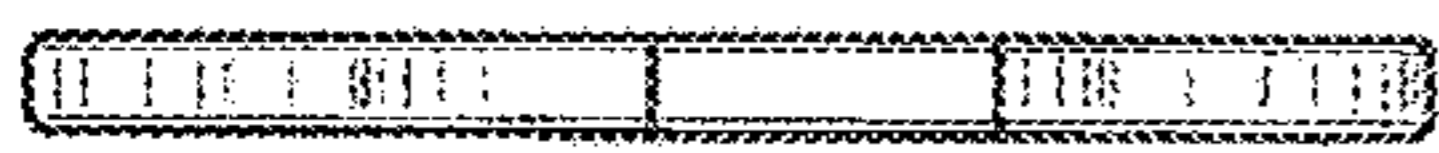


Fig. 9



Fig. 10

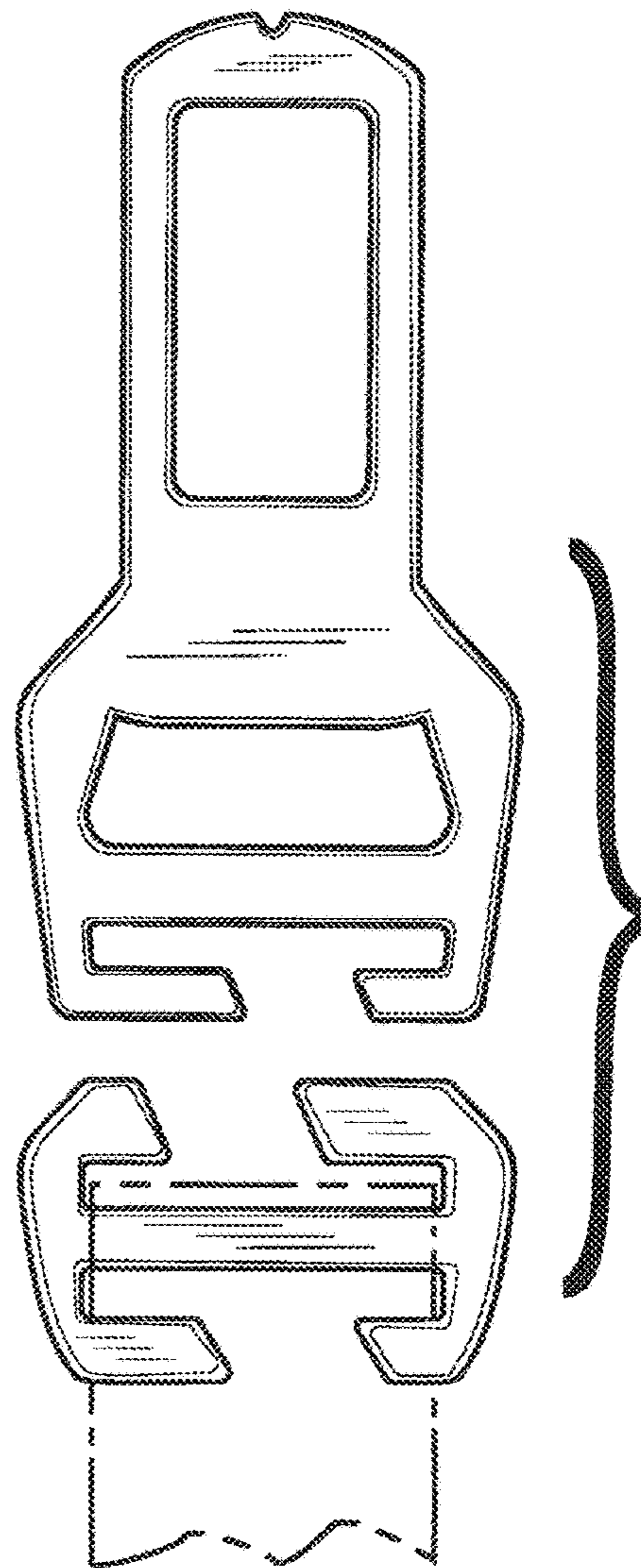


Fig. 11

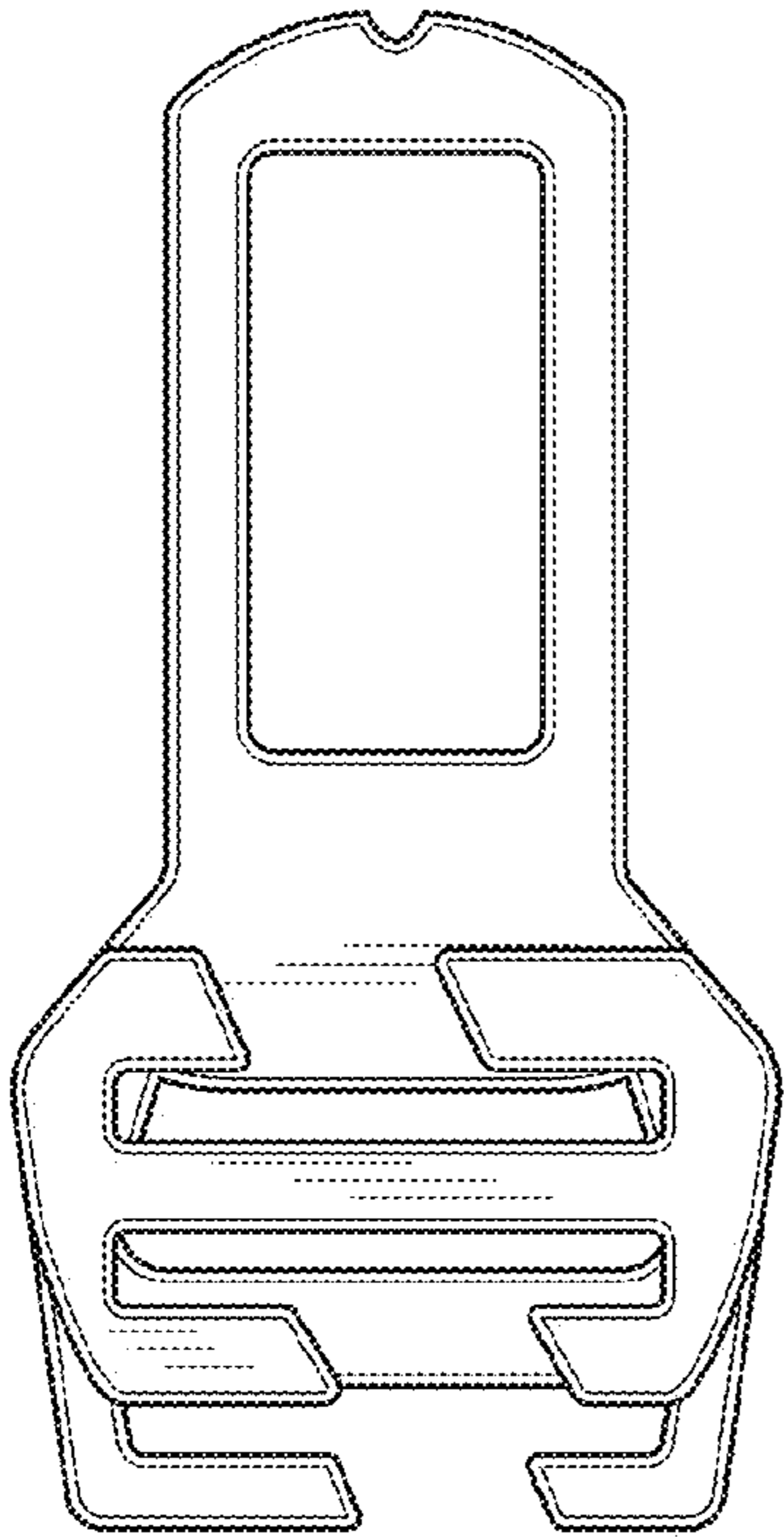


Fig. 12

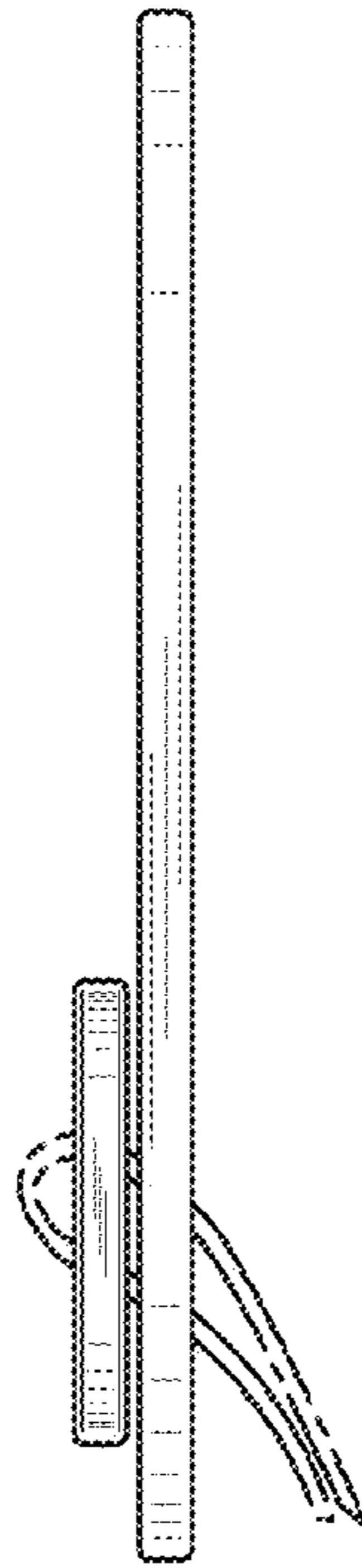


Fig. 13

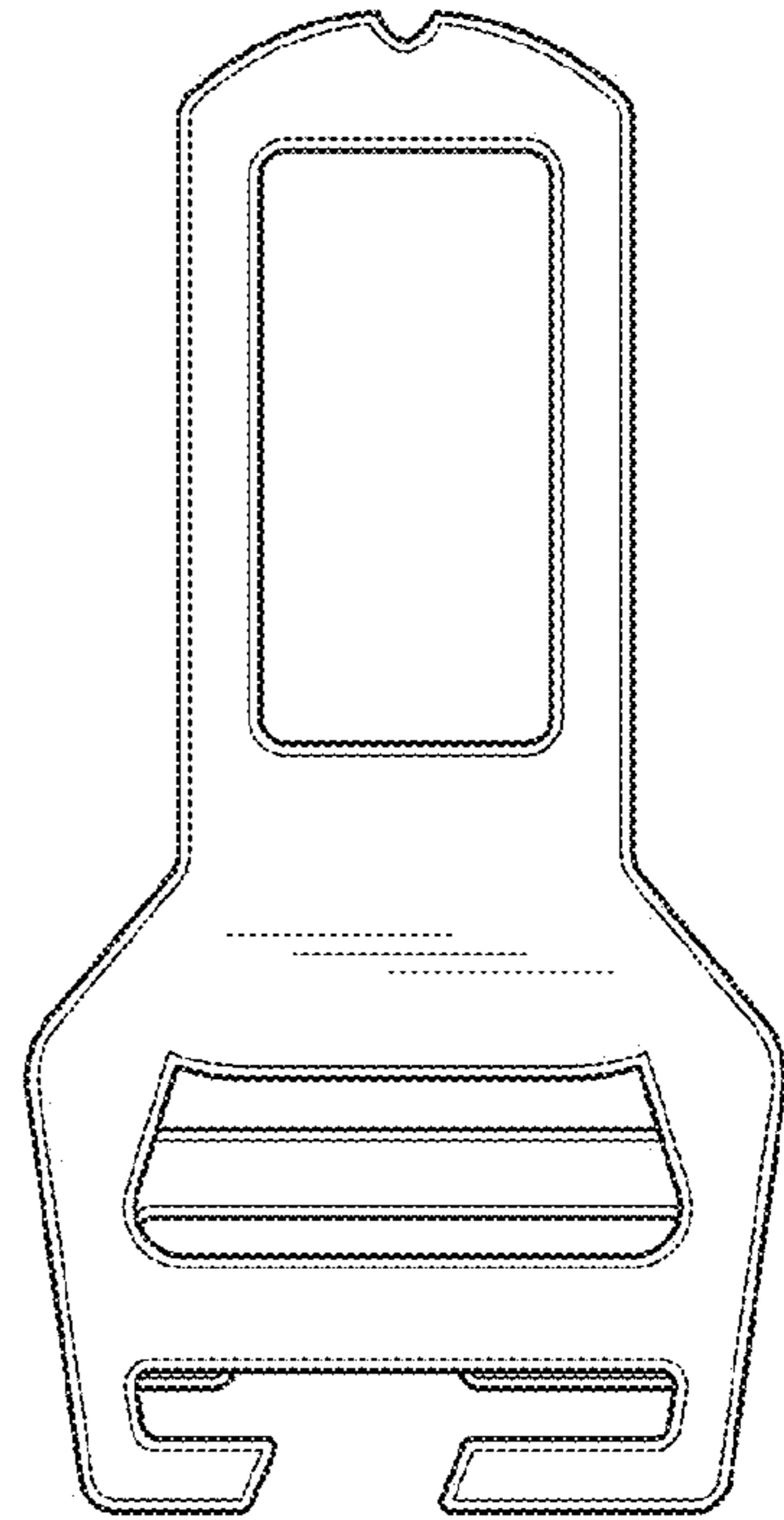


Fig. 14

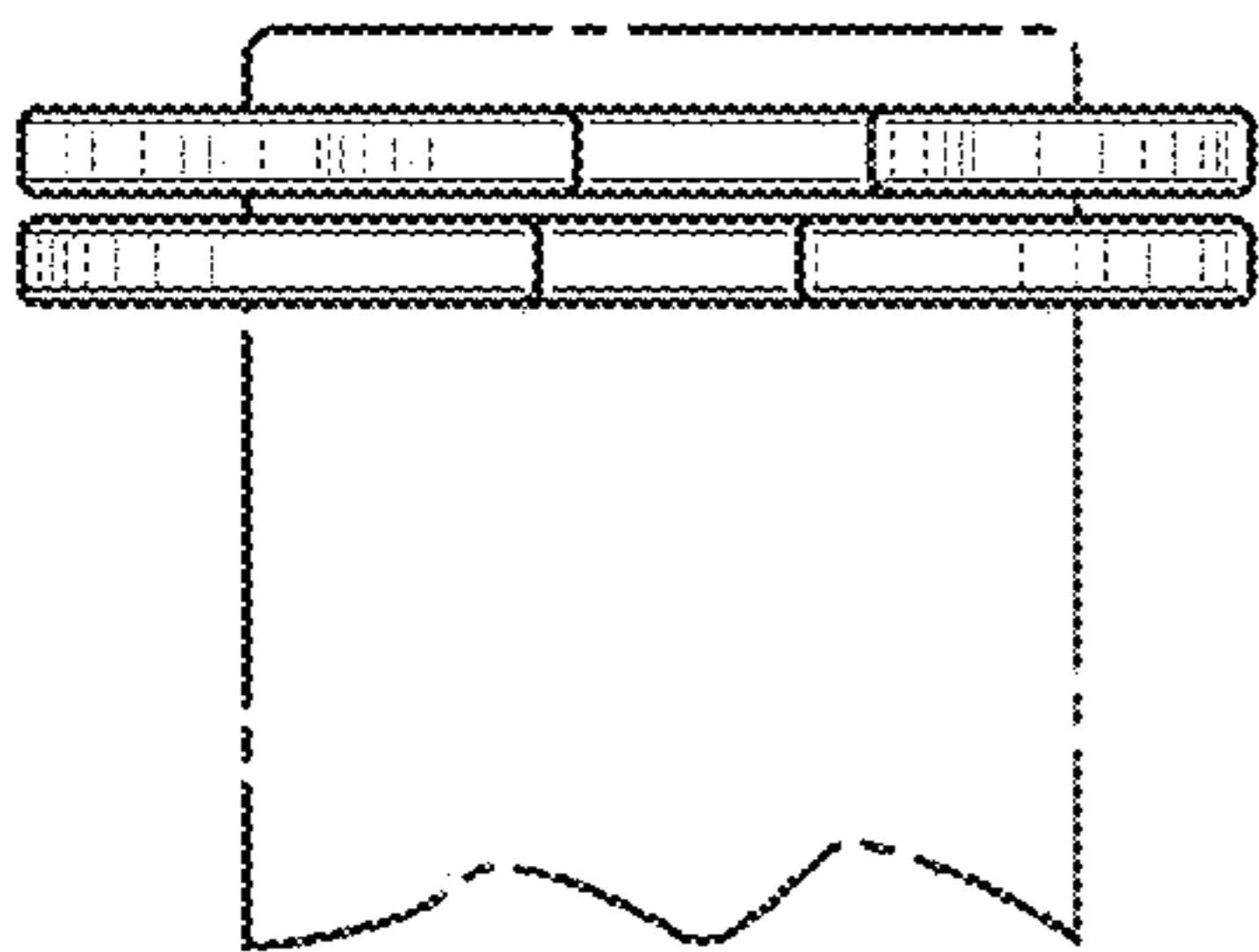


Fig. 15

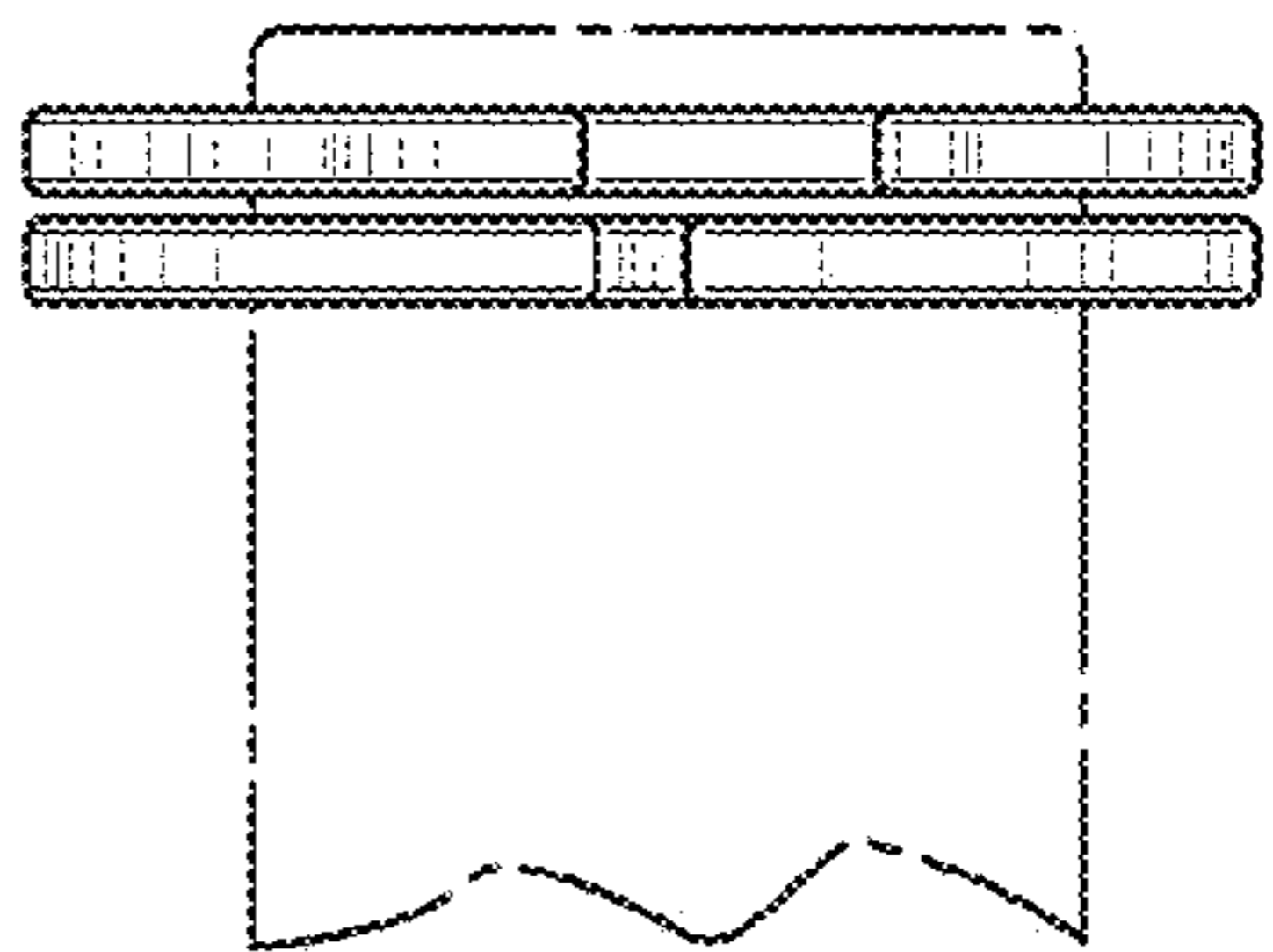


Fig. 16